

Service Manual

AV8003 / F B/K1B/N1B/U1B

AV Pre Tuner

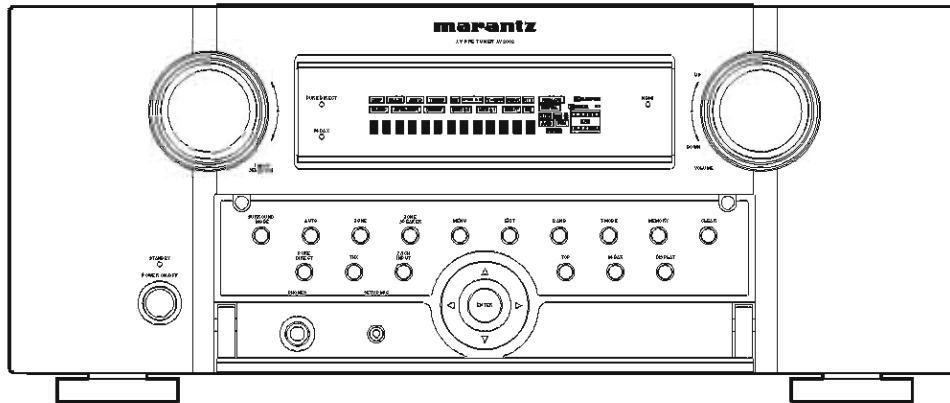


TABLE OF CONTENTS

SECTION	PAGE
1. TECHNICAL SPECIFICATIONS	1
2. TECHNICAL DESCRIPTION	9
3. SERVICE MODE	15
4. SYSTEM ERROR	17
5. DUAL BACKUP MEMORY	21
6. UPDATE FIRMWARE	22
Mode 1 : Update/Download MAIN CPU's software to internal Flash-ROM.....	24
Mode 2 : Update/Download DSP's software to Flash-ROM.....	30
Mode 3 : Update/Download HDMI CPU's software to internal Flash-ROM	36
Mode 4 : Update/Download HD Radio CPU's software to internal Flash-ROM.....	40
Mode 5 : Update/Download HD Radio Module's software	48
Mode 6 : Update/Download DMP Sub CPU's software to internal Flash-ROM	53
7. WIRING DIAGRAM	61
8. BLOCK DIAGRAM	63
9. SCHEMATIC DIAGRAM.....	67
10. PARTS LOCATION	101
11. EXPLODED VIEW AND PARTS LIST	135
12. MICROPROCESSOR AND IC DATA	139
13. ELECTRICAL PARTS LIST	183
14. ABOUT REPLACE THE MICROPROCESSOR WITH A NEW ONE	255

Please use this service manual with referring to the user guide (D.F.U.) without fail.
 修理の際は、必ず取扱説明書を準備し操作方法を確認の上作業を行ってください。

marantz®

AV8003

AV8003

MARANTZ DESIGN AND SERVICE

Using superior design and selected high grade components, **MARANTZ** company has created the ultimate in stereo sound. Only original **MARANTZ** parts can insure that your **MARANTZ** product will continue to perform to the specifications for which it is famous.

Parts for your **MARANTZ** equipment are generally available to our National Marantz Subsidiary or Agent.

ORDERING PARTS :

Parts can be ordered either by mail or by Fax.. In both cases, the correct part number has to be specified.

The following information must be supplied to eliminate delays in processing your order :

1. Complete address
2. Complete part numbers and quantities required
3. Description of parts
4. Model number for which part is required
5. Way of shipment
6. Signature : any order form or Fax. must be signed, otherwise such part order will be considered as null and void.

USA

MARANTZ AMERICA, INC
100 CORPORATE DRIVE
MAHWAH, NEW JERSEY 07430
USA

EUROPE / TRADING

MARANTZ EUROPE B.V.
P. O. BOX 8744, BUILDING SILVERPOINT
BEEMDSTRAAT 11, 5653 MA EINDHOVEN
THE NETHERLANDS
PHONE : +31 - 40 - 2507844
FAX : +31 - 40 - 2507860

CANADA

D&M CANADA INC.
5-505 APPLE CREEK BLVD.
MARKHAM, ONTARIO L3R 5B1
CANADA

JAPAN

D&M Holdings Inc.
D&M BUILDING, 2-1 NISSHIN-CHO,
KAWASAKI-KU, KAWASAKI-SHI,
KANAGAWA, 210-8569 JAPAN

株式会社 ディーアンドエムホールディングス

本社 〒210-8569
神奈川県川崎市川崎区日進町2-1 D&Mビル



KOREA

D&M SALES AND MARKETING KOREA LTD.
CHUNG JIN B/D., #1001,
53-5, WONHYORO 3 GA, YONGSAN-GU,
SEOUL, 140-719, KOREA
PHONE : +82 - 2 - 323 - 2155
FAX : +82 - 2 - 323 - 2154


CHINA

MARANTZ SHANGHAI TRADING LTD.
ROOM 506 SHANGHAI LIGHT INDUSTRY MANSION
1578 NANJING (WEST) ROAD SHANGHAI
CHINA
TEL : 021 - 6248 - 1064
FAX : 021 - 6248 - 3565

NOTE ON SAFETY :

Symbol  Fire or electrical shock hazard. Only original parts should be used to replaced any part marked with symbol  . Any other component substitution (other than original type), may increase risk of fire or electrical shock hazard.

安全上の注意 :

 がついている部品は、安全上重要な部品です。必ず指定されている部品番号のものを使用して下さい。

SHOCK, FIRE HAZARD SERVICE TEST :

CAUTION : After servicing this appliance and prior to returning to customer, measure the resistance between either primary AC cord connector pins (with unit NOT connected to AC mains and its Power switch ON), and the face or Front Panel of product and controls and chassis bottom.

Any resistance measurement less than 1 Megohms should cause unit to be repaired or corrected before AC power is applied, and verified before it is return to the user/customer.

Ref. UL Standard No. 60065

In case of difficulties, do not hesitate to contact the Technical Department at above mentioned address.

1. TECHNICAL SPECIFICATIONS

FM TUNER SECTION

Frequency Range 76.0 - 90.0 MHz [/F]
 87.5 - 108.0 MHz [/K/N]
 87.5 - 107.9 MHz [/U]
 Usable Sensitivity IHF 1.8 μ V/16.4 dBf
 Signal to Noise Ratio Mono/Stereo 75/70 dB
 Distortion Mono/Stereo 0.2/0.3 %
 HD Radio 0.02 % [/U]
 Stereo Separation 1 kHz 45 dB
 HD Radio 1 kHz 85 dB [/U]
 Alternate Channel Selectivity \pm 300 kHz 60 dB [/F/K/N]
 \pm 400 kHz 60 dB [/U]
 Image Rejection 98 MHz 70 dB [/F/K/N]
 98.1 MHz 70 dB [/U]
 Tuner Output Level 1 kHz, \pm 75 kHz Dev 800 mV

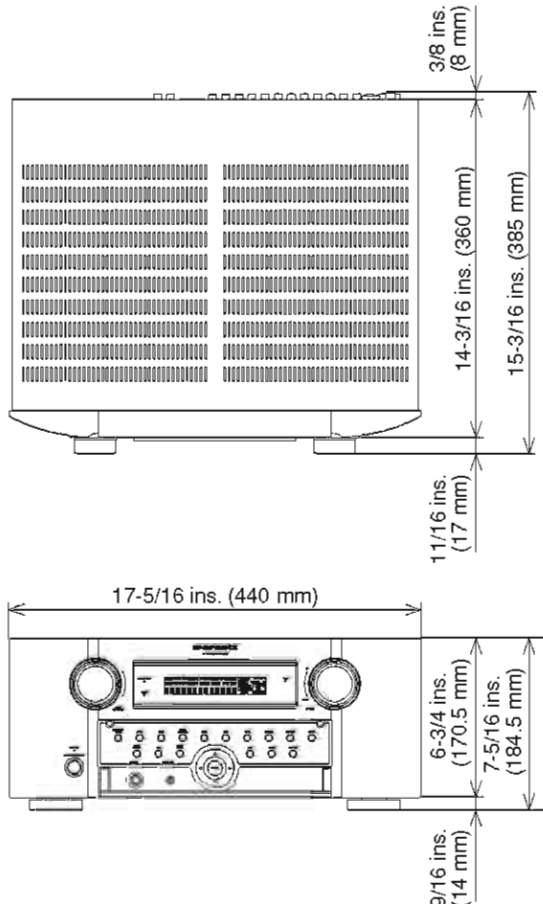
AM TUNER SECTION

Frequency Range 531 - 1602 kHz [/F/K/N]
 530 - 1710 kHz [/U]
 Signal to Noise Ratio 50 dB
 Usable Sensitivity Loop 400 μ V [/F/K/N]
 Loop 500 μ V [/U]
 Distortion 400Hz, 30 % Mod. 0.5 %
 Selectivity \pm 20 kHz 70 dB

HDMI SECTION

Version 1.3a [INPUT]
 1.3a [OUTPUT]

DIMENSIONS



AUDIO SECTION

Input Sensitivity/Impedance
 (Unbalanced) 200 mV/ 47 k ohms
 (Balanced) 400 mV/ 30 k ohms
 Output Level/Impedance
 (Unbalanced) 1 V/ 470 ohms
 (Balanced) 2 V/ 470 ohms
 Signal to Noise Ratio
 Analog Input / Pure Direct 105 dB
 Frequency Response
 Analog Input / Pure Direct 8 Hz - 100 kHz (\pm 3 dB)
 Digital Input / 96 kHz PCM 8 Hz - 45 kHz (\pm 3 dB)

VIDEO SECTION

Television Format NTSC/PAL
 Input Level/Impedance 1 Vp-p/75 ohms
 Output Level/Impedance 1 Vp-p/75 ohms
 Video Frequency Response 5 Hz to 8 MHz (- 1 dB)
 Video Frequency (Component) 5 Hz to 100 MHz (- 3 dB)
 S/N 60 dB

GENERAL

Power Requirement AC 100 V 50/60 Hz [/F]
 AC 220 V 50/60 Hz [/K]
 AC 230 V 50/60 Hz [/N]
 AC 120 V 60 Hz [/U]
 Power Consumption 85 W
 Standby Power Consumption (Normal) 1.0 W
 (Economy) 0.7 W
 Weight 11.6 kg

ACCESSORIES

Remote Controller RC2001 1
 Remote Controller RC101 1
 Microphone 1
 AAA-size alkaline batteries 4
 AAA-size dry batteries 2
 FM Antenna 1 [/F/K/N]
 FM Feeder Antenna 1 [/U]
 FM Antenna Converter 1 [/U]
 AM Loop Antenna 1 [/F/K/N]
 AM Loop Antenna for HD Radio 1 [/U]
 AC cable 1
 USB cable 1

 AV8003 User Guide 1
 AV8003 NETWORK User Guide 1
 Wizz.it3 User Guide 1 [/N/U]



SURROUND MODE

This unit is equipped with many surround modes. These are provided to reproduce a variety of surround sound effects, according to the content of the source to be played.

The available surround modes may be restricted depending on the input signal and speaker setup.

The relationship between the selected surround mode and the input signal

The surround mode is selected with the surround mode selector on the unit or the remote controller. However, the sound you hear is subject to the relationship between the selected surround mode and the input signal. That relationship is as follows:

Surround Mode	Input Signal	Decoding	Output Channel					Front information display	
			L/R	C	SL SR	SBL SBR	SubW	Signal format indicators	Channel status
AUTO	Dolby Surr.EX	Dolby Digital EX	○	○	○	○	○	□□ DIGITAL EX	L, C, R, SL, SR, S, LFE
	Dolby D (5.1ch)	Dolby Digital 5.1	○	○	○	-	○	□□ DIGITAL	L, C, R, SL, SR, LFE
	Dolby D (2ch)	Dolby Digital 2.0	○	-	-	-	○	□□ DIGITAL	L, R
	Dolby D (2ch Surr)	Pro Logic IIx movie	○	○	○	○	○	□□ DIGITAL □□ SURROUND	L, R, S
	Dolby Digital Plus (5.1ch)	Dolby Digital +	○	○	○	-	○	□□ DIGITAL	L, C, R, SL, SR, LFE
	Dolby Digital Plus (6.1ch)	Dolby Digital +	○	○	○	○	○	□□ DIGITAL	L, C, R, SL, SR, S, LFE
	Dolby Digital Plus (7.1)	Dolby Digital +	○	○	○	○	○	□□ DIGITAL	L, C, R, SL, SR, S, LFE
	Dolby TrueHD (5.1ch)	Dolby TrueHD	○	○	○	-	○	□□ DIGITAL	Depend on speaker setup
	Dolby TrueHD (6.1ch)	Dolby TrueHD	○	○	○	○	○	□□ DIGITAL	Depend on speaker setup
	Dolby TrueHD (7.1ch)	Dolby TrueHD	○	○	○	○	○	□□ DIGITAL	Depend on speaker setup
	DTS-ES	DTS-ES	○	○	○	○	○	dtS, ES	L, C, R, SL, SR, S, LFE
	DTS 96/24	DTS-96/24	○	○	○	-	○	dtS 96/24	L, C, R, SL, SR, LFE
	DTS (5.1ch)	DTS 5.1	○	○	○	-	○	dtS	L, C, R, SL, SR, LFE
	DTS-HD (5.1)	DTS-HD	○	○	○	-	○	dtS	L, C, R, SL, SR, LFE
	DTS-HD (6.1)	DTS-HD	○	○	○	○	○	dtS	L, C, R, SL, SR, S, LFE
	DTS-HD (7.1)	DTS-HD	○	○	○	○	○	dtS	L, C, R, SL, SR, S, LFE
	Multi Ch-PCM	Multi Ch-PCM	○	○	○	-	○	PCM	L, C, R, SL, SR, LFE
	Multi Ch-PCM 96kHz	Multi Ch-PCM 96kHz	○	○	○	-	○	PCM	L, C, R, SL, SR, LFE
	SA-CD (5.1ch)	Multi Ch-PCM	○	○	○	-	○		L, C, R, SL, SR, LFE
	SA-CD (2ch)	PCM (Stereo)	○	-	-	-	○		L, R
PCM (Audio)	PCM (Stereo)	○	-	-	-	○	PCM	L, R	
PCM 96kHz	PCM (Stereo 96kHz)	○	-	-	-	○	PCM	L, R	
HDCD	HDCD	○	-	-	-	○	PCM, HDCD	L, R	
Analog	Stereo	○	-	-	-	○	ANALOG	-	
7.1ch input	Multi Ch	○	○	○	○	○	ANALOG	-	
SOURCE DIRECT PURE DIRECT	Dolby Surr.EX	Dolby Digital EX	○	○	○	○	○	□□ DIGITAL EX	L, C, R, SL, SR, S, LFE
	Dolby D (5.1ch)	Dolby Digital 5.1	○	○	○	-	○	□□ DIGITAL	L, C, R, SL, SR, LFE
	Dolby D (2ch)	Dolby Digital 2.0	○	-	-	-	○	□□ DIGITAL	L, R
	Dolby D (2ch Surr)	Pro Logic IIx movie	○	○	○	○	○	□□ DIGITAL □□ SURROUND	L, R, S
	Dolby Digital Plus (5.1)	Dolby Digital +	○	○	○	-	○	□□ DIGITAL	L, C, R, SL, SR, LFE
	Dolby Digital Plus (6.1)	Dolby Digital +	○	○	○	○	○	□□ DIGITAL	L, C, R, SL, SR, S, LFE
	Dolby Digital Plus (7.1)	Dolby Digital +	○	○	○	○	○	□□ DIGITAL	L, C, R, SL, SR, S, LFE
	Dolby TrueHD (5.1)	Dolby TrueHD	○	○	○	-	○	□□ DIGITAL	Depend on speaker setup
	Dolby TrueHD (6.1)	Dolby TrueHD	○	○	○	○	○	□□ DIGITAL	Depend on speaker setup
	Dolby TrueHD (7.1)	Dolby TrueHD	○	○	○	○	○	□□ DIGITAL	Depend on speaker setup
	DTS-ES	DTS-ES	○	○	○	○	○	dtS, ES	L, C, R, SL, SR, S, LFE
	DTS 96/24	DTS-96/24	○	○	○	-	○	dtS 96/24	L, C, R, SL, SR, LFE
	DTS (5.1ch)	DTS 5.1	○	○	○	-	○	dtS	L, C, R, SL, SR, LFE
	DTS-HD (5.1)	DTS-HD	○	○	○	-	○	dtS	L, C, R, SL, SR, LFE
	DTS-HD (6.1)	DTS-HD	○	○	○	○	○	dtS	L, C, R, SL, SR, S, LFE
	DTS-HD (7.1)	DTS-HD	○	○	○	○	○	dtS	L, C, R, SL, SR, S, LFE
	Multi Ch-PCM	Multi Ch-PCM	○	○	○	-	○	PCM	L, C, R, SL, SR, LFE
	Multi Ch-PCM 96kHz	Multi Ch-PCM 96kHz	○	○	○	-	○	PCM	L, C, R, SL, SR, LFE
	SA-CD (5.1ch)	Multi Ch-PCM	○	○	○	-	○		L, C, R, SL, SR, LFE
	SA-CD (2ch)	PCM (Stereo)	○	-	-	-	-		L, R
PCM (Audio)	PCM (Stereo)	○	-	-	-	-	PCM	L, R	
PCM 96kHz	PCM (Stereo 96kHz)	○	-	-	-	-	PCM	L, R	
HDCD	HDCD	○	-	-	-	-	PCM, HDCD	L, R	
Analog	Stereo	○	-	-	-	-	ANALOG	-	
7.1ch input	Multi Ch	○	○	○	○	○	ANALOG	-	
EX/ES	Dolby Surr.EX	Dolby Digital EX	○	○	○	○	○	□□ DIGITAL EX	L, C, R, SL, SR, S, LFE
	Dolby D (5.1ch)	Dolby Digital EX	○	○	○	○	○	□□ DIGITAL	L, C, R, SL, SR, LFE
	Dolby Digital Plus (5.1)	Dolby Digital + Dolby Digital EX	○	○	○	○	○	□□ DIGITAL	L, C, R, SL, SR, LFE
	Dolby TrueHD (5.1)	Dolby TrueHD + Dolby Digital EX	○	○	○	○	○	□□ DIGITAL	Depend on speaker setup
	DTS-ES	DTS-ES	○	○	○	○	○	dtS, ES	L, C, R, SL, SR, S, LFE
	DTS (5.1ch)	DTS-ES	○	○	○	○	○	dtS	L, C, R, SL, SR, LFE
	Multi-PCM	Multi Ch-PCM + Dolby Digital EX	○	○	○	○	○	PCM	L, C, R, SL, SR, LFE
	SA-CD (5.1ch)	Multi Ch-PCM + Dolby Digital EX	○	○	○	○	○		L, C, R, SL, SR, LFE

Surround Mode	Input Signal	Decoding	Output Channel					Front information display	
			L/R	C	SL SR	SBL SBR	SubW	Signal format indicators	Channel status
DOLBY (PLIIx movie) (PLIIx music) (PLIIx game)	Dolby Surr.EX	Dolby Digital EX	○	○	○	-	○	□□ DIGITAL EX	L, C, R, SL, SR, S, LFE
	Dolby D (5.1ch)	Dolby Digital 5.1	○	○	○	-	○	□□ DIGITAL	L, C, R, SL, SR, LFE
	Dolby D (5.1ch)	Dolby Digital 5.1 + PLIIx	○	○	○	○	○	□□ DIGITAL	L, C, R, SL, SR, LFE
	Dolby D (2ch)	Pro Logic IIx	○	○	○	○	○	□□ DIGITAL	L, R
	Dolby D (2ch Surr)	Pro Logic IIx	○	○	○	○	○	□□ DIGITAL □□ SURROUND	L, R, S
	Dolby Digital Plus (5.1)	DolbyDigital +	○	○	○	-	○	□□ DIGITAL	L, C, R, SL, SR, LFE
	Dolby Digital Plus (6.1)	DolbyDigital +	○	○	○	○	○	□□ DIGITAL	L, C, R, SL, SR, S, LFE
	Dolby Digital Plus (7.1)	DolbyDigital +	○	○	○	○	○	□□ DIGITAL	L, C, R, SL, SR, S, LFE
	Dolby TrueHD (5.1)	DolbyTrueHD	○	○	○	-	○	□□ DIGITAL	Depend on speaker setup
	Dolby TrueHD (6.1)	DolbyTrueHD	○	○	○	○	○	□□ DIGITAL	Depend on speaker setup
	Dolby TrueHD (7.1)	DolbyTrueHD	○	○	○	○	○	□□ DIGITAL	Depend on speaker setup
	Multi Ch-PCM	Multi Ch-PCM + PLIIx	○	○	○	○	○	PCM	L, C, R, SL, SR, LFE
	SA-CD (5.1ch)	Multi Ch-PCM + PLIIx	○	○	○	○	○		L, C, R, SL, SR, LFE
	SA-CD (2ch)	Pro Logic IIx	○	○	○	○	○		L, R
	PCM (Audio)	Pro Logic IIx	○	○	○	○	○	PCM	L, R
	HDCD	Pro Logic IIx	○	○	○	○	○	PCM, HDCD	L, R
Analog	Pro Logic IIx	○	○	○	○	○	ANALOG	-	
DTS (Neo:6 Cinema) (Neo:6 Music)	DTS-ES	DTS 5.1	○	○	○	-	○	dts ES	L, C, R, SL, SR, S, LFE
	DTS 96/24	DTS-96/24	○	○	○	-	○	dts 96/24	L, C, R, SL, SR, LFE
	DTS (5.1ch)	DTS 5.1	○	○	○	-	○	dts	L, C, R, SL, SR, LFE
	DTS-HD(5.1)	DTS-HD	○	○	○	-	○	dts	L, C, R, SL, SR, LFE
	DTS-HD(6.1)	DTS-HD	○	○	○	○	○	dts	L, C, R, SL, SR, S, LFE
	DTS-HD(7.1)	DTS-HD	○	○	○	○	○	dts	L, C, R, SL, SR, S, LFE
	Dolby D (2ch)	Neo:6	○	○	○	○	○	□□ DIGITAL	L, R
	Dolby D (2ch Surr)	Neo:6	○	○	○	○	○	□□ DIGITAL □□ SURROUND	L, R, S
	SA-CD (2ch)	Neo:6	○	○	○	○	○		L, R
	PCM (Audio)	Neo:6	○	○	○	○	○	PCM	L, R
	HDCD	Neo:6	○	○	○	○	○	PCM, HDCD	L, R
Analog	Neo:6	○	○	○	○	○	ANALOG	-	
CSII Cinema CSII Music CSII Mono	Dolby D (2ch)	CSII	○	○	○	○	○	□□ DIGITAL	L, R
	Dolby D (2ch Surr)	CSII	○	○	○	○	○	□□ DIGITAL □□ SURROUND	L, R, S
	SA-CD (2ch)	CSII	○	○	○	○	○		L, R
	PCM (Audio)	CSII	○	○	○	○	○	PCM	L, R
	HDCD	CSII	○	○	○	○	○	PCM, HDCD	L, R
Analog	CSII	○	○	○	○	○	ANALOG	-	
STEREO	Dolby Surr.EX	Stereo	○	-	-	-	○	□□ DIGITAL EX	L, C, R, SL, SR, S, LFE
	Dolby D (5.1ch)	Stereo	○	-	-	-	○	□□ DIGITAL	L, C, R, SL, SR, LFE
	Dolby D (2ch)	Stereo	○	-	-	-	○	□□ DIGITAL	L, R
	Dolby D (2ch Surr)	Stereo	○	-	-	-	○	□□ DIGITAL □□ SURROUND	L, R, S
	Dolby Digital Plus (5.1)	Stereo	○	-	-	-	○	□□ DIGITAL	L, C, R, SL, SR, LFE
	Dolby Digital Plus (6.1)	Stereo	○	-	-	-	○	□□ DIGITAL	L, C, R, SL, SR, S, LFE
	Dolby Digital Plus (7.1)	Stereo	○	-	-	-	○	□□ DIGITAL	L, C, R, SL, SR, S, LFE
	Dolby TrueHD (5.1)	Stereo	○	-	-	-	○	□□ DIGITAL	Depend on speaker setup
	Dolby TrueHD (6.1)	Stereo	○	-	-	-	○	□□ DIGITAL	Depend on speaker setup
	Dolby TrueHD (7.1)	Stereo	○	-	-	-	○	□□ DIGITAL	Depend on speaker setup
	DTS-ES	Stereo	○	-	-	-	○	dts ES	L, C, R, SL, SR, S, LFE
	DTS 96/24	Stereo	○	-	-	-	○	dts 96/24	L, C, R, SL, SR, LFE
	DTS (5.1ch)	Stereo	○	-	-	-	○	dts	L, C, R, SL, SR, LFE
	DTS-HD (5.1)	Stereo	○	-	-	-	○	dts	L, C, R, SL, SR, LFE
	DTS-HD (6.1)	Stereo	○	-	-	-	○	dts	L, C, R, SL, SR, S, LFE
	DTS-HD (7.1)	Stereo	○	-	-	-	○	dts	L, C, R, SL, SR, S, LFE
	Multi Ch-PCM	Stereo	○	-	-	-	○	PCM	L, C, R, SL, SR, LFE
	Multi Ch-PCM 96kHz	Stereo	○	-	-	-	○	PCM	L, C, R, SL, SR, LFE
	SA-CD (5.1ch)	Stereo	○	-	-	-	○		L, C, R, SL, SR, LFE
	SA-CD (2ch)	Stereo	○	-	-	-	○		L, R
PCM (Audio)	Stereo	○	-	-	-	○	PCM	L, R	
PCM 96kHz	Stereo	○	-	-	-	○	PCM	L, R	
HDCD	Stereo	○	-	-	-	○	PCM, HDCD	L, R	
Analog	Stereo	○	-	-	-	○	ANALOG	-	
Dolby Virtual Speaker	Dolby Surr.EX	Dolby Virtual Speaker	○	-	-	-	-	□□ DIGITAL EX	L, C, R, SL, SR, S, LFE
	Dolby D (5.1ch)	Dolby Virtual Speaker	○	-	-	-	-	□□ DIGITAL	L, C, R, SL, SR, LFE
	Dolby D (2ch)	Dolby Virtual Speaker	○	-	-	-	-	□□ DIGITAL	L, R
	Dolby D (2ch Surr)	Dolby Virtual Speaker	○	-	-	-	-	□□ DIGITAL □□ SURROUND	L, R, S
	DTS-ES	Dolby Virtual Speaker	○	-	-	-	-	dts ES	L, C, R, SL, SR, S, LFE
	DTS 96/24	Dolby Virtual Speaker	○	-	-	-	-	dts 96/24	L, C, R, SL, SR, LFE
	DTS (5.1ch)	Dolby Virtual Speaker	○	-	-	-	-	dts	L, C, R, SL, SR, LFE
	Multi Ch-PCM	Dolby Virtual Speaker	○	-	-	-	-	PCM	L, C, R, SL, SR, LFE
	SA-CD (5.1ch)	Dolby Virtual Speaker	○	-	-	-	-		L, C, R, SL, SR, LFE
	SA-CD (2ch)	Dolby Virtual Speaker	○	-	-	-	-		L, R
	PCM (Audio)	Dolby Virtual Speaker	○	-	-	-	-	PCM	L, R
	HDCD	Dolby Virtual Speaker	○	-	-	-	-	PCM, HDCD	L, R
	Analog	Dolby Virtual Speaker	○	-	-	-	-	ANALOG	-
Multi Ch. Movie Music (O): Movie mode only	Dolby Surr.EX	Dolby Digital EX	○	(○)	○	○	○	□□ DIGITAL EX	L, C, R, SL, SR, S, LFE
	Dolby D (5.1ch)	Dolby Digital 5.1	○	(○)	○	-	○	□□ DIGITAL	L, C, R, SL, SR, LFE
	Dolby D (2ch)	Multi Channel	○	(○)	○	○	○	□□ DIGITAL	L, R
	Dolby D (2ch Surr)	Multi Channel	○	(○)	○	○	○	□□ DIGITAL □□ SURROUND	L, R, S

Surround Mode	Input Signal	Decoding	Output Channel					Front information display		
			L/R	C	SL SR	SBL SBR	SubW	Signal format indicators	Channel status	
Multi Ch. Movie Music	DTS-ES	DTS-ES	○	(○)	○	○	○	○	dts, ES	L, C, R, SL, SR, S, LFE
	DTS 96/24	DTS-96/24	○	(○)	○	-	○	○	dts 96/24	L, C, R, SL, SR, LFE
	DTS (5.1ch)	DTS 5.1	○	(○)	○	-	○	○	dts	L, C, R, SL, SR, LFE
	Multi Ch-PCM	Multi Ch-PCM	○	(○)	○	-	○	○	PCM	L, C, R, SL, SR, LFE
	Multi Ch-PCM 96kHz	Multi Ch-PCM 96kHz	○	(○)	○	-	○	○	PCM	L, C, R, SL, SR, LFE
	SA-CD (5.1ch)	Multi Ch-PCM	○	(○)	○	-	○	○		L, C, R, SL, SR, LFE
	SA-CD (2ch)	Multi Channel	○	(○)	○	○	○	○		L, R
	PCM (Audio)	Multi Channel	○	(○)	○	○	○	○	PCM	L, R
	HDCD	Multi Channel	○	(○)	○	○	○	○	PCM, HDCD	L, R
	Analog	Multi Channel	○	(○)	○	○	○	○	ANALOG	-
(O): Movie mode only										
Dolby H.P	Dolby Surr.EX	Dolby H.P	○	-	-	-	-	-	Ⓜ DIGITAL EX	L, C, R, SL, SR, S, LFE
	Dolby D (5.1ch)	Dolby H.P	○	-	-	-	-	-	Ⓜ DIGITAL	L, C, R, SL, SR, LFE
	Dolby D (2ch)	Dolby H.P	○	-	-	-	-	-	Ⓜ DIGITAL	L, R
	Dolby D (2ch Sur)	Dolby H.P	○	-	-	-	-	-	Ⓜ DIGITAL Ⓜ SURROUND	L, R, S
	Dolby Digital Plus (5.1)	Stereo	○	-	-	-	-	-	Ⓜ DIGITAL	L, C, R, SL, SR, LFE
	Dolby Digital Plus (6.1)	Stereo	○	-	-	-	-	-	Ⓜ DIGITAL	L, C, R, SL, SR, S, LFE
	Dolby Digital Plus (7.1)	Stereo	○	-	-	-	-	-	Ⓜ DIGITAL	L, C, R, SL, SR, S, LFE
	Dolby TrueHD (5.1)	Stereo	○	-	-	-	-	-	Ⓜ DIGITAL	Depend on speaker setup
	Dolby TrueHD (6.1)	Stereo	○	-	-	-	-	-	Ⓜ DIGITAL	Depend on speaker setup
	Dolby TrueHD (7.1)	Stereo	○	-	-	-	-	-	Ⓜ DIGITAL	Depend on speaker setup
	DTS-ES	Dolby H.P	○	-	-	-	-	-	dts, ES	L, C, R, SL, SR, S, LFE
	DTS 96/24	Dolby H.P	○	-	-	-	-	-	dts 96/24	L, C, R, SL, SR, LFE
	DTS (5.1ch)	Dolby H.P	○	-	-	-	-	-	dts	L, C, R, SL, SR, LFE
	DTS-HD (5.1)	Stereo	○	-	-	-	-	-	dts	L, C, R, SL, SR, LFE
	DTS-HD (6.1)	Stereo	○	-	-	-	-	-	dts	L, C, R, SL, SR, S, LFE
	DTS-HD (7.1)	Stereo	○	-	-	-	-	-	dts	L, C, R, SL, SR, S, LFE
	Multi Ch-PCM	Dolby H.P	○	-	-	-	-	-	PCM	L, C, R, SL, SR, LFE
	SA-CD (5.1ch)	Dolby H.P	○	-	-	-	-	-		L, C, R, SL, SR, LFE
	SA-CD (2ch)	Dolby H.P	○	-	-	-	-	-		L, R
	PCM (Audio)	Dolby H.P	○	-	-	-	-	-	PCM	L, R
HDCD	Dolby H.P	○	-	-	-	-	-	PCM, HDCD	L, R	
Analog	Dolby H.P	○	-	-	-	-	-	ANALOG	-	
THX (AUTO)	Dolby Surr.EX	Dolby Digital + THX Surround EX	○	○	○	○	○	○	Ⓜ DIGITAL EX	L, C, R, SL, SR, S, LFE
	Dolby D (5.1ch)	Dolby Digital 5.1+ THX Ultra2 Cinema	○	○	○	○	○	○	Ⓜ DIGITAL	L, C, R, SL, SR, LFE
	Dolby D (2ch)	Pro Logic IIx movie + THX	○	○	○	○	○	○	Ⓜ DIGITAL	L, R
	Dolby D (2ch Sur)	Pro Logic IIx movie + THX	○	○	○	○	○	○	Ⓜ DIGITAL Ⓜ SURROUND	L, R, S
	DTS-ES	DTS-ES + THX	○	○	○	○	○	○	dts, ES	L, C, R, SL, SR, S, LFE
	DTS (5.1ch)	DTS + THX Ultra2 Cinema	○	○	○	○	○	○	dts	L, C, R, SL, SR, LFE
	Multi Ch-PCM	Multi Ch-PCM + THX Ultra2 Cinema	○	○	○	○	○	○	PCM	L, C, R, SL, SR, LFE
	SA-CD (5.1ch)	Multi Ch-PCM + THX Ultra2 Cinema	○	○	○	○	○	○		L, C, R, SL, SR, LFE
	SA-CD (2ch)	Pro Logic IIx movie + THX	○	○	○	○	○	○		L, R
	PCM (Audio)	Pro Logic IIx movie + THX	○	○	○	○	○	○	PCM	L, R
HDCD	Pro Logic IIx movie + THX	○	○	○	○	○	○	PCM, HDCD	L, R	
Analog	Pro Logic IIx movie + THX	○	○	○	○	○	○	ANALOG	-	
THX Ultra2 (THX EX) (THX Cinema) (THX Music) (THX Games)	Dolby Surr.EX	Dolby Digital + THX Surround EX	○	○	○	○	○	○	Ⓜ DIGITAL EX	L, C, R, SL, SR, S, LFE
	Dolby D (5.1ch)	Dolby Digital 5.1+ THX Ultra2 Cinema	○	○	○	○	○	○	Ⓜ DIGITAL	L, C, R, SL, SR, LFE
	Dolby D (2ch)	Pro Logic IIx movie + THX	○	○	○	○	○	○	Ⓜ DIGITAL	L, R
	Dolby D (2ch Sur)	Pro Logic IIx movie + THX	○	○	○	○	○	○	Ⓜ DIGITAL Ⓜ SURROUND	L, R, S
	DTS-ES	DTS-ES + THX	○	○	○	○	○	○	dts, ES	L, C, R, SL, SR, S, LFE
	DTS (5.1ch)	DTS + THX Ultra2 Cinema	○	○	○	○	○	○	dts	L, C, R, SL, SR, LFE
	Multi Ch-PCM	Multi Ch-PCM + THX Ultra2 Cinema	○	○	○	○	○	○	PCM	L, C, R, SL, SR, LFE
	SA-CD (5.1ch)	Multi Ch-PCM + THX Ultra2 Cinema	○	○	○	○	○	○		L, C, R, SL, SR, LFE
	SA-CD (2ch)	Pro Logic IIx movie + THX	○	○	○	○	○	○		L, R
	PCM (Audio)	Pro Logic IIx movie + THX	○	○	○	○	○	○	PCM	L, R
HDCD	Pro Logic IIx movie + THX	○	○	○	○	○	○	PCM, HDCD	L, R	
Analog	Pro Logic IIx movie + THX	○	○	○	○	○	○	ANALOG	-	

Notes:

- Surround modes other than Stereo are not available during Dolby TrueHD, Dolby Digital Plus, or DTS-HD playback.
- If surround modes other than Stereo are selected and Dolby TrueHD, Dolby Digital Plus, or DTS-HD content is played, the surround mode setting is disabled.

Abbreviations

- L/R : Front speakers
- C : Center speaker
- SL/SR : Surround speakers
- SBL/SBR : Surround back speakers
- SubW : Subwoofer

AUTO

When this mode is selected, the unit determines whether the digital input signal is Dolby Digital, Dolby Digital Surround EX, Dolby Digital Plus, Dolby TrueHD, DTS-HD, DTS, DTS-ES, DTS 96/24 or PCM audio.

Surround EX & DTS-ES will operate for multichannel sources that have a Dolby Digital Surround EX or DTS-ES auto trigger flag in the digital signal.

When a Dolby Digital or DTS signal is input, the number of channels for which the corresponding signal is encoded will be played.

Inputting a Dolby Digital two channel signal with Dolby surround status automatically subjects that signal to Pro Logic IIx movie processing before play. PCM 96 kHz source material can be played in this mode.

Notes:

- When you use this mode with certain DVD and CD players, performing operations such as skip or stop may momentarily interrupt the output.
- When the signal is not decoded, the mode is changed to AUTO mode automatically.

SOURCE DIRECT

In the Source Direct mode, the tone control circuit Acoustic EQ, and bass management configuration are bypassed for full-range frequency response and the purist audio reproduction.

Notes:

- Speaker size is set to Front L/R = LARGE, Center = LARGE, Surround L/R = LARGE and Subwoofer = YES automatically. Tone controls, equalizer and additional processing are deactivated.
- When you use this mode with certain DVD and CD players, performing operations such as skip or stop may momentarily interrupt the output.
- In SOURCE DIRECT mode, ACOUSTIC EQ and M-DAX are not available.

PURE DIRECT

The Pure Direct mode further reduces sources of noise in addition to effect of the Source Direct mode, by blocking output from the video jacks (VIDEO, S-VIDEO, COMPONENT VIDEO and HDMI) and turning the FL display off.

Note:

- In PURE DIRECT mode, ACOUSTIC EQ and M-DAX are not available.

EX/ES

This mode provides 6.1 channel surround for Dolby Digital EX, and DTS-ES-encoded source material such as DVD.

This mode cannot be used when an analog input has been selected.

Dolby Digital EX

In a movie theater, film soundtracks that have been encoded with Dolby Digital Surround EX technology are able to reproduce an extra channel which has been added during the mixing of the program.

This channel, called surround back, places sounds behind the listener in addition to the currently available front left, front center, front right, surround right, surround left and subwoofer channels.

This additional channel provides the opportunity for more detailed imaging behind the listener and brings more depth, spacious ambience and sound localization than ever before.

Dolby Digital EX is not available in systems that do not have without surround back speaker(s).

DTS-ES (Discrete 6.1, Matrix 6.1)

DTS-ES adds the surround center channel audio to the DTS 5.1 channel format to improve the acoustic positioning, and makes acoustic image movement more natural with the 6.1 channel reproduction.

This unit incorporates a DTS-ES-decoder, which can handle DTS-ES Discrete-encoded and DTS-ES Matrix-encoded program sources from DVD, etc.

DTS-ES Discrete 6.1 features digital discrete recording of all channels, including the surround back channel(s), and higher quality audio reproduction.

DTS-ES is not available in systems that do not have surround back speakers.

Dolby MODE

(Dolby Digital, Pro Logic IIx MOVIE, Pro Logic IIx MUSIC, Pro Logic IIx GAME)

This mode is used with source materials encoded in Dolby Digital and Dolby Surround.

DOLBY DIGITAL

This mode is enabled when playing source materials encoded in Dolby Digital.

Playing multichannel-encoded 5.1 channel Dolby Digital sources provides 5 main audio channels (left, center, right, surround left and surround right) and a Low Frequency Effect channel.

Dolby Digital EX decoding is not available in this mode.

Dolby Pro Logic IIx has 5 modes:

Pro Logic IIx MOVIE

This mode provides 6.1 or 7.1 channel surround sound from Dolby Surround, encoded stereo movie soundtracks.

Pro Logic IIx MUSIC

This mode provides 6.1 or 7.1 channel surround sound from conventional stereo sources (analog or digital), such as CD, tape, FM, TV, stereo VCR, etc.

Pro Logic IIx GAME

This mode restores the impact low-frequency surround effects by routing them to the system's subwoofer.

5.1ch + Pro Logic IIx Movie

This mode provides 7.1 channel surround sound from 5.1 channel sources movie soundtracks.

5.1ch + Pro Logic IIx Music

This mode provides 6.1 or 7.1 channel surround sound from 5.1 channel sources music soundtracks.

Notes:

- Pro Logic IIx mode will decode as Pro Logic II mode when the SURR. B is set to "NONE" from SPEAKER SETUP menu.
- Pro Logic IIx mode is available for a 2 channel input signal which is encoded in Dolby Digital, HDCD or PCM format.

dts

dts, Neo:6 Cinema, Neo:6 Music

This mode is for DTS-encoded source materials such as laserdisc, CD and DVD. Neo:6 is for some 2 channel sources.

dts

This mode is enabled when playing source materials encoded in dts multichannel.

Playing multichannel encoded-5.1 channel dts sources provides five main audio channels (left, center, right, surround left and surround right) and a Low Frequency Effects channel.

dts-ES decoding is not available in this mode.

The DTS mode cannot be used when an analog input has been selected.

Neo:6 Cinema, Neo:6 Music

This mode decodes 2 channel signals into 6 channel signals using high-accuracy digital matrix technology. The DTS Neo:6 decoder has near-discrete properties in the frequency characteristics of the channels as well as in channel separation.

According to the signals to be played back, DTS Neo:6 uses either the Neo:6 Cinema mode optimized for movie playback or the Neo:6 Music mode optimized for music playback.

Note:

- The Neo:6 mode is available for 2 channel input signals which are encoded in Dolby Digital, HDCD or PCM format.

CIRCLE SURROUND II

(CSII-CINEMA, CSII-MUSIC, CSII-MONO)

Circle Surround is designed to enable multichannel surround sound playback of non-encoded and multichannel encoded material.

Backward compatibility provides listeners with up to 6.1 channels of surround performance from an entire collection of music and film, including broadcast, videotape and stereo recorded music.

Depending on source material, you can select CSII-Cinema mode, CSII-Music mode or CSII-Mono mode.

Note:

- The CS II mode is available for 2 channel input signals which are encoded in Dolby Digital, HDCD or PCM format.

STEREO

This mode bypasses all surround processing. In stereo program sources, the left and right channels play normally when PCM audio or analog stereo is input.

With Dolby Digital and DTS sources, the 5.1 channels are converted to two channel stereo. 96 kHz PCM source material can be played back in stereo mode.

Dolby Virtual Speaker

Dolby Virtual Speaker technology uses proprietary technology of Dolby Laboratories to create a virtual surround sound field using only two speakers for the front channels, allowing the user to experience sound as if surround speakers were actually being used.

MULTI CH. (MOVIE, MUSIC)

This mode is used to create a wider, deeper and more natural soundstage from two channel source material. This is done by feeding the left channel signal to both the left front and left surround speakers and the right channel signal to both the right front and right surround speakers. Additionally, the center channel reproduces a mix of the right and left channels.

Note:

- Audio is not output from the CENTER channel when using MULTI CH. MUSIC mode.

THX CINEMA

THX Cinema mode applies additional processing to Dolby Digital, DTS and Dolby Pro Logic multi-channel, surround sources. The THX processing was developed by THX Ltd. to recreate the sound of top-quality theater.

Use the THX Cinema mode for all movies on disc, tape or broadcast. In this mode, the THX Surround EX mode is not available.

THX SURROUND EX

In a movie theater, film soundtracks that have been encoded with Dolby Digital Surround EX technology are able to reproduce an extra channel which has been added during the mixing of the program.

This channel, called Surround Back, places sounds behind the listener in addition to the currently available front left, front center, front right, surround right, surround left and subwoofer channels.

This additional channel provides the opportunity for more detailed imaging behind the listener and brings more depth, spacious ambience and sound localization than ever before.

THX Surround EX will operate for any 5.1 channel source whenever THX is active.

THX Surround EX is not available in system without surround back speaker(s).

Note:

- When playing Dolby Digital Surround EX-encoded software in 6.1 channels, it is required to select the THX Surround EX mode.

THX ULTRA2 CINEMA

THX ULTRA2 Cinema mode plays 5.1 movies using all 7.1 speakers giving you the best possible movie watching experience. In this mode, ASA processing blends the surround L/R speakers and surround back speakers, providing the optimal mix of ambient and directional surround sound.

This mode permits the playback of a non Surround EX/ES-encoded 5.1 movie over a 7.1 system.

DTS-ES (Matrix and 6.1 Discrete) and Dolby Digital Surround EX-encoded soundtracks will be automatically detected, if the appropriate flag has been encoded.

Some Dolby Digital Surround EX soundtracks are missing the digital flag that allows automatic switching.

If you know that the movie that you are watching is encoded in Surround EX, you can manually select the THX Surround EX playback mode, otherwise the THX ULTRA2 Cinema mode will apply ASA processing to provide optimum replay.

THX MUSIC

For the replay of multichannel music, the THX Music mode should be selected. In this mode, THX ASA processing is applied to the surround channels of all 5.1-encoded music sources, such as DTS and Dolby Digital, to provide a wide, stable, rear soundstage.

This mode is to be used with multichannel music sources such as DTS 5.1 music and Dolby Digital 5.1 music.

Notes:

- These modes are only available when you have setup SPEAKER SIZE menu system (i.e. 2 surround back speakers).
- These modes are only available when the input signal has surround left and surround right contents.

THX GAMES

For the replay of stereo and multichannel game audio the THX Games mode should be selected. In this mode, THX ASA processing is applied to the surround channels of all 5.1 and 2.0-encoded game sources such as analog, PCM, DTS and Dolby Digital. This accurately places all game audio surround information, providing a full 360-degree playback environment. THX Games mode is unique as it gives you a smooth transition of audio in all points of the surround field.

Neural Surround

Neural Surround™ represents the latest advancement in surround technology developed for music.

Neural Surround™ employs psychoacoustic frequency domain processing which allows delivery of a more detailed sound stage with superior channel separation and localization of audio elements. System playback is scalable from 5.1 to 7.1 multi-channel surround playback.

CAUTION

Note for DTS

- To connected DVD player, laserdisc player or CD player needs to support DTS digital output. You may not be able to play some DTS source signals from certain CD players and LD players even if you connect the player to the unit digitally. This is because the digital signal has been processed (such as the output level, sampling frequency or frequency response), and the unit cannot recognize the signal as DTS data.
- Depending on the player used, DTS play may produce a short noise. This is not a malfunction.
- While signals from a DTS laserdisc or CD are playing in another surround mode, you cannot switch to digital input or from digital input to analog input from the INPUT SETUP in the MAIN MENU or by pressing the **A/D** button.
- You can not listen to DTS-encoded software in a ZONE.
- The outputs for VCR 1 OUT, DSS/VCR 2 OUT, TAPE OUT and CD-R OUT output analog audio signals only. Do not record from CDs or LDs that support DTS using these outputs. If you do, the DTS-encoded signal will be recorded as noise.

Note or Dolby Digital Surround EX

- When playing Dolby Digital Surround EX-encoded software in 6.1 channels, it is required to set the EX/ES mode.
- Note that some Dolby Digital Surround EX-encoded software does not contain the identification signal. In this case, set the EX/ES mode manually.

Note for 96 kHz/192 kHz PCM audio


- The AUTO, Pure Direct, and Stereo modes can be used when playing PCM signals with a sampling frequency of 96/192 kHz (such as from DVD-Video/Audio discs).
- Certain DVD player models inhibit digital output. For details, refer to the player's operation manual.
- Some DVD discs feature copy protection. When using such disc, 96 kHz PCM signal are not output from the DVD player. For details, refer to the player's operation manual.

Note for HDCD

- HDCD is effective only through digital input.
- You may not be able to play some HDCD source signals from certain CD players if you connect the player to the unit digitally. This is because the digital signal has been processed (such as the output level, sampling frequency or frequency response) and the unit cannot recognize the signal as HDCD data.

2. TECHNICAL DESCRIPTION

DESCRIPTION



RECOMMENDED USE

All Home Theaters or Living Rooms

THX CERTIFICATION FEATURES

THX Surround EX

THX Cinema, Music, Games Modes:

- Re-Equalization
- Timbre Matching
- Adaptive Decorrelation
- ASA Technology

Boundary Gain Compensation

THX Bass Management System

ADDITIONAL THX TECHNOLOGIES

Neural-THX Surround

Visit www.thx.com for further technical details.

THX® is an exclusive set of standards and technologies established by the world-renowned film production company, Lucasfilm Ltd. THX resulted from George Lucas' desire to reproduce the movie soundtrack as faithfully as possible both in the movie theater and in the home theater.

THX engineers developed patented technologies to accurately translate the sound from a movie theater environment into the home, correcting the tonal and spatial errors that occur.

When the THX mode of the unit is on, three distinct THX technologies are automatically added:

Re-Equalization-restores the correct tonal balance for watching a movie in a home environment.

These sounds are otherwise mixed to be brighter for a large movie theater. Re-EQ compensates for this and prevents the soundtracks from being overly bright and harsh when played in a home theater.

Timbre Matching-filters the information going to the surround speakers so they more closely match the tonal characteristics of the sound coming from the front speakers.

This ensures seamless panning between the front and surround speakers.

Adaptive Decorrelation-slightly changes one surround channel's time and phase relationship with respect to the other surround channel.

This expands the listening position and creates with only two surround speakers the same spacious surround experience as in a movie theater with multiple surround speakers.

The unit was required to pass a rigorous series of quality and performance tests, in addition to incorporating the technologies explained above, in order to be THX certified.

THX requirements cover every aspect of performance including pre-amplifier and power amplifier performance and operation, and hundreds of other parameters in both the digital and analog domain.

Movies which have been encoded in Dolby Digital, DTS, Dolby Pro Logic, stereo and Mono will all benefit from the THX mode when being viewed.

The THX mode should only be activated when watching movies which were originally produced for a movie theater environment.

THX need not be activated for music, movies made especially for TV, or shows such as sports programming, talk shows, etc.

This is because they were originally mixed for a small room environment.

The THX logo is a trademark of THX Ltd. which may be registered in some jurisdictions. All rights reserved.

THX SURROUND EX

THX Surround EX—Dolby Digital Surround EX is a joint development of Dolby Laboratories and THX Ltd.

In a movie theater, film soundtracks that have been encoded with Dolby Digital Surround EX technology are able to reproduce an extra channel which has been added during the mixing of the program. This channel, called Surround Back, places sounds behind the listener in addition to the currently available front left, front center, front right, surround right, surround left and subwoofer channels. This additional channel provides the opportunity for more detailed imaging behind the listener and brings more depth, spacious ambience and sound localization than ever before.

Movies that were created using the Dolby Digital Surround EX technology, when released into the home consumer market may exhibit wording to that effect on the packaging. A list of movies created using this technology can be found on the Dolby web site at www.dolby.com. A list of available DVD software titles encoded with this technology can be found at www.thx.com.

Only receiver and controller products bearing the THX Surround EX logo, when in the THX Surround EX mode, faithfully reproduce this new technology in the home. This product may also engage the THX Surround EX mode during the playback of 5.1 channel material that is not Dolby Digital Surround EX encoded. In such case, the information delivered to the Surround Back channel will be program dependent and may or may not be very pleasing depending on the particular soundtrack and the tastes of the individual listener.

“SURROUND EX™” is a trademark of Dolby Laboratories. Used under authorization.

The **THX Ultra2** specification provides uncompromised 7.1 channel playback of any multi-channel program, whether movie soundtracks or music over the widest possible seating area. There are an additional two processing's for THX Ultra2 as bellow.

A.S.A. (Advanced Speaker Array)

“ASA” is a proprietary THX technology which processes the sound fed to 2 surround and 2 surround back speakers to provide the optimal surround sound experience. When you set up your home theater system using all eight speaker outputs (Left, Center, Right, Surround Right, Surround Back Right, Surround Back Left, Surround Left and Subwoofer), placing the two Surround Back speakers close together facing the front of the room as shown in the diagram will provide the largest sweet spot. If for practical reasons you have to place the Surround Back speakers apart, you will need to go to the **THX Audio Set-up** screen and choose the setting that most closely corresponds to the speaker distance, which will re-optimize the surround sound-field. ASA is used in two new surround modes; THX Ultra2 Cinema, THX Music Mode and THX Games mode.

B.G.C. (Boundary Gain Compensation)

If your chosen listening room layout (for practical or aesthetic reasons) results in most of the listeners being close to the rear wall, the resulting bass level can be sufficiently reinforced by the boundary that the overall sound quality becomes “boomy”. THX Ultra2 receivers contain the BGC (Boundary Gain Compensation) feature to provide an improved bass balance. BGC can be selected by choosing “THX Ultra2 Subwoofer-Yes” from the “Boundary Gain Compensation” section of the “THX Audio setup menu”.



Neural-THX® Surround has been chosen as the official surround sound broadcast format for leading FM/HD and satellite radio and television stations worldwide. Neural-THX Surround delivers the rich envelopment and discrete image detail of surround sound in a format 100% compatible with stereo.

Neural-THX Surround draws the brain's attention to sonic details in musical instruments, vocals and ambience that are typically masked by other playback systems. This allows the listener to fully experience the richness and subtleties in recorded performance as never before for both surround encoded material and regular stereo material such as CDs or digital media players.

Neural-THX Surround: Taking Surround to the Next Level.

This product is manufactured under license from Neural Audio Corporation and THX Ltd. Marantz hereby grants the user a non-exclusive, non-transferable, limited right of use to this product under USA and foreign patent, patent pending and other technology or trademarks owned by Neural Audio Corporation and THX Ltd. “Neural Surround”, “Neural Audio”, “Neural” and “NRL” are trademarks and logos owned by Neural Audio Corporation, THX is a trademark of THX Ltd., which may be registered in some jurisdictions. All rights reserved.



Manufactured under license under U.S. Patent #'s: 5,451,942; 5,956,674; 5,974,380; 5,978,762; 6,226,616; 6,487,535; 7,003,467; 7,212,872 & other U.S. and worldwide patents issued & pending. DTS, DTS Digital Surround, ES, and Neo:6 are registered trademarks and the DTS logos, Symbol and DTS 96/24 are trademarks of DTS, Inc. © 1996-2007 DTS, Inc. All Rights Reserved.

• dts Digital Surround

DTS was introduced in 1994 to provide 5.1 channels of discrete digital audio into home theater systems. DTS brings you premium quality discrete multichannel digital sound to both movies and music. DTS is a multichannel sound system designed to create full range digital sound reproduction. The no compromise DTS digital process sets the standard of quality for cinema sound by delivering an exact copy of the studio master recordings to neighborhood and home theaters.

Now, every moviegoer can hear the sound exactly as the moviemaker intended. DTS can be enjoyed in the home for either movies or music on DVD's, LD's, and CD's.

• **dts Neo:6®**

The advantages of discrete multichannel systems over matrix are well known.

But even in homes equipped for discrete multichannel, there remains a need for high-quality matrix decoding. This is because of the large library of matrix surround motion pictures available on disc and on VHS tape; and analog television broadcasts.

The typical matrix decoder of today derives a center channel and a mono surround channel from two-channel matrix stereo material. It is better than a simple matrix in that it includes steering logic to improve separation, but because of its mono, band-limited surround it can be disappointing to users accustomed to discrete multichannel.

Neo:6 offers several important improvements as follow,

- Neo:6 provides up to six full-band channels of matrix decoding from stereo matrix material. Users with 6.1 and 5.1 systems will derive six and five separate channels, respectively, corresponding to the standard home-theater speaker layouts.
- Neo:6 technology allows various sound elements within a channel or channels to be steered separately, and in a way which follows naturally from the original presentation.
- Neo:6 offers a music mode to expand stereo nonmatrix recordings into the five- or six-channel layout, in a way which does not diminish the subtlety and integrity of the original stereo recording.

• **dts Digital Surround ES®**

DTS-ES Extended Surround is a new multichannel digital signal format developed by Digital Theater Systems Inc. While offering high compatibility with the conventional DTS Digital Surround format, DTS-ES Extended Surround greatly improves the 360-degree surround impression and space expression thanks to further expanded surround signals. This format has been used professionally in movie theaters since 1999.

In addition to the 5.1 surround channels (FL, FR, C, SL, SR and LFE), DTS-ES Extended Surround also offers the SB (Surround Back) channel for surround playback with a total of 6.1 channels. DTS-ES Extended Surround includes two signal formats with different surround signal recording methods, as DTS-ES Discrete 6.1 and DTS-ES Matrix 6.1.

• **dts Digital Surround 96/24**

The stereo CD is a 16-bit medium with sampling at 44.1 kHz. Professional audio has been 20- or 24-bit for some time, and there is increasing interest in higher sampling rates both for recording and for delivery into the home. Greater bit depths provide extended dynamic range. Higher sampling rates allow wider frequency response and the use of anti-alias and reconstruction filters with more favorable aural characteristics.

DTS 96/24 allows for 5.1 channel sound tracks to be encoded at a rate of 96kHz/24bits on DVD-Video titles.

When DVD-video appeared, it became possible to deliver 24-bit, 96 kHz audio into the home, but only in two channels, and with serious limitations on picture. This capability has had little use.

DVD-audio allows 96/24 in six channels, but a new player is needed, and only analog outputs are provided, necessitating the use of the D/A converters and analog electronics provided in the player.

DTS 96/24 offers the following:

1. Sound quality transparent to the original 96/24 master.
2. Full backward compatibility with all existing decoders. (Existing decoders will output a 48 kHz signal)
3. No new player required: DTS 96/24 can be carried on DVD-video, or in the video zone of DVD-audio, accessible to all DVD players.
4. 96/24 5.1-channel sound with full-quality full-motion video, for music programs and motion picture soundtracks on DVD-video.



DTS-HD Master Audio is capable of delivering audio that is a bit-for-bit identical to the studio master. DTS-HD Master Audio delivers audio at super high variable bit rates -24.5 mega-bits per second (Mbps) on Blu-ray discs and 18.0 Mbps on HD-DVD - that are significantly higher than standard DVDs. This bit stream is so "fast" and the transfer rate is so "high" that it can deliver the Holy Grail of audio: 7.1 audio channels at 96k sampling frequency/24 bit depths that are identical to the original. With DTS-HD Master Audio, you will be able to experience movies and music, exactly as the artist intended: clear, pure, and uncompromised.

Manufactured under license under U.S. Patent #'s: 5,451,942; 5,956,674; 5,974,380; 5,978,762; 6,226,616; 6,487,535 & other U.S. and worldwide patents issued & pending.

DTS is a registered trademark and the DTS logos, Symbol, DTS-HD and DTS-HD Master Audio are trademarks of DTS, Inc. © 1996-2007 DTS, Inc. All Rights Reserved.



DTS-HD High Resolution Audio can deliver up to 7.1 channels of sound that is virtually indistinguishable from the original. DTS-HD High Resolution Audio delivers audio at high constant bit rates superior to standard DVDs---6.0 Mbps on Blu-ray discs and 3.0 Mbps on HD-DVD to produce outstanding sound quality. It is capable of delivering up to 7.1 channels at 96k sampling frequency/24 bit depth resolution. It allows content creators to deliver rich, high definition audio on movies where disc space may not allow for DTS-HD Master Audio.

Manufactured under license under U.S. Patent #'s: 5,451,942; 5,956,674; 5,974,380; 5,978,762; 6,226,616; 6,487,535 & other U.S. and worldwide patents issued & pending. DTS is a registered trademark and the DTS logos, Symbol, DTS-HD, DTS-HD High Resolution

Audio and DTS-HD High Res Audio are trademarks of DTS, Inc. © 1996-2007 DTS, Inc. All Rights Reserved.



Dolby Digital identifies the use of Dolby Digital audio coding for such consumer formats as DVD and DTV. As with film sound, Dolby Digital can provide up to five full-range channels for left, center, and right screen channels, independent left and right surround channels, and a sixth ("1") channel for low-frequency effects.

Dolby Surround Pro Logic II is an improved matrix decoding technology that provides better spatiality and directionality on Dolby Surround program material; provides a convincing three-dimensional soundfield on conventional stereo music recordings; and is ideally suited to bring the surround experience to automotive sound. While conventional surround programming is fully compatible with Dolby Surround Pro Logic II decoders, soundtracks will be able to be encoded specifically to take full advantage of Pro Logic II playback, including separate left and right surround channels. (Such material is also compatible with conventional Pro Logic decoders.)

Dolby Digital EX creates six full-bandwidth output channels from 5.1-channel sources. This is done using a matrix decoder that derives three surround channels from the two in the original recording. For best results, Dolby Digital EX should be used with movies soundtracks recorded with Dolby Digital Surround EX.

About Dolby Pro Logic IIx

Dolby Pro Logic IIx technology delivers a natural and immersing 7.1-channel listening experience to the home theater environment. A product of Dolby's expertise in surround sound and matrix decoding technologies, Dolby Pro Logic IIx is a complete surround sound solution that maximizes the entertainment experience from stereo as well as 5.1-channel encoded sources.

Dolby Pro Logic IIx is fully compatible with Dolby Surround Pro Logic technology and can optimally decode the thousands of commercially available Dolby Surround encoded video cassettes and television programs with enhanced depth and spatiality. It can also process any high-quality stereo or Advanced Resolution 5.1-channel music content into a seamless 6.1- or 7.1-channel listening experience.



The Dolby Headphone technology provides a surround sound listening experience over headphones. When listening to multichannel content such as DVD movies over headphones, the listening experience is fundamentally different than listening to speakers. Since the headphone speaker drivers are covering the pinna of the ear, the listening experience differs greatly from traditional speaker playback. Dolby utilizes patented headphone perspective curves to solve this problem and provides a non-fatiguing, immersive, home theater listening experience. Dolby Headphone also delivers exceptional 3D audio from stereo material.



Dolby Virtual Speaker is a technology certified by Dolby Laboratories that creates a virtualized surround sound experience from two speakers using a multichannel Dolby Digital source. Additionally, Dolby Virtual Speaker can simulate the surround sound effect produced by Dolby Pro Logic or Dolby Pro Logic II.

Dolby Virtual Speaker retains all the original Multichannel audio information and provides the listener with the sensation of being surrounded by additional speakers.



Dolby® TrueHD is Dolby's next-generation lossless technology developed for high-definition disc-based media. Dolby TrueHD delivers tantalizing sound that is bit-for-bit identical to the studio master, unlocking the true high-definition entertainment experience on next-generation discs. When coupled with high-definition video, Dolby TrueHD offers an unprecedented home theater experience that lets you enjoy sound as stunning as the high-definition picture.



Dolby Digital Plus is a highly sophisticated and versatile audio codec based on Dolby Digital and designed specifically to adapt to the changing demands of future audio, video delivery, and audio storage systems while simultaneously retaining backwards compatibility with the existing Dolby Digital 5.1-channel home theater systems in use today.


Manufactured under license from Dolby Laboratories. "Dolby", "Pro Logic", "Surround EX", and the double-D symbol are trademarks of Dolby Laboratories.



Circle Surround II (CS-II) is a powerful and versatile multichannel technology. CS-II is designed to enable up to 6.1 multichannel surround sound playback from mono, stereo, CS encoded sources and other matrix encoded sources. In all cases the decoder extends it into 6 channels of surround audio and a LFE/subwoofer signal. The CS-II decoder creates a listening environment that places the listener "inside" music performances and dramatically improves both hi-fi audio conventional surround-encoded video material. CS-II provides composite stereo rear channels to greatly improve separation and image positioning—adding a heightened sense of realism to both audio and A/V productions.

CS-II is packed with other useful feature like dialog clarity (SRS Dialog) for movies and cinema-like bass enrichment (TruBass). CS-II can enable the dialog to become clearer and more discernable in movies and it enables the bass frequencies contained in the

original programming to more closely achieve low frequencies—overcoming the low frequency limitations of the speakers by full octave.

Circle Surround II, SRS and  symbol are trademarks of SRS Labs, Inc.

Circle Surround II is incorporated under license from SRS Labs, Inc.



HDCD® (High Definition Compatible Digital ®) is a patented process for delivering on Compact Disc the full richness and details of the original microphone feed.

HDCD encoded CDs sound better because they are encoded with 20-bits of real musical information as compared to 16-bits for all other CDs.


HDCD overcomes the limitation of the 16-bit CD format by using a sophisticated system to encode the additional four bits onto the CD while remaining completely compatible with the CD format.

When listening to HDCD recordings, you hear more dynamic range, a focused 3-D sound stage, and extremely natural vocal and musical timbre. With HDCD, you get the body, depth and emotion of the original performance not a flat, digital imitation.

HDCD system manufactured under license from Microsoft. This product is covered by one or more of the following: In the United States 5,479,168 5,638,074 5,640,161 5,808,574 5,838,274 5,854,600 5,864,311 5,872,531 and in Australia 669,114 with other patents pending.

"Microsoft, HDCD, and the HDCD logo are trademarks or registered trademarks of Microsoft Corporation in the United States and / or other countries."



HDMI, the  and High-Definition Multimedia Interface are trademarks or registered trademarks of HDMI Licensing LLC.



There are several factors that can degrade the sound from even the best loudspeakers in a listening room. One of the most important is the interaction of sound from the loudspeakers with large surfaces such as walls, the floor, and the ceiling in the room. Even with careful loudspeaker placement and acoustical treatments, there are significant problems that are caused by room acoustics. These include reflections from nearby

surfaces and standing waves that are created between large parallel surfaces in the room. In a home theater the situation is further complicated because there are several listening locations. The effects of room acoustics on the sound arriving at each person's ears are very different and the result is a listening experience that is degraded in a different way for every person in the room. It is not uncommon to have variations in two adjacent seats that are as large as 10 dB, particularly in the frequency range below 250 Hz.

The solution to this problem is to apply room correction after precisely measuring how each loudspeaker interacts with the room. Because the room causes variations in the frequency response of the loudspeakers that are so large from seat to seat, it is important to measure each loudspeaker at several locations in the listening room. This should be done even if there is only one listener. Measurement at a single location is not representative of the acoustical problems in the room and will in most cases, degrade overall performance. Audyssey MultEQ is the only technology that can achieve room correction for multiple listeners in a large listening area. It does so by combining the data collected at several points in the room from each loudspeaker and then applying correction that minimizes the acoustical effects of the room and is matched to the frequency resolution of human perception (known as psychoacoustics).

Furthermore, MultEQ correction is applied both in frequency and time domains and so there are no artifacts (such as smearing of sound or modal ringing) that are sometimes associated with traditional methods of room equalization.

In addition to correcting frequency response problems over a wide listening area, Audyssey MultEQ provides a completely automated sound system set-up process. It identifies how many loudspeakers are connected to the amplifiers and whether they are full-range, satellites, or subwoofers. If there is a least one subwoofer connected, Audyssey MultEQ determines the optimum crossover frequency between each satellite and the subwoofer(s). It automatically checks the polarity of each loudspeaker and alerts the user if there are any that may be wired out-of-phase relative to the others. It measures the distance to each loudspeaker from the main listening position and adjusts the delays so that sound from each loudspeaker arrives at the same time. Finally, Audyssey MultEQ determines the playback level of each loudspeaker and adjusts the volume trims so that all levels are equal.



MultEQ and the Audyssey MultEQ logo are trademarks of Audyssey Laboratories, Inc. All rights reserved.



DLNA CERTIFIED™ Audio/Video/Image Player DLNA®, the DLNA Logo and DLNA CERTIFIED™ are trademarks, service marks, or certification marks of the Digital Living Network Alliance.

x.v.Color

“x.v.Color” and “x.v.Color” logo are trademarks of Sony Corporation.



HD Radio™ technology is a new technology that enables AM and FM radio stations to broadcast programs digitally. Digital broadcasting provides listeners with radically improved audio quality and reception as well as new data services. Furthermore, supplemental program services allow listeners to select from up to 8 HD Radio programs multicast on a single FM HD Radio channel. For more information on HD Radio™ technology, visit “www.ibiquity.com”.

HD Radio™ Technology Manufactured Under License From iBiquity Digital Corp. U.S. and Foreign Patents. HD Radio™ and the HD Radio logo are proprietary trademarks of iBiquity Digital Corp.

XM Satellite Radio Ready



The XM name and related logos are registered trademarks of XM Satellite Radio Inc.

XM HD Surround uses Neural Surround™ technology to achieve optimal surround sound from XM radio.



© 2006 SIRIUS Satellite Radio Inc. “SIRIUS” and the SIRIUS dog logo are registered trademarks of SIRIUS Satellite Radio Inc.

3. SERVICE MODE

MAIN CPU Version, DSP Version, HDMI CPU Version, HD Radio Version, HD Radio module Firmware Version, DMP Sub CPU Version, DMP module Firmware Version and Segment Check Mode.

Note : As for step 10 and step 11, only /U1B is displayed.

1. Connect the mains cord into the unit.
2. Press the **POWER ON/OFF (STANDBY)** button for turn on the unit.
3. Press the **PURE DIRECT, 7.1CH INPUT** and **M-DAX** buttons simultaneously more then 3 seconds.
4. The FL display shows "SERVICE" for 2 seconds then shows the model name.

S	E	R	V	I	C	E		M	O	D	E				
				A	V	8	0	0	3						

5. Press the **ENTER** button, the software version of the MAIN CPU (IC17) is displayed in the format below.

V	0	8	0	5	0	9		1	U						
└─ Year ─┘			└─ Month ─┘		└─ Date ─┘		Release No.			Destination					

6. Press the **ENTER** button again, the serial Number of the unit is displayed.

M	Z		2	9	4	9	6	7	2	9	5				
---	---	--	---	---	---	---	---	---	---	---	---	--	--	--	--

7. Press the **ENTER** button, the software version of the TI DSP (IC34) B1 Code is displayed in the format below.

		B	1		1	0	8	0	5	0	8	1			
--	--	---	---	--	---	---	---	---	---	---	---	---	--	--	--

8. Press the **ENTER** button, the software version of the TI DSP (IC34) B2 Code is displayed in the format below.

		B	2		2	0	8	0	3	1	3	1			
--	--	---	---	--	---	---	---	---	---	---	---	---	--	--	--

9. Press the **ENTER** button, the software version of the HDMI CPU (IC81) is displayed in the format below.

H	D	M	I		V	e	r	.	h	1	3				
---	---	---	---	--	---	---	---	---	---	---	---	--	--	--	--

10. Press the **ENTER** button, the software version of the HD Radio (IC91) is displayed in the format below.
(U1B only)

H	R		V	0	7	1	1	1	4	0	1				
---	---	--	---	---	---	---	---	---	---	---	---	--	--	--	--

3. SERVICE MODE

MAIN CPU Version, DSP Version, HDMI CPU Version, HD Radio Version, HD Radio module Firmware Version, DMP Sub CPU Version, DMP module Firmware Version and Segment Check Mode.

注記：手順10と11は/U1Bのみ表示されず。

1. 本機に電源コードを接続します。
2. **POWER ON/OFF (STANDBY)**ボタンを押し、本機の電源を入れます。
3. **PURE DIRECT, 7.1CH INPUT, M-DAX**の3つのボタンを同時に3秒以上押しします。
4. FLに"SERVICE"と2秒表示し、次にモデル名を表示します。

5. **ENTER**ボタンを押すと、MAINマイコン(IC17)のバージョンが表示されます。

V	0	8	0	5	0	9		1	U						
└─ Year ─┘			└─ Month ─┘		└─ Date ─┘		リリース No.			仕向け					

6. 更に**ENTER**ボタンを押すと、シリアルナンバーが表示されます。

7. 更に**ENTER**ボタンを押すと、TI DSP (IC34) B1 Codeのバージョンが表示されます。

8. 更に**ENTER**ボタンを押すと、TI DSP (IC34) B2 Codeのバージョンが表示されます。

9. 更に**ENTER**ボタンを押すと、HDMI CPU (IC81)のバージョンが表示されます。

10. 更に**ENTER**ボタンを押すと、HD Radio (IC91)のバージョンが表示されます。*(U1Bのみ)*

11. Press the **ENTER** button, the Firmware version of the HD radio Module is displayed (scroll) in the format below. (*U1B only*)

H	D	R	M		H	D	R	a	d	i	o	S
_	0	0	B	U		0	9	.	1	6		/
Module Firmware Version												
	D	R	I	-	3	5	2	-	0	0	1	7
5	1	E	F	-	C	M	R	L	-	V	0	1
Module DSP Version												
6												

12. Press the **ENTER** button, the software version of the DMP Sub CPU (IC51) is displayed in the format below.

D	M	P		V	0	8	0	5	0	7	0	1
---	---	---	--	---	---	---	---	---	---	---	---	---

13. Press the **ENTER** button, the software version of the DMP Module is displayed in the format below.

D	M	P	M		0	8	0	2	1	4	0	1
---	---	---	---	--	---	---	---	---	---	---	---	---

- Press the **ENTER** button again, the left half, right half and center of the label area in the FLD light on and off each other.
- Press the **ENTER** button again, the segments of the character area in the FLD flick in checker pattern.
- Press the **ENTER** button again, all the FL segments turns off.
- Press the **ENTER** button again to quit this mode.

Product Reset

To reset the back up memory of the unit into the default status, follow the procedure below.

Should the operation or display seem to be abnormal, reset the unit with the following procedure.

To turn on the AV8003, press and hold the **ZONE** and **TOP** buttons simultaneously for 3 seconds or more.

Remember that the procedure will reset the settings of the function selector, Surround mode, delay time, TUNER PRESET etc., to their initial settings.

11. 更に**ENTER**ボタンを押すと、HD radio Moduleのバージョンがスクロール表示されます。(*U1Bのみ*)

12. 更に**ENTER**ボタンを押すと、DMP Sub マイコン(IC51)のバージョンが表示されます。

13. 更に**ENTER**ボタンを押すと、DMP Moduleのバージョンが表示されます。

- 更に**ENTER**ボタンを押すと、FLのラベル部分の左半分と右半分および中心部が交互に点灯と消灯を繰り返します。
- 更に**ENTER**ボタンを押すと、FLのキャラクタセグメント部がチェッカーフラグのように点灯と消灯を繰り返します。
- 更に**ENTER**ボタンを押すと、FLは全消灯します。
- 更に**ENTER**ボタンを押すと、サービスモードを終了します。

初期状態に戻すには (リセット)

但しリセット行くと、セットアップメニューにて設定した内容、サラウンドモードの設定の情報が消去されますことをご了承ください。

- 電源が入っていることを確認します。
- 本機の**ZONE** ボタンを押しながら、**TOP** ボタンを3秒以上押しします。

本機は一度スタンバイ状態になった後、再度POWER - ON 状態となり、各種設定された内容が初期化され、工場出荷時の状態に戻ります。

4. SYSTEM ERROR

Check 1

- **Indication of abnormalities with the EEP-ROM (DSP PWB / IC15) Interface**

This indicates a communication error wherein the ACK will not return for 2 seconds or more while the system is in communication with the EEP-ROM (DSP PWB / IC15).

- Message on FL display

C	H	E	C	K	E	2	P	I	F
---	---	---	---	---	---	---	---	---	---

Points to be checked

- 1) The IIC Clock Line (IC17/116pin – IC15/6pin) is normal when the power is ON;
- 2) The IIC Data Line (IC17/117pin – IC15/ 5pin) is normal when the power is ON;
- 3) The IC15/8pin is supplied with VCC +3.3V;
- 4) If none of the above is negative, the IC15 may be having a defect.

4. SYSTEM ERROR

Check 1

- **EEP-ROM (DSP PWB / IC15) Interface異常検出**

EEP-ROM (DSP PWB / IC15)との通信でACKが帰ってこない状態（通信エラー）が約2秒以上生じた場合FL Displayに下記のような表示がされます。

- FL DisplayへのError表示

回路上の確認箇所

- ① Power ON時にIIC Clock Line (IC17/116pin - IC15 / 6pin)が正常なのを確認する。
- ② Power ON時にIIC Data Line (IC17/117pin - IC15 / 5pin)が正常なのを確認する。
- ③ IC15 / 8pinにVCC (+3.3V)が供給されていることを確認する。
- ④ 上記の①-③に不具合が生じていない場合はIC15の不良が考えられます。

Check 2

Check 2

Error Detection	Reason	Check points	
STANDBY LED FLICKERING 500 msec. NOTE : HOW TO RECOVER FROM THIS SYSTEM ERROR The product can recover from the SYSTEM ERROR when the user turns on and then off the STANDBY. However, once any of the right errors is redetected, the product goes into STANDBY again.	1. Detection of an abnormality on ±15V Supply. (_P LINE FAIL) CPU (IC17) 135pin _P LINE FAIL : 0V ~ ± 15V Supply is fail) 5V ~ ± 15V Supply is normality	Connection	REGURATOR PWB : CN66/3pin, CPU PWB : BN66/3pin.
		± 15V Supply	REGURATOR PWB : D901, R903/ R904, IC93/IC94 fail
	2. +5VD supply Error Detection. (_5V DOWN) Main-CPU (IC17) 137pin _5V DOWN : 0V ~ No +5VD (fail), 5V ~ +5VD is work (normality)	Connection	IC17/137pin + 5VD (RC53)
		+5VD Supply	DSP PWB : CN80/6,7pin, INPUT PWB : BN80/6,7pin BN50/4,5pin REGULATOR PWB : CN50/4,5pin IC92, D902, F901 fail

Check 3

For the product to start operating normally when the power is turned on, the circuit connected to each input port of _P DOWN, _P LINE FAIL and 5V_DOWN needs to be operating normally.

Check 3

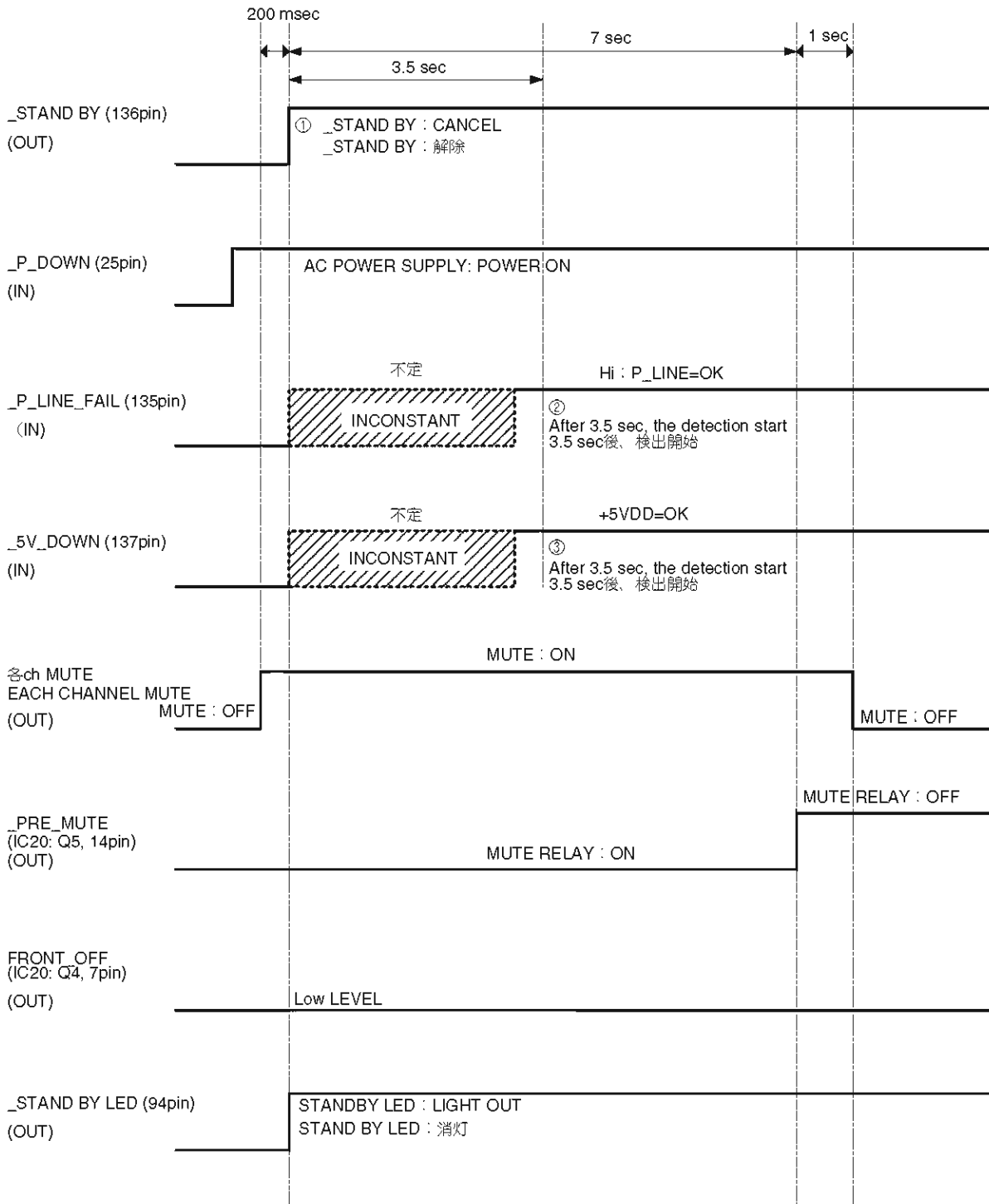
電源ON時に製品が通常動作を開始するためには、下図の様な Timing で _P DOWN, _P LINE FAIL, __5V_DOWN の各入力Portで接続されている回路が正常動作している必要があります。

• **TIMING CHART**

Normal operation when the power is turned on

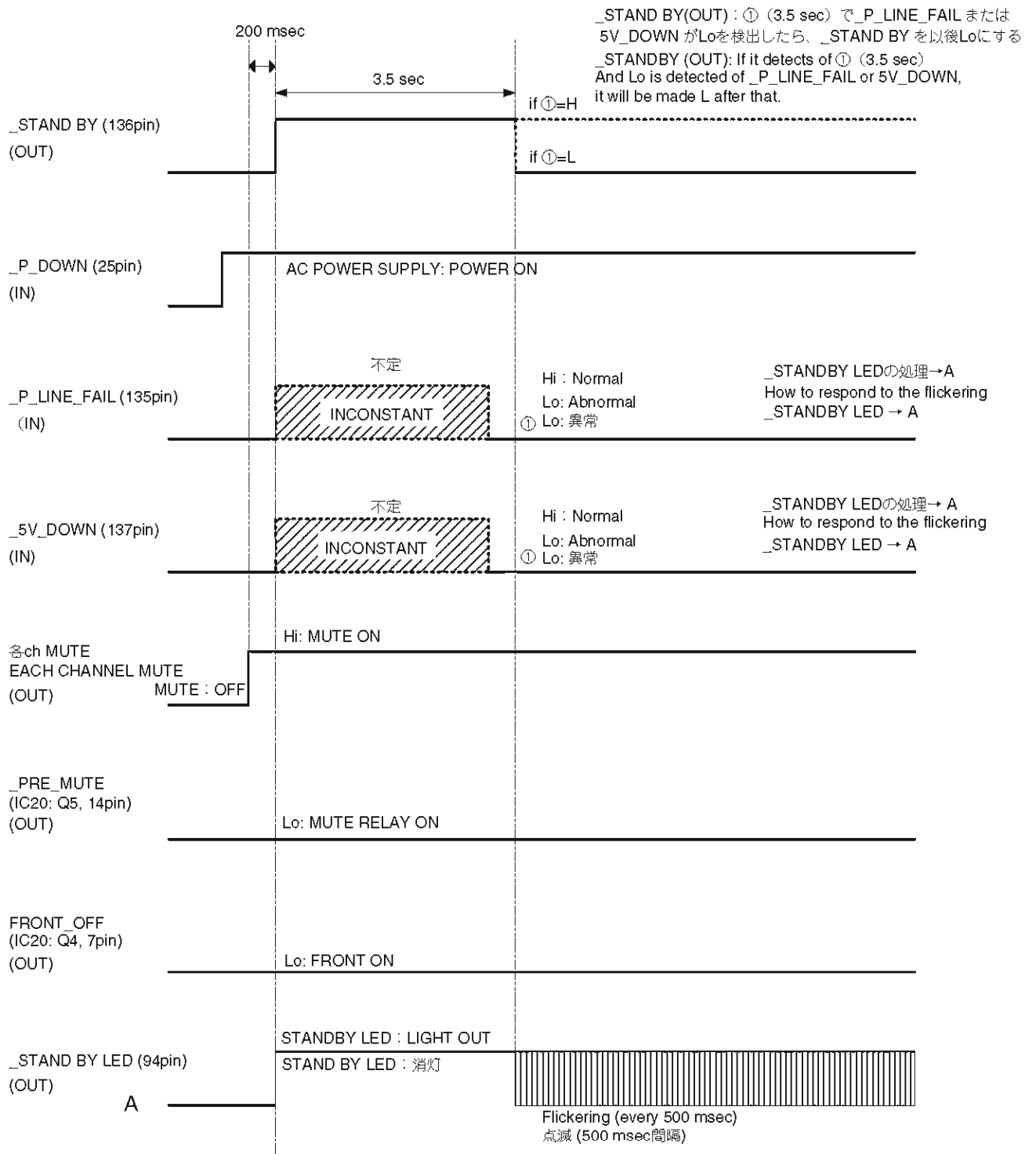
• **TIMING CHART**

電源ON時の正常動作



Abnormal detection operation when the power is turned on

電源ON時の異常検出動作



Check 4

HD Radio Error Detection (*/U1B only*)

Check 4

HD Radio Error Detection (*/U1Bのみ*)

Error Detection	Reason	Check points	
"CPU <-> HDR" on the FL DISPLAY	Main-CPU to HD Radio-CPU communication fail	6V power supply	CN92, IC61, BN92
		5V power supply	IC94
		HD Radio-CPU Communication	IC91, X901 etc. CN91, JW29
"HDR <-> HDRM" on the FL DISPLAY	Module to HD Radio-CPU communication fail	Module CPU fail	HD Radio module
		Communication	BN91, IC93
		3.3V power supply	IC95
No error message Not possible to up/down.	RF tuner (front-end) control fail	12V power supply	BN91, CN91, IC50
		Module fail	HD Radio module
No error message No sound or Noisy	Audio signal path RF signal condition Module	Audio signal path	BN91, CN91 etc
		Antenna	RF signal level, terminal External interference
		Module fail	Module performance

5. DUAL BACKUP MEMORY

This product has a Dual Backup Memory function. The conventional Backup functions to memorize, in the EEPROM in the circuit, a current setting of the moment the main power is turned off so that it can be restored when it is turned ON again. Meanwhile, the DUAL BACKUP MEMORY is capable of memorizing any arbitrary setting that is configured while the product is in operation so as to restore it at any time.

When servicing units returned from end-users for repairs, use this function to back up the current setting (e.g. Tuner Preset). This will enable the units to be returned to the users after repairs, with the setting unchanged.

NOTE : If end-users use this function, the data will be overwritten.

• HOW TO OPERATE

-Backup-

1. Configure a setting you would like to save in the MEMORY and hold down the [MEMORY] and [ENTER] buttons on the Front Panel at the same time for 3 seconds or more.
2. The FL Display indicates "MEMORY SAVING" while the Backup is being performed..
3. The FL Display indicates "COMPLETE" when the Backup is completed.

-Recovery-

1. Hold down the [MEMORY] and [ENTER] buttons on the Front Panel at the same time for 3 seconds or more.
2. The FL Display indicates "MEMORY LOAD" while the Recovery is being performed.
3. After the FL Display indicates "COMPLETE", the product goes into Standby mode. When the power is restored, the Recovery is completed. The FL Display indicates "NO BACKUP" if the DUAL BACKUP MEMORY has not been activated with no data to be recovered saved in the Memory. This function does not back up the levels of Main Zone Volume, Multi Zone Volume and Zone Speaker Volume. When the Recovery is done, ∞ is indicated.

• SERVICE PRECAUTIONS

When the Flash Rom (IC34) on the DSP PWB is replaced or when the DSP CODE is rewritten for a version upgrade, make sure, in order to maintain consistency with the Backup Memory, to clear the DUAL BACKUP MEMORY in the following way :

-How to clear the Backup Memory-

1. Hold down the [MENU] and [CLEAR] buttons on the Front Panel at the same time for 3 seconds or more.
2. The FL Display indicates "BACKUP CLEAR" while the memory is being cleared.
3. After the FL Display indicates "COMPLETE", the operation is completed.

5. DUAL BACKUP MEMORY

本機はDual Backup Memory機能を持っています。

通常のBackupは製品の主電源が切られた時に、その時の状態を回路上のEEP-Rom (IC15)にMemoryして、電源がONされた時にその状態を復帰させますが、DUAL BACKUP MEMORY機能は、動作状態にある任意の状態をMemoryして、いつでもその状態を復帰させることが出来る機能です。

この機能を使ってEnd Userから修理依頼を受けた時の状態をBack Upさせておけば、修理後に確認の操作をしても、Userが使用していたときの状態(TunerのPreset等)を復帰させて返却することもできます。

注意 : End Userがこの機能を使用していた場合はそのDataは書き込まれてしまうので注意が必要です。

• 操作方法

-Backup操作-

1. 製品をMemoryしたい状態にして、Front Panel上の[MEMORY]と[ENTER]ボタンを同時に3秒以上押し続けます。
2. FL Displayに"MEMORY SAVING"と表示されBackup処理が行われます。
3. FL Displayに"COMPLETE"と表示されれば処理は完了です。

-Recovery操作-

1. Front Panel上の[MEMORY]と[MENU]ボタンを同時に3秒以上押し続けます。
2. FL Displayに"MEMORY LOAD"と表示されRecovery処理が行われます。
3. FL Displayに"COMPLETE"と表示され製品は一度Standby状態となり復帰後Recovery処理が完了します。

この時、DUAL BACK UP MEMORY操作がされなく、RecoveryするDataがMemoryされていない場合はFL Displayに"NO BACKUP"と表示されます。また、Main Zone Volume , Multi Zone Volume , Zone Speaker Volumeの各Volume値についてはこの機能ではBackupされずに-∞でRecoveryされます。

• Service時の注意点

DSP PWB上のFlash Rom (IC34)を交換した場合または、DSP CODEをVersion Up等の理由から書き換えた場合は、Backup Memoryとの整合性の為に必ず次の方法でDUAL BACKUP MEMORYの消去を行います。

-Backup MemoryのClear操作-

1. Front Panel上の[MENU]と[CLEAR]ボタンを同時に3秒以上押し続けます。
2. FL Displayに"BACKUP CLEAR"と表示されClear処理が行われます。
3. FL Displayに"COMPLETE"と表示されれば処理は完了です。

6. UPDATE FIRMWARE

WRITING AND UPDATE SOFTWARE

Software for MAIN CPU, flash ROM for DSP, HDMI CPU, HD Radio CPU, HD Radio Module firmware and DMP Sub CPU can be updated/downloaded.

REMARK : The HD Radio is had to only /U1B.

Have update/download application software. ("FlashUpdate_v110.exe", "da708_writer.exe", "wr36049.exe", "FlashSta.exe" and "HDR_SFirmware_00_1.exe")

There are six mode of download, regarding to the target of software as bellow.

•Mode 1: Update/Download MAIN CPU's software to internal Flash-ROM.

This mode is to update/download the software for MAIN CPU.

The target devise is internal flash ROM of CPU (IC17) on CUP12075Z (DSP PWB).

The unit needs to be set to writing condition, by application software.

The updating of software takes about 3 minutes.

•Mode 2: Update/Download DSP's software to Flash-ROM.

This mode is to update/download the software for DSP. The target devise is Flash-ROM (IC34) on CUP12075Z (DSP PWB).

The unit needs to be set writing condition, by three front buttons.

The updating of software takes about 6 minutes and 30 seconds.

•Mode 3: Update/Download HDMI CPU's software to internal Flash-ROM.

This mode is to update/download the software for HDMI CPU.

The target devise is internal flash ROM of CPU (IC81) on CUP12051Z (HDMI PWB).

The unit needs to be set writing condition, by three front buttons.

The updating of software takes about 2 minutes.

The below-mentioned Mode 4 and 5 is only /U1B.

•Mode 4: Update/Download HD Radio CPU's software to internal Flash-ROM.

This mode is to update/download the software for HD Radio CPU.

The target devise is internal flash ROM of CPU (IC91) on CUP11990Y (HD RADIO PWB).

The unit needs to be set writing condition, by three front buttons.

The updating of software takes about 20 seconds.

•Mode 5: Update/Download HD Radio Module's software.

This mode is to update/download the software for HD Radio Module.

The target devise is HD Radio module.

The unit needs to be set writing condition, by three front buttons.

6. UPDATE FIRMWARE

WRITING AND UPDATE SOFTWARE

MAINマイコン、DSPのフラッシュROM、HDMIマイコン、HD Radioマイコン、HD Radioモジュールファームウェア、およびDMP Subマイコンのソフトウェアは更新、および書き込みが出来ます。

注意：HD Radioは/U1Bにのみ搭載されています。

更新および書き込みには書き込み用アプリケーションが必要です。("FlashUpdate_v110.exe", "da708_writer.exe", "wr36049.exe", "FlashSta.exe"および"HDR_SFirmware_00_1.exe")

書き込みには下記の6つのモードがあります。

•Mode 1: Update/Download MAIN CPU's software to internal Flash-ROM.

このモードはMAINマイコンの更新および書き込み用です。基板CUP12075Z (DSP PWB) のIC17のマイコン内部のフラッシュROMに書き込みます。

書き込み用アプリケーションから書き込みモードにする必要があります。

書き込みにかかる時間は約3分です。

•Mode 2: Update/Download DSP's software to Flash-ROM.

このモードはDSPのフラッシュROMの更新および書き込み用です。

基板CUP12075Z (DSP PWB) のIC34のフラッシュROMに書き込みます。

本機のフロントボタン3つから書き込みモードにする必要があります。

書き込みにかかる時間は約6分30秒です。

•Mode 3: Update/Download HDMI CPU's software to internal Flash-ROM.

このモードはHDMIマイコンの更新および書き込み用です。基板CUP12051Z (HDMI PWB) のIC81のマイコン内部のフラッシュROMに書き込みます。

本機のフロントボタン3つから書き込みモードにする必要があります。

書き込みにかかる時間は約2分です。

下記のMode4と5は/U1Bのみです。

•Mode 4: Update/Download HD Radio CPU's software to internal Flash-ROM.

このモードはHD Radioマイコンの更新および書き込み用です。

基板CUP11990Y (HD RADIO PWB) のIC91のマイコン内部のフラッシュROMに書き込みます。

本機のフロントボタン3つから書き込みモードにする必要があります。

書き込みにかかる時間は約20秒です。

•Mode 5: Update/Download HD Radio CPU's software.

このモードはHD Radioモジュールの更新および書き込み用です。

HD Radioモジュールに書き込みます。

本機のフロントボタン3つから書き込みモードにする必要があります。

The updating of software takes about 1 minute.

•Mode 6: Update/Download DMP Sub CPU's software to internal Flash-ROM.

This mode is to update/download the software for DMP Sub CPU.

The target device is internal flash ROM of CPU (IC51) on CUP12079Z (STAND BY PWB).

The unit needs to be set writing condition, by three front buttons.

The updating of software takes about 20 seconds.

NECESSARY EQUIPMENT

The following items are required for updating/downloading.

Windows PC (OS: Windows2000 or WindowsXP) with Serial port.

RS-232C Dsub-9 pin cable (female to female/straight type)

Update software to MAIN CPU. (FlashUpdate_v110.exe, etc... in main folder)

Update software to flash ROM for DSP. (da708_writer.exe, etc... in TI_DSP folder)

Update software to HDMI CPU. (wr36049.exe, etc... in HDMI folder)

Update software to HD Radio CPU and Flash ROM. (FlashSta.exe, etc... in HDRadio folder)

Update software to DMP Sub CPU. (FlashSta.exe, etc... in DMPSub folder)

Use RS232C Dsub-9 pin cable (female to female/straight type) to connect PC and the RS-232C port in rear panel of the unit, when updating/downloading each of software.

書き込みにかかる時間は約1分です。

•Mode 6: Update/Download DMP Sub CPU's software to internal Flash-ROM.

このモードはDMP Subマイコンの更新および書き込み用です。

基板CUP12079Z (STAND BY PWB) のIC51のマイコン内部のフラッシュROMに書き込みます。

本機のフロントボタン3つから書き込みモードにする必要があります。

書き込みにかかる時間は約20秒です。

必要機器

下記は更新および書き込みに必要な機器です。

Windows PC (OS : Windows2000 またはWindowsXP) で Serial ポートのあるもの

RS-232C ストレートケーブル(9Pin メス-9Pin メス)

MAINマイコン用書き込みソフトウェア(MAINフォルダ内 FlashUpdate_v110.exe、など)

DSPフラッシュROM用書き込みソフトウェア(DSPフォルダ内da708_writer.exe、など)

HDMIマイコン用書き込みソフトウェア(HDMIフォルダ内 wr36049.exe、など)

HD Radioマイコン、およびモジュール用書き込みソフトウェア (HDRadioフォルダ内 FlashSta.exe、など)

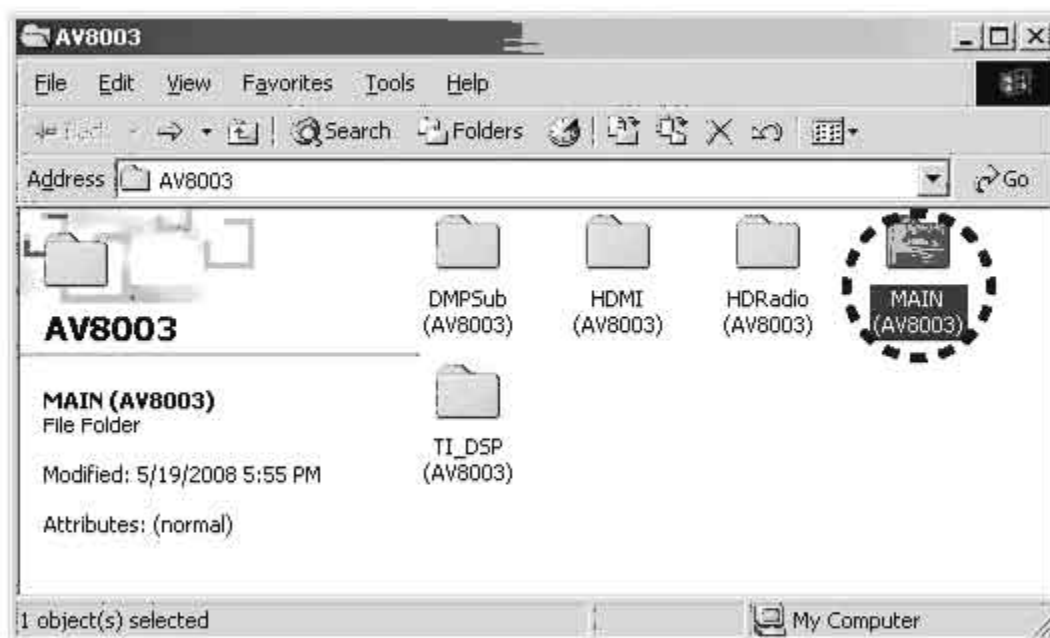
DMP Subマイコン用書き込みソフトウェア(DMPSubフォルダ内 FlashSta.exe、など)

それぞれのソフトウェアを更新および書き込みする場合、RS-232Cケーブルで本機リアパネルのRS232Cコネクタと Windows PCのSerialポートを接続します。

Mode 1: Update/Download MAIN CPU's software to internal Flash-ROM

Update/Download software for MAIN CPU (Mode 1)

1. Put the "main (AV8003)" folder into anywhere on your PC's hard disc.



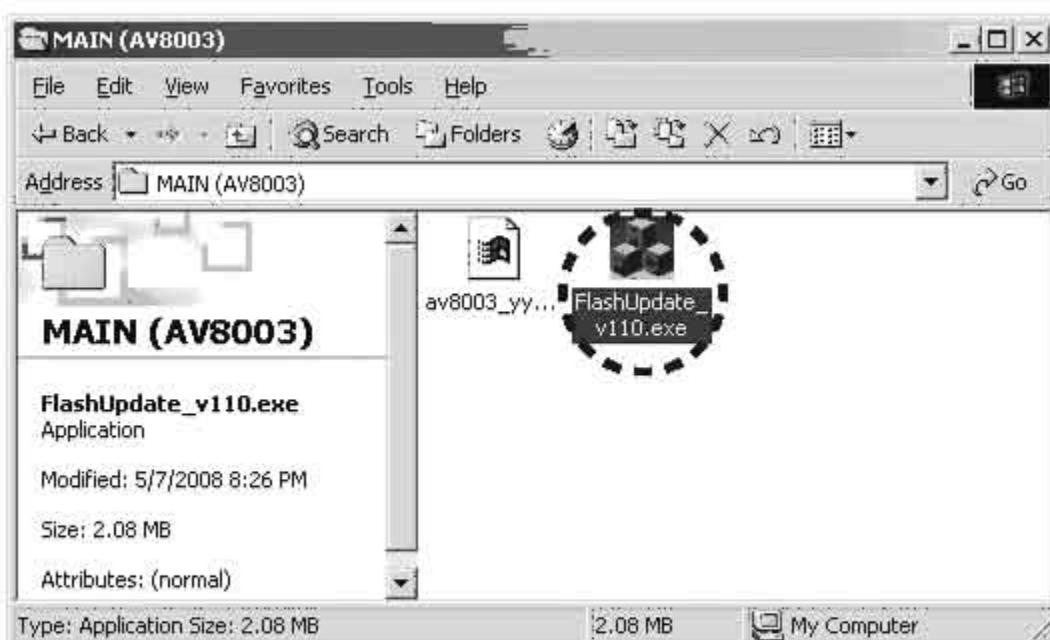
Mode 1: Update/Download MAIN CPU's software to internal Flash-ROM

Update/Download software for MAIN CPU (Mode 1)

1. "main (AV8003)"フォルダをPCの任意のフォルダにコピーします。

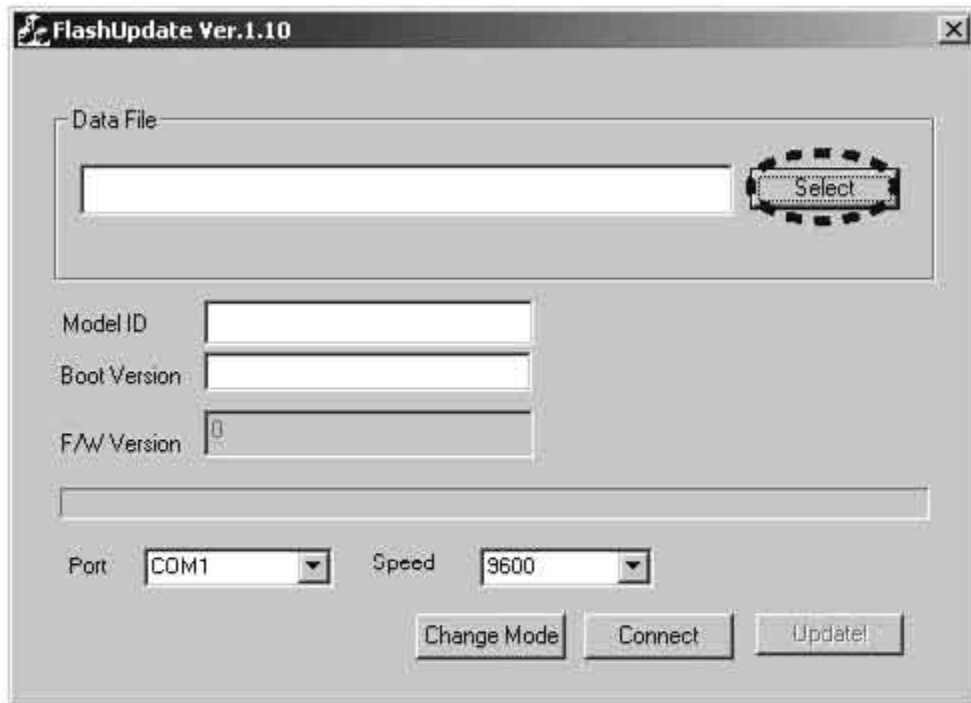
2. Connect RS-232C on the rear panel of the unit and Serial Port of windows PC with RS-232C cable.
3. Connect the mains cord into the unit.
4. And press the **POWER ON/OFF (STANDBY)** button for turn on the unit.
5. Double click the FlashUpdate_v110.exe. And launch the Flash Update.

2. 本機のリアパネルにあるRS-232CコネクタとWindows PCのSerialポートをRS-232Cケーブルで接続します。
3. 本機に電源ケーブルを差します。
4. 本機の**POWER ON/OFF (STANDBY)**ボタンを押して電源を入れます。
5. FlashUpdate_v110.exeをダブルクリックし、Flash Updateを起動します。



6. Click the **Select**.

6. **Select**をクリックします。

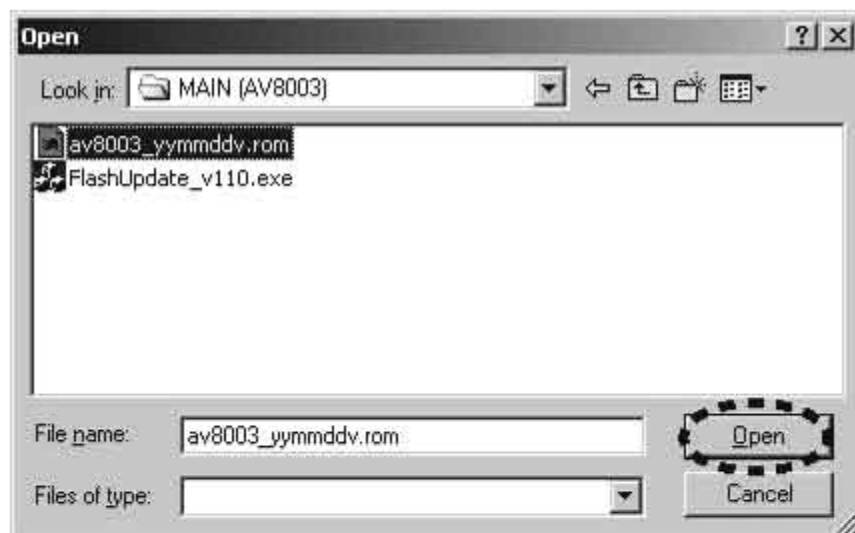


7. Choose the `av8003_yymmddv.rom`. And Click the **Open**.

NOTE : The `yy` is two digits of year. The `mm` is month. The `dd` is date. The `v` is release number.

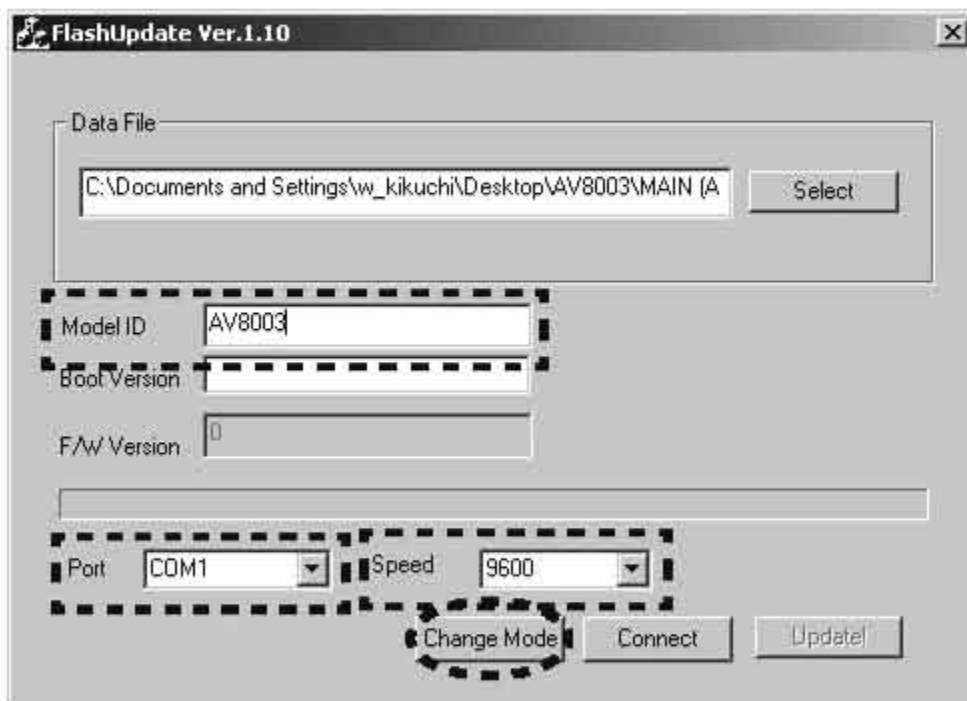
7. `av8003_yymmddv.rom`を選択し、**Open**をクリックします。

注意 : `yy`は年の下二桁、`mm`は月、`dd`は日、`v`はリリース番号



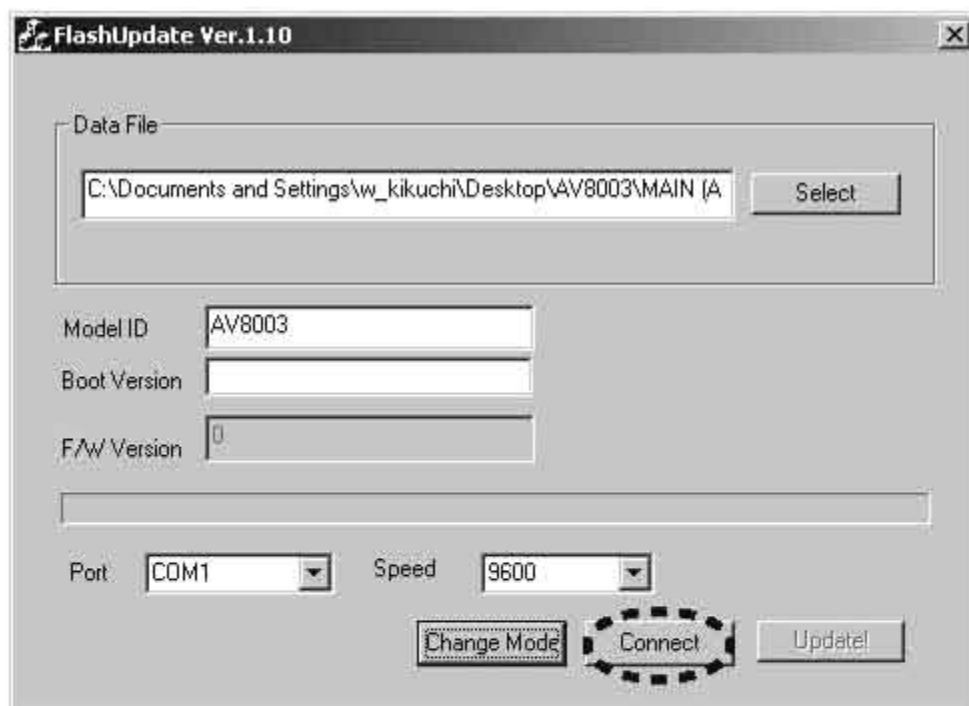
8. Input the **AV8003** in the Model ID.
Choose the **COM Port number**.
Choose the **9600** in the Speed.
And click the **Change Mode**.

8. Model IDに**AV8003**を入力します。
使用する**COM**ポート番号を選択します。
Speedから**9600**を選択します。
Change Modeをクリックします。



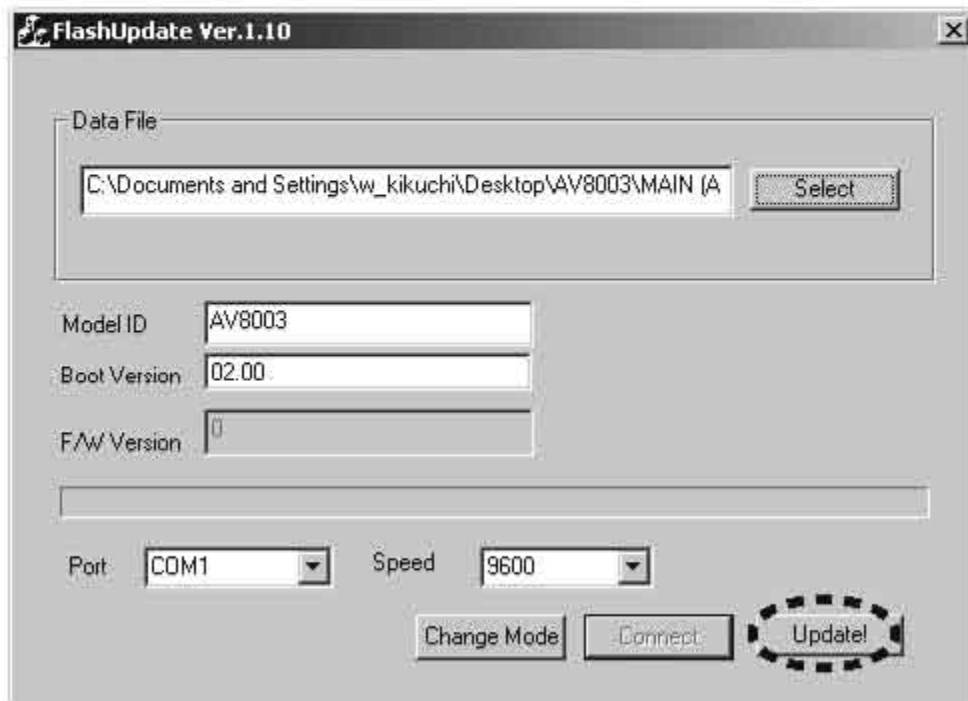
9. The FLD of the unit alternately displays "UPDATE MODE" or "CONNECTING".
10. Click the **Connect**.

9. 本機のFLディスプレイに" UPDATE MODE" と"CONNECTING"が交互に表示されます。
10. **Connect**をクリックします。



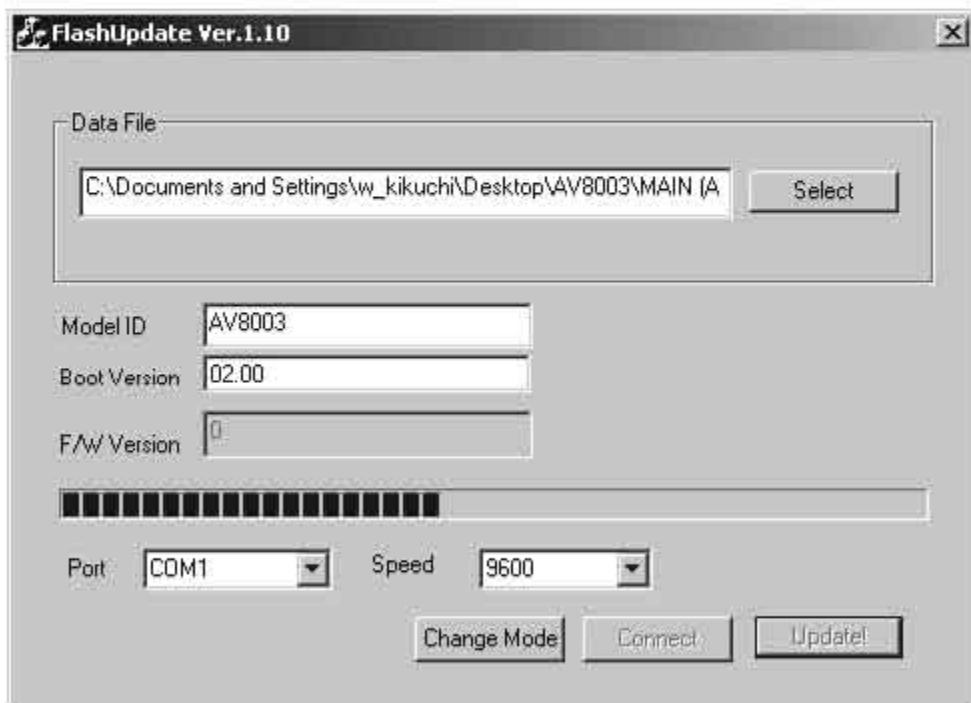
11. The **02.00** is inputted into the Boot Version automatically.
If the connection with the Main CPU is successfully made, the Update becomes active.
If the connection fails, error message will appear.
(Please check the connection.)
Click the **Update!**.

11. Boot Versionに**02.00**が入力されます。
MAINマイコンに接続ができた場合、Update!が有効になります。
接続に失敗した場合は、エラーメッセージが表示されま
す。(各接続を確認してください。)
Update!をクリックします。



12. Software is written into the MAIN CPU.
The writing of software takes about 3 minutes.
At that time, the unit keeps displaying "CONNECTING"
between a few seconds.
Then, the FLD of the unit alternately displays "UPDATE1
?%" or "UPDATE MODE".

12. MAINマイコンにソフトウェアの書き込みが開始されま
す。
書き込みにかかる時間は約3分です。
このとき、本機のFLディスプレイに"CONNECTING"を
2、3秒表示した後、"UPDATE1 ?%"と"UPDATE MODE"
を交互に表示します。



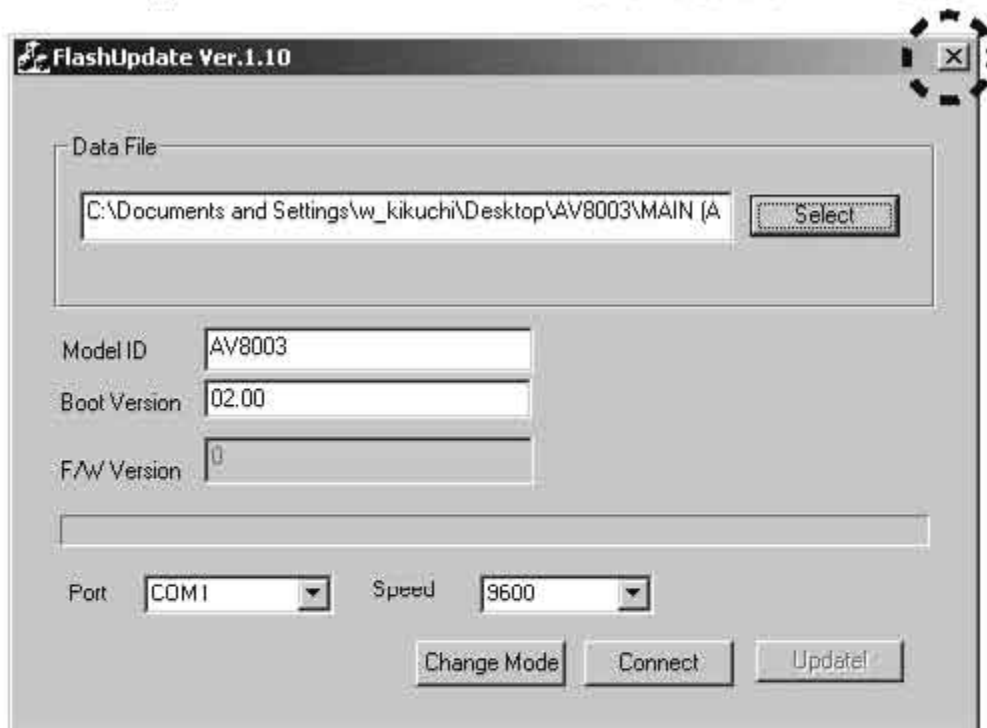
13. If the software is updated/downloaded successfully, a
dialog box saying "Update Complete" appears.
Click the OK.

13. 更新・書き込みが成功すると"Update Complete"のダイア
ログボックスが表示されます。
OKをクリックします。



14. Click the **X** to close the application.

14. **X**をクリックしてアプリケーションを閉じます。



15. Press the **POWER ON/OFF (STANDBY)** button for turn off the unit. (Except /F B, /U1B)
16. Disconnect the mains cord.
17. Disconnect the RS-232C cable from the unit.

15. **POWER ON/OFF (STANDBY)**ボタンを押して本機の電源を切ります。(F B, U1Bを除く)
16. 本機から電源ケーブルを外します。
17. 本機からRS-232Cケーブルを外します。

Mode 2: Update/Download DSP's software to Flash-ROM

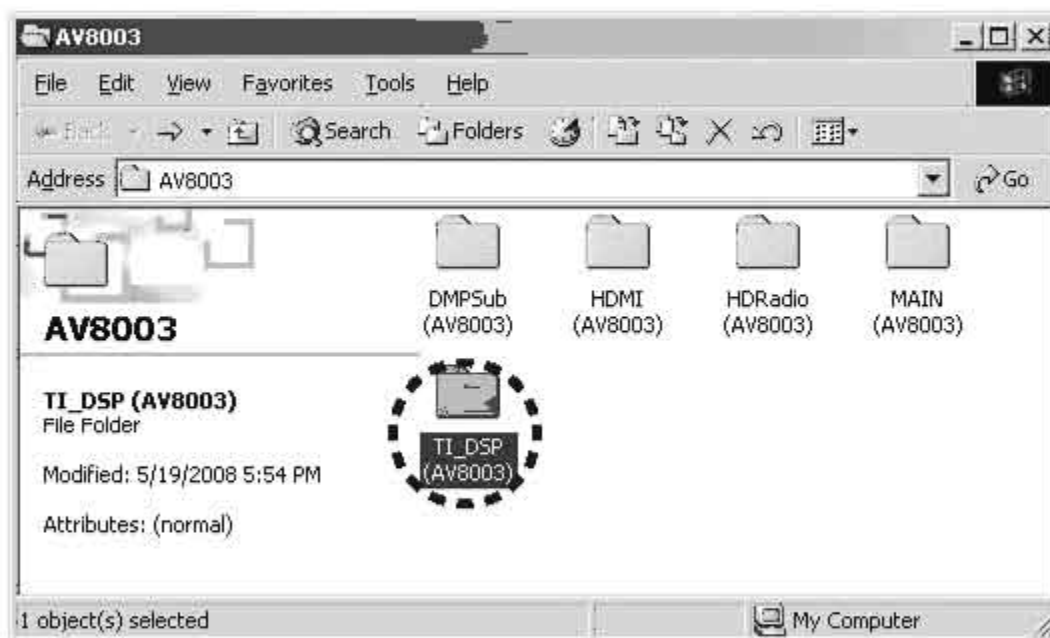
Update/Download Software for DSP (Mode 2)

1. Put the "TI_DSP (AV8003)" folder into anywhere on your PC's hard disc.

Mode 2 : Update/Download DSP's software to Flash-ROM

Update/Download Software for DSP (Mode 2)

1. "TI_DSP (AV8003)"フォルダをPCの任意のフォルダにコピーします。



2. Connect the RS-232C on rear panel of the unit and the Serial Port of windows PC with RS-232C cable.
3. Connect the mains cord into the unit.
4. Press the **POWER ON/OFF (STANDBY)** button for turn on the unit.
5. Press the **ENTER, SURROUND MODE** and **T-MODE** buttons simultaneously more than 3 seconds to turn the unit into Loading Mode.
6. The FLD shows "SELECT MAIN" after showed "LOADING MODE".
7. Turn the **INPUT SELECTOR** to change display from "SELECT MAIN" to "SELECT DSP" on FLD.
8. Press the **ENTER** button.
9. "SELECTED DSP" shows on the FLD.

2. 本機のリアパネルにあるRS-232CコネクタとWindows PCのSerialポートをRS-232Cケーブルで接続します。
3. 本機に電源ケーブルを差します。
4. **POWER ON/OFF (STANDBY)**ボタンを押し、本機の電源を入れます。
5. **ENTER, SURROUND MODE, T-MODE**の3つボタンを同時に3秒以上押し続け、本機をローディングモードにします。
6. FLに"LOADING MODE"と表示された後、"SELECT MAIN"と表示されます。
7. 本機の**INPUT SELECTOR**を回して、FLの表示を"SELECT MAIN"から"SELECT DSP"に換えます。
8. **ENTER**ボタンを押します。
9. FLに"SELECTED DSP"と表示されます。

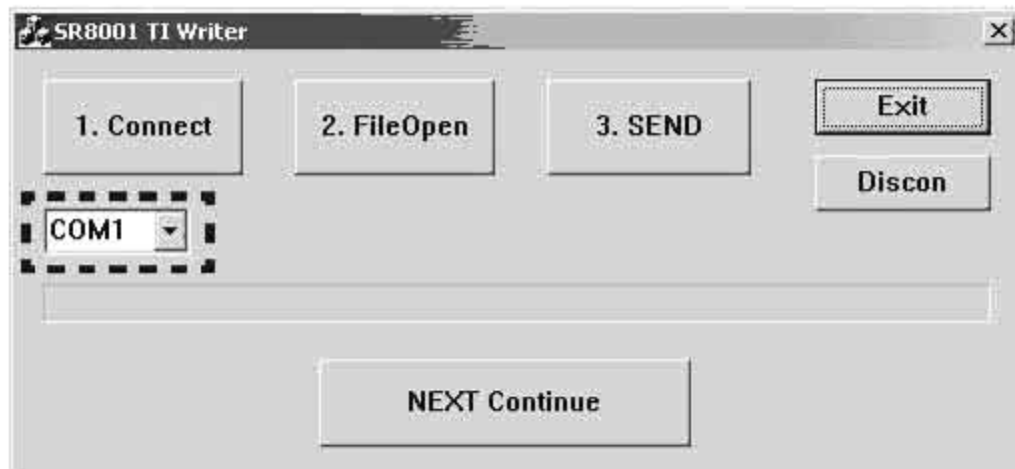
10. Double click the da708_writer.exe. And launch the SR8001 TI Writer.

10. da708_writer.exeをダブルクリックし、SR8001 TI Writerを起動します。



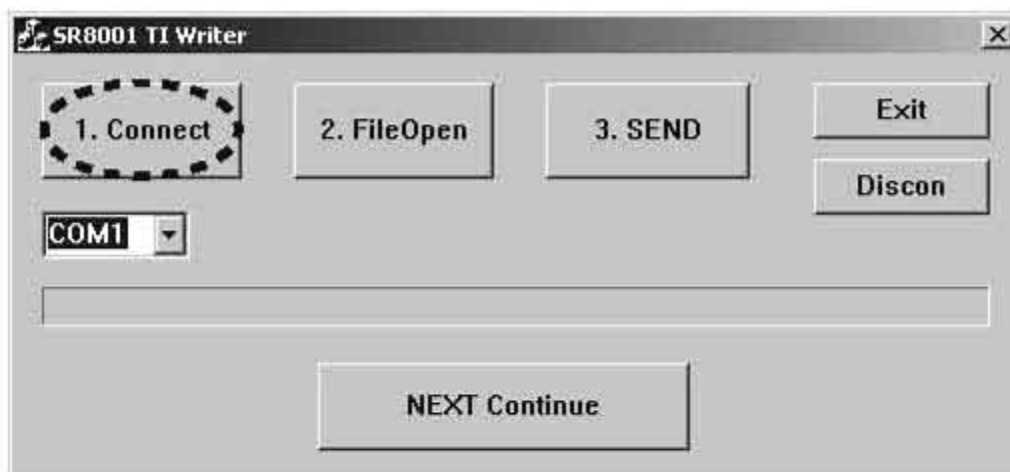
11. Choose the COM Port number.

11. 使用するCOMポート番号を選択します。



12. Click the **Connect**.

12. **Connect**をクリックします。



13. "Connection OK!!" appears on SR8001 TI Writer. And click the **FileOpen**.

13. SR8001 TI Writer上に"Connection OK!!"と表示されたら、**FileOpen**をクリックします。

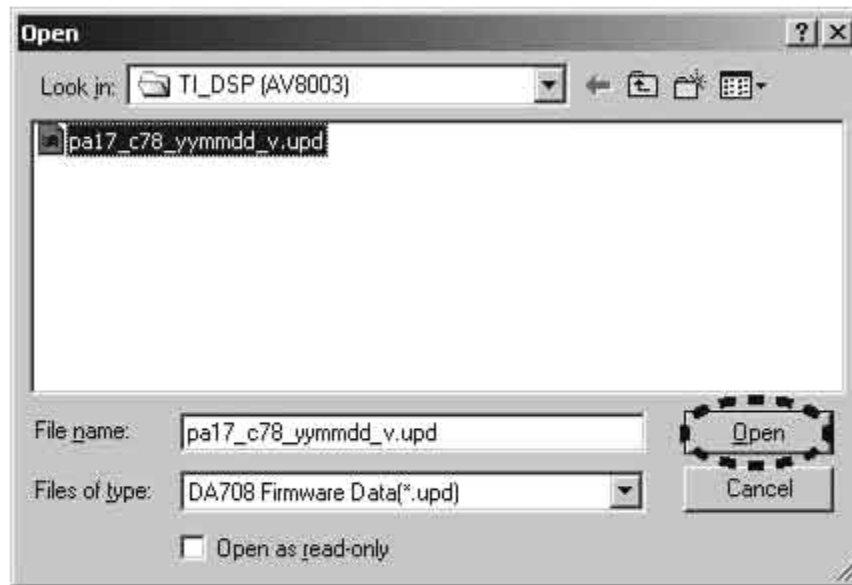


14. Choose the pa17_c78_yymmdd_v.upd. And click the **Open**.

NOTE : The yy is two digits of year. The mm is month. The dd is date. The v is release number.

14. pa17_c78_yymmdd_v.updを選択し、**Open**をクリックします。

注意：yyは年の下二桁、mmは月、ddは日、vはリリース番号



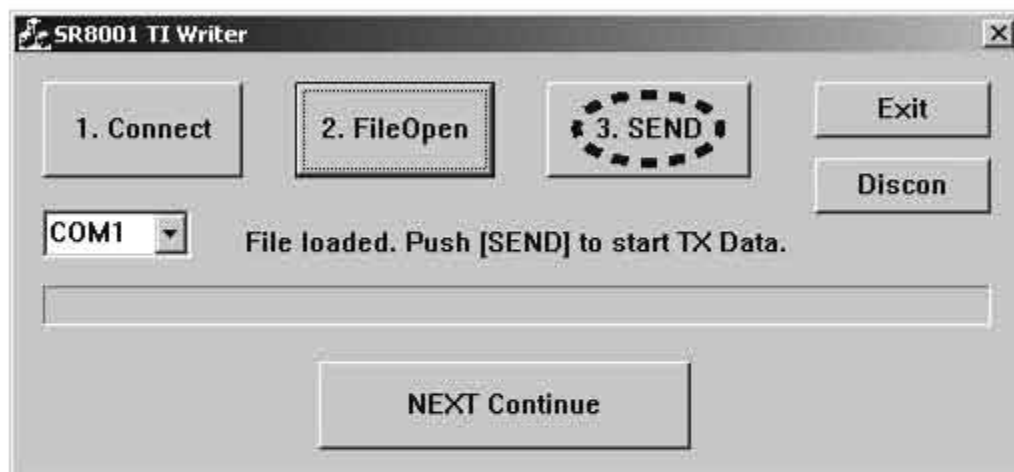
15. Click the **OK**.

15. **OK**をクリックします。



16. Click the **SEND**.

16. **SEND**をクリックします。



17. Software is written into the DSP Flash ROM.
The writing of software takes about 6 minutes and 30 seconds.

17. ソフトウェアがDSPフラッシュROMに書き込まれます。
書き込みにかかる時間は約6分30秒です。



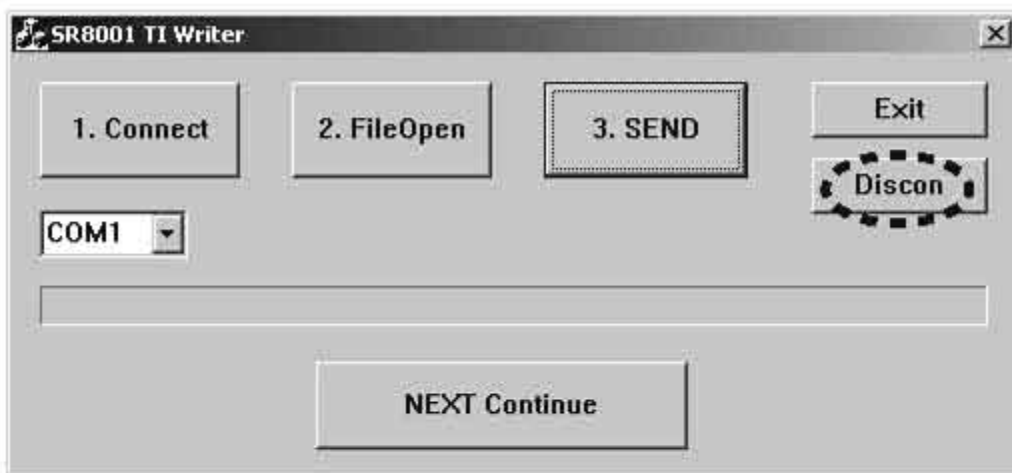
18. Click the **OK**.

18. **OK**をクリックします。



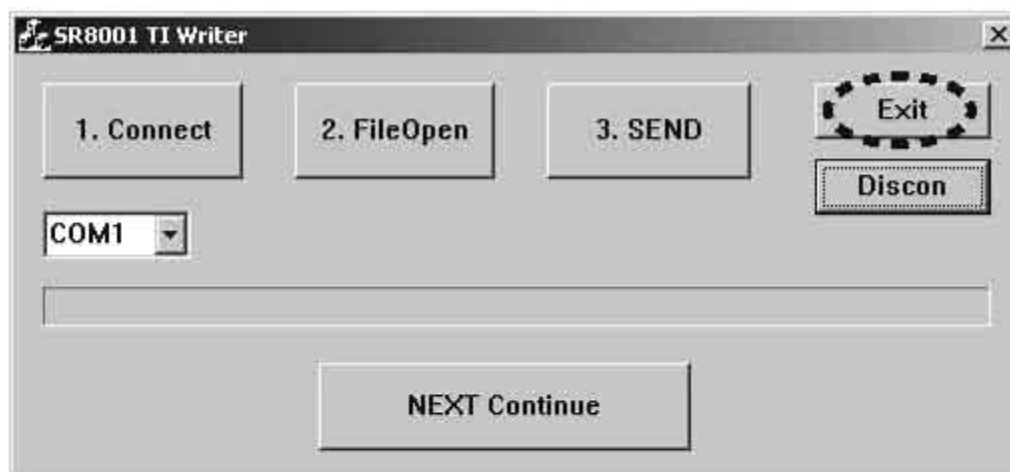
19. Click the **Discon**.

19. **Discon**をクリックします。



20. Click the **Exit**.

20. **Exit**をクリックします。



21. Press the **POWER ON/OFF (STANDBY)** button for turn off the unit. (Except /F B, /U1B)
22. Disconnect the mains cord.
23. Disconnect the RS-232C cable from the unit.

21. **POWER ON/OFF (STANDBY)**ボタンを押し、本機の電源を切ります。(F B, U1Bを除く)
22. 本機から電源コードを外します。
23. 本機からRS-232Cケーブルを外します。

Mode 3 : Update/Download HDMI CPU's software to internal Flash-ROM.

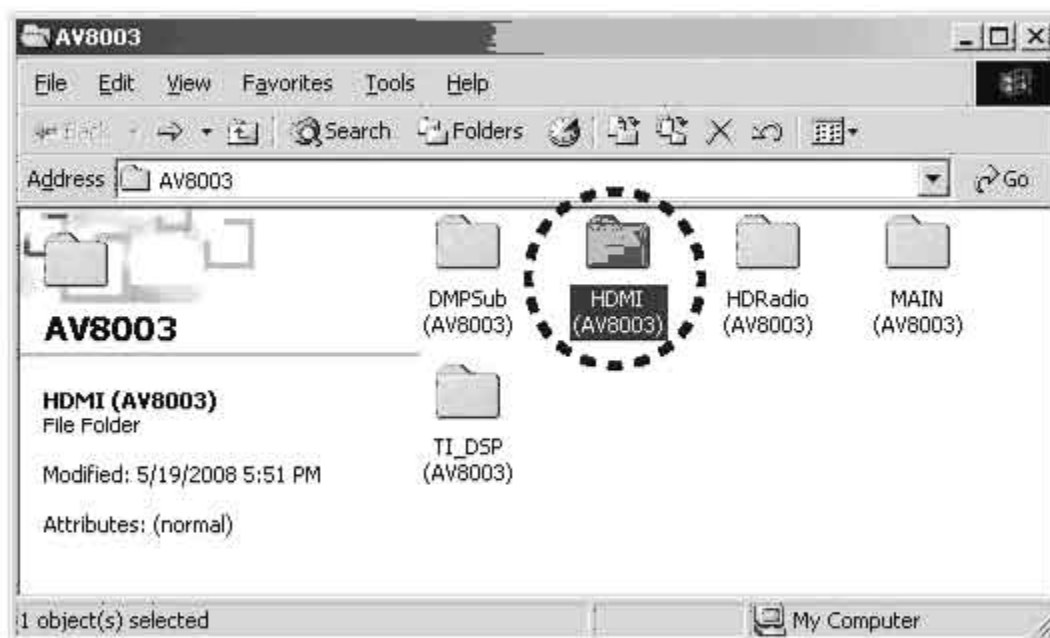
Update/Download Software for HDMI CPU (Mode 3)

1. Put the "HDMI" folder into anywhere on your PC's hard disc.

Mode 3 : Update/Download HDMI CPU's software to internal Flash-ROM.

Update/Download Software for HDMI CPU (Mode 3)

1. "HDMI"フォルダをPCの任意のフォルダにコピーします。

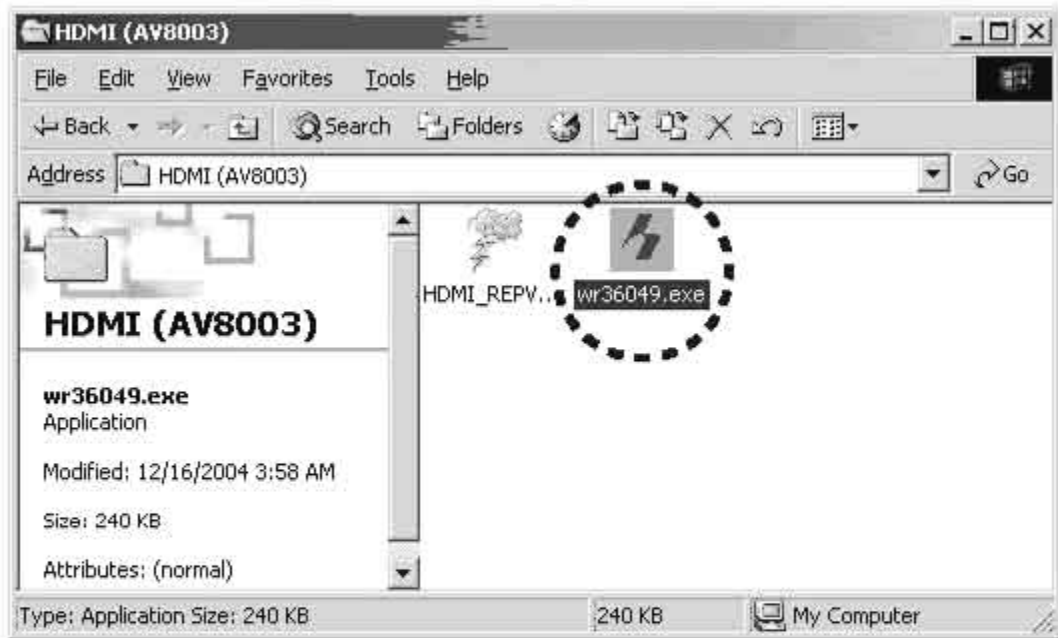


2. Connect the RS-232C on rear panel of the unit and the Serial Port of windows PC with RS-232C cable.
3. Connect the mains cord into the unit.
4. Press the **POWER ON/OFF (STANDBY)** button for turn on the unit.
5. Press the **ENTER, SURROUND MODE** and **T-MODE** buttons simultaneously more than 3 seconds to turn the unit into Loading Mode.
6. The FLD shows "SELECT MAIN" after showed "LOADING MODE".
7. Turn the **INPUT SELECTOR** to change display from "SELECT MAIN" to "SELECT HDMI" on FLD.
8. Press the **ENTER** button.
9. "SELECTED HDMI" shows on the FLD.

2. 本機のリアパネルにあるRS-232CコネクタとWindows PCのSerialポートをRS-232Cケーブルで接続します。
3. 本機に電源ケーブルを差します。
4. **POWER ON/OFF (STANDBY)**ボタンを押し、本機の電源を入れます。
5. **ENTER, SURROUND MODE, T-MODE**の3つボタンを同時に3秒以上押し続け、本機をローディングモードにします。
6. FLに"LOADING MODE"と表示された後、"SELECT MAIN"と表示されます。
7. 本機の**INPUT SELECTOR**を回して、FLの表示を"SELECT MAIN"から"SELECT HDMI"に換えます。
8. **ENTER**ボタンを押します。
9. FLに"SELECTED HDMI"と表示されます。

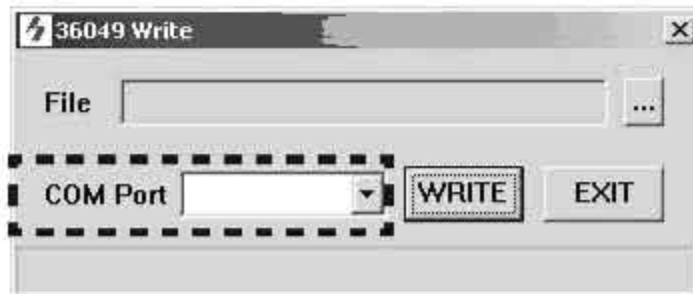
10. Double click the wr36049.exe. And Launch the 36049 Write.

10. wr36049.exeをダブルクリックし、36049 Writeを起動します。



11. Choose the COM Port number.

11. 使用するCOMポート番号を選択します。



12. Click the ... (browse).

12. ... (browse)をクリックします。

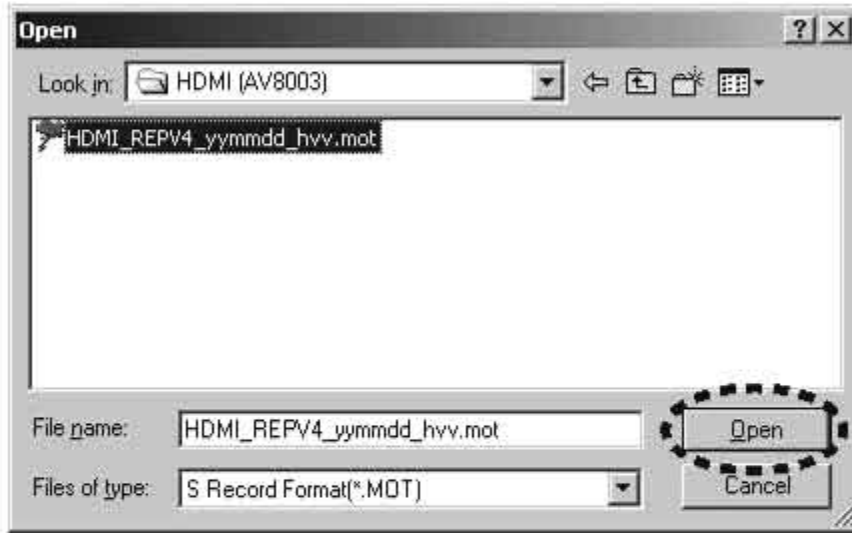


13. Choose the HDMI_REPV4_yymmdd_hvv.upd. And click the **Open**.

NOTE : The yy is two digits of year. The mm is month. The dd is date. The vv is release number.

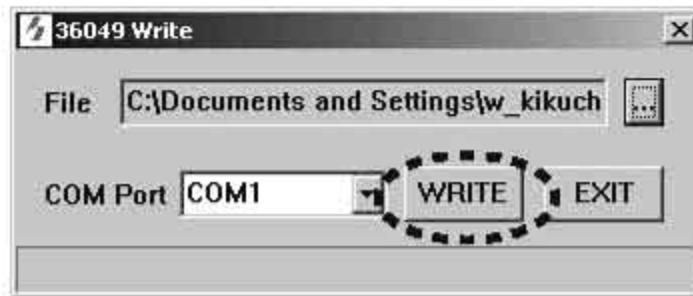
13. HDMI_REPV4_yymmdd_hvv.updを選択し、**Open**をクリックします。

注意 : yyは年の下二桁、mmは月、ddは日、vvはリリース番号



14. Click the **WRITE**.

14. **WRITE**をクリックします。



15. Click the **OK** to start update/download.
The writing of software takes about 2 minutes.

15. **OK**をクリックし書き込みを開始します。(ダイアログボックスの文字は無視してください。)
書き込みにかかる時間は約2分です。



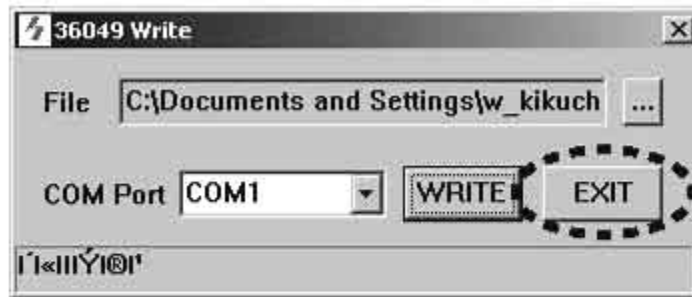
16. Click the **OK**.

16. **OK**をクリックします。(ダイアログボックスの文字は無視してください。)



17. Click the **Exit**.

17. **Exit**をクリックします。



18. Press the **POWER ON/OFF (STANDBY)** button for turn off the unit. (Except /F B, /U1B)

19. Disconnect the mains cord.

20. Disconnect the RS-232C cable from the unit.

18. **POWER ON/OFF (STANDBY)**ボタンを押し、本機の電源を切ります。(F B, U1Bを除く)

19. 本機から電源コードを外します。

20. 本機からRS-232Cケーブルを外します。

Mode 4 : Update/Download HD Radio CPU's software to internal Flash-ROM.

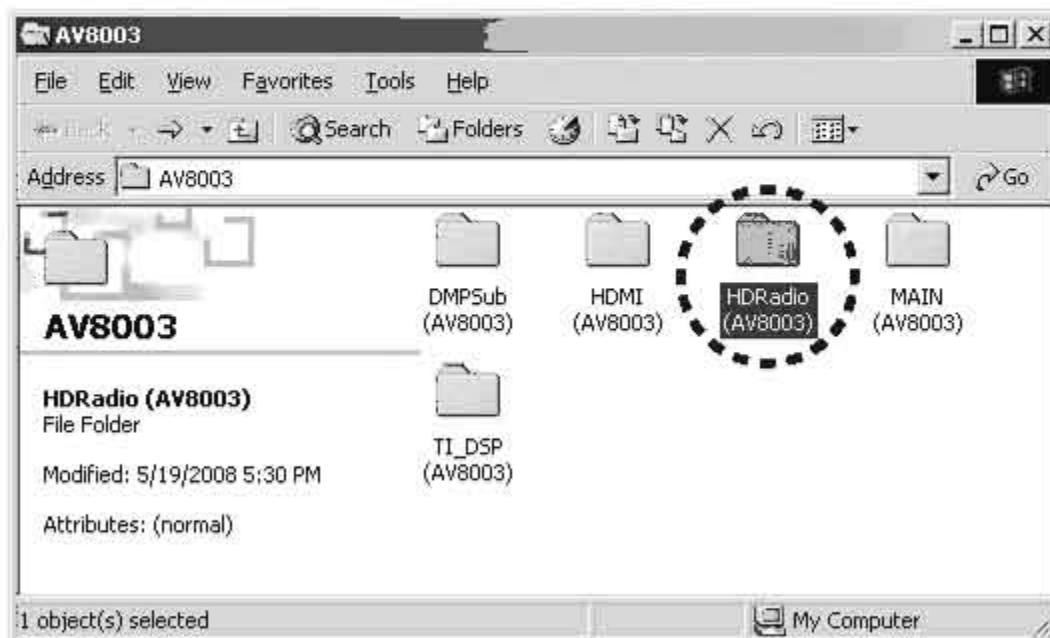
Update/Download Software for HD Radio CPU (Mode 4) (U1B only)

1. Put the "HDRadio (AV8003)" folder into anywhere on your PC's hard disc.

Mode 4 : Update/Download HD Radio CPU's software to internal Flash-ROM.

Update/Download Software for HD Radio CPU (Mode 4) (U1B only)

1. "HDRadio (AV8003)"フォルダをPCの任意のフォルダにコピーします。

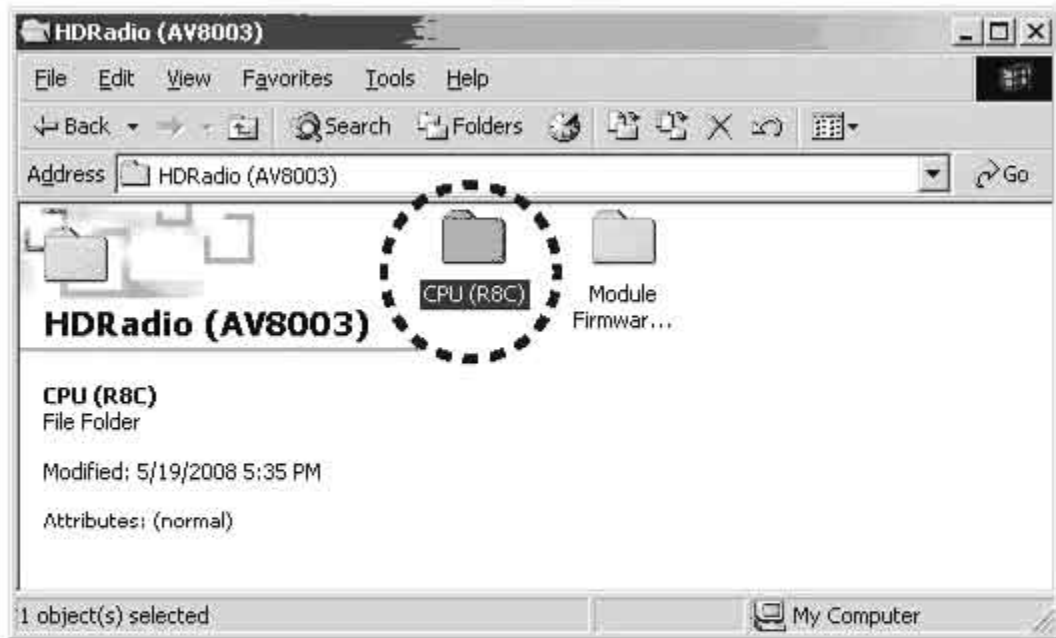


2. Connect the RS-232C on rear panel of the unit and the Serial Port of windows PC with RS-232C cable.
3. Connect the mains cord into the unit.
4. Press the **POWER ON/OFF (STANDBY)** button for turn on the unit.
5. Press the **ENTER, SURROUND MODE** and **T-MODE** buttons simultaneously more than 3 seconds to turn the unit into Loading Mode.
6. The FLD shows "SELECT MAIN" after showed "LOADING MODE".
7. Turn the **INPUT SELECTOR** to change display from "SELECT MAIN" to "SELECT HDR" on FLD.
8. Press the **ENTER** button.
9. "SELECTED HDR" shows on the FLD.

2. 本機のリアパネルにあるRS-232CコネクタとWindows PCのSerialポートをRS-232Cケーブルで接続します。
3. 本機に電源ケーブルを差します。
4. **POWER ON/OFF (STANDBY)**ボタンを押し、本機の電源を入れます。
5. **ENTER, SURROUND MODE, T-MODE**の3つボタンを同時に3秒以上押し続け、本機をローディングモードにします。
6. FLに"LOADING MODE"と表示された後、"SELECT MAIN"と表示されます。
7. 本機の**INPUT SELECTOR**を回して、FLの表示を"SELECT MAIN"から"SELECT HDR"に換えます。
8. **ENTER**ボタンを押しします。
9. FLに"SELECTED HDR"と表示されます。

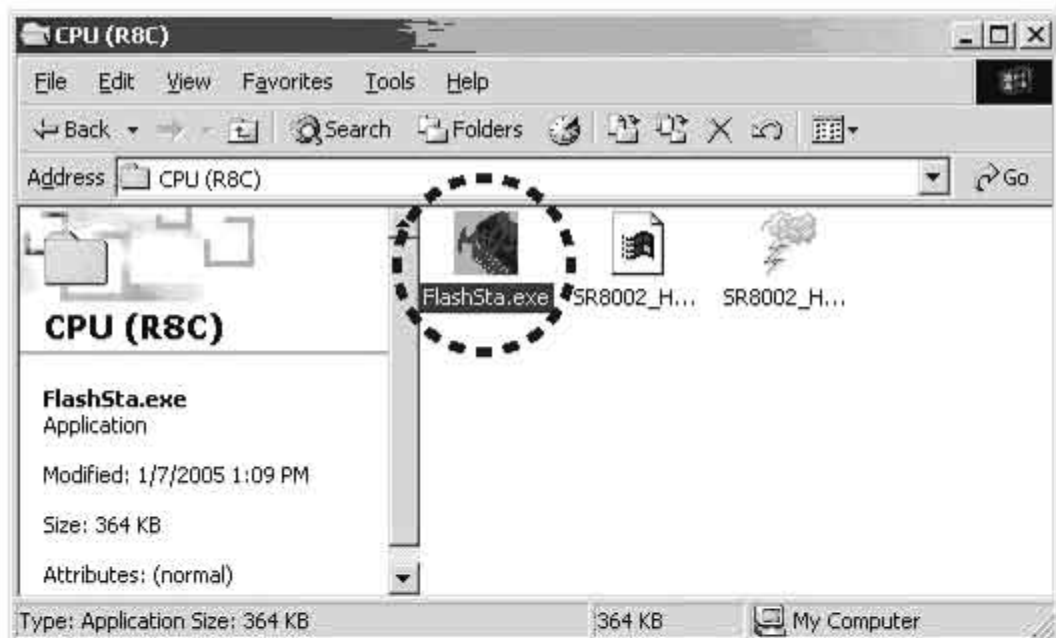
10. Double click the CPU (R8C) folder in the HDRadio (AV8003) folder.

10. HDRadioフォルダ内のCPU (R8C)フォルダをダブルクリックします。



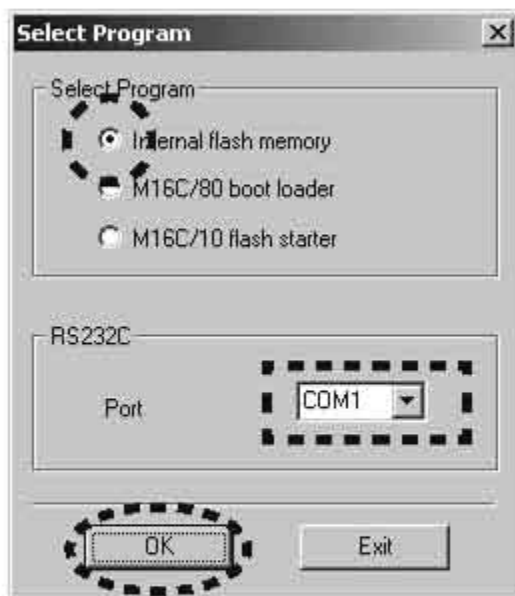
11. Double click the FlashSta.exe. And launch the M16 Flash Start.

11. FlashSta.exeをダブルクリックし、M16 Flash Startを起動します。



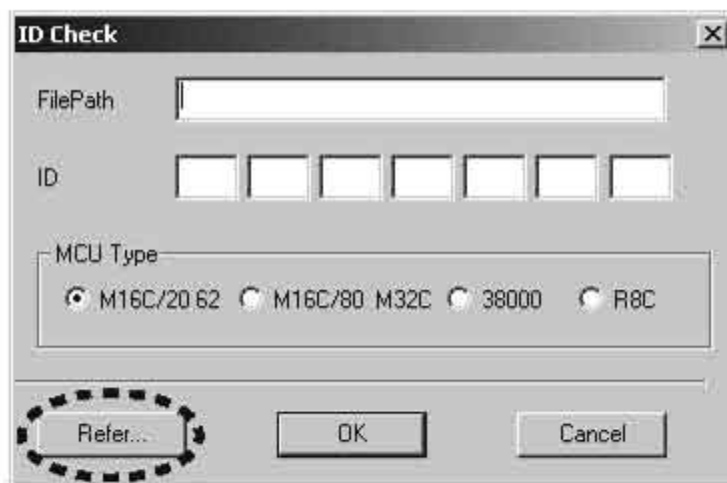
12. Check the **Internal flash memory** in the Select Program.
Choose the **COM Port number**.
And click the **OK**.

12. Select Programの**Internal flash memory**にチェックをして下さい。
使用する**COMポート** 番号を選択します。
OKをクリックします。



13. Click the **Refer...**

13. **Refer...**をクリックします。

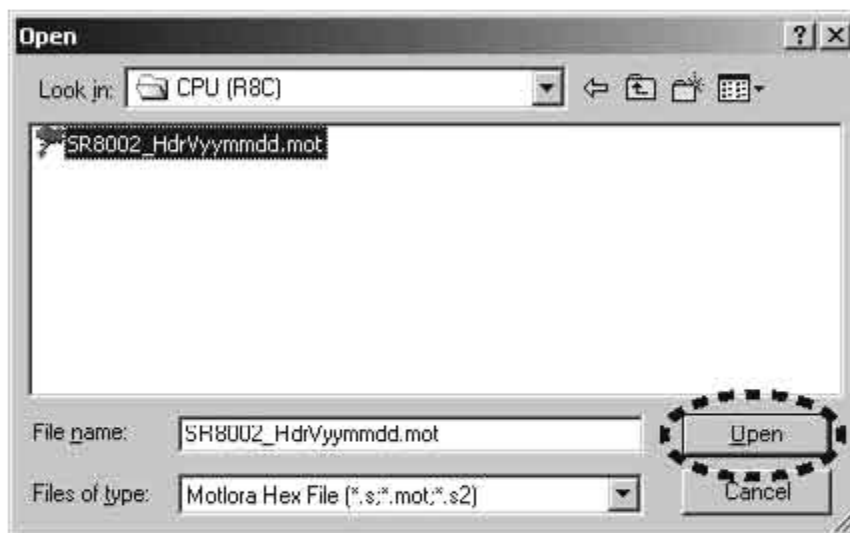


14. Choose the SR8002_HdrVyyymmdd.mot. And click the **Open**.

NOTE : The yy is two digits of year. The mm is month. The dd is date.

14. SR8002_HdrVyyymmdd.motを選択し、**Open**をクリックします。

注意 : yyは年の下二桁、mmは月、ddは日



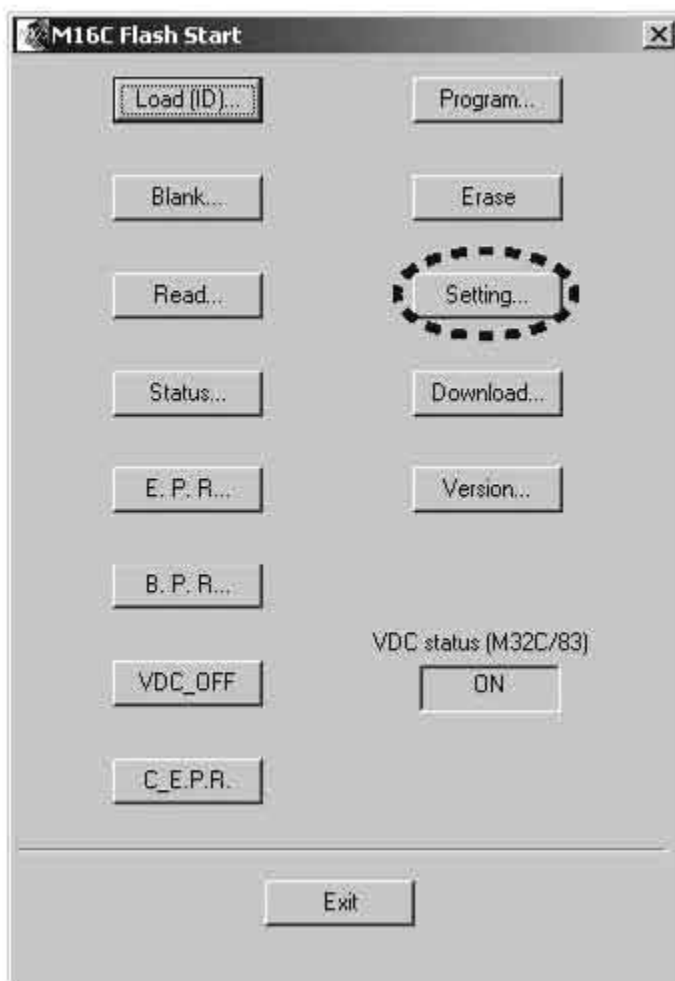
15. The FilePath and ID are inputted automatically, and the MCU Type is selected to R8C automatically. Click the **OK**.

15. FilePathとIDは自動的に記入され、MCU TypeはR8Cが選ばれます。**OK**をクリックします。



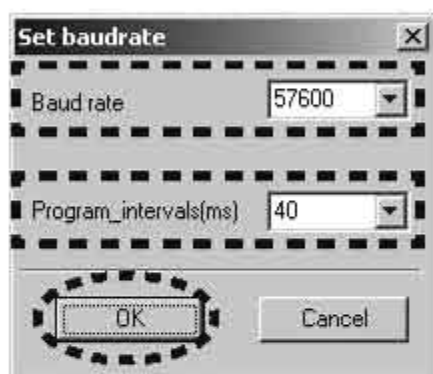
16. Click the **Setting...**

16. **Setting..**をクリックします。



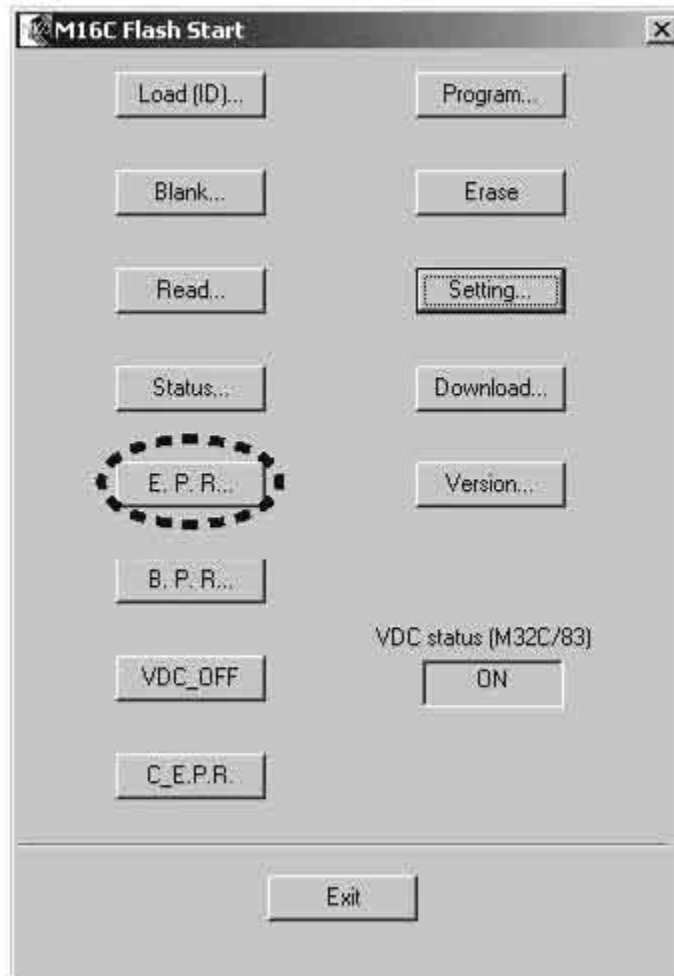
17. Choose the **57600** in the Baud rate. (DO NOT choose the other one.)
Choose the **40** in Program_intervals(ms).
Click the **OK**.

17. Baud rateから**57600**を選択します。(他の設定値は選ばないで下さい。)
Program_intervals(ms)を**40**にします
OKをクリックします。



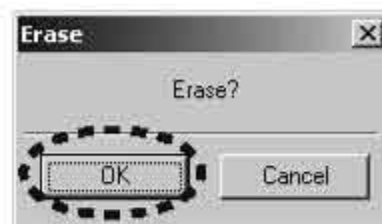
18. Click the **E.P.R...**

18. **E.P.R...**をクリックします。



19. Click the **OK**.

19. **OK**をクリックします。



20. Software is written into the internal Flash-ROM of HD Radio CPU.
The writing of software takes about 20 seconds.

20. ソフトウェアがHD Radio CPUの内部フラッシュROMに書き込まれます。
書き込みにかかる時間は約20秒です。



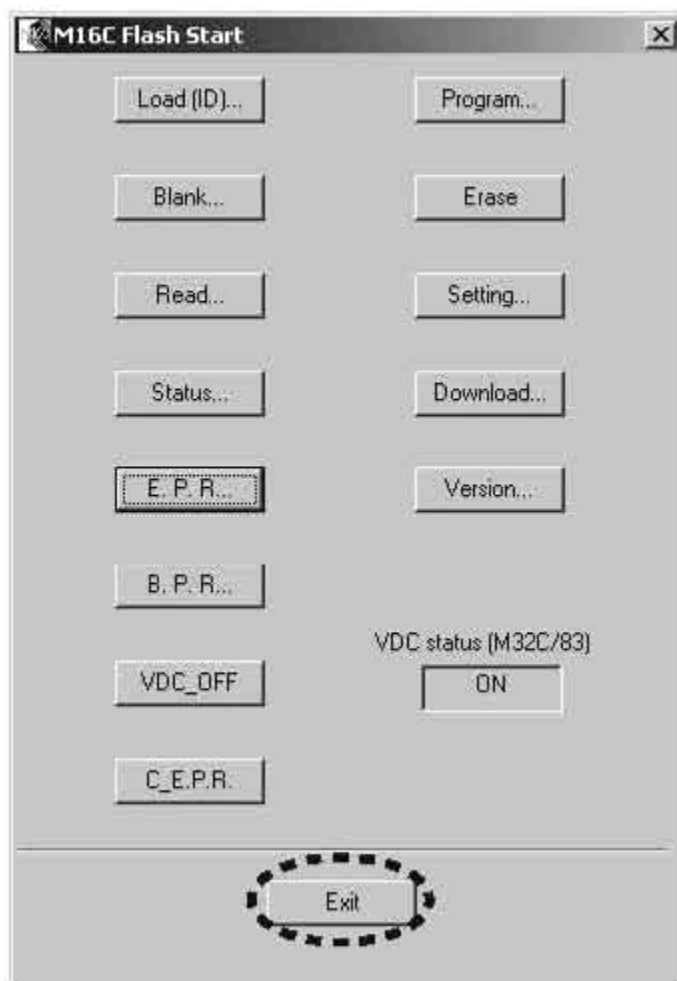
21. Click the OK.

21. OKをクリックします。



22. Click the **Exit**.

18. **Exit**をクリックします。



23. Disconnect the mains cord.

19. 本機から電源コードを外します。

24. Disconnect the RS-232C cable from the unit.

20. 本機からRS-232Cケーブルを抜きます

Mode 5 : Update/Download HD Radio Module's software.

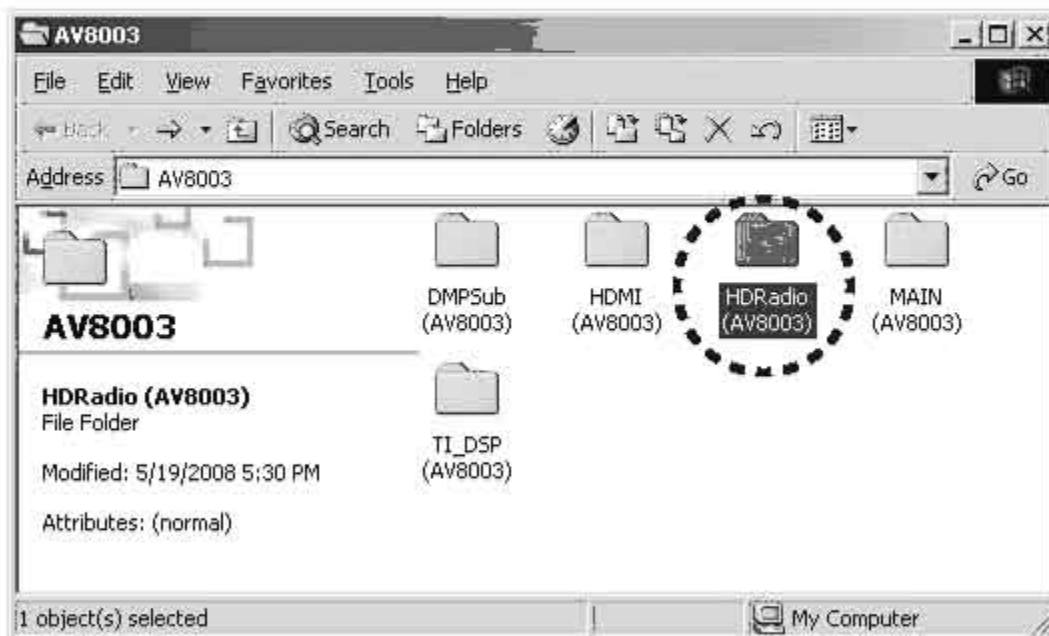
Update/Download Software for HD Radio Module (Mode 5) (U1B only)

1. Put the "HDRadio (AV8003)" folder into anywhere on your PC's hard disc.

Mode 5 : Update/Download HD Radio Module's software.

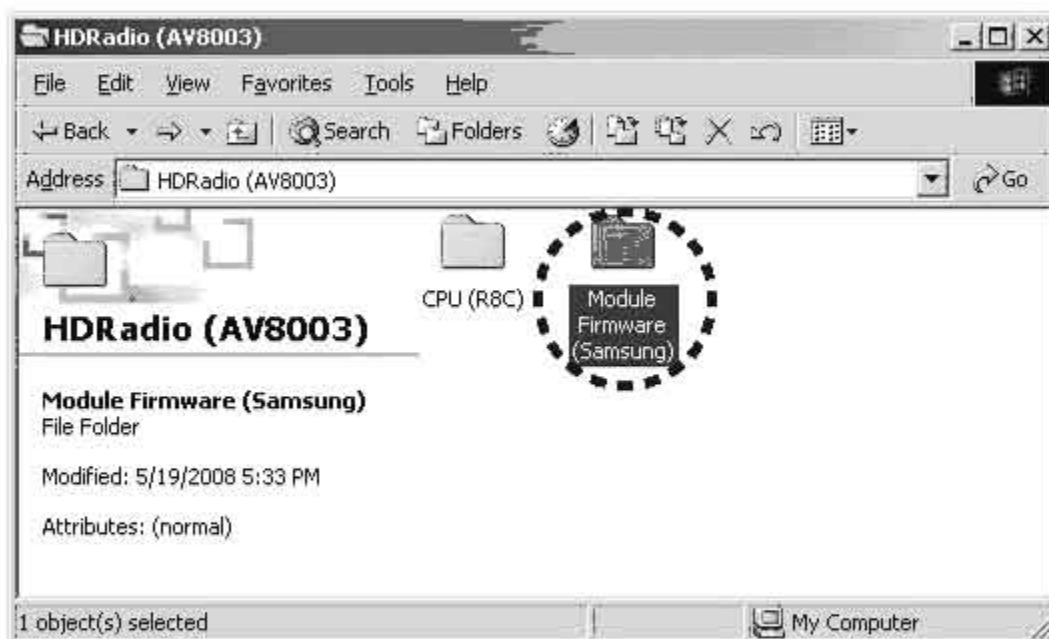
Update/Download Software for HD Radio Module (Mode 5) (U1B only)

1. "HDRadio (AV8003)"フォルダをPCの任意のフォルダにコピーします。

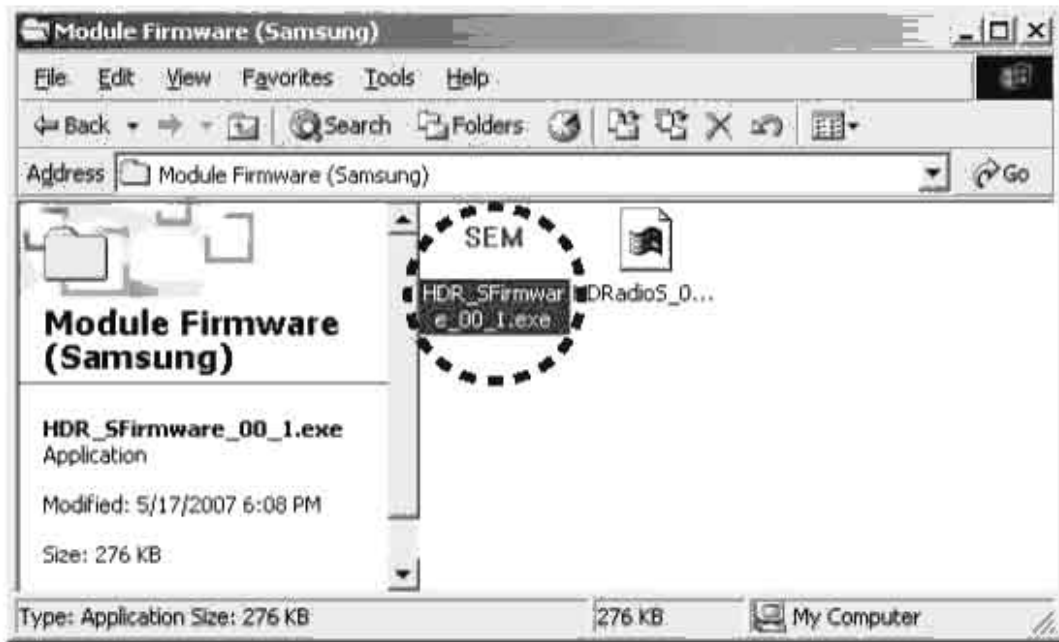


2. Connect the RS-232C on rear panel of the unit and the Serial Port of windows PC with RS-232C cable.
3. Connect the mains cord into the unit.
4. Press the **POWER ON/OFF (STANDBY)** button for turn on the unit.
5. Double click the Module firmware (Samsung) folder in the HDRadio (AV8003) folder.

2. 本機のリアパネルにあるRS-232CコネクタとWindows PCのSerialポートをRS-232Cケーブルで接続します。
3. 本機に電源ケーブルを差します。
4. **POWER ON/OFF (STANDBY)**ボタンを押し、本機の電源を入れます。
5. HDRadio (AV8003)フォルダ内のModule firmware (Samsung)フォルダをダブルクリックします。



6. Double click the HDR_SFirmware_00_1.exe. And launch the SAMSUNG HDR Firmware upgrade.
6. HDR_SFirmware_00_1.exeをダブルクリックし、SAMSUNG HDR Firmware Upgradeを起動します。



7. Choose the COM Port number.
7. 使用するCOMポート番号を選択します。



8. Click the ... (browse).

8. ... (browse)をクリックします。



9. Choose the HDRadioS_00BU_vv_xx.hex. And click the **Open**.

9. HDRadioS_00BU_vv_xx.hexを選択し、**Open**をクリックします。

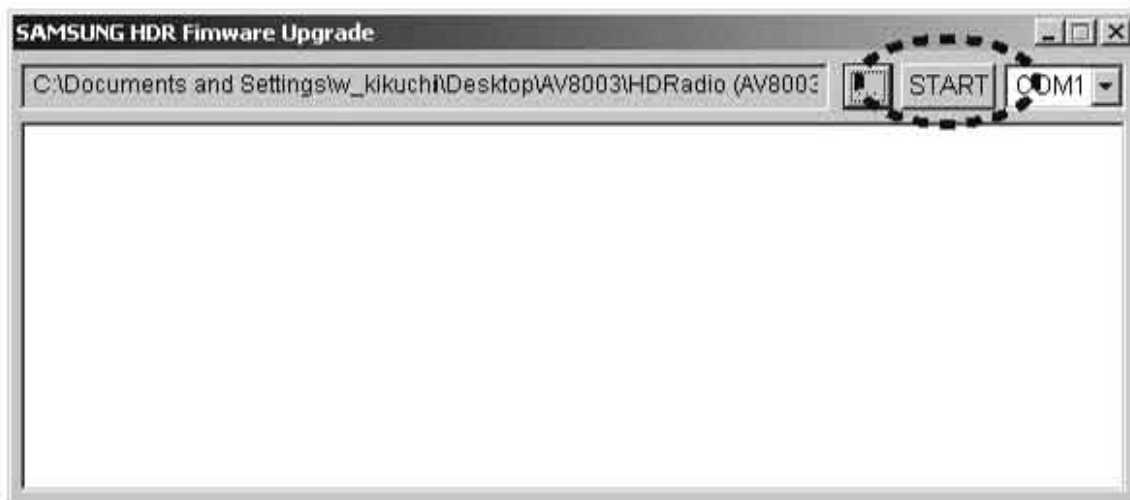
NOTE : The vv is major revision number, The xx is minor revision number.

注意 : vvはメジャー改版番号、xxはマイナー改版番号



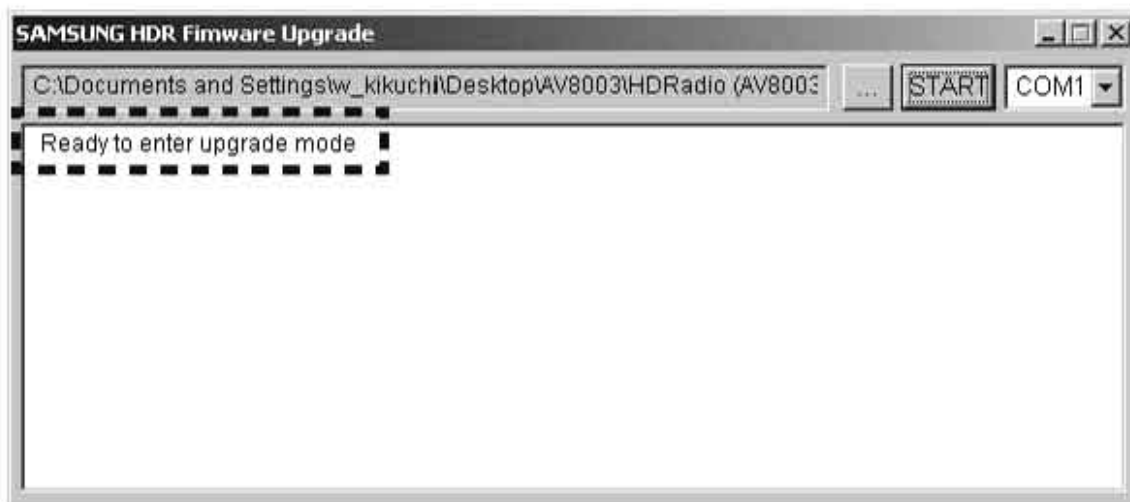
10. Click the **START**.

10. **START**をクリックします。



11. Check the "Ready to enter upgrade mode" appear on the command line.

11. コマンドラインに"Ready to enter upgrade mode"が表示されたことを確認します。

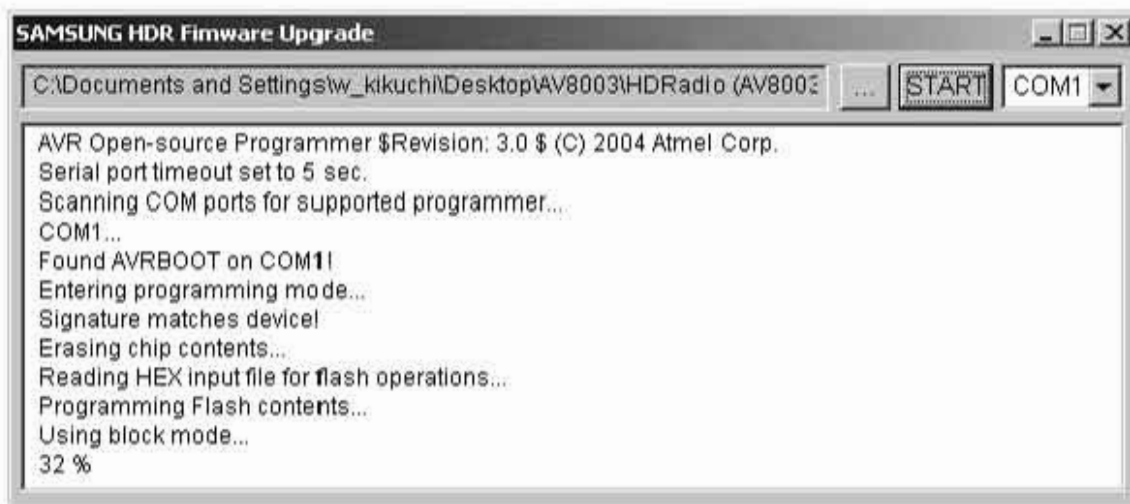


12. Press the **ENTER**, **SURROUND MODE** and **T-MODE** buttons simultaneously more than 3 seconds to turn the unit into Loading Mode.
13. The FLD shows "SELECT MAIN" after showed "LOADING MODE".
14. Turn the **INPUT SELECTOR** to change display from "SELECT MAIN" to "SELECT HDRM" on FLD.
15. Press the **ENTER** button.

12. **ENTER**, **SURROUND MODE**, **T-MODE**の3つボタンを同時に3秒以上押し続け、本機をローディングモードにします。
13. FLに"LOADING MODE"と表示された後、"SELECT MAIN"と表示されます。
14. 本機の**INPUT SELECTOR**を回して、FLの表示を"SELECT MAIN"から"SELECT HDRM"に換えます。
15. **ENTER**ボタンを押します。

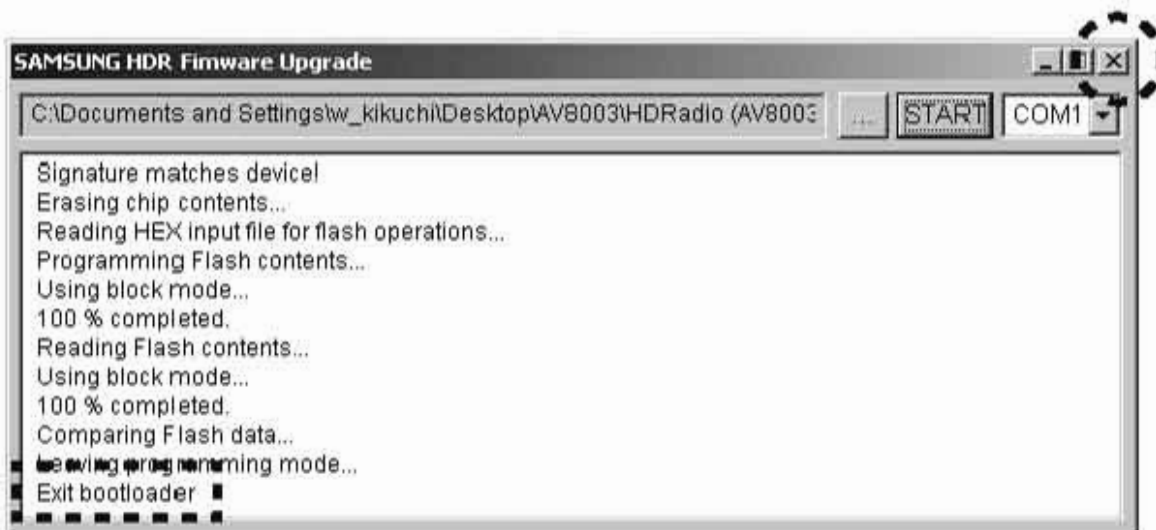
16. "SELECTED HDRM" shows on the FLD. And then software is written into the HD Radio module. The writing of software takes about 1 minute.

16. FLに"SELECTED HDRM"と表示され、ソフトウェアがHD Radioモジュールに書き込まれます。書き込みにかかる時間は約1分です。



17. Check the "Exit bootlader" appear on the command line. Click the **X** icon.

17. コマンドラインに"Exit bootlader"が表示されたことを確認し、**X**アイコンをクリックします。



18. Disconnect the mains cord.
19. Disconnect the RS-232C cable from the unit.

18. 本機から電源コードを外します。
19. 本機からRS-232Cケーブルを抜きます。

Mode 6 : Update/Download DMP Sub CPU's software to internal Flash-ROM.

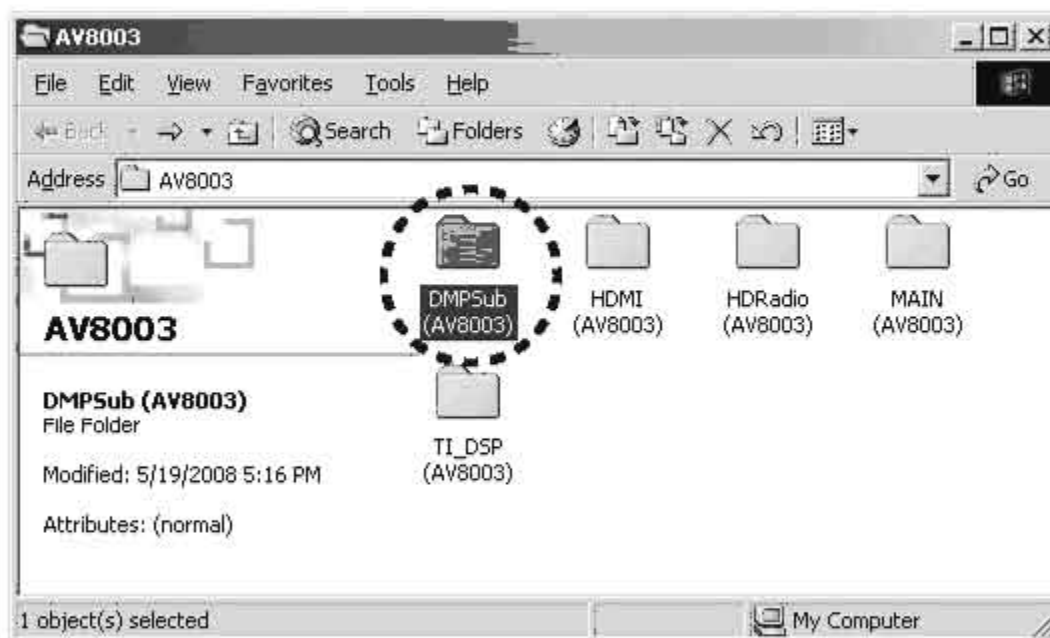
Update/Download Software for DMP Sub CPU (Mode 6)

1. Put the "DMPSub (AV8003)" folder into anywhere on your PC's hard disc.

Mode 6 : Update/Download DMP Sub CPU's software to internal Flash-ROM.

Update/Download Software for DMP Sub CPU (Mode 6)

1. "DMPSub (AV8003)"フォルダをPCの任意のフォルダにコピーします。

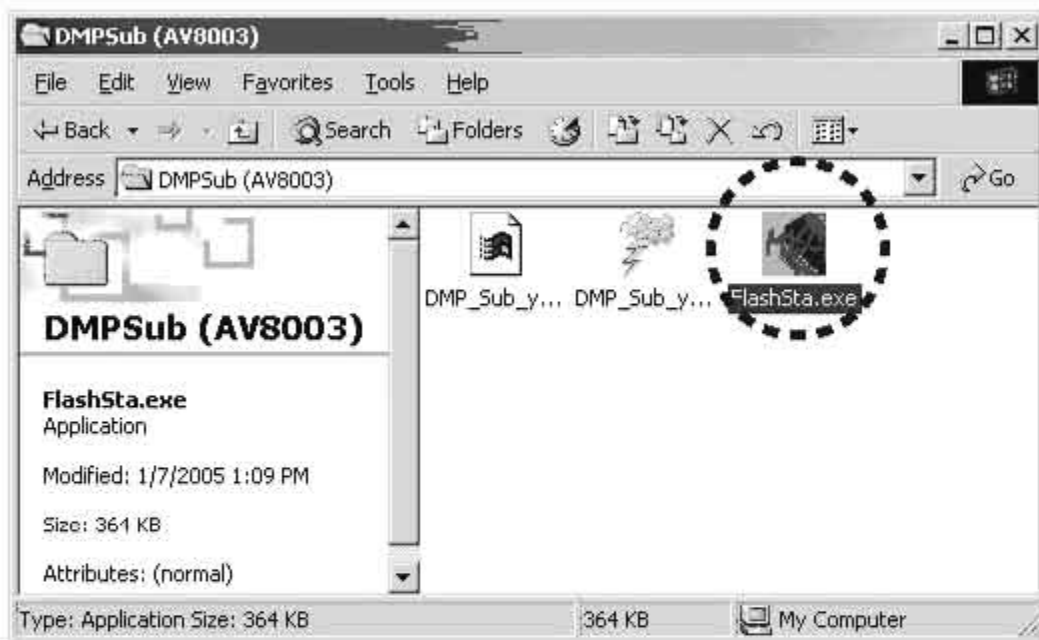


2. Connect the RS-232C on rear panel of the unit and the Serial Port of windows PC with RS-232C cable.
3. Connect the mains cord into the unit.
4. Press the **POWER ON/OFF (STANDBY)** button for turn on the unit.
5. Press the **ENTER, SURROUND MODE** and **T-MODE** buttons simultaneously more than 3 seconds to turn the unit into Loading Mode.
6. The FLD shows "SELECT MAIN" after showed "LOADING MODE".
7. Turn the **INPUT SELECTOR** to change display from "SELECT MAIN" to "SELECT DMP" on FLD.
8. Press the **ENTER** button.
9. "SELECTED DMP" shows on the FLD.

2. 本機のリアパネルにあるRS-232CコネクタとWindows PCのSerialポートをRS-232Cケーブルで接続します。
3. 本機に電源ケーブルを差します。
4. **POWER ON/OFF (STANDBY)**ボタンを押し、本機の電源を入れます。
5. **ENTER, SURROUND MODE, T-MODE**の3つボタンを同時に3秒以上押し続け、本機をローディングモードにします。
6. FLに"LOADING MODE"と表示された後、"SELECT MAIN"と表示されます。
7. 本機の**INPUT SELECTOR**を回して、FLの表示を"SELECT MAIN"から"SELECT DMP"に換えます。
8. **ENTER**ボタンを押しします。
9. FLに"SELECTED DMP"と表示されます。

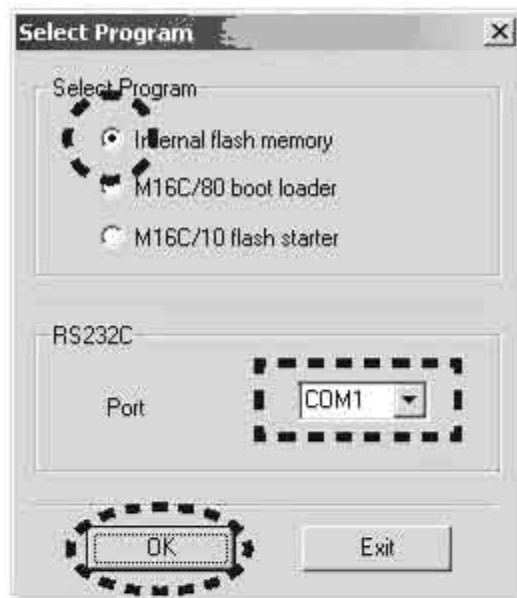
10. Double click the FlashSta.exe. And launch the M16 Flash Start.

10. FlashSta.exeをダブルクリックし、M16 Flash Startを起動します。



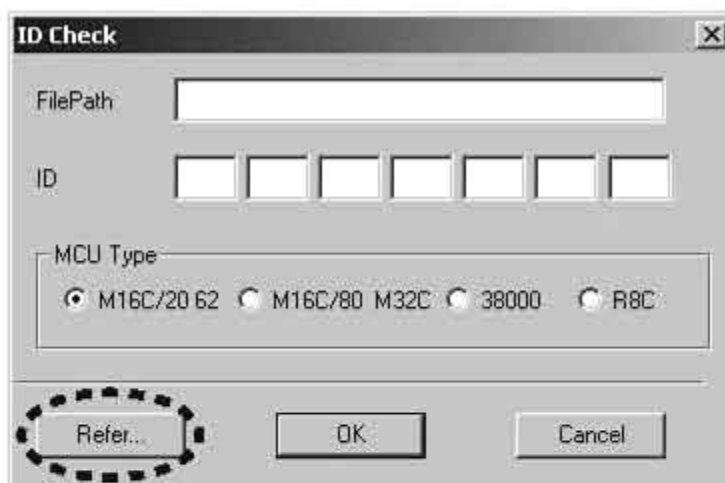
11. Check the **Internal flash memory** in the Select Program.
Choose the **COM Port number**.
And click the **OK**.

11. Select Programの**Internal flash memory**にチェックをして下さい。
使用する**COM**ポート番号を選択します。
OKをクリックします。



12. Click the **Refer...**

12. **Refer...**をクリックします。



13. Choose the DMP_Sub_yymmddvv.mot. And click the **Open**.

NOTE : The yy is two digits of year. The mm is month. The dd is date. The vv is release number.

13. SR8002_HdrVyyymmdd.motを選択し、**Open**をクリックします。

注意 : yyは年の下二桁、mmは月、ddは日、vvはリリース番号



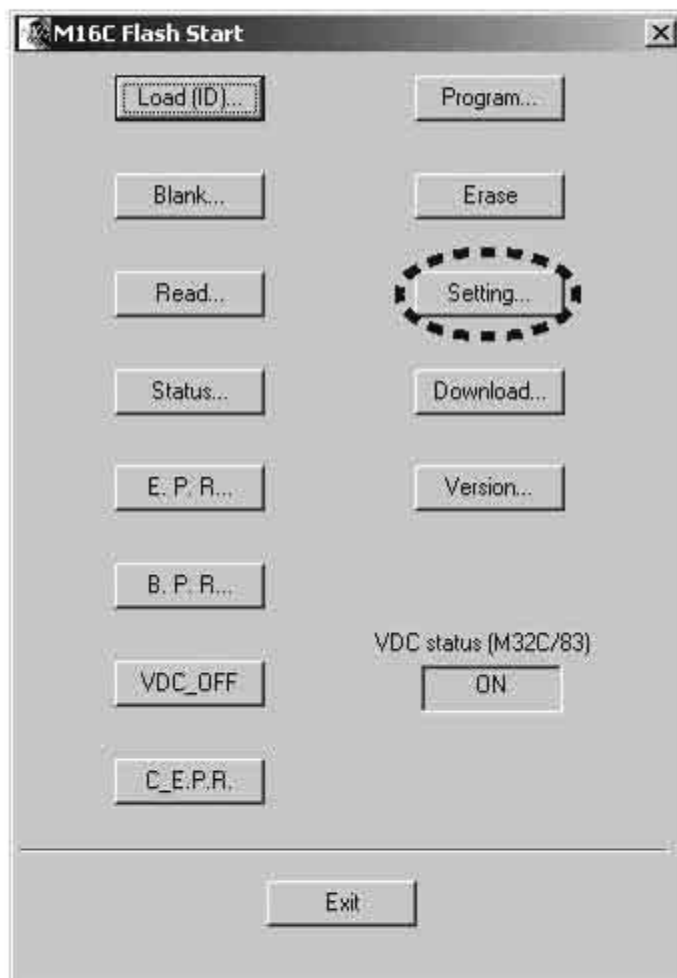
14. The FilePath and ID are inputted automatically, and the MCU Type is selected to R8C automatically. Click the **OK**.

14. FilePathとIDは自動的に記入され、MCU TypeはR8Cが選ばれます。**OK**をクリックします。



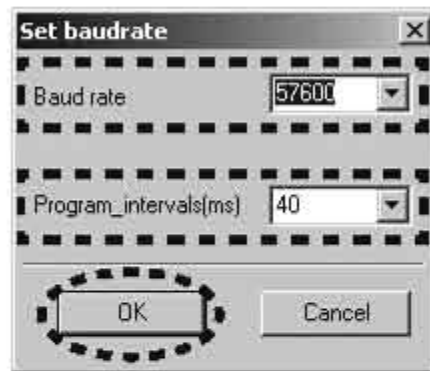
15. Click the **Setting...**

15. **Setting...**をクリックします。



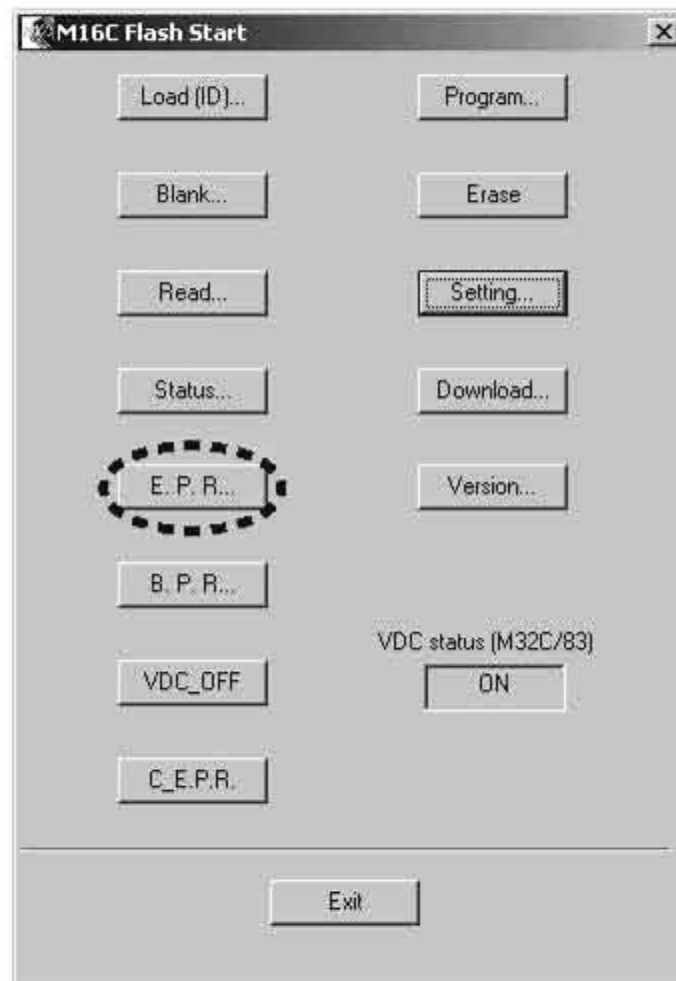
16. Choose the **57600** in the Baud rate. (DO NOT choose the other one.)
Choose the **40** in Program_intervals(ms).
Click the **OK**.

16. Baud rateから**57600**を選択します。(他の設定値は選ばないで下さい。)
Program_intervals(ms)を**40**にします
OKをクリックします。



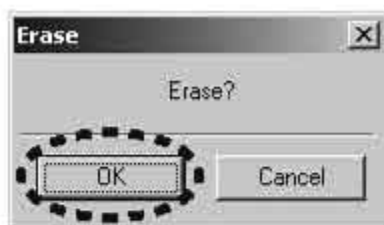
17. Click the **E.P.R...**

17. **E.P.R...**をクリックします。



18. Click the **OK**

18. **OK**をクリックします。



19. Software is written into the internal Flash-ROM of DMP Sub CPU.
The writing of software takes about 20 seconds.

19. ソフトウェアがDMP Sub CPUの内部フラッシュROMに書き込まれます。
書き込みにかかる時間(約20秒)です。



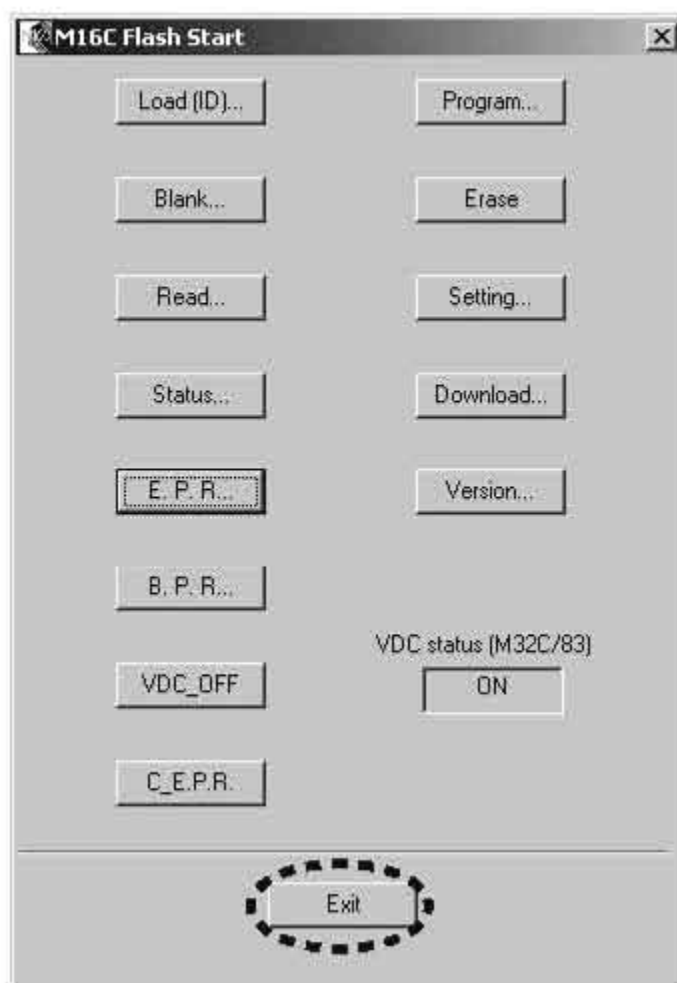
20. Click the **OK**

20. **OK**をクリックします。



21. Click the **Exit**.

21. **Exit**をクリックします。



22. Disconnect the mains cord.

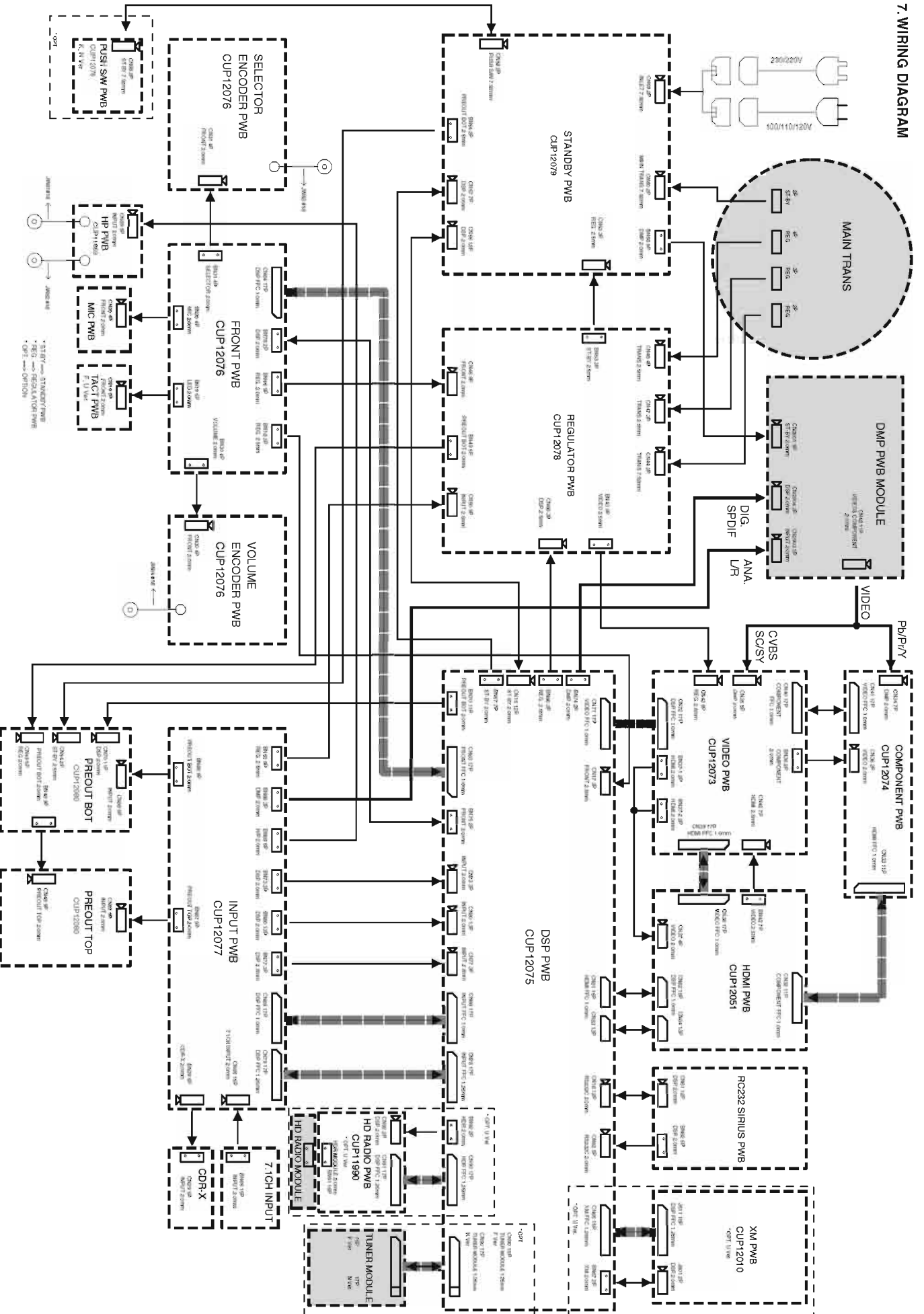
22. 本機から電源コードを外します。

23. Disconnect the RS-232C cable from the unit.

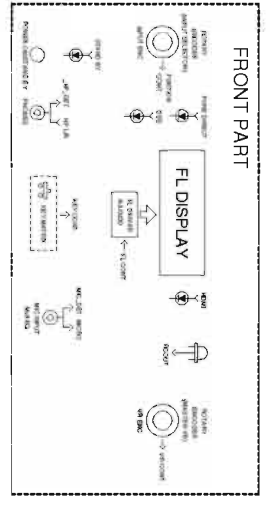
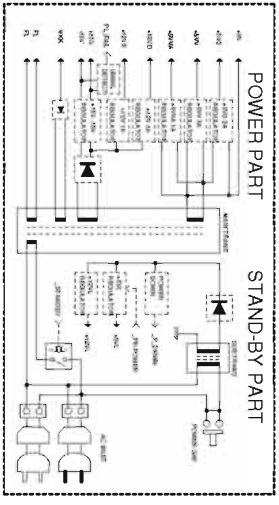
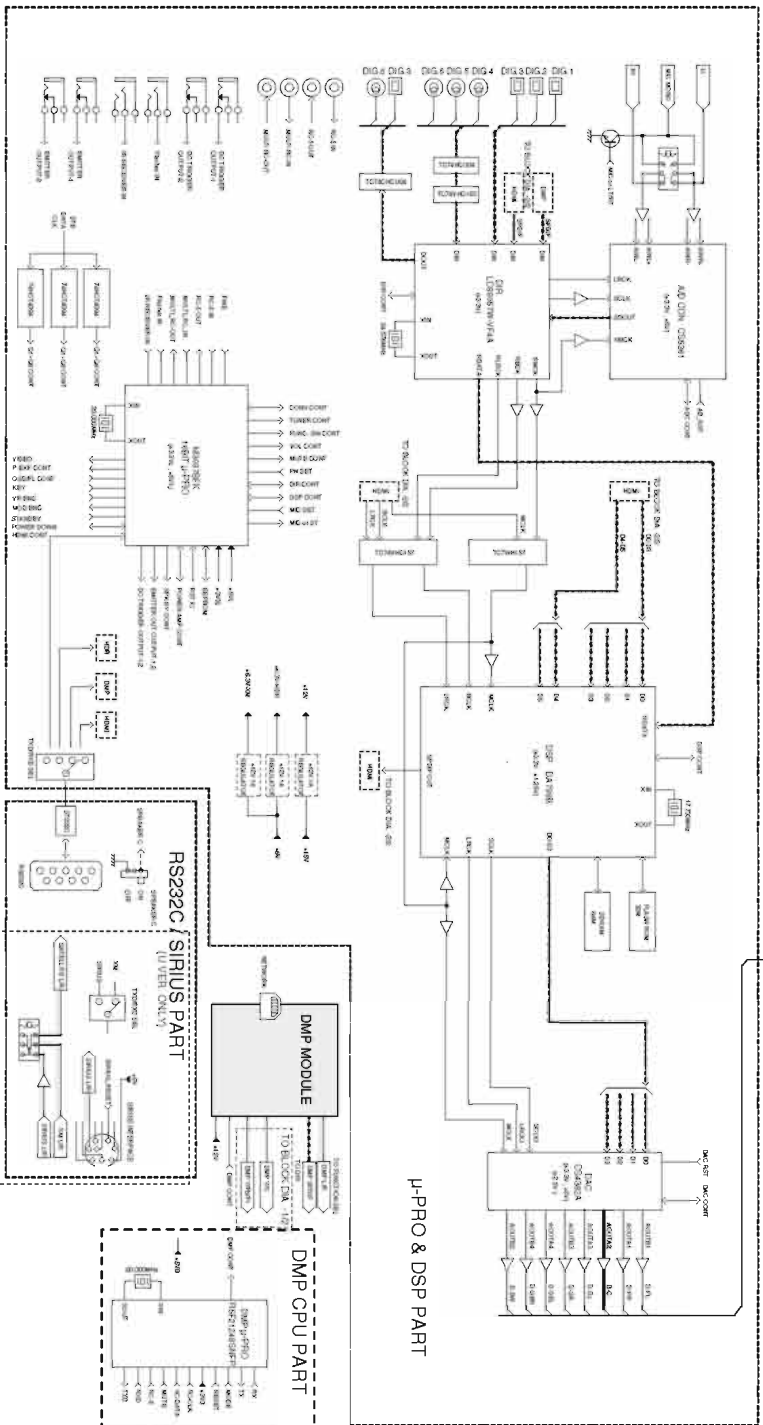
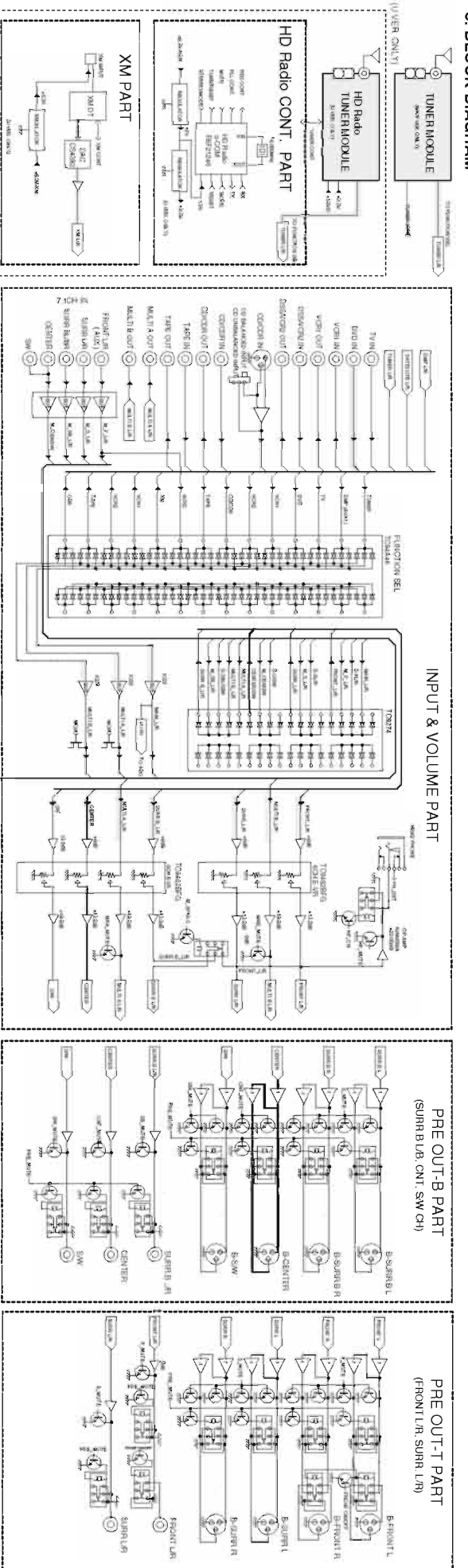
23. 本機からRS-232Cケーブルを抜きます。

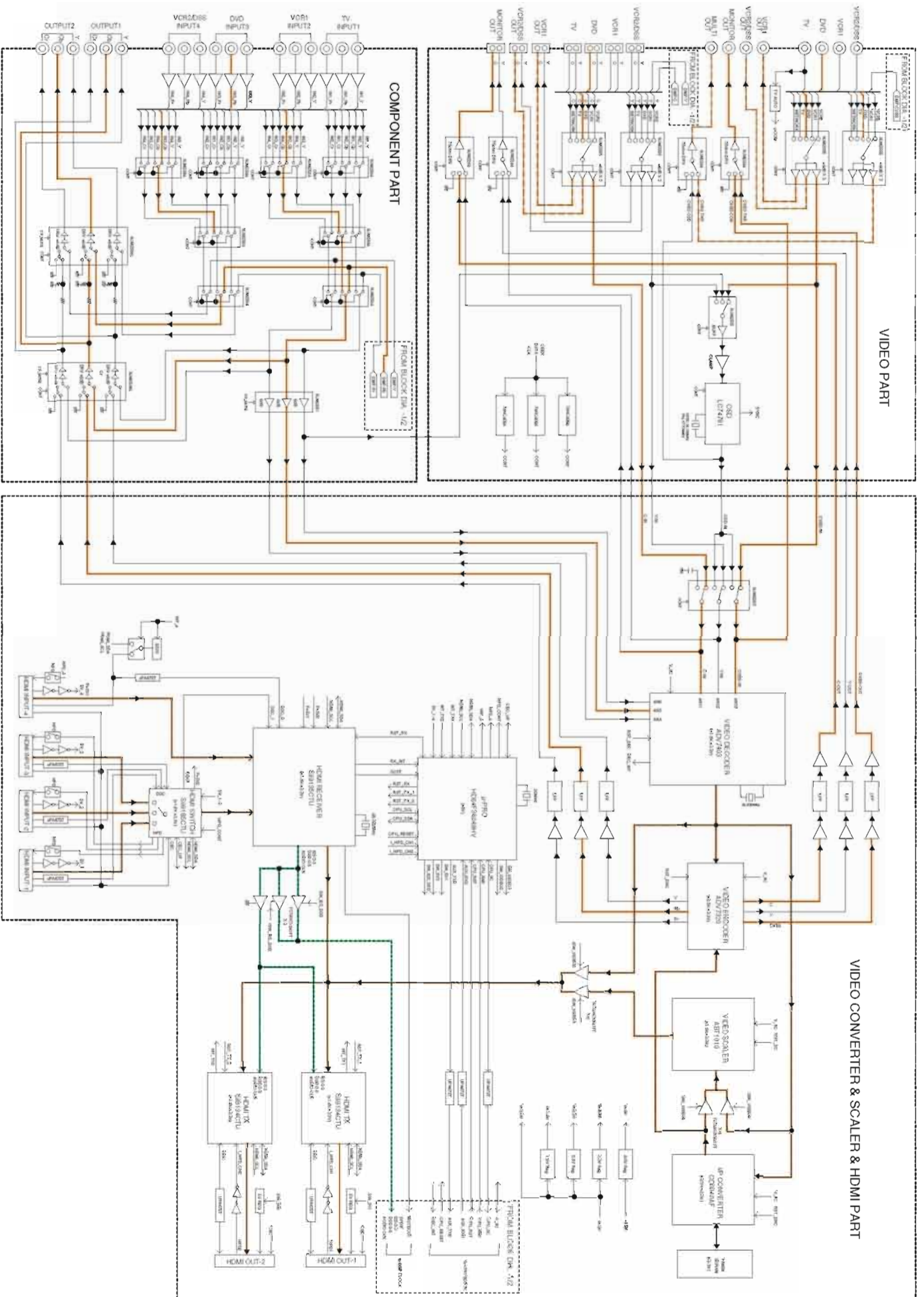
Personal notes:

7. WIRING DIAGRAM

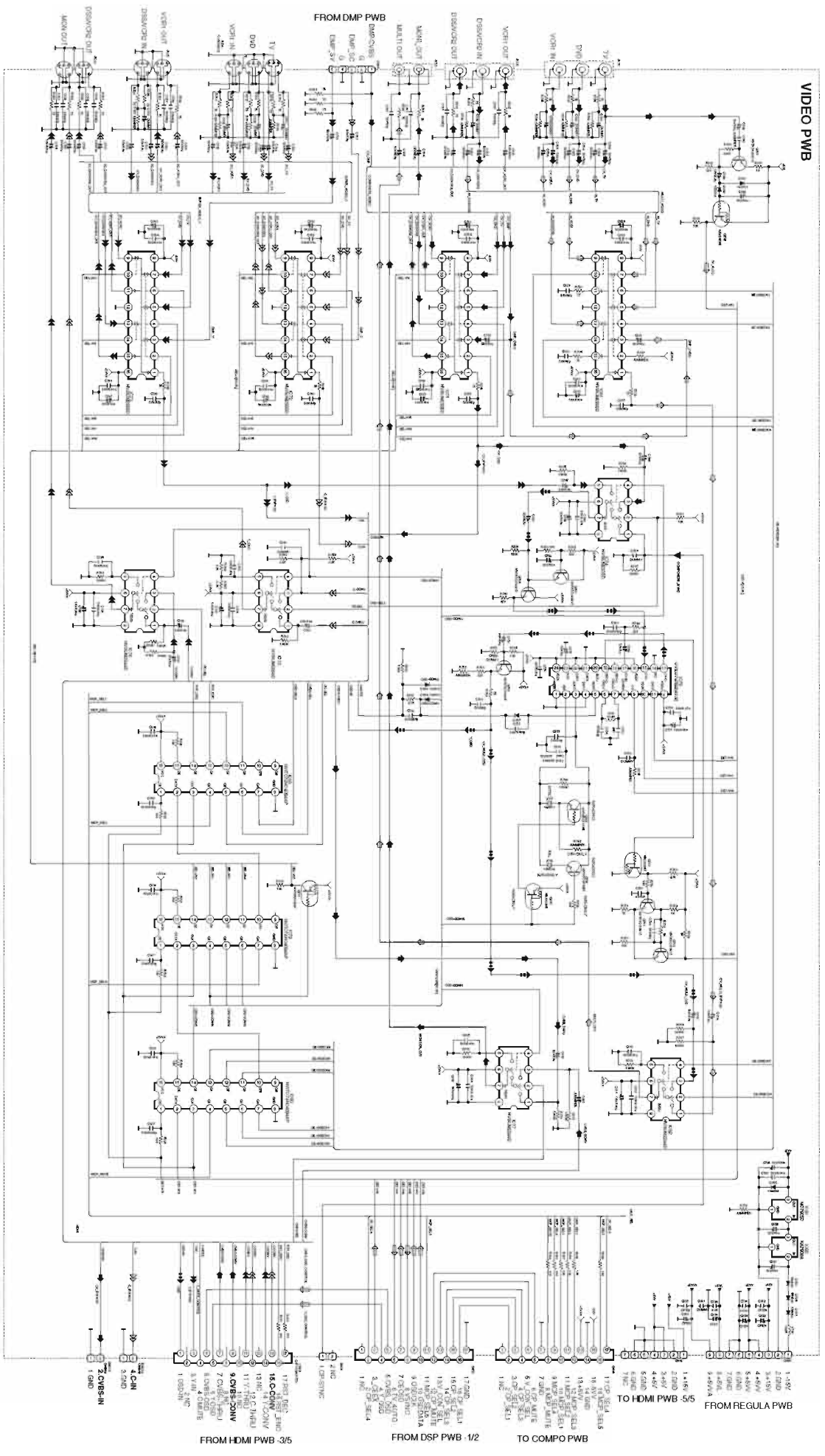


8. BLOCK DIAGRAM



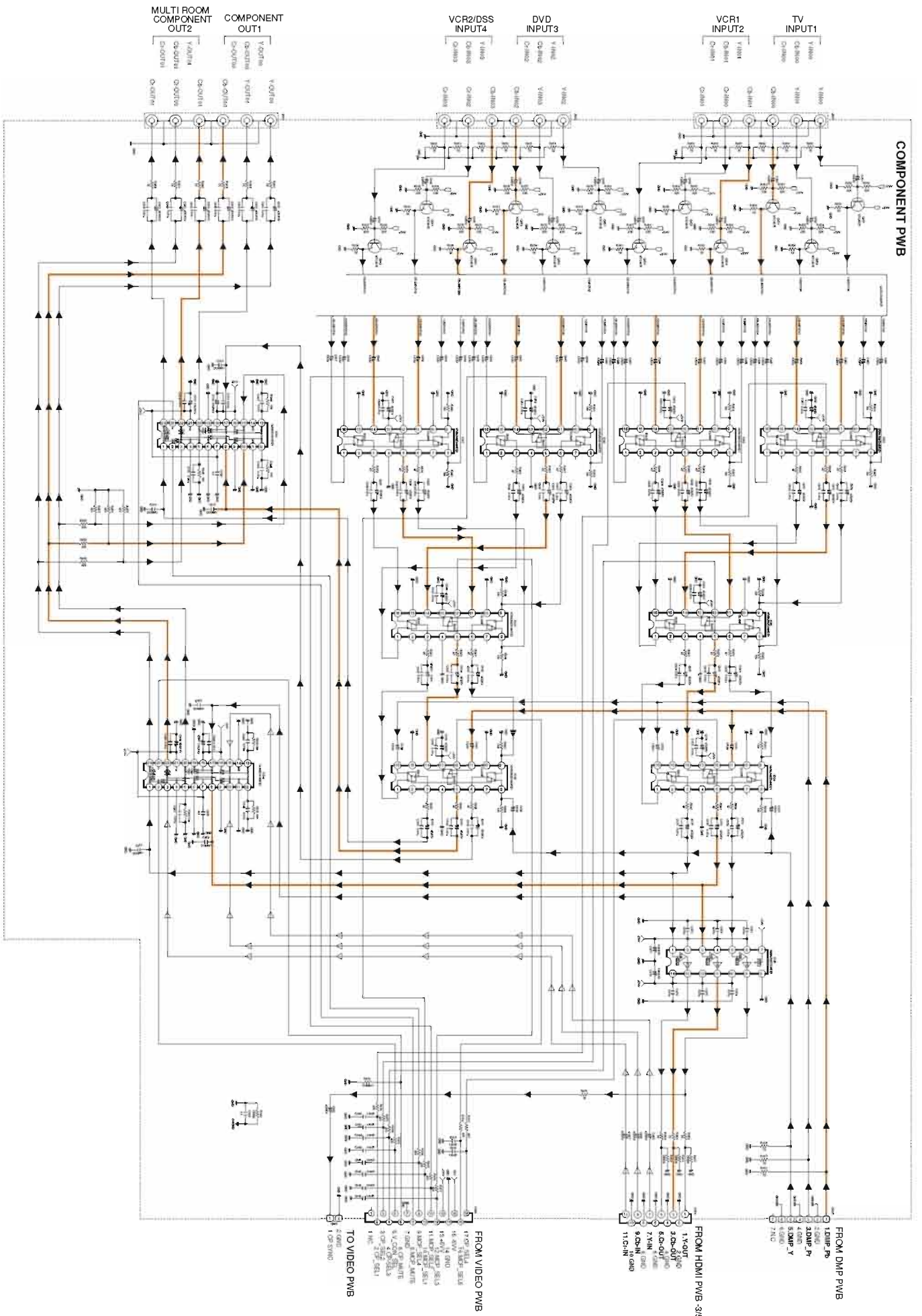


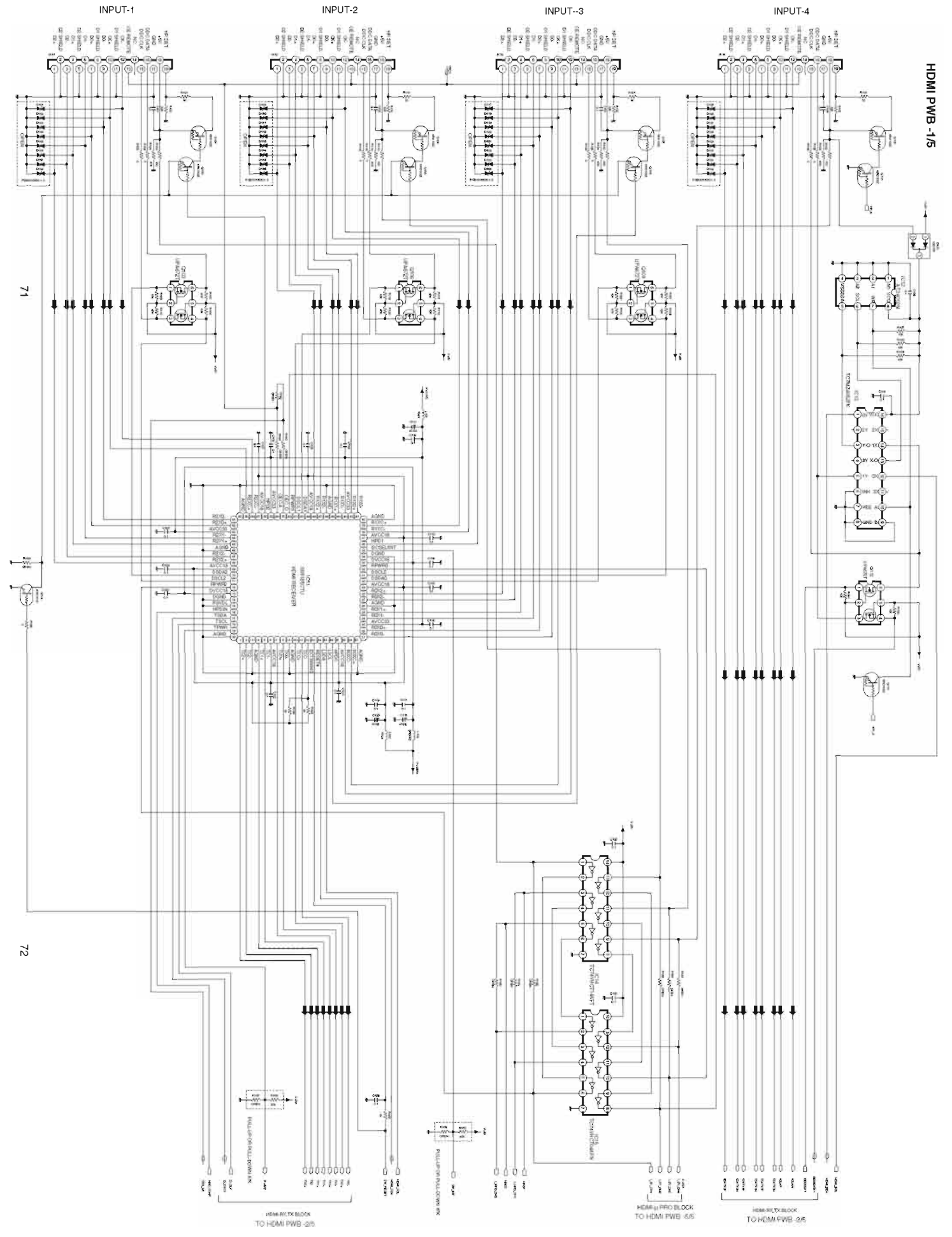
9. SCHEMATIC DIAGRAM



VERSION OPTION TABLE

	N (EU)	U (USA)	K (CHINA)	F (JAPAN)
0777	LOAD CAP	300	300	300
0778	LOAD CAP	270	300	300
0785	RGB-TIM	○	○	○
0786	RGB-TIM	○	○	○
0787	RGB-TIM	○	○	○
0788	RGB-TIM	○	○	○
0789	RGB-TIM	○	○	○
0790	RGB-TIM	○	○	○
0791	RGB-TIM	○	○	○
0792	RGB-TIM	○	○	○
0793	RGB-TIM	○	○	○
0794	RGB-TIM	○	○	○
0795	RGB-TIM	○	○	○
0796	RGB-TIM	○	○	○
0797	RGB-TIM	○	○	○
0798	RGB-TIM	○	○	○
0799	RGB-TIM	○	○	○
0800	RGB-TIM	○	○	○
0801	RGB-TIM	○	○	○
0802	RGB-TIM	○	○	○
0803	RGB-TIM	○	○	○
0804	RGB-TIM	○	○	○
0805	RGB-TIM	○	○	○
0806	RGB-TIM	○	○	○
0807	RGB-TIM	○	○	○
0808	RGB-TIM	○	○	○
0809	RGB-TIM	○	○	○
0810	RGB-TIM	○	○	○
0811	RGB-TIM	○	○	○
0812	RGB-TIM	○	○	○
0813	RGB-TIM	○	○	○
0814	RGB-TIM	○	○	○
0815	RGB-TIM	○	○	○
0816	RGB-TIM	○	○	○
0817	RGB-TIM	○	○	○
0818	RGB-TIM	○	○	○
0819	RGB-TIM	○	○	○
0820	RGB-TIM	○	○	○
0821	RGB-TIM	○	○	○
0822	RGB-TIM	○	○	○
0823	RGB-TIM	○	○	○
0824	RGB-TIM	○	○	○
0825	RGB-TIM	○	○	○
0826	RGB-TIM	○	○	○
0827	RGB-TIM	○	○	○
0828	RGB-TIM	○	○	○
0829	RGB-TIM	○	○	○
0830	RGB-TIM	○	○	○
0831	RGB-TIM	○	○	○
0832	RGB-TIM	○	○	○
0833	RGB-TIM	○	○	○
0834	RGB-TIM	○	○	○
0835	RGB-TIM	○	○	○
0836	RGB-TIM	○	○	○
0837	RGB-TIM	○	○	○
0838	RGB-TIM	○	○	○
0839	RGB-TIM	○	○	○
0840	RGB-TIM	○	○	○
0841	RGB-TIM	○	○	○
0842	RGB-TIM	○	○	○
0843	RGB-TIM	○	○	○
0844	RGB-TIM	○	○	○
0845	RGB-TIM	○	○	○
0846	RGB-TIM	○	○	○
0847	RGB-TIM	○	○	○
0848	RGB-TIM	○	○	○
0849	RGB-TIM	○	○	○
0850	RGB-TIM	○	○	○
0851	RGB-TIM	○	○	○
0852	RGB-TIM	○	○	○
0853	RGB-TIM	○	○	○
0854	RGB-TIM	○	○	○
0855	RGB-TIM	○	○	○
0856	RGB-TIM	○	○	○
0857	RGB-TIM	○	○	○
0858	RGB-TIM	○	○	○
0859	RGB-TIM	○	○	○
0860	RGB-TIM	○	○	○
0861	RGB-TIM	○	○	○
0862	RGB-TIM	○	○	○
0863	RGB-TIM	○	○	○
0864	RGB-TIM	○	○	○
0865	RGB-TIM	○	○	○
0866	RGB-TIM	○	○	○
0867	RGB-TIM	○	○	○
0868	RGB-TIM	○	○	○
0869	RGB-TIM	○	○	○
0870	RGB-TIM	○	○	○
0871	RGB-TIM	○	○	○
0872	RGB-TIM	○	○	○
0873	RGB-TIM	○	○	○
0874	RGB-TIM	○	○	○
0875	RGB-TIM	○	○	○
0876	RGB-TIM	○	○	○
0877	RGB-TIM	○	○	○
0878	RGB-TIM	○	○	○
0879	RGB-TIM	○	○	○
0880	RGB-TIM	○	○	○
0881	RGB-TIM	○	○	○
0882	RGB-TIM	○	○	○
0883	RGB-TIM	○	○	○
0884	RGB-TIM	○	○	○
0885	RGB-TIM	○	○	○
0886	RGB-TIM	○	○	○
0887	RGB-TIM	○	○	○
0888	RGB-TIM	○	○	○
0889	RGB-TIM	○	○	○
0890	RGB-TIM	○	○	○
0891	RGB-TIM	○	○	○
0892	RGB-TIM	○	○	○
0893	RGB-TIM	○	○	○
0894	RGB-TIM	○	○	○
0895	RGB-TIM	○	○	○
0896	RGB-TIM	○	○	○
0897	RGB-TIM	○	○	○
0898	RGB-TIM	○	○	○
0899	RGB-TIM	○	○	○
0900	RGB-TIM	○	○	○

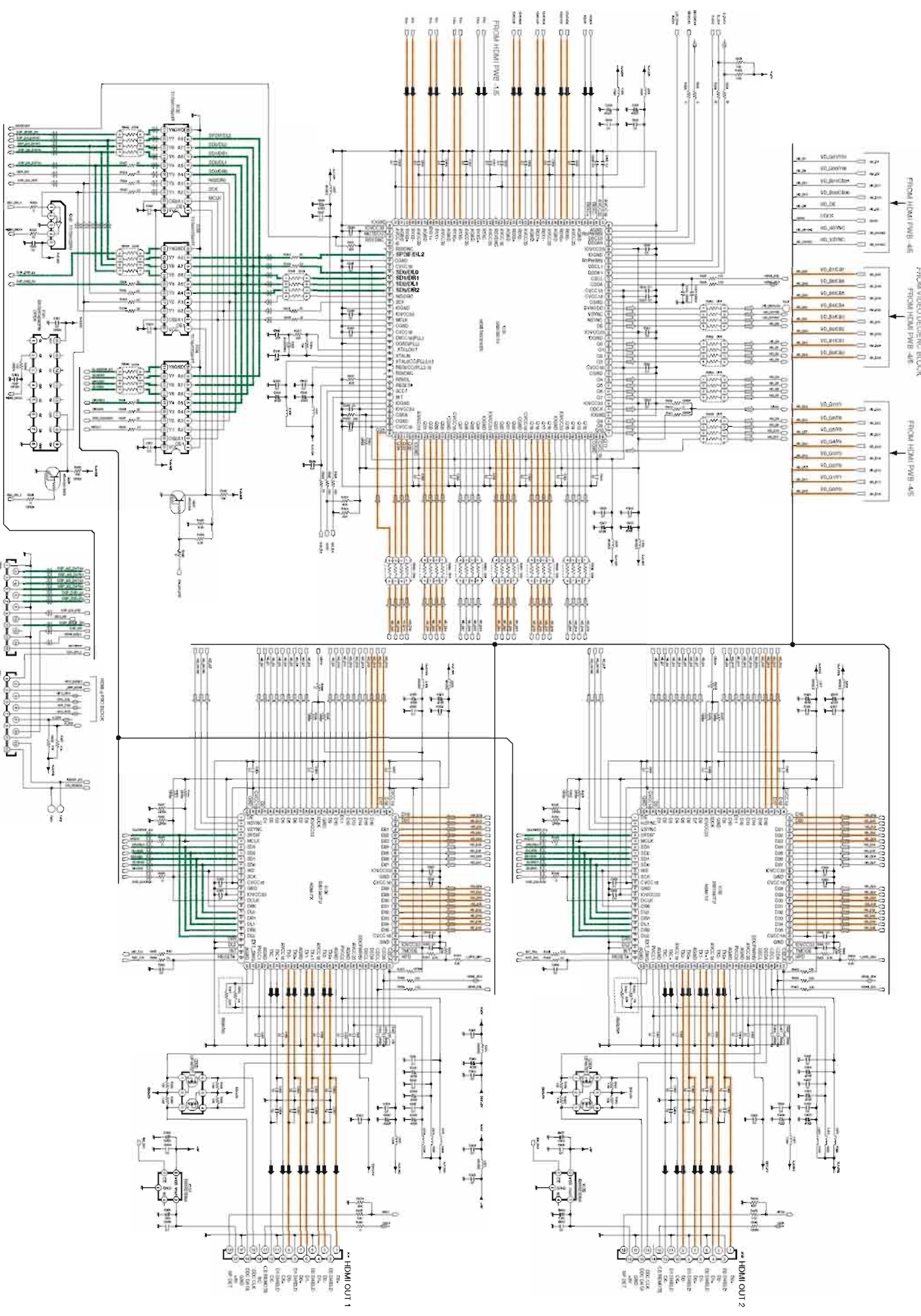


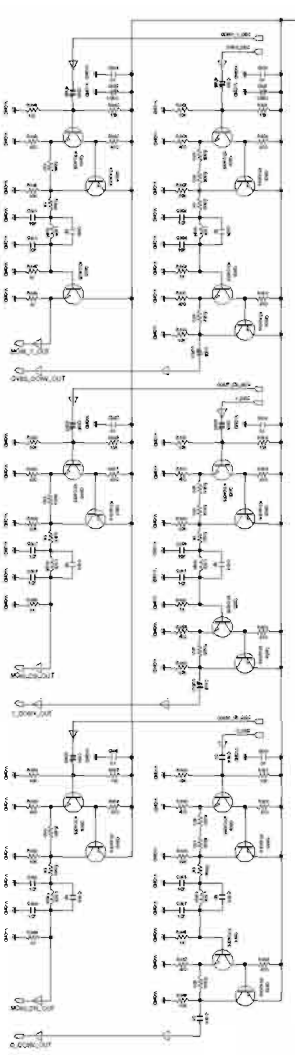
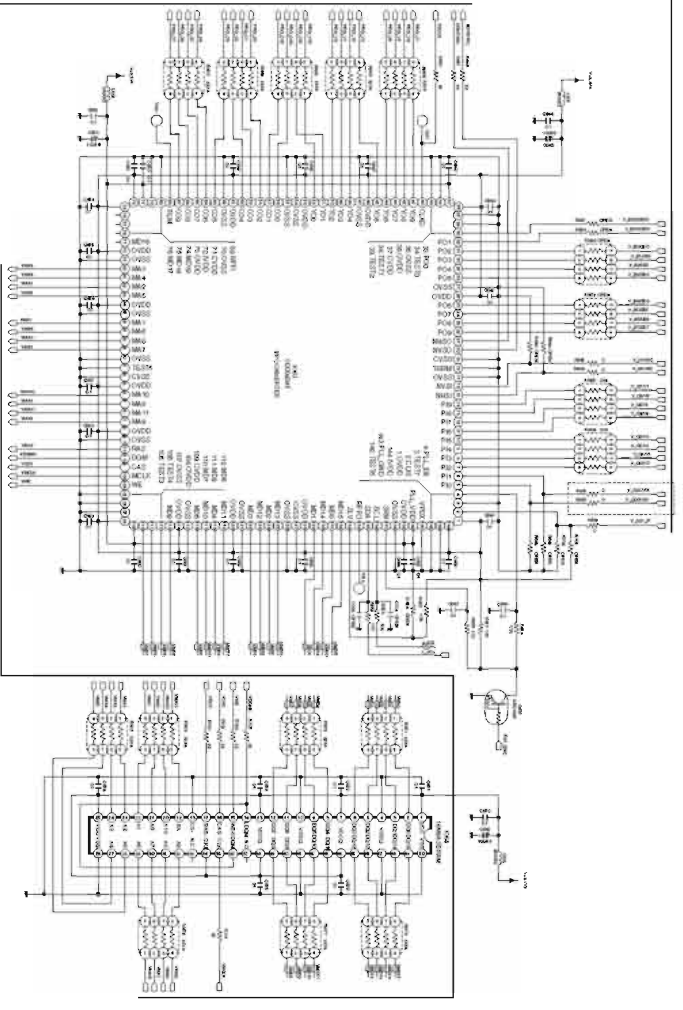
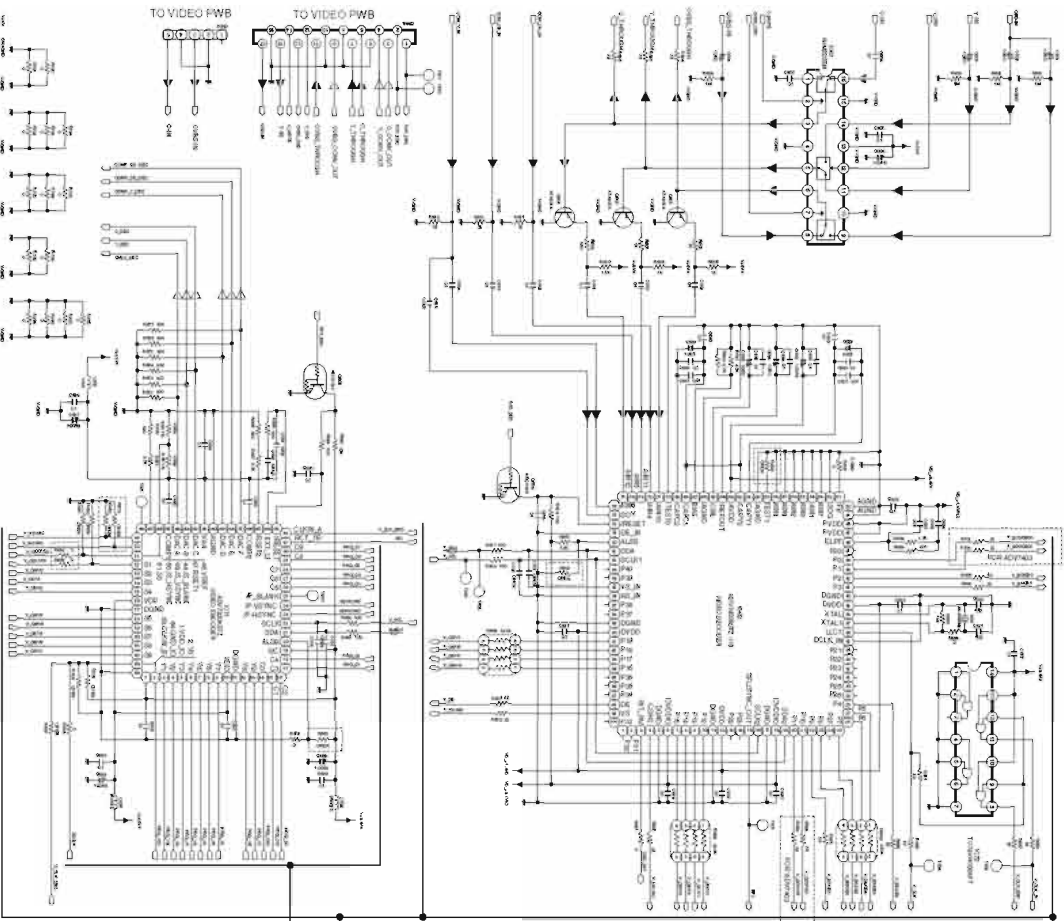


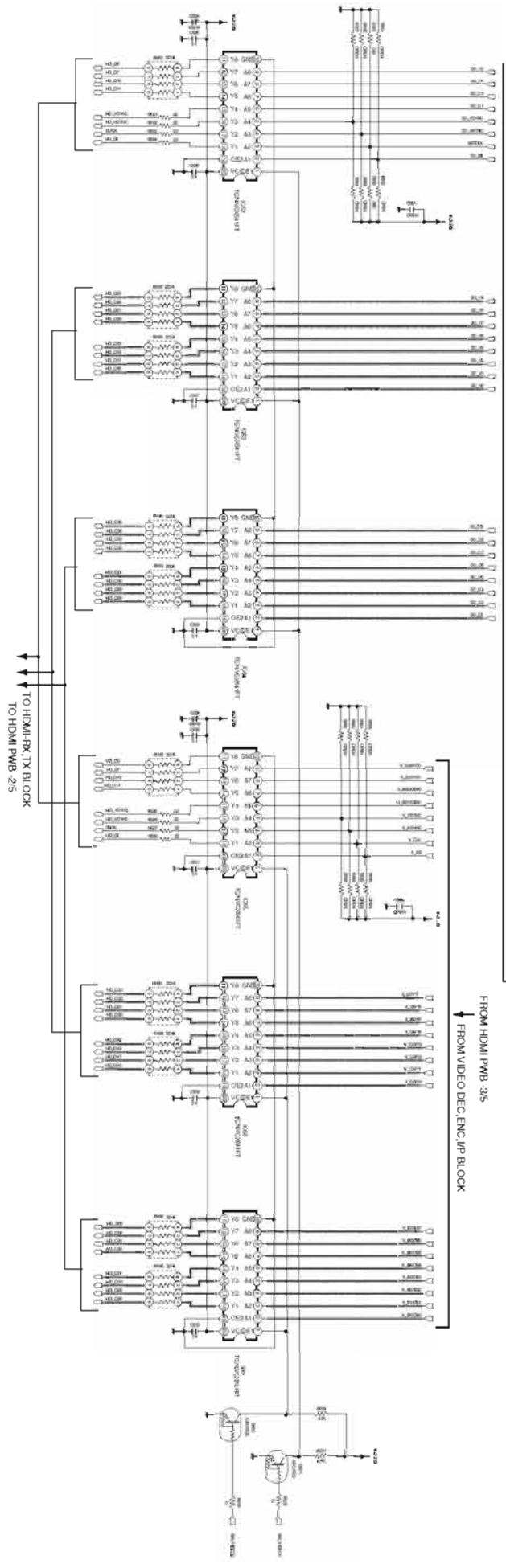
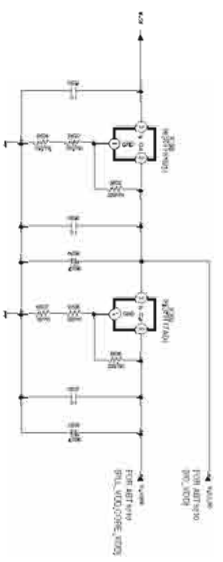
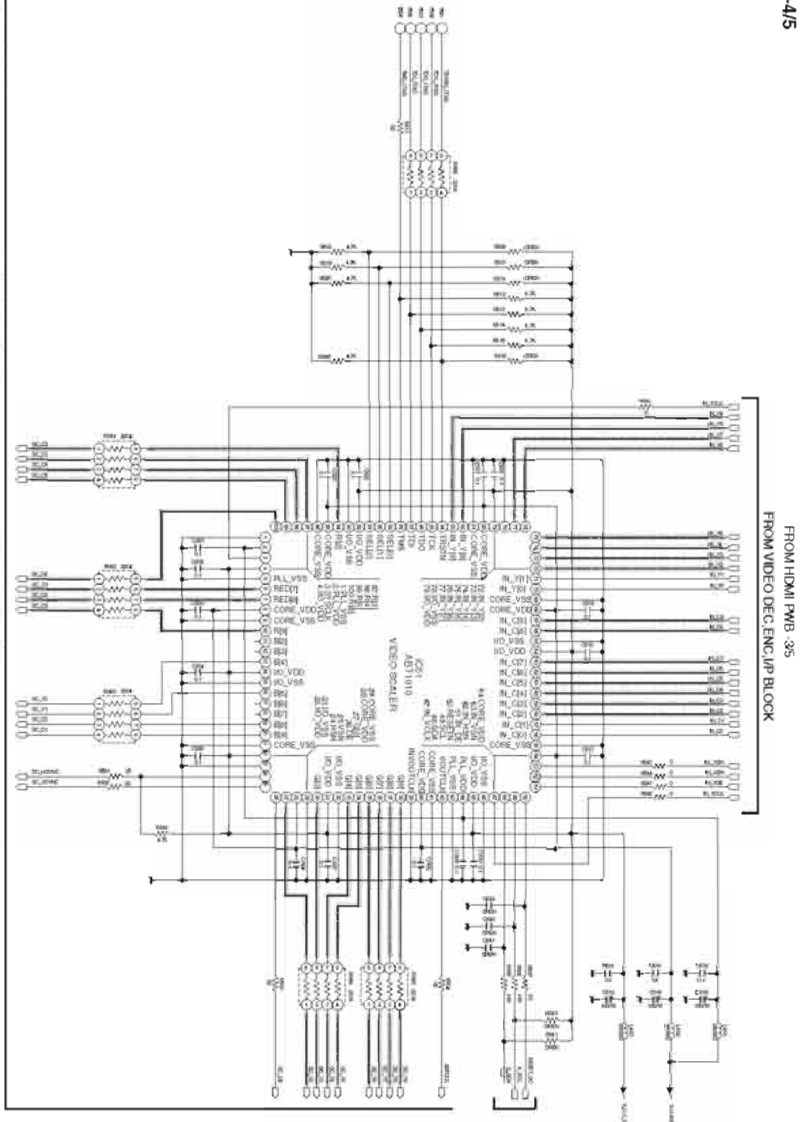
71

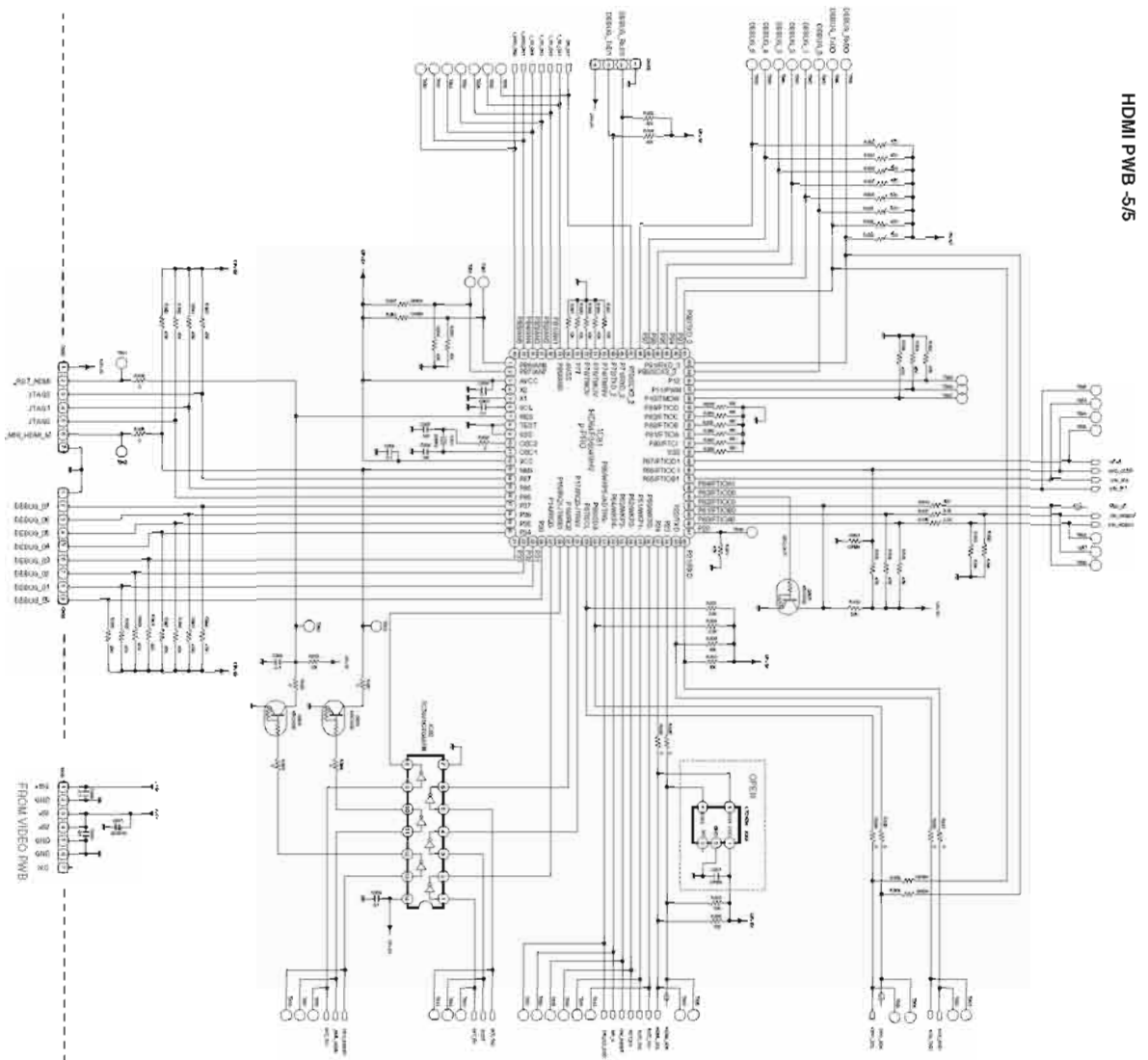
72

HDMI PWB -2/5

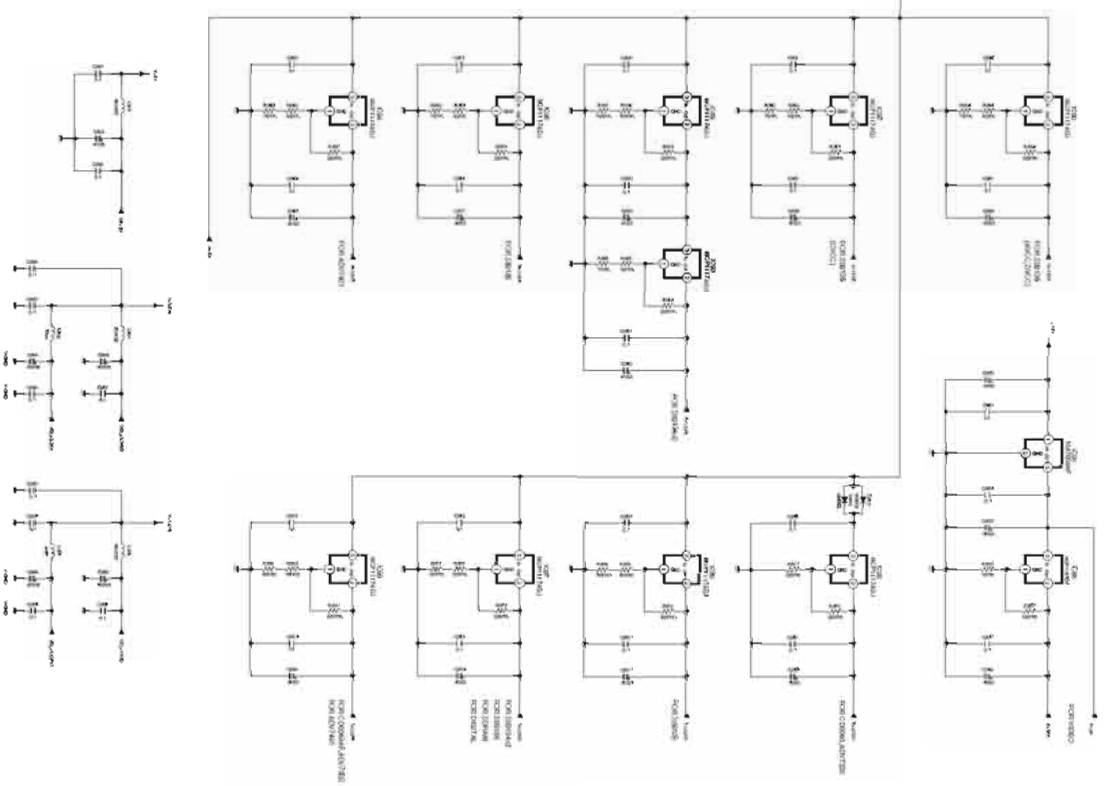




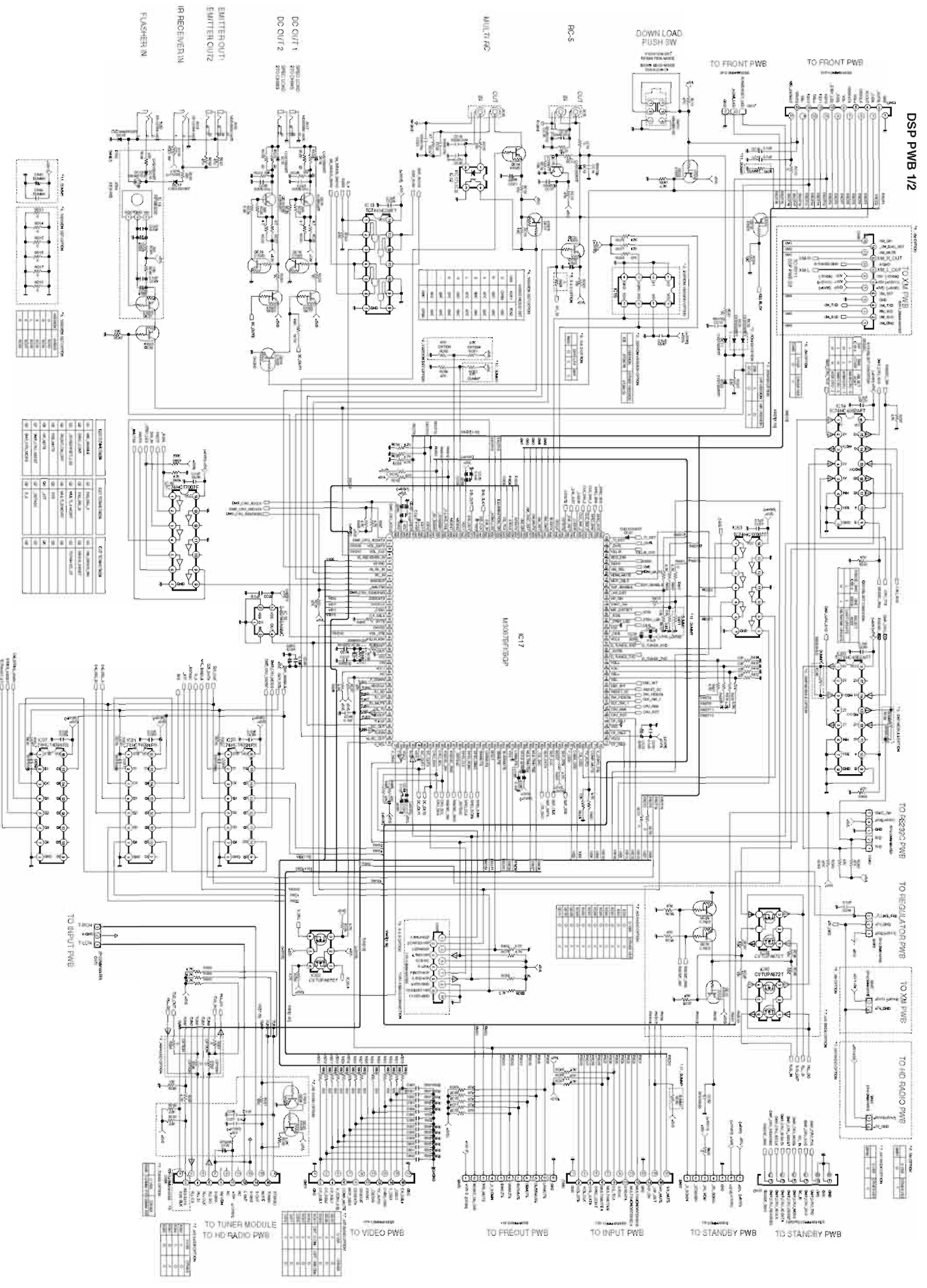


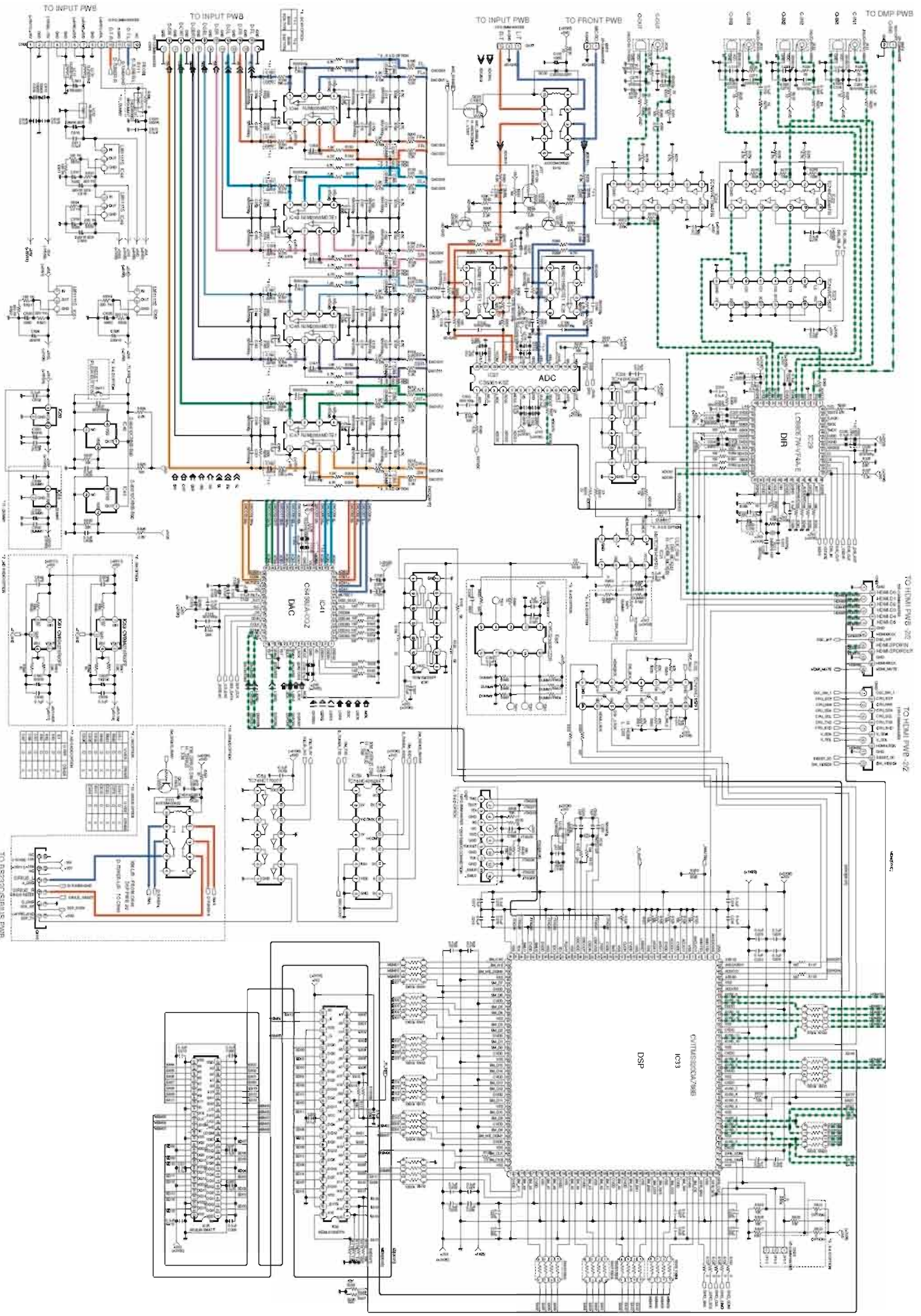


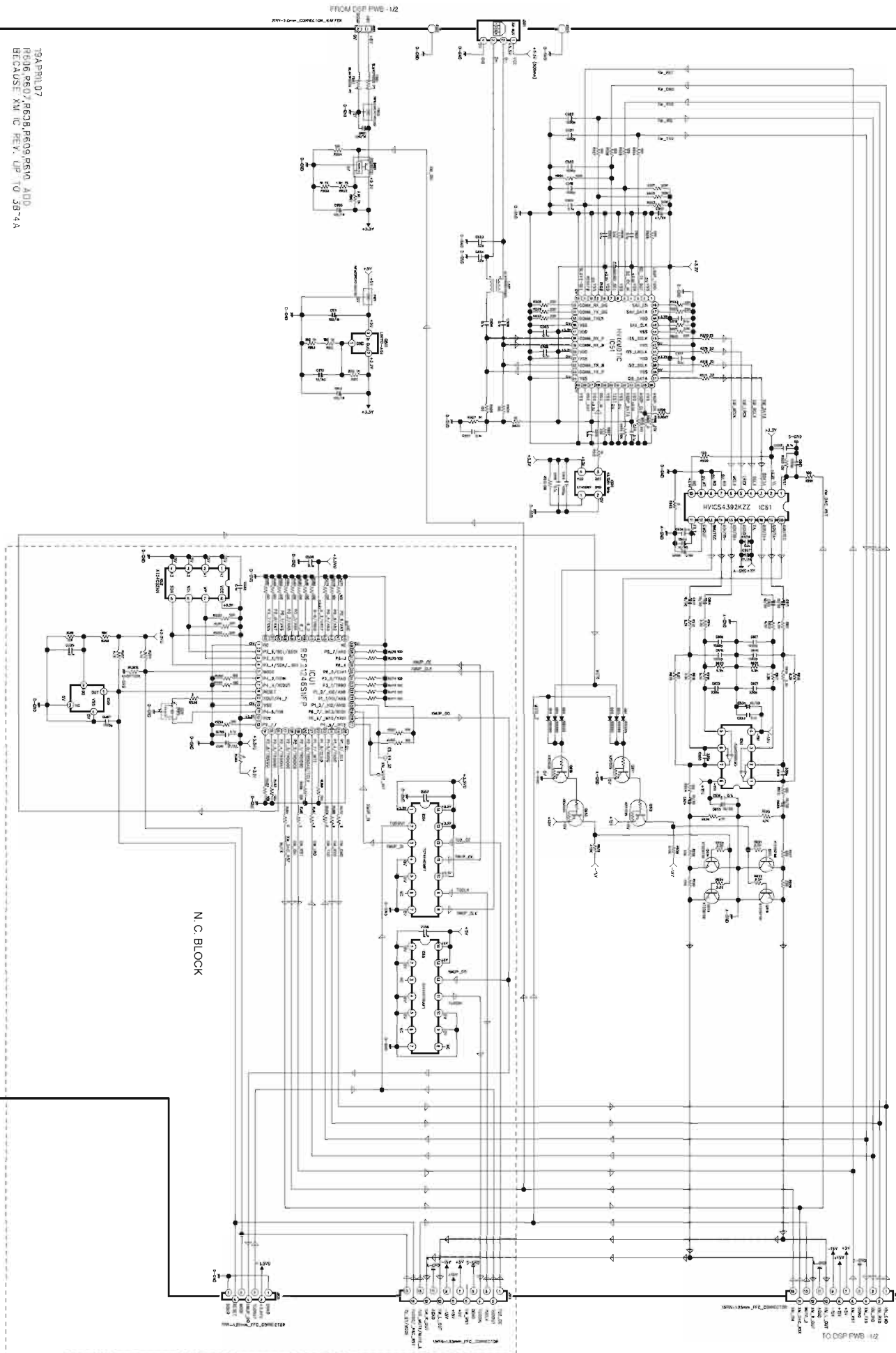
FROM VIDEO PWB



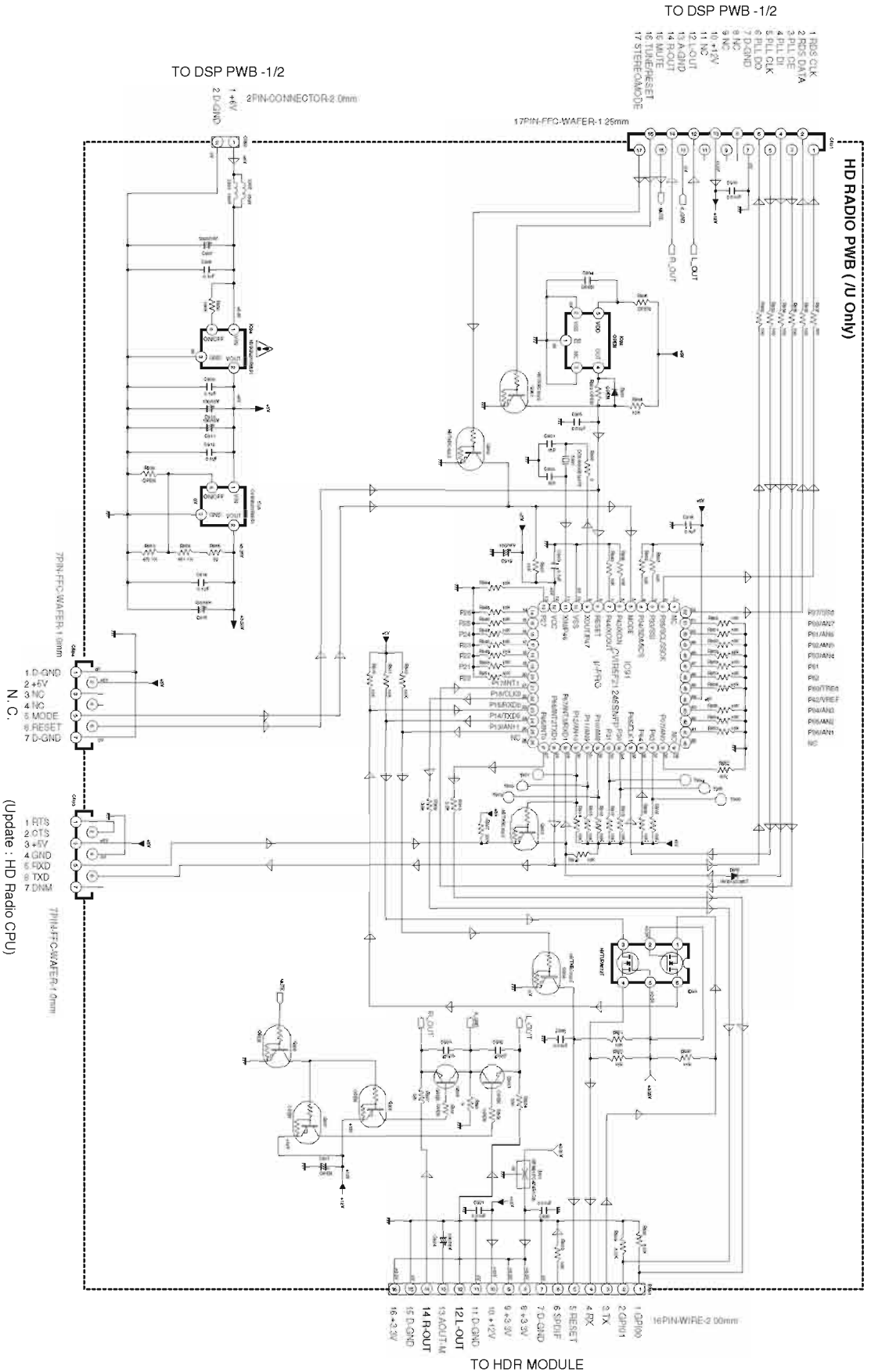
DSP PWB 1/2

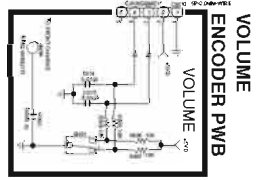
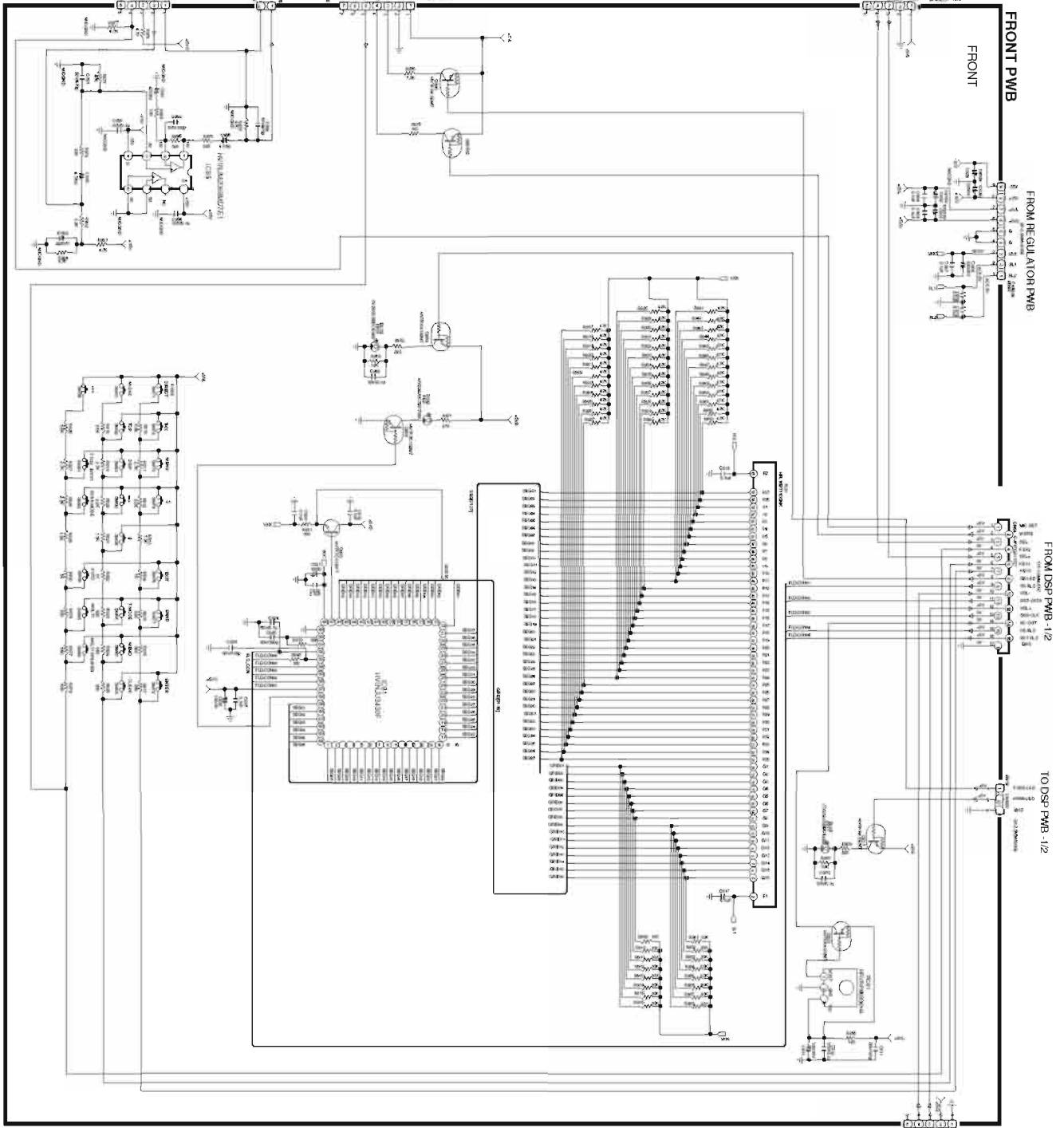
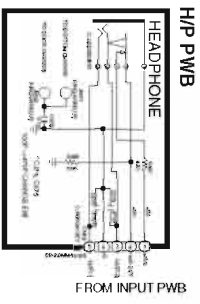
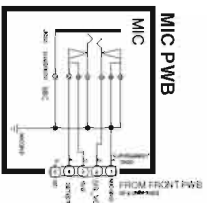
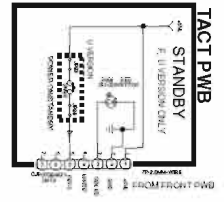
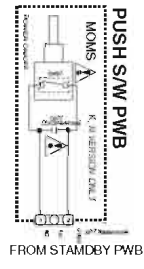
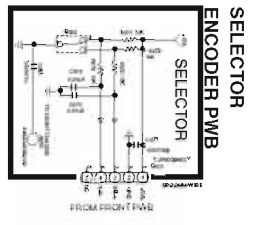


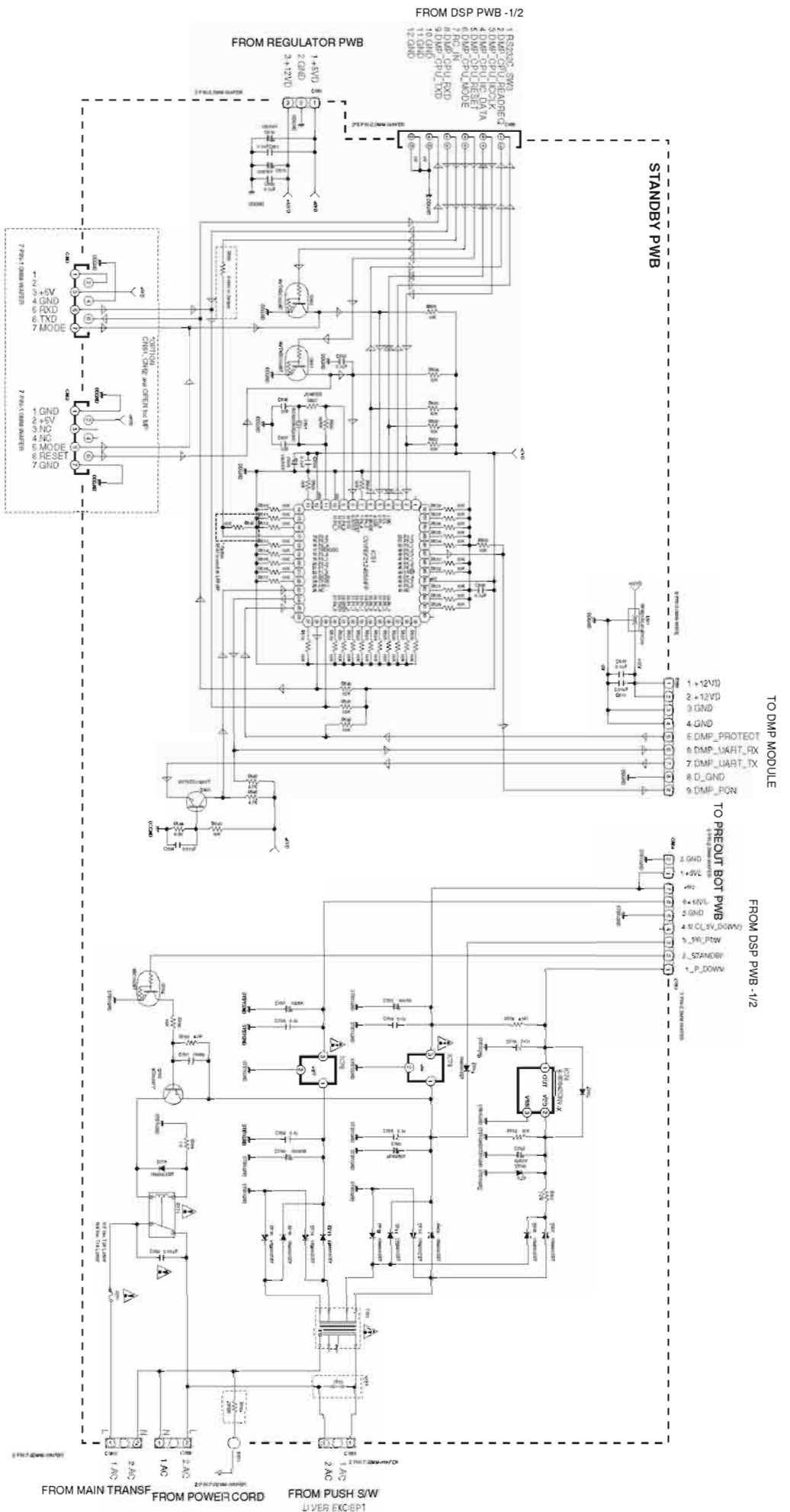




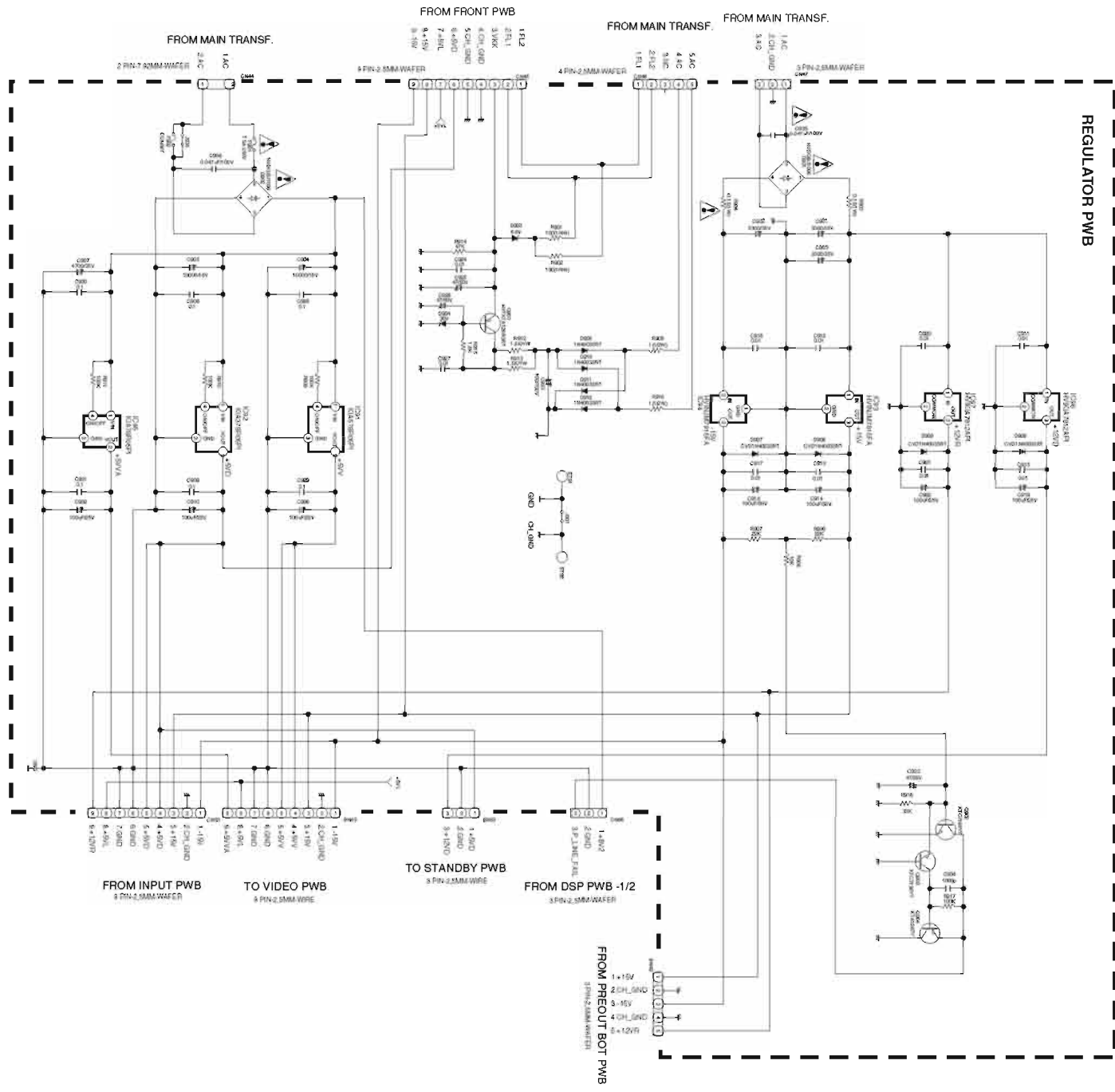
13APR11.07
 R606,PE07,R638,PE09,PS10, ADD.
 BECAUSE XM IC REV. UP TO 38-7A





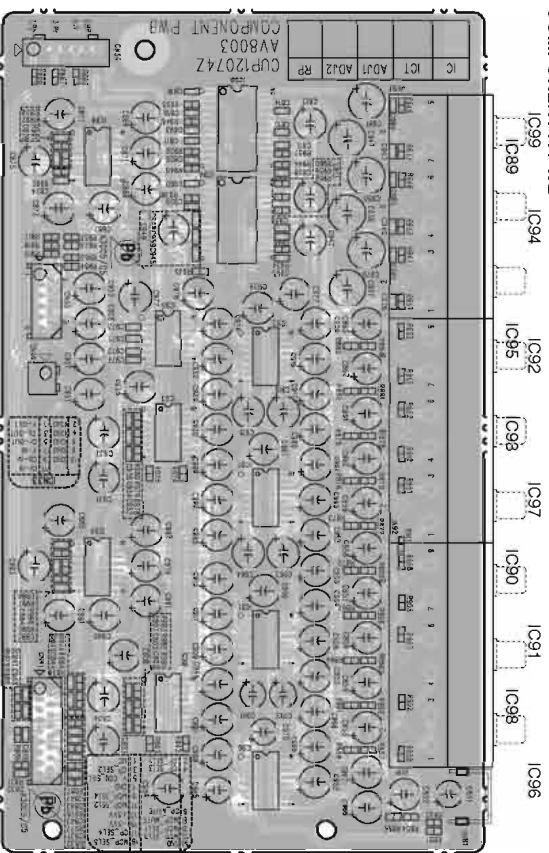


REGULATOR PWB

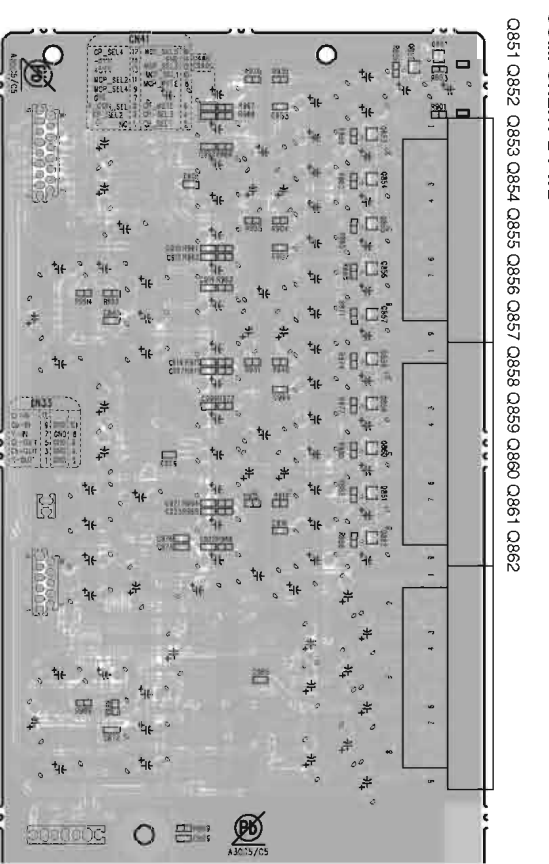


10. PARTS LOCATION

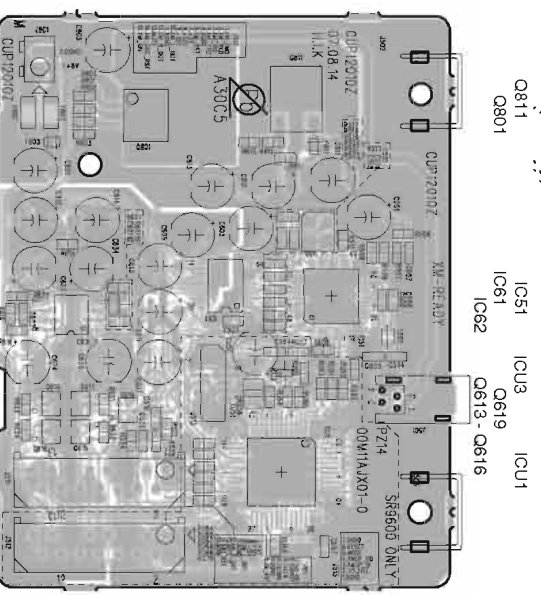
COMPONENT A PWB



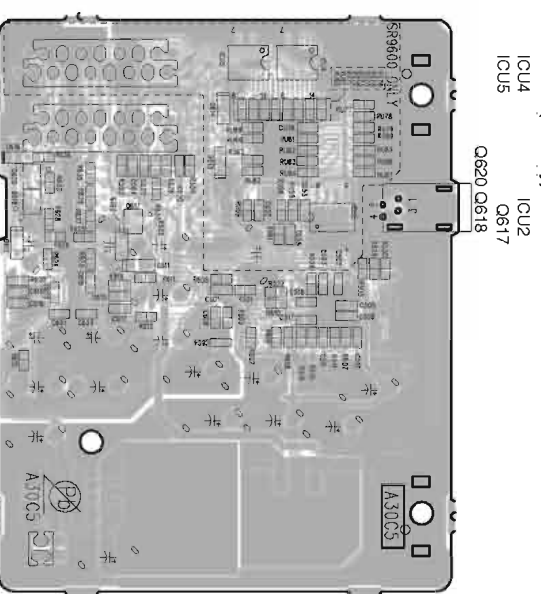
COMPONENT B PWB



XM A PWB (U only)

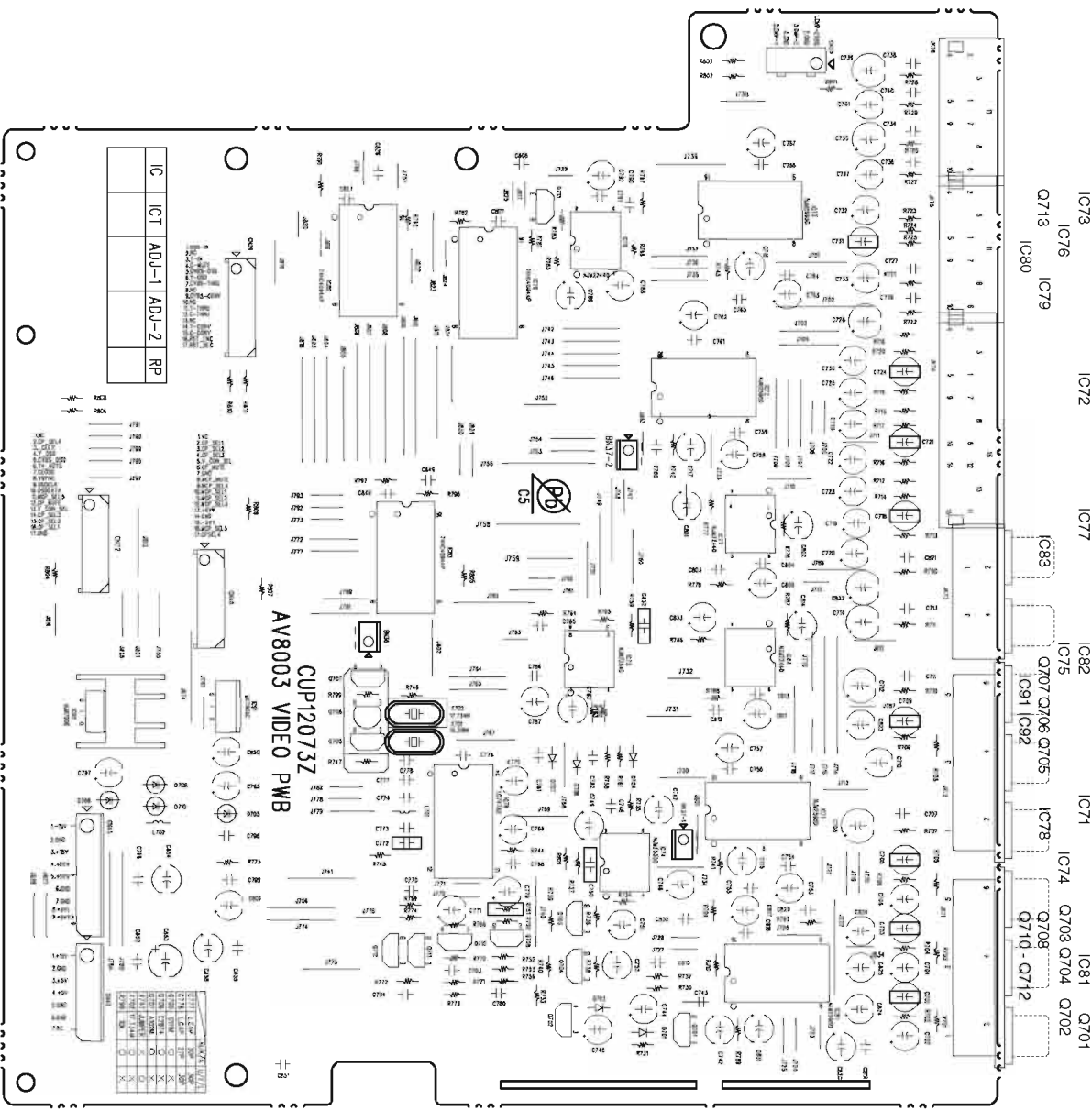


XM B PWB (U only)



鉛フリー半田
半田付けには、鉛フリー半田 (Sn-Ag-Cu) を使用してください。
Lead-free Solder
When soldering, use the Lead-free Solder (Sn-Ag-Cu).

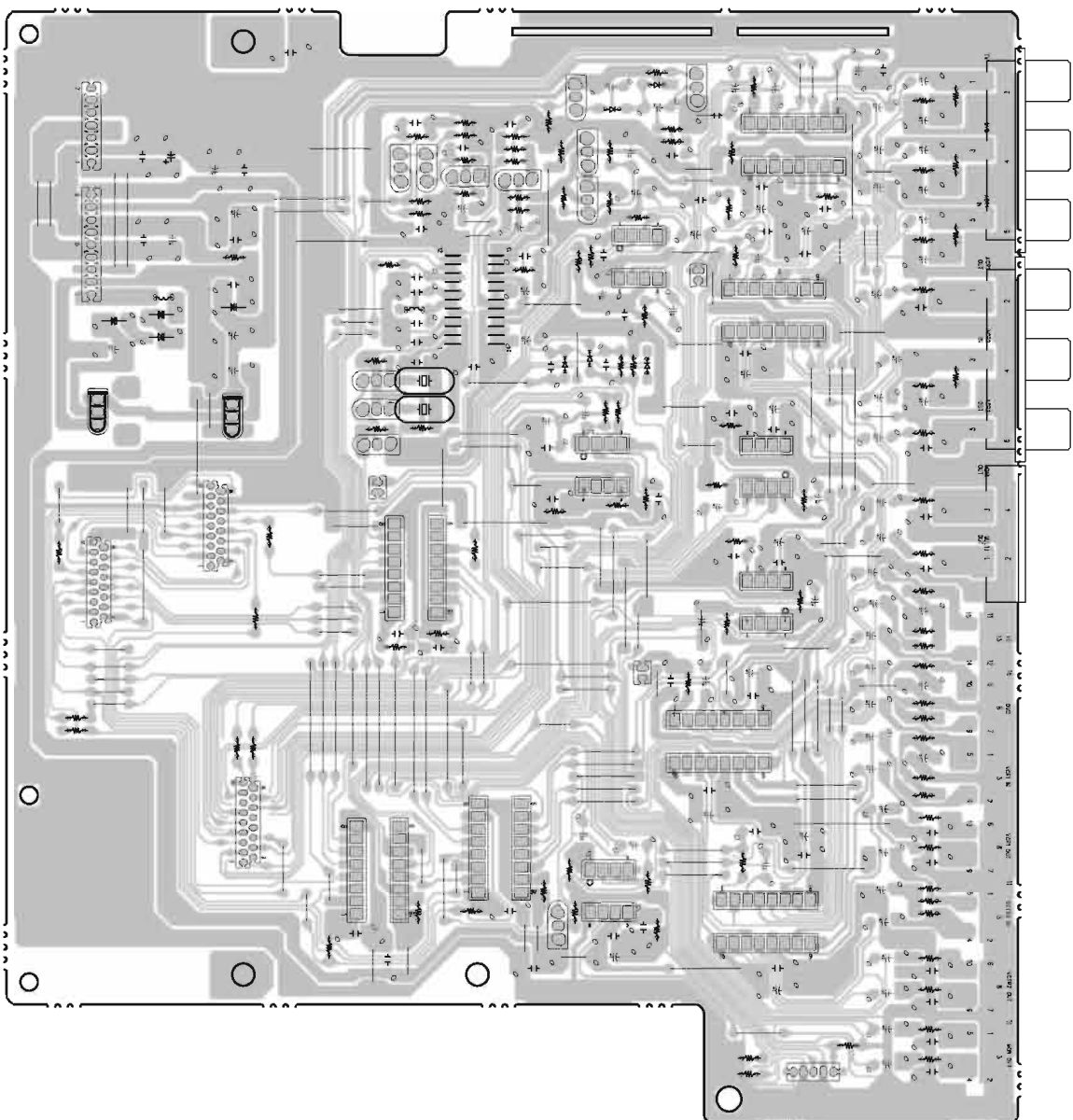
VIDEO A PWB



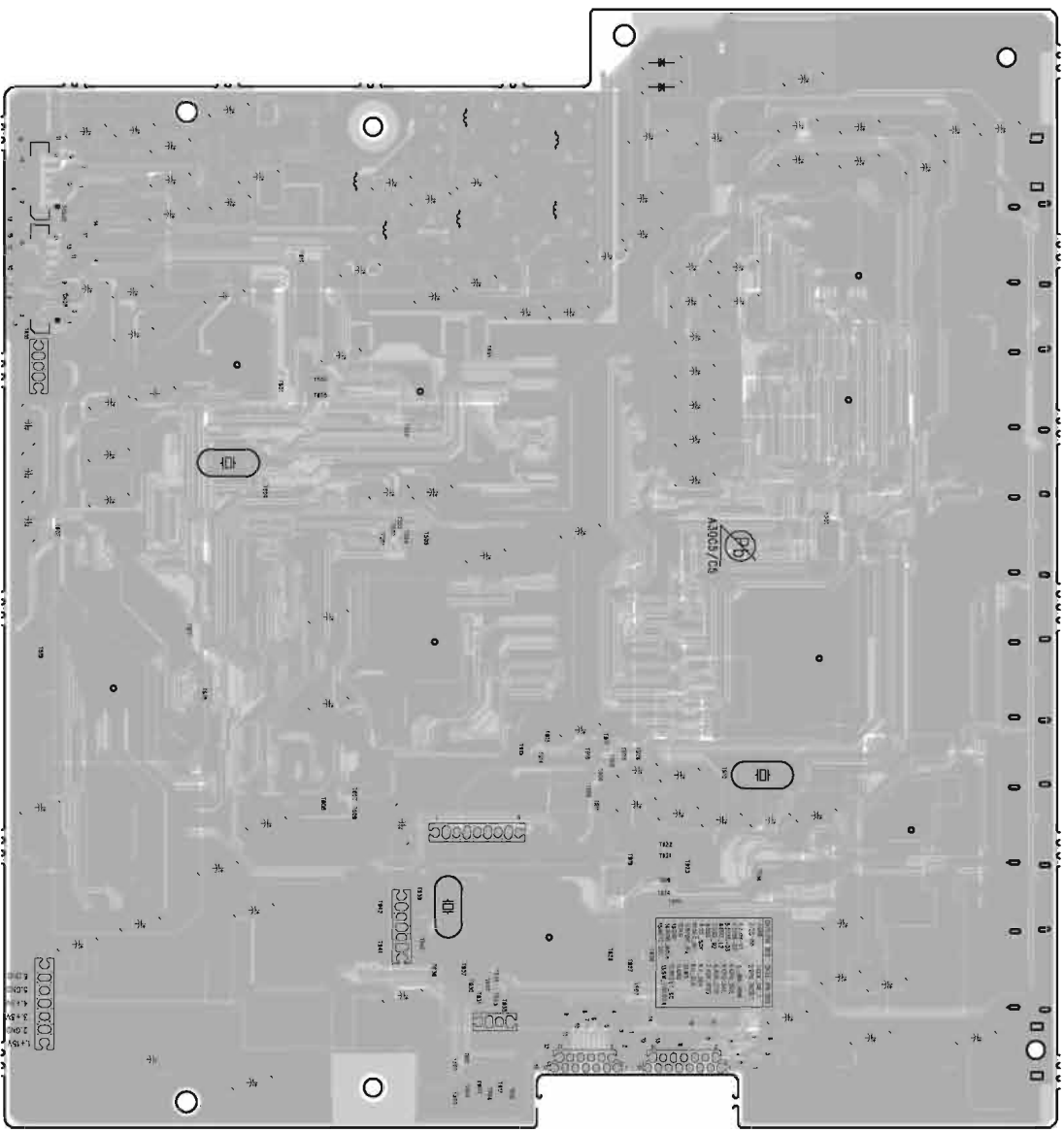
IC	CT	ADJ-1	ADJ-2	RP

IC	CT	ADJ-1	ADJ-2	RP

鉛フリー半田
半田付けには、鉛フリー半田 (Sn-Ag-Cu) を使用してください。
Lead-free Solder
When soldering, use the Lead-free Solder (Sn-Ag-Cu).



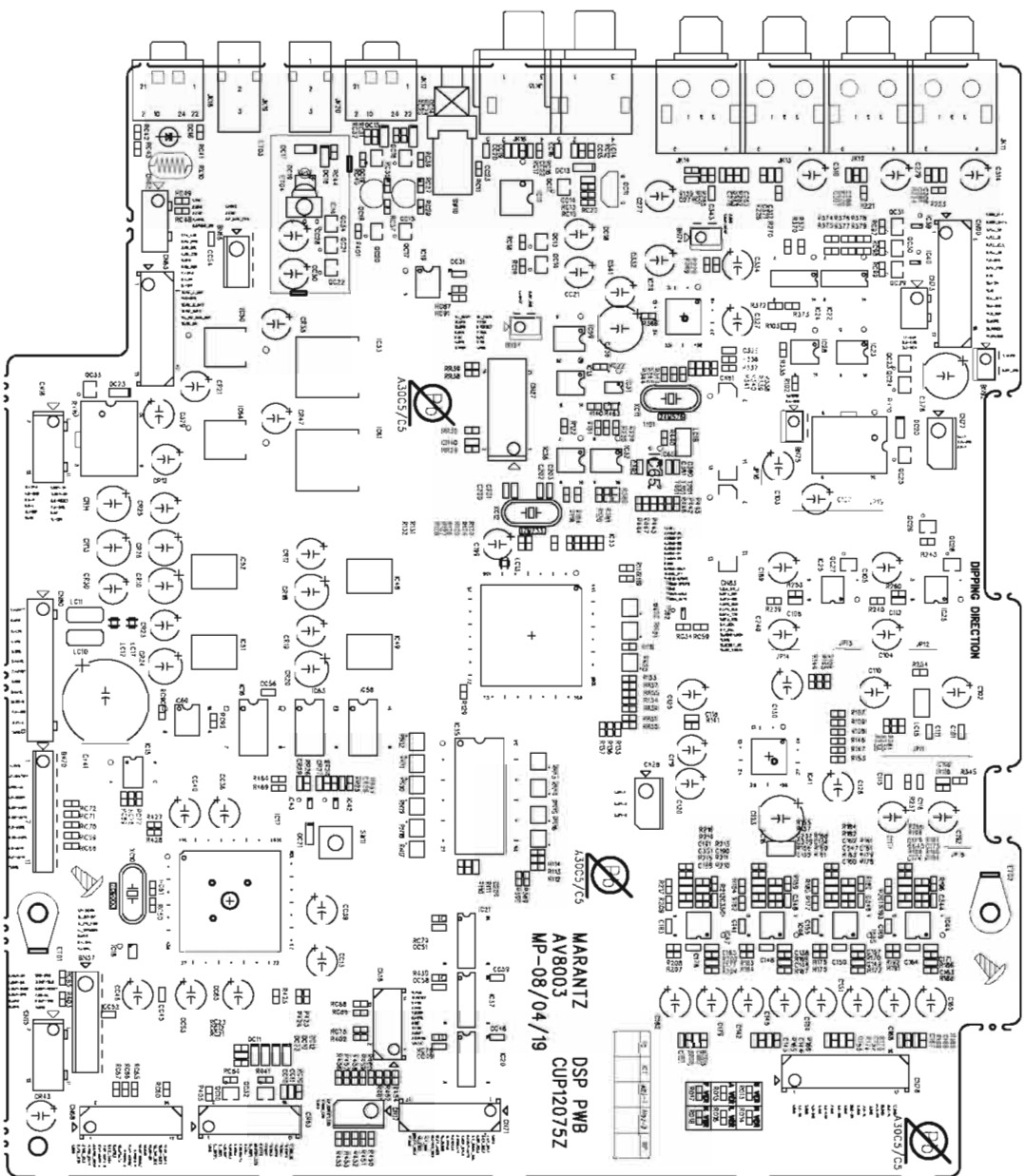
鉛フリー半田
半田付けには、鉛フリー半田 (Sn-Ag-Cu) を使用してください。
Lead-free Solder
When soldering, use the Lead-free Solder (Sn-Ag-Cu).



鉛フリー半田
半田付けには、鉛フリー半田 (Sn-Ag-Cu) を使用してください。
Lead-free Solder
When soldering, use the Lead-free Solder (Sn-Ag-Cu).

DSP A PWB

- IC39 IC40
- QC31 QC30 Q29 QC23 QC24 QC25
- IC22 IC24 IC23 IC28
- IC29
- QC11 QC12
- IC12 QC13 QC14
- QC16 QC15 QC17 IC19
- QC19 QC18 QC20
- IC14 QC34 QC21 QC22
- IC53
- QC33
- IC61
- IC64
- IC48
- IC49
- IC58
- IC63
- IC16
- IC15
- IC17
- IC18
- QC32
- QC10
- QC26 QC28 IC26
- QC27 IC25
- IC62
- IC33
- IC35
- IC44
- IC45
- IC41
- IC46
- IC47
- IC21 IC37 IC20

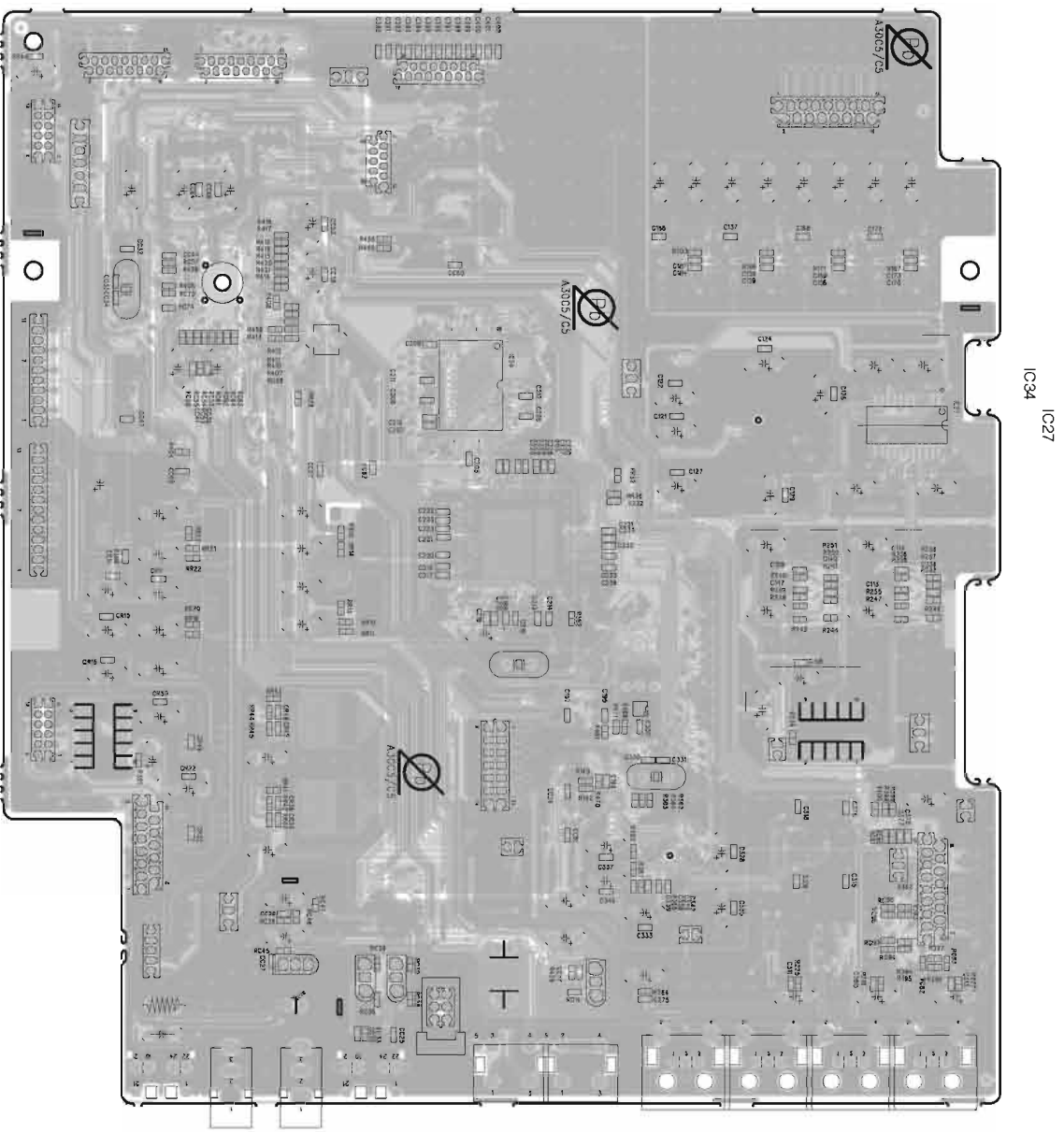


鉛フリー半田

半田付けには、鉛フリー半田 (Sn-Ag-Cu) を使用してください。

Lead-free Solder

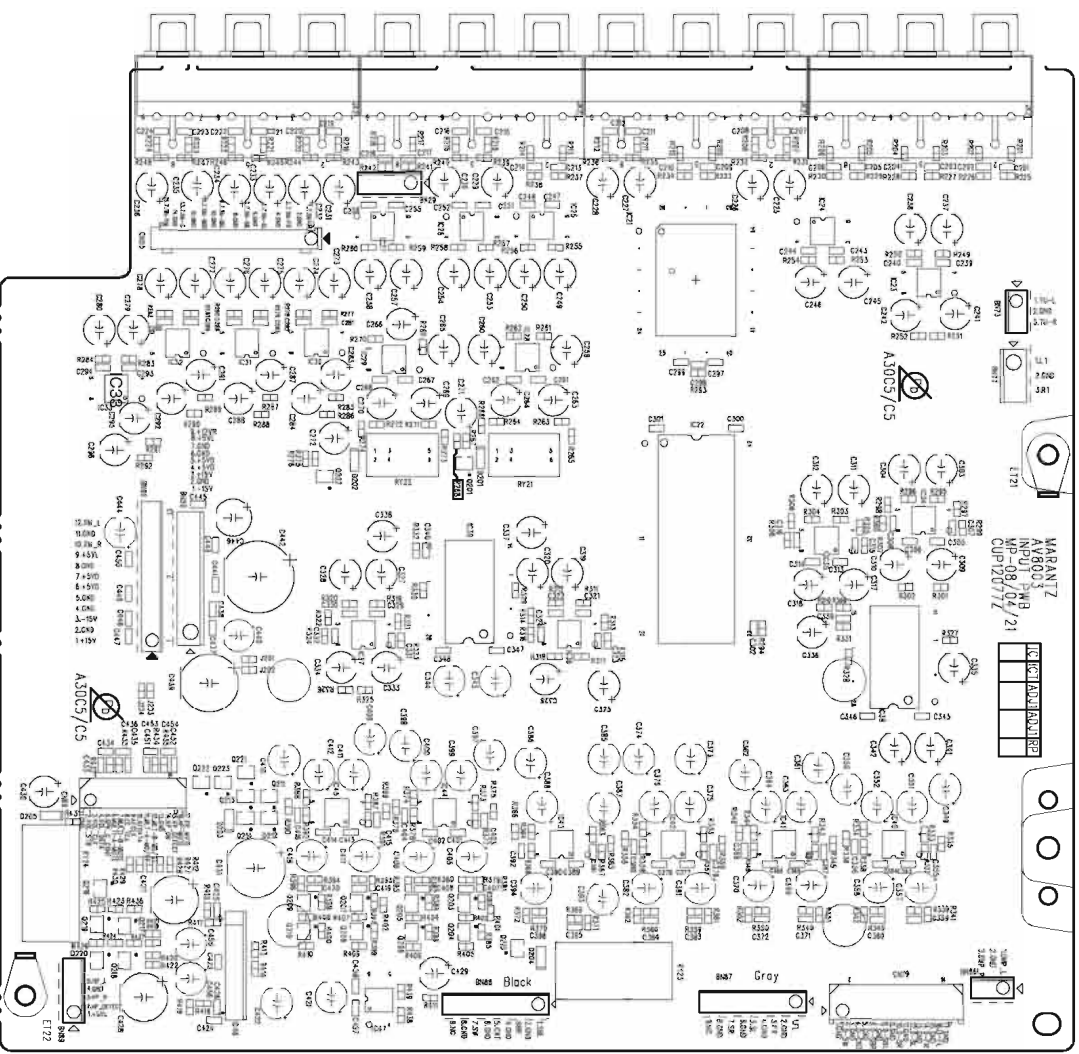
When soldering, use the Lead-free Solder (Sn-Ag-Cu).



鉛フリー半田
半田付けには、鉛フリー半田 (Sn-Ag-Cu) を使用してください。
Lead-free Solder
When soldering, use the Lead-free Solder (Sn-Ag-Cu).

INPUT A PWB

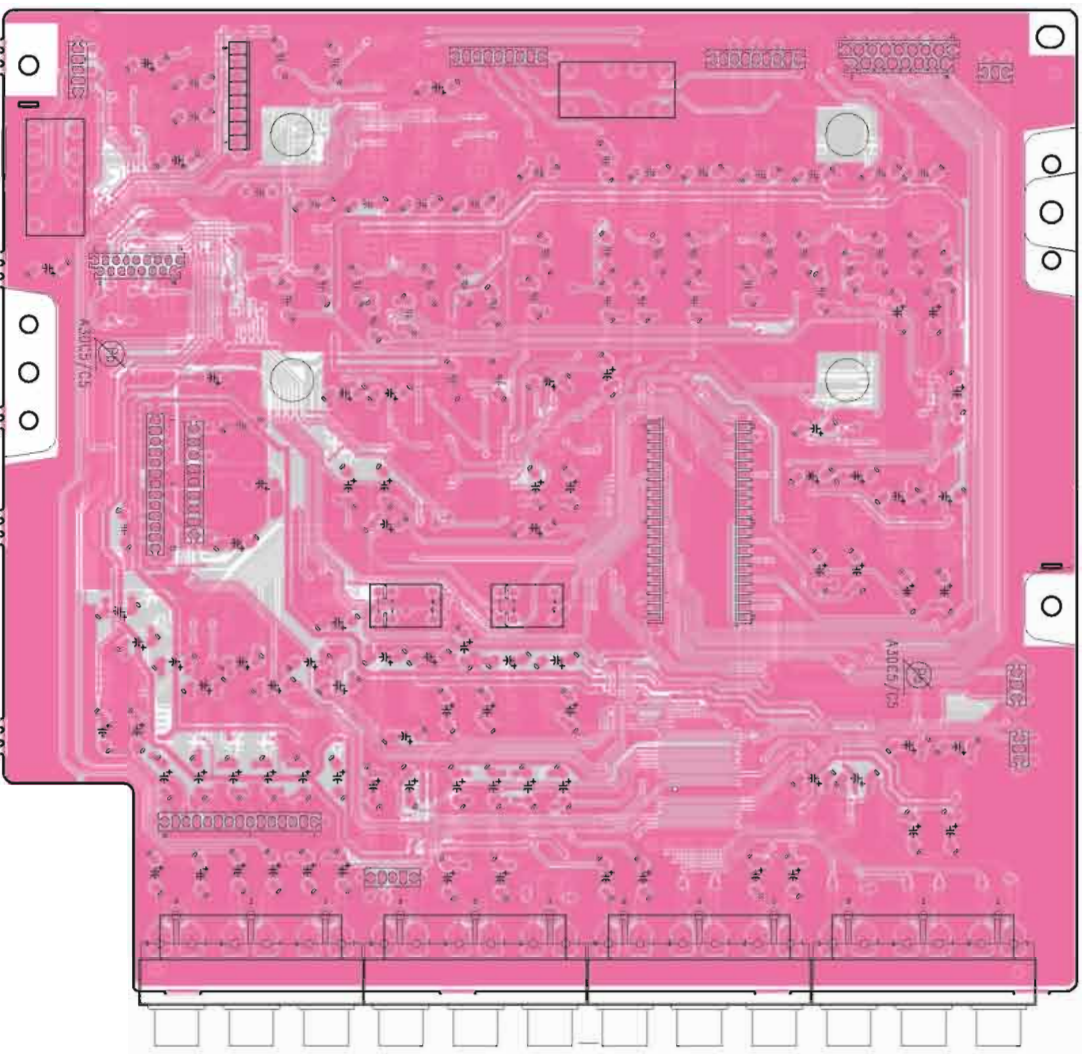
- | | | | |
|------|-------------|------|-----------|
| IC23 | IC34 | IC38 | IC40 |
| IC24 | IC35 | IC41 | IC41 |
| IC21 | IC22 | IC42 | IC42 |
| IC25 | IC28 | IC36 | IC43 |
| IC26 | IC29 | IC37 | Q203 Q204 |
| IC27 | Q201 | IC39 | Q205 Q206 |
| IC30 | Q202 | IC44 | Q207 Q208 |
| IC31 | Q211 - Q214 | IC45 | Q209 Q210 |
| IC32 | Q221 - Q223 | IC31 | IC47 |
| | Q216 - Q220 | IC32 | |



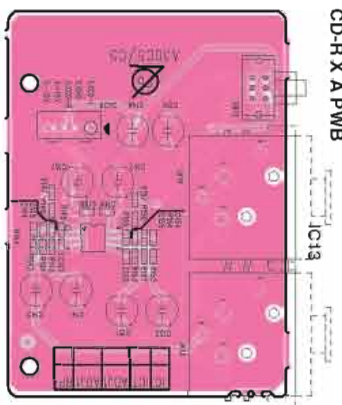
鉛フリー半田
半田付けには、鉛フリー半田 (Sn-Ag-Cu) を使用してください。

Lead-free Solder
When soldering, use the Lead-free Solder (Sn-Ag-Cu).

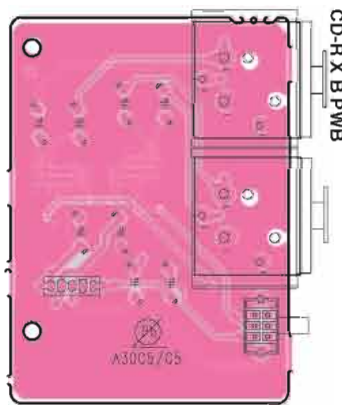
INPUT B PWB



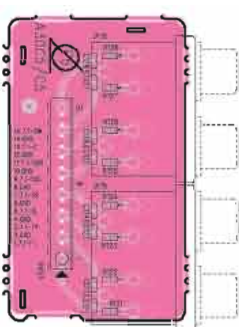
CD-R X A PWB



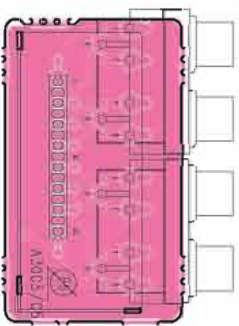
CD-R X B PWB



7.1 CH INPUT A PWB

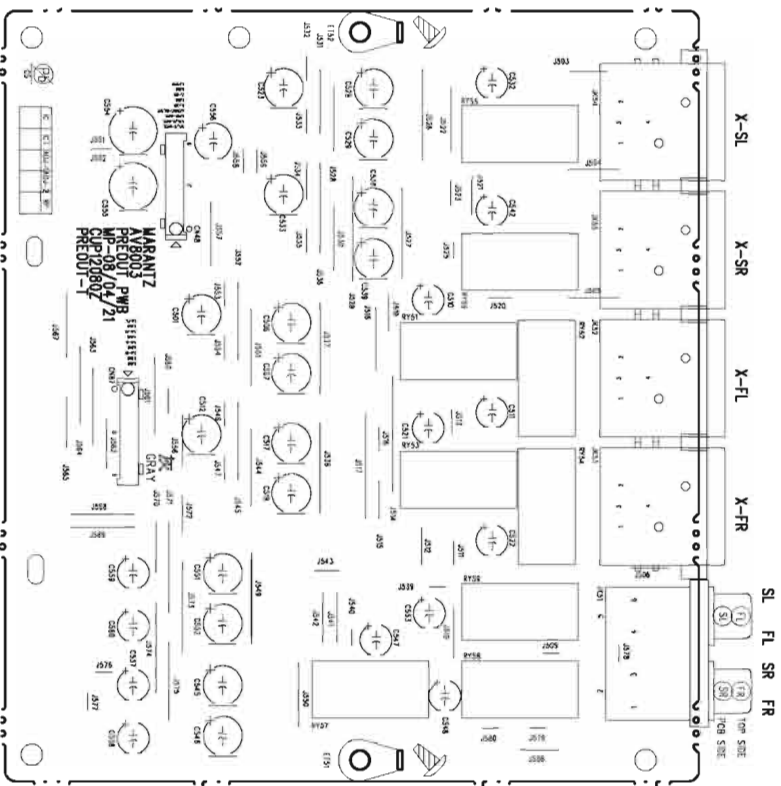


7.1 CH INPUT B PWB

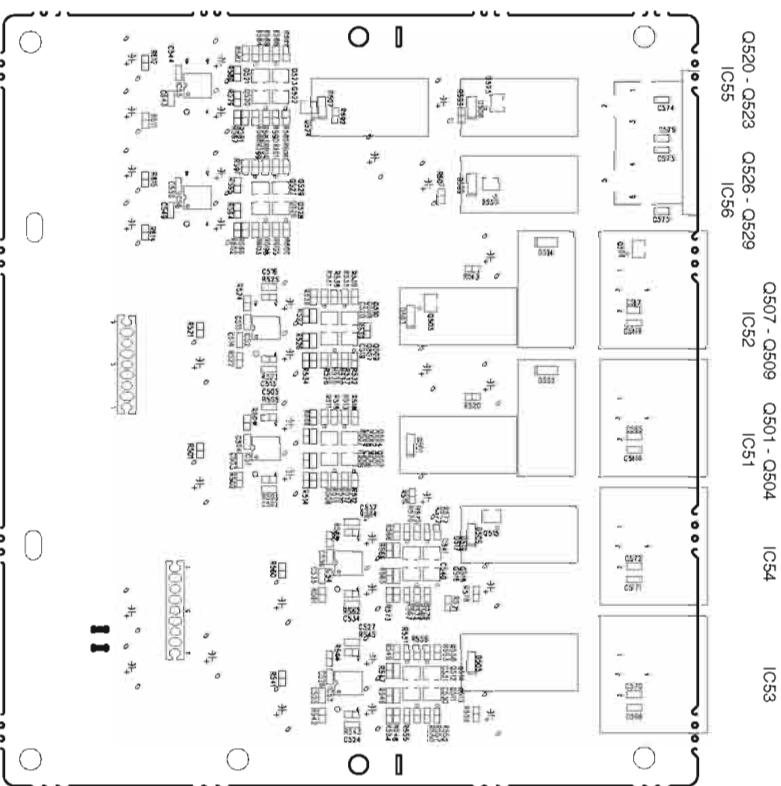


鉛フリー半田
半田付には、鉛フリー半田 (Sn-Ag-Cu) を使用してください。
Lead-free Solder
When soldering, use the Lead-free Solder (Sn-Ag-Cu).

PREOUTTOP A PWB

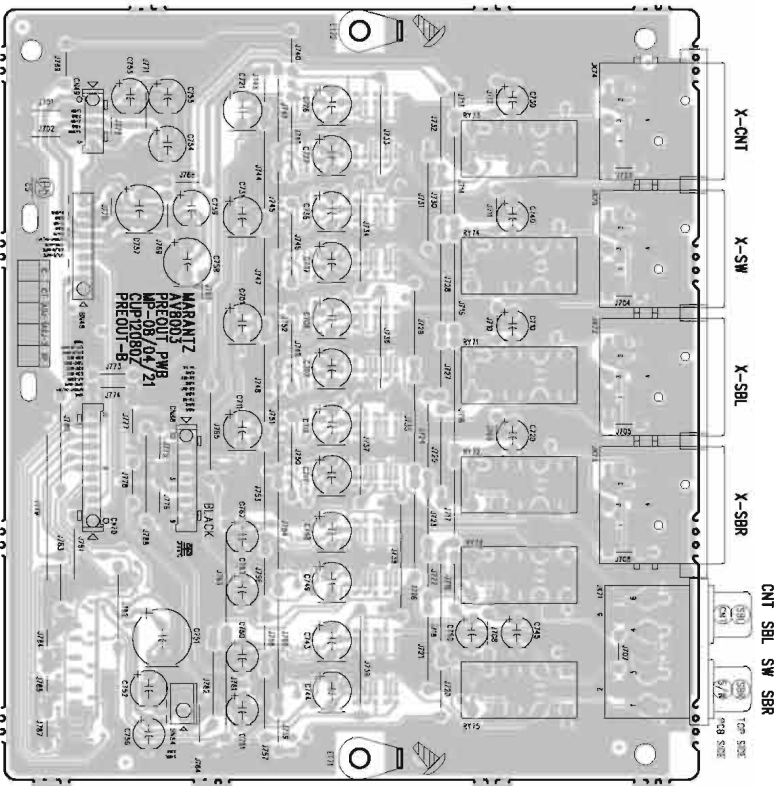


PREOUTTOP B PWB

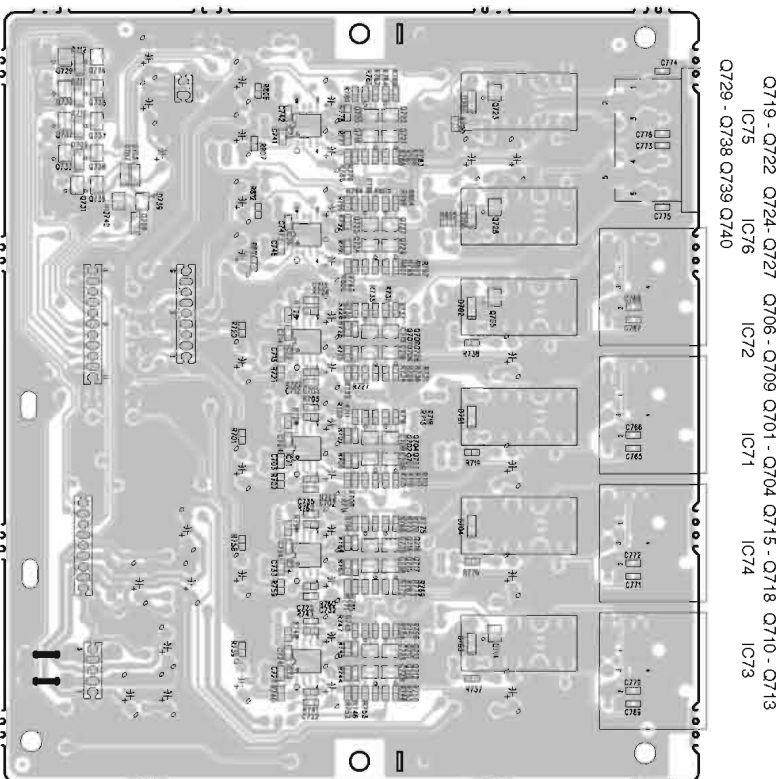


鉛フリー半田
半田付けには、鉛フリー半田 (Sn-Ag-Cu) を使用してください。
Lead-free Solder
When soldering, use the Lead-free Solder (Sn-Ag-Cu).

PREOUT BOTTOM A PWB

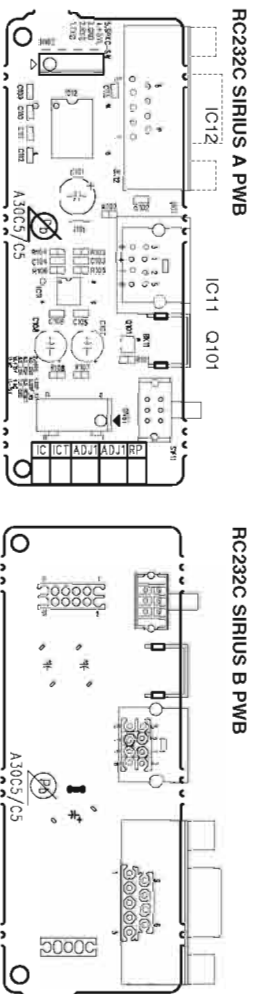


PREOUT BOTTOM B PWB

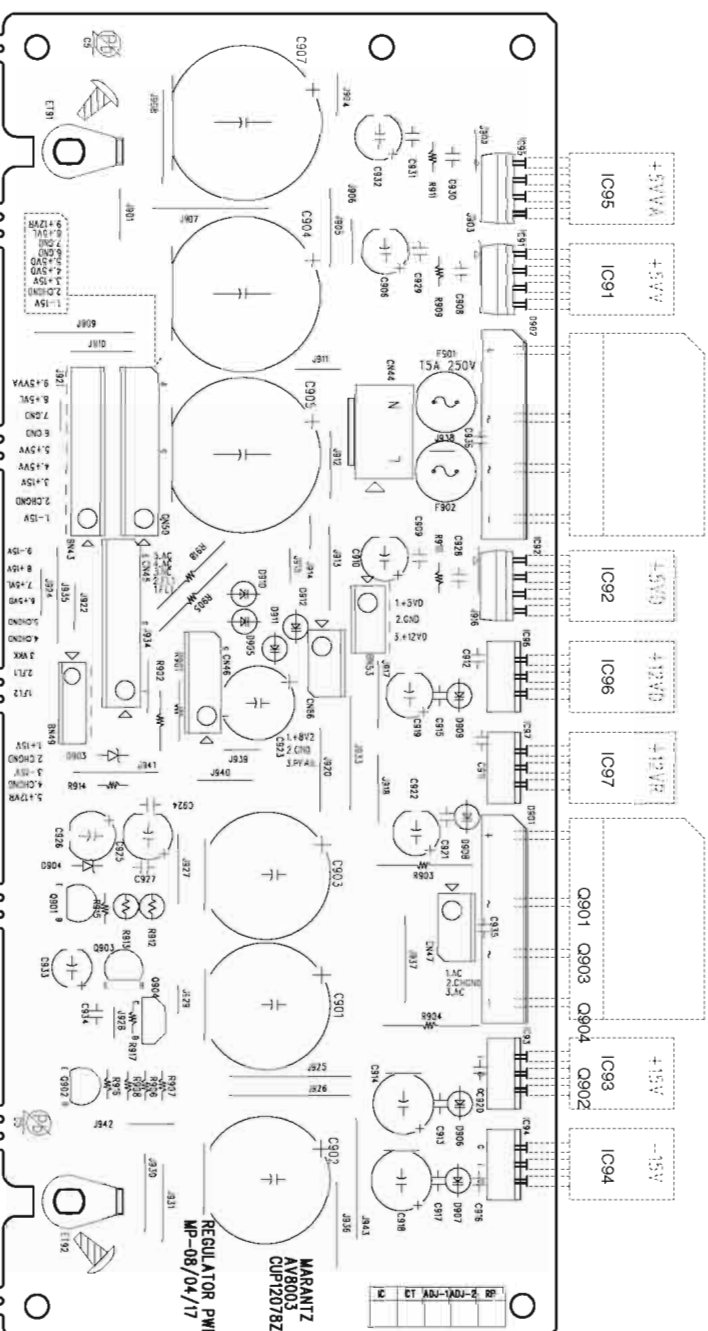


- O723 O728 O705 O714
- Q719 - Q722 Q724 - Q727 Q706 - Q709 Q701 - Q704 Q715 - Q718 Q710 - Q713
- IC75 IC76 IC72 IC71 IC74 IC73
- Q729 - Q738 Q739 Q740

鉛フリー半田
半田付けには、鉛フリー半田 (Sn-Ag-Cu) を使用してください。
Lead-free Solder
When soldering, use the Lead-free Solder (Sn-Ag-Cu).

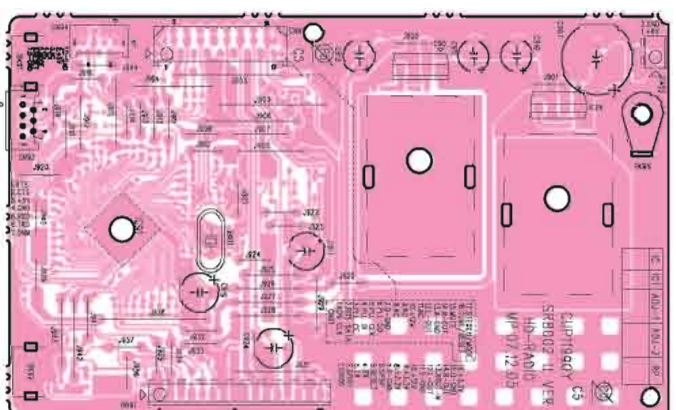


REGULATOR A PWB

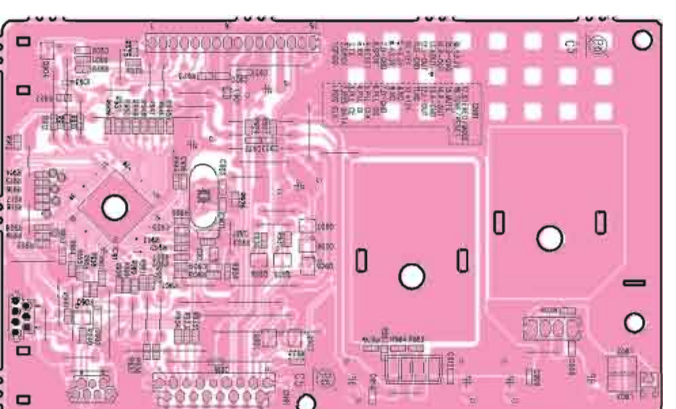


鉛フリー半田
半田付けには、鉛フリー半田 (Sn-Ag-Cu) を使用してください。
Lead-free Solder
When soldering, use the Lead-free Solder (Sn-Ag-Cu).

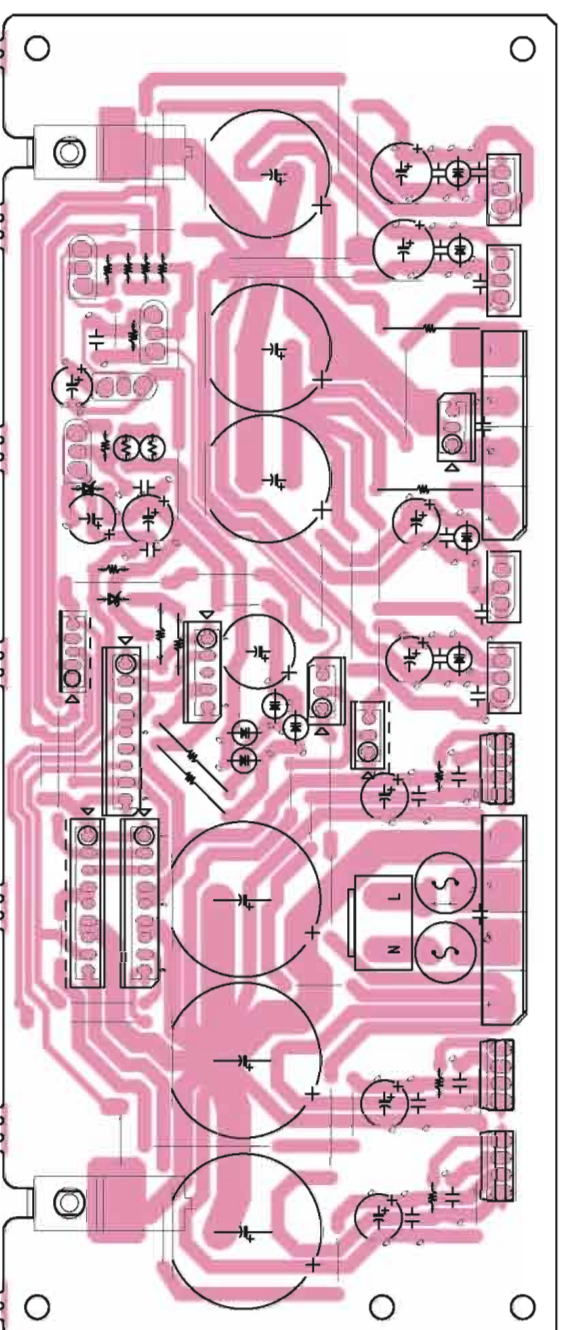
HD RADIO A PWB (U Only)



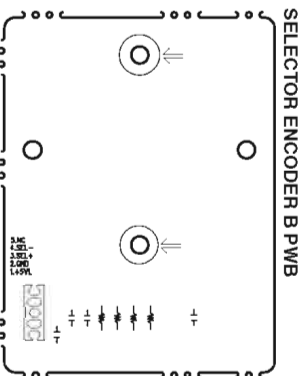
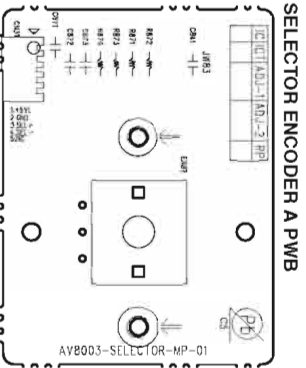
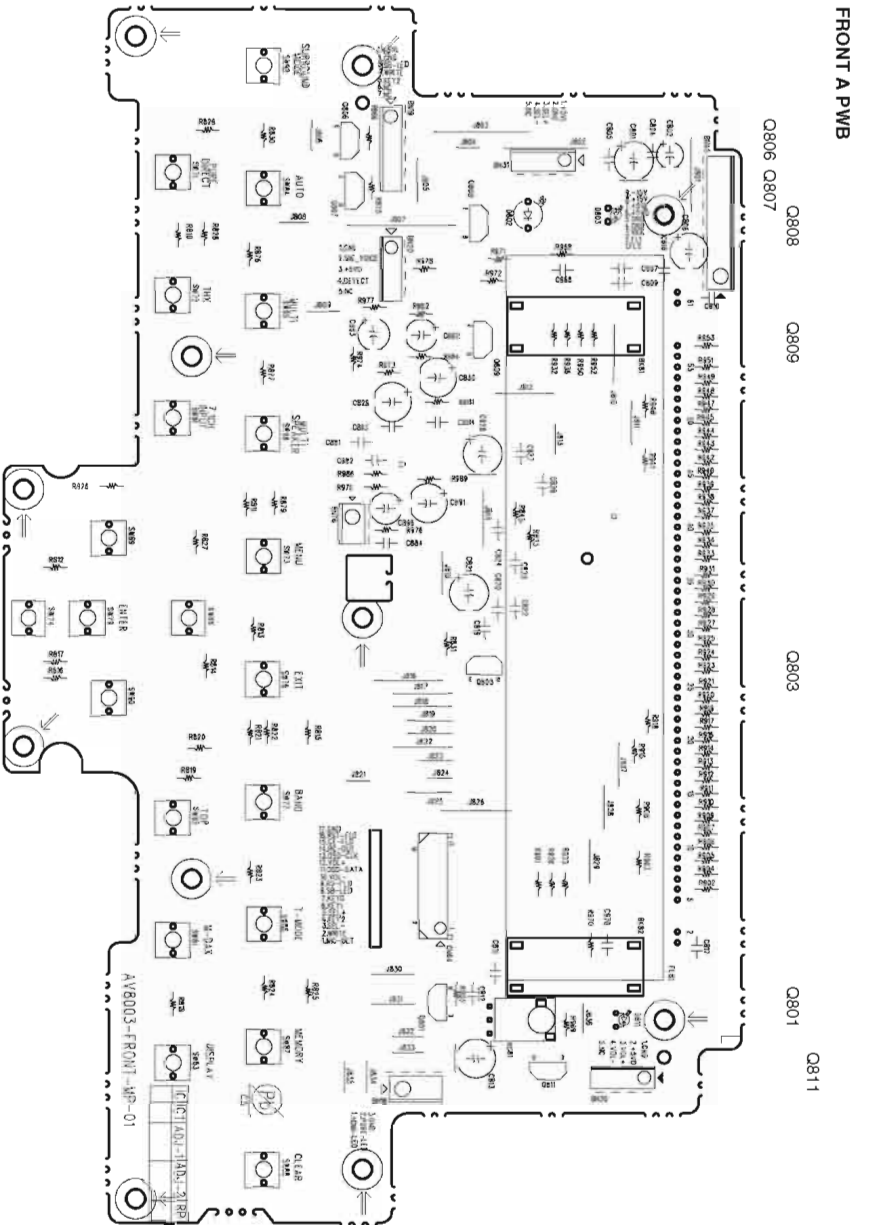
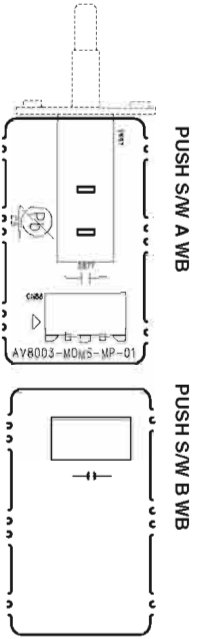
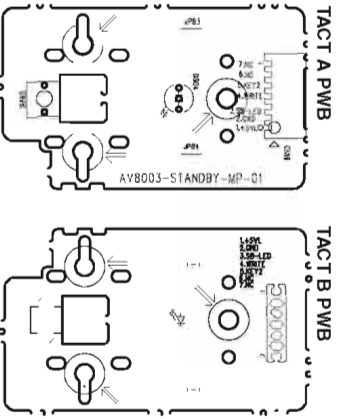
HD RADIO B PWB (U Only)
Q905 - Q909 Q901 Q902
IC92
Q904 IC93
IC91 Q903



REGULATOR B PWB

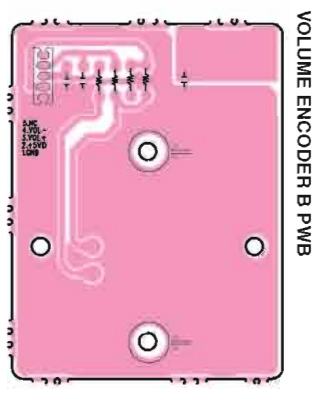
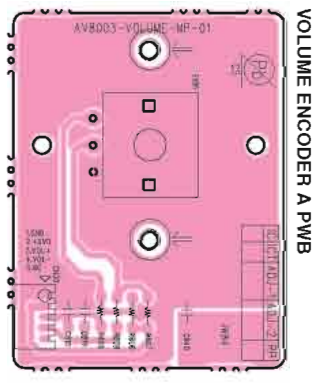
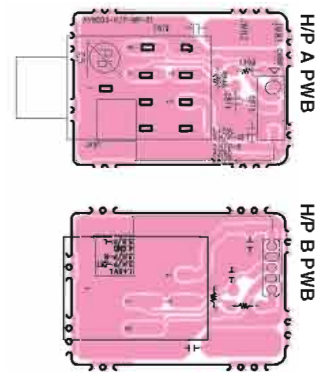
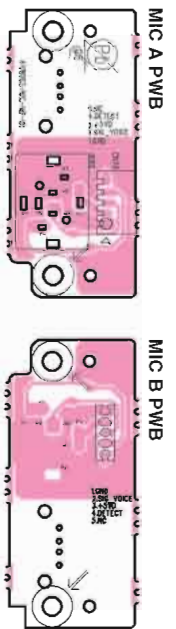
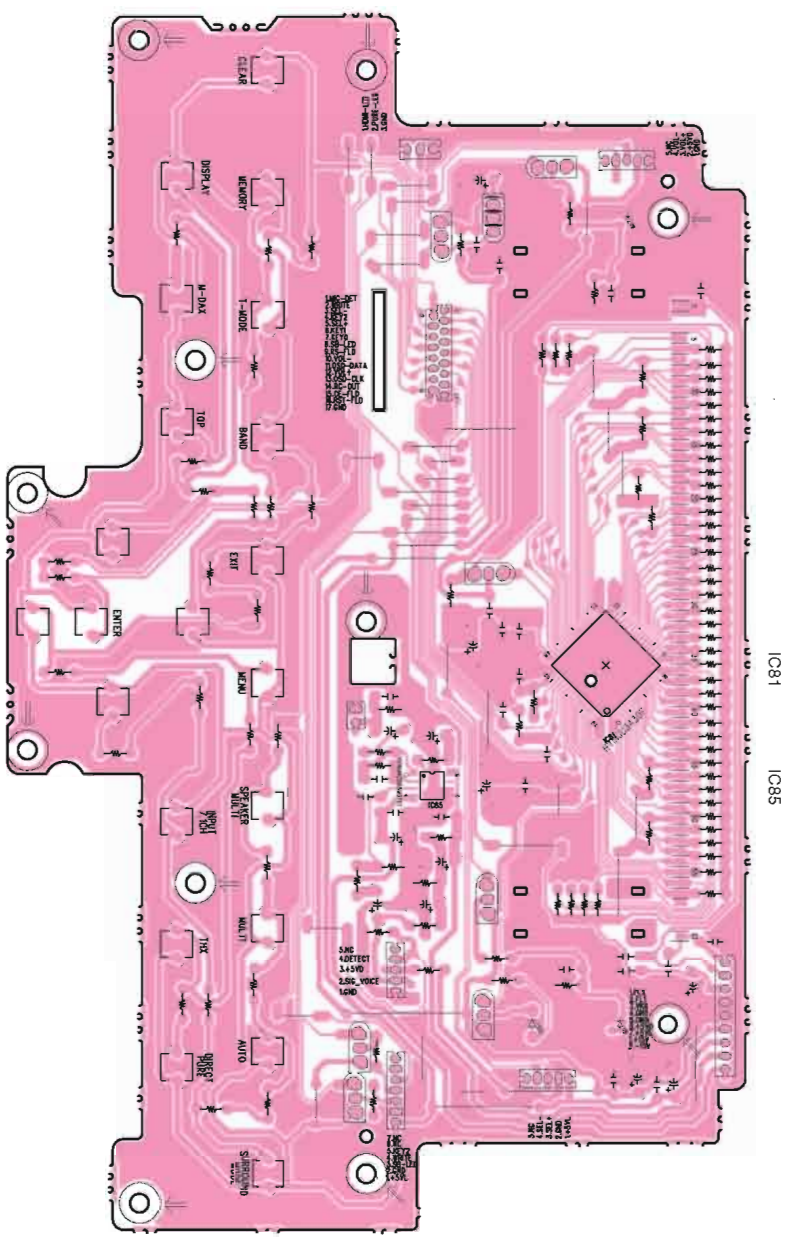


鉛フリー半田
半田付けには、鉛フリー半田 (Sn-Ag-Cu) を使用してください。
Lead-free Solder
When soldering, use the Lead-free Solder (Sn-Ag-Cu).



鉛フリー半田
半田付けには、鉛フリー半田 (Sn-Ag-Cu) を使用してください。
Lead-free Solder
When soldering, use the Lead-free Solder (Sn-Ag-Cu).

FRONT B PWB



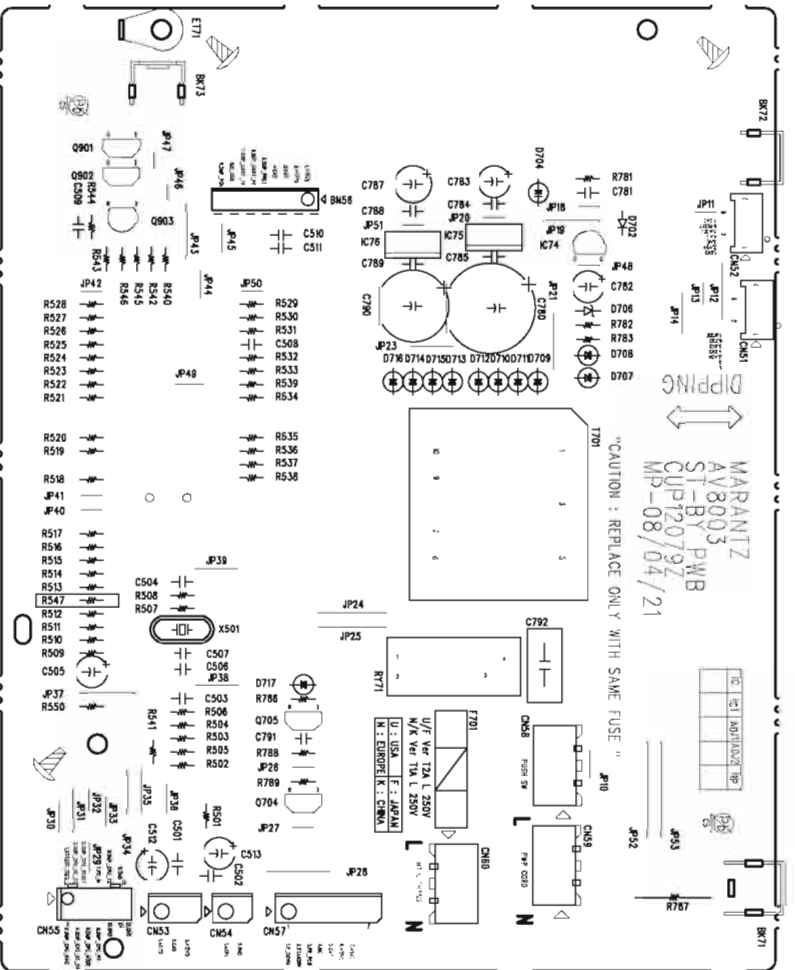
鉛フリー半田
半田付時には、鉛フリー半田 (Sn-Ag-Cu) を使用して下さい。
Lead-free Solder
When soldering, use the Lead-free Solder (Sn-Ag-Cu).

STANDBY A PWB

IC74 - IC76

Q901 - Q903

Q905 Q904



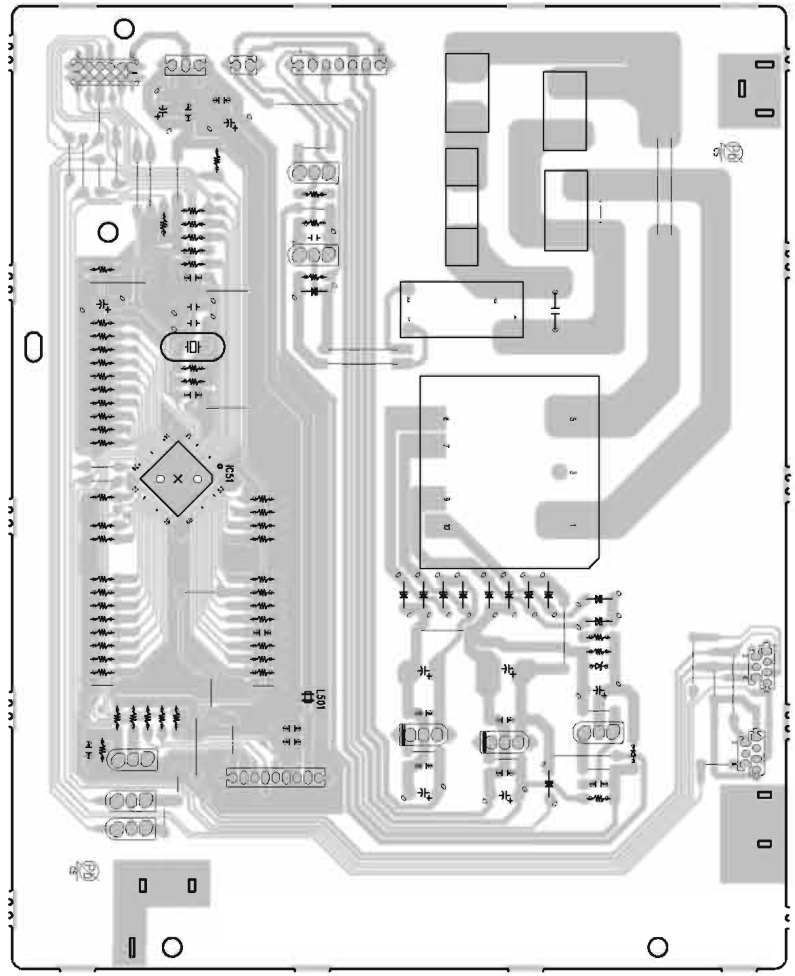
鉛フリー半田

半田付けには、鉛フリー半田 (Sn-Ag-Cu) を使用してください。

Lead-free Solder

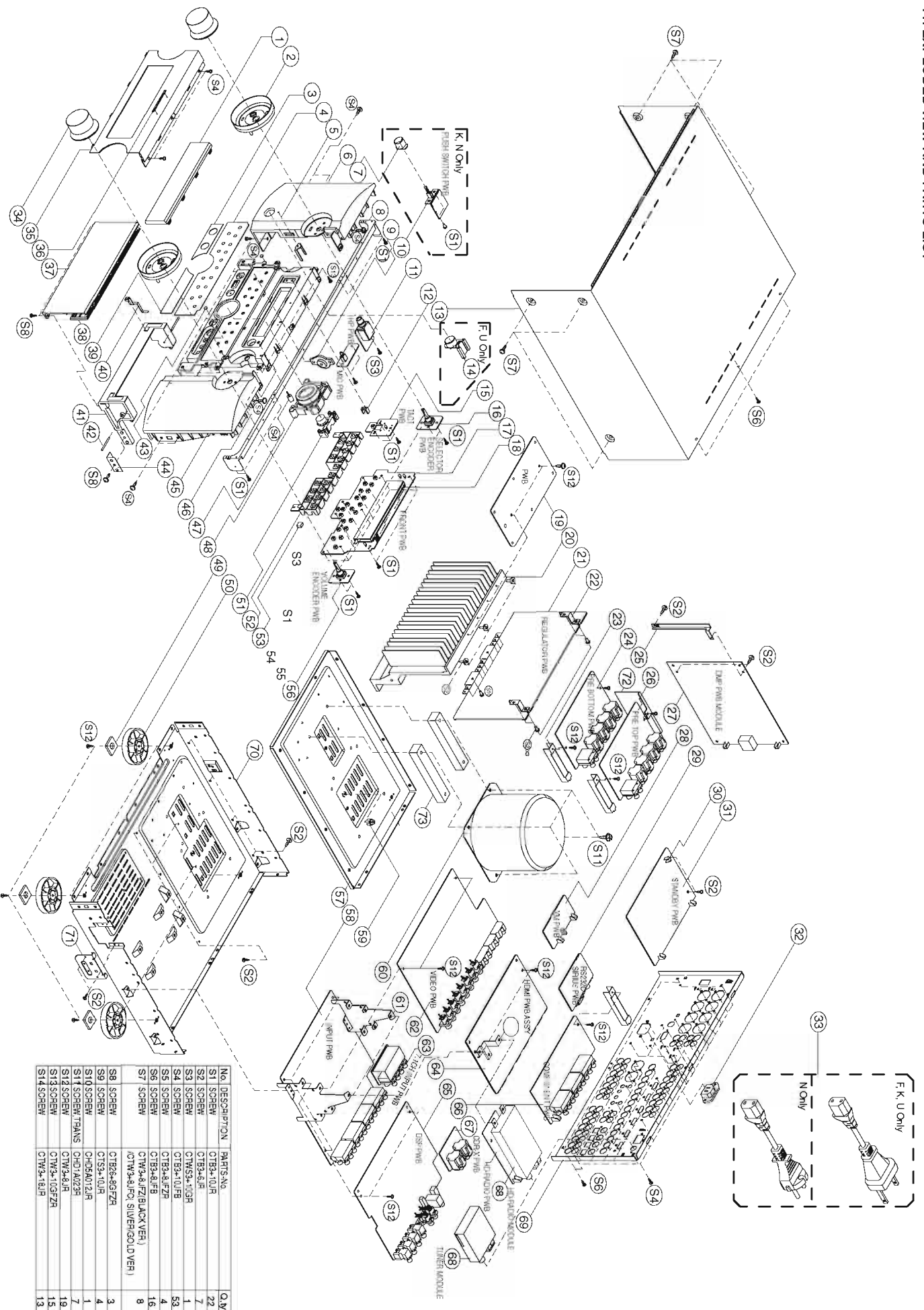
When soldering, use the Lead-free Solder (Sn-Ag-Cu).

10S1





鉛フリー半田
半田付けには、鉛フリー半田 (Sn-Ag-Cu) を使用してください。
Lead-free Solder
When soldering, use the Lead-free Solder (Sn-Ag-Cu).

11. EXPLODED VIEW AND PARTS LIST



P.W.B. NAME	POS. NO.	VERS. COLOR	PART NO. (FOR EUR)	PART NO. (MZ)	PART NAME	DESCRIPTION	
	1		416510007011M	416510007011M	WINDOW	WINDOW AV8003 BLACK	CGU1A419Z
	2		424510002017M	424510002017M	ESCUTCHEON	VOLUME RING BL	CGR1A449B37
	3		943422001430S	943422001430S	COVER	LEFT SMALL COVER AV8003	CGX1A409Z
	4		943422001410S	943422001410S	COVER	FUNCTION COVER AV8003	CGX1A407Z
	5		00M10BW355010	00M10BW355010	LENS	INDICATOR POWER	CGL1A231
	6 /N1B		422510007023M	422510007023M	PANEL	FRONT ESCUTCHION L(ON/OFF/BL)	CGW1A453RKZB37
	6 /U1B	nsp		422510006013M	PANEL	FRONT ESCUTCHION L(STANDBY/BL)	CGW1A453RKYB37
	7 /N1B		411510016027M	411510016027M	KNOB	BUTTON POWER PUSH BL	CBC1A166
	8	nsp	nsp		BRACKET	BRACKET BODY AV8003	CMD1A666
	9		943474001390S	943474001390S	DAMPER	DAMPER ASSY	CDG1A027Z
	10 /N1B		nsp	nsp	PWB ASSY	PUSH S/W PWB ASSY /N	COP12076B
	11 /N1B		nsp	nsp	PWB ASSY	H/P PWB ASSY /N	COP12076B
	11 /U1B		nsp	nsp	PWB ASSY	H/P PWB ASSY /U	COP12076C
	12		00M10BW355020	00M10BW355020	LENS	INDICATOR THX	CGL1A232
	14 /U1B		nsp	411510015017M	KNOB	BUTTON POWER TACT BL	CBT1A1072
	15 /U1B		nsp	nsp	PWB ASSY	TACT PWB ASSY /U	COP12076C
	16 /N1B		nsp	nsp	PWB ASSY	SELECTOR ENCODER PWB ASSY /N	COP12076B
	16 /U1B		nsp	nsp	PWB ASSY	SELECTOR ENCODER PWB ASSY /U	COP12076C
	17 /N1B		nsp	nsp	PWB ASSY	FRONT PWB ASSY /N	COP12076B
	17 /U1B		nsp	nsp	PWB ASSY	FRONT PWB ASSY /U	COP12076C
	20		nsp	nsp	HEATSINK	MIAN HEAT SINK AV8003	CMY1A298Z
	21		nsp	nsp	PWB ASSY	REGULATOR PWB ASSY	COP12076B
	22		nsp	nsp	BRACKET	BRACKET FOR POWER AMP PWB	CMD1A490
	23		nsp	nsp	BRACKET	MULTI BRACKET AV8003	CMD1A665
	24		nsp	nsp	PWB ASSY	PREOUT BOTTOM PWB ASSY	COP12080B
	25		nsp	nsp	BRACKET	DMP PWB BRACKET AV8003	CMD1A669
	26		nsp	nsp	PWB ASSY	PREOUT TOP PWB ASSY	COP12080B
	27		00MZK46CW0010	00MZK46CW0010	PWB ASSY	Y8800JA DMP MODULE	COP12095BM
	28 /U1B		nsp	nsp	PWB ASSY	XM PWB ASSY /U	COP12010C
	29 /N1B		nsp	nsp	PWB ASSY	RS232C SIRIUS PWB ASSY /N	COP12077B
	29 /U1B		nsp	nsp	PWB ASSY	RS232C SIRIUS PWB ASSY /U	COP12077C
	31 /N1B		nsp	nsp	PWB ASSY	STAND BY PWB ASSY /N	COP12079B
	31 /U1B		nsp	nsp	PWB ASSY	STAND BY PWB ASSY /U	COP12079C
▲	32		00MYJ04002640	00MYJ04002640	INLET	I R-301(21) AC INLET	CJL8A006ZW
	34		412410005014M	412410005014M	KNOB	KNOB VOLUME BL	CGK1A133YA
	35 /N1B		402410012015M	402410012015M	PANEL	FRONT AL PANEL N BL AV8003	CKM1A194ZC23
	35 /U1B		nsp	402410013018M	PANEL	FRONT AL PANEL U BL AV8003	CKM1A194YC45
	36		421410006004M	421410006004M	BADGE	MARANTZ BADGE (AL) M1 MODEL	CGB1A206
	37		415410001011M	415410001011M	DOOR	DOOR AL PANEL BL AV8003	CKM2A195C23
	38		943422001400S	943422001400S	ESCUTCHEON	INNER DOOR ORNAMENT	CGR1A457B37
	39		943422001420S	943422001420S	COVER	RIGHT SMALL COVER AV8003	CGX1A408Z
	40		nsp	nsp	PLATE	EARTH PLATE AV8003	CMC1A340
	41		454510002018M	454510002018M	HOLDER	HOLDER DOOR BL AV8003	CKG1A053
	42		00M10BW112010	00M10BW112010	SHAFT	SHAFT BASE	CDF1A018
	43		00M446T056010	00M446T056010	BUFFER	BASE BRACKET	CHG1A296Y
	44		00M10BW104010	00M10BW104010	RETAINER	BRACKET BASE	CMD1A542
	45		422510008033M	422510008033M	PANEL	FRONT ESCUTCHION R BL	CGW1A454PKB37
	46		402510014010M	402510014010M	PANEL	FRONT MOLD PANEL BL AV8003	CGW1A455B37
	47		00M03CW355010	00M03CW355010	LENS	HDMI INDICATOR	CGL1A245Z
	48		411510012018M	411510012018M	KNOB	BUTTON DIRECTION BL AV8003	CBT1A1074ZB37
	49		00M32CW107010	00M32CW107010	SHEET	CUSHION FOOT	CHG1A360
	50		00M243W057210	00M243W057210	LEG	LEG FOR SILVER	CKL2A042H46
	51		411510013028M	411510013028M	KNOB	BUTTON ENTER BL AV8003	CBT1A1075ZB37
	52		411510014038M	411510014038M	KNOB	BUTTON FUNCTION BL AV8003	CBT1A1073B37
	53		00M10BW305010	00M10BW305010	MAGNET	MAGNET BASE	CJC1A008
	56 /N1B		nsp	nsp	PWB ASSY	VOLUME ENCODER PWB ASSY /N	COP12076B
	56 /U1B		nsp	nsp	PWB ASSY	VOLUME ENCODER PWB ASSY /U	COP12076C
	57		nsp	nsp	BRACKET	TRANSF. BRACKET AV8003	CMD1A671
	58 /N1B		nsp	nsp	PWB ASSY	INPUT PWB ASSY /N	COP12077B
	58 /U1B		nsp	nsp	PWB ASSY	INPUT PWB ASSY /U	COP12077C
	59		nsp	nsp	HOLDER	HOLDER PWB	CHE1A030
▲	60 /N1B		943101001470M	943101001470M	TRANSF.	I POWER TRANSF. AV8003/N	CLT5Z020ZE
▲	60 /U1B		nsp	943101001480M	TRANSF.	I POWER TRANSF. AV8003/U	CLT5Z020ZU
	61		nsp	nsp	BRACKET	BRACKET MULTI PWB	CMD1A582
	62 /N1B		nsp	nsp	PWB ASSY	VIDEO PWB ASSY /N	COP12073B
	62 /U1B		nsp	nsp	PWB ASSY	VIDEO PWB ASSY /U	COP12073C
	63 /N1B		nsp	nsp	PWB ASSY	7.1CH INPUT PWB ASSY /N	COP12077B

NOTE : "nsp" PART IS LISTED FOR REFERENCE ONLY, MARANTZ WILL NOT SUPPLY THESE PARTS

P.W.B. NAME	POS. NO.	VERS. COLOR	PART NO. (FOR EUR)	PART NO. (MZ)	PART NAME	DESCRIPTION	
	63	/U1B	nsp	nsp	PWB ASSY	7.1CH INPUT PWB ASSY /U	COP12077C
	64		943309001500M	943309001500M	PWB ASSY	AV8003 HDMI PWB ASSY	COP12051B
	65	/N1B	943309001510M	943309001510M	PWB ASSY	AV8003/N DSP PWB ASSY	COP12075B
	65	/U1B	nsp	943309001520M	PWB ASSY	AV8003/U DSP PWB ASSY	COP12075C
	66		nsp	nsp	PWB ASSY	COMPONENT PWB ASSY	COP12074B
	67	/N1B	nsp	nsp	PWB ASSY	CDR-X PWB ASSY /N	COP12077B
	67	/U1B	nsp	nsp	PWB ASSY	CDR-X PWB ASSY /U	COP12077C
	68	/U1B	nsp	90M-AV000590R	TUNER	HD RADIO MODULE	CNVHDRMDVS0202
	68	/N1B	90M-AV000400R	90M-AV000400R	TUNER	TUNER MODULE(EUR)	CNVMB114MA18L
	69	/N1B	nsp	nsp	PANEL	REAR PANEL AV8003/N	CKF1A387Z
	69	/U1B	nsp	nsp	PANEL	REAR PANEL AV8003/U	CKF2A387Z
	70		nsp	nsp	CHASSIS	BOTTO CHASSIS AV8003	CUA1A285CC
	71		nsp	nsp	BRACKET	HS SIDE BRACKET AV8003	CMD1A670
	72		nsp	nsp	PLATE	SHIELD PLATE DMP PWB	CMX1A240
	73		nsp	nsp	PLATE	MAIN TRANSF. PLATE	CGX1A414Z
		/U1B	nsp	nsp	PWB ASSY	HD RADIO PWB ASSY /U	COP11990B
		/N1B	nsp	nsp	PWB ASSY	MIC PWB ASSY /N	COP12076B
		/U1B	nsp	nsp	PWB ASSY	MIC PWB ASSY /U	COP12076C
	BN34		nsp	nsp	CORD	WIRE ASSY 11P (2.0MM)	CWZAV8003BN34
	BN55		nsp	nsp	CORD	WIRE ASSY 12P (120MM 2.0MM)	CWZAV8003BN55
	BN59		nsp	nsp	CORD	WIRE ASSY 2P Y(110MM 7.92MM)	CWZAV8003BN59A
	BN61		nsp	nsp	CORD	WIRE ASSY 12P (180MM 2.0MM)	CWZAV8003BN61
	JW11	/N1B	nsp	nsp	CORD	WIRE ASSY	CWB4F282500UU
	JW12		nsp	943606001680S	FPC	17P 250MM 1.0MM	CWC4F4A17A250A
	JW13	/U1B	nsp	943606001690S	FPC	15P 120MM 1.25MM	CWC6C4A15B120B
	JW14		nsp	90M-YU003100R	FPC	17P 180MM	CWC4F4A17A180B
	JW15		nsp	943606001720S	FPC	17P 100MM 1.0MM	CWC6F4A17A100A
	JW16	/N1B	nsp	943606001650S	FPC	17P 200MM 1.25MM	CWC4C4A17B200B
	JW17	/U1B	nsp	943606001700S	FPC	17P 120MM 1.25MM	CWC6C4A17B120B
	JW19		nsp	90M-YU002320R	FPC	17P 150MM	CWC4C4A17B150B
	JW20		nsp	90M-YU003210R	FPC	15P 150MM FPC	CWC6F4A15A150B
	JW21		nsp	943606001710S	FPC	13P 150MM 1.0MM	CWC6F4A13A150B
	JW22		nsp	943606001730S	FPC	17P 220MM 1.0MM	CWC6F4A17A220B
	JW23		nsp	943606001670S	FPC	17P 100MM 1.0MM A TYPE	CWC4F4A17A100A
	JW24		nsp	943606001660S	FPC	11P 150MM 1.0MM	CWC4F4A11A150A
			90M-FC500120R	90M-FC500120R	FERRITE CORE	FERRITE CORE	CLZ9Z070Z
			90M-FC500130R	90M-FC500130R	FERRITE CORE	FERRITE CORE	CLZ9Z071Z
			943117001490S	943117001490S	FERRITE CORE	K5C FS 28X7.7X15X15	CLZ9Z091Z
			90M-FC500030R	90M-FC500030R	FERRITE CORE	FERRITE RING 29X7.7X19	CLZ9W003Z
			90M-FC500040R	90M-FC500040R	FERRITE CORE	FERRITE CORE(21.2X6.4X12.7) K5C T	CLZ9Z028Z
			90M-FC500130R	90M-FC500130R	FERRITE CORE	FERRITE CORE	CLZ9Z071Z
PACKING							
		/N1B	541110072038M	541110072038M	USER GUIDE	USER GUIDE AV8003 N	CQX1A1344Z
		/U1B	nsp	541110070025M	USER GUIDE	USER GUIDE AV8003 U	CQX1A1345Z
		/N1B	541110097037M	541110097037M	USER GUIDE	USER GUIDE NETWORK N	CQX1A1378Z
		/U1B	nsp	541110097020M	USER GUIDE	USER GUIDE NETWORK U	CQX1A1380Z
		/N1B	541110133032M	541110133032M	USER GUIDE	USER GUIDE WIZZ.IT3 N	CQX1A1379Z
		/U1B	nsp	541110133025M	USER GUIDE	USER GUIDE WIZZ.IT3 U	CQX1A1381Z
			307010019009M	307010019009M	UNIT KIT	REMOTE CONTROLLER RC2001	CARTAV8003M
			00MZK36CW0020	00MZK36CW0020	UNIT KIT	REMOTE CONTROLLER RC101SR	CARTSR8002M
		33 /N1B	90M-ZC000320R	90M-ZC000320R	MAINS CORD	I MAINS CORD 2WIRE 10A/250V	CJA2B054Z
		33 /U1B	nsp	90M-ZC000310R	MAINS CORD	I MAINS CORD UL 032508/12	CJA2A070Z
			90M-ZK000670R	90M-ZK000670R	UNIT KIT	MIC AUDYSSEY WITH FERRITE CORE	CMICROSR8001A
NOT STANDARD SPARE PART							
		/N1B	nsp	531110012053M	MASS CARTON	MASTER CARTON N AV8003	CPG1A862Z
			nsp	531110011012M	PACKING CASE	PACKING CASE AV8003	CPG1A861Z
			nsp	533610007014M	CUSHION	CUSHION L AV8003	CPS1A813
			nsp	533610008024M	CUSHION	CUSHION R AV8003	CPS1A814
	13		nsp	00M05CW257010	LID	TOP COVER (BLACK)	CKC1A170K117
			nsp	943612001460S	CONN. CORD	USB CABLE 4PA/M-MINI USB 5P(B)/M	CJS6W001Z
		/N1B	nsp	90M-ZA000240R	ANTENNA	AM LOOP ANT	CSA1A020Z
		/U1B	nsp	90M-ZA000310R	ANTENNA	AM LOOP HD RARIO S0160BL-32	CSA1A034Z
		/U1B	nsp	90M-ZA000320R	ANTENNA	FM ADAPTOR BROWN P-03P1-002A	CLR001
		/N1B	nsp	90M-ZA000210R	ANTENNA	ANT FM WIRE (PIGTAIL)	CSA1A007
		/U1B	nsp	90M-ZA000330R	ANTENNA	FM.T (LUG TYPE)	CSA267

NOTE : *nsp* PART IS LISTED FOR REFERENCE ONLY, MARANTZ WILL NOT SUPPLY THESE PARTS.

12. MICROPROCESSOR AND IC DATA

IC17 : M3087BFK BGP

pin No	Port Name Mode7	Vcc	I/O Volt	I/O	Use	Nor. STBY	Name	V Device	PortSetup		Note	Level Shift
									Act.	Init		
1	P9-6/ANEX1/TxD4/SDA4/SRxD4	P1	+5V	I/O	I/O	I	DMP_CPU_IICDATA	(3.3-)5.0V	-	L	I2C Data for DMP CPU	
2	P9-5/ANEX0/CLK4/	P1	+5V	I/O	O	I	VOL_DTA	5.0V	-	L	Ele Volume IC Strobe (TC9482)	
3	P9-4/DA1/TB4in/_CTS4/_RTS4/_SS4	P1	+5V	I/O	O	I	VOL_CLK	5.0V	-	L	Ele Volume IC Strobe (TC9482)	
4	P9-3/DA0/TB3in/_CTS3/_RTS3/_SS3	P1	+5V	I/O	T_IN	I	IR_RECEIVER_IN	5.0V	-	-	RFC	
5	P9-2/TB2in/TxD3/SDA3/SRxD3/OUTC20/Ieout/ISTxD2	P1	+5V	I/O	T_IN	I	VSYNC	5.0V	↑	-	V-Sync Detect & Change OSD (LC74781)	
6	P9-1/TB1in/RxD3/SCL3/STxD3/Iein/ISRxD2	P1	+5V	I/O	I	O	M_RC_IN	5.0V	L	H	Multi RC5 In Detect Signal	
7	P9-0/TB0in/CLK3	P1	+5V	I/O	T_IN	I	RC_IN	5.0V	↑ ↓	-	IR In from RC-5	
8	P14-6/_INT8	P1	+5V	I/O	INT	I	WAKEUP	5.0V	↑	-	CPU Standby Mode Release	
9	P14-5/_INT7	P1	+5V	I/O	INT	I	_AMUTE0	3.3V	L	H	MUTE Control from TI DSP (DA708)	○
10	P14-4/_INT6	P1	+5V	I/O	I	I	DMP_CPU_READREQ	5.0V			Read Request from DMP_CPU	
11	P14-3/INPC1-7/OUTC1-7	P1	+5V	I/O	SO	O	OSDDATA	5.0V	-	L	Front FL, Video(OSD), 4094 Data NJM3430, LC74782, 74HC4094 x 3pcs	
12	P14-2/INPC1-6/OUTC1-6	P1	+5V	I/O	SC	I	OSDCLK	5.0V	-	L	Front FL, Video(OSD), 4094 Clock NJM3430, LC74782, 74HC4094 x 3pcs	
13	P14-1/INPC1-5/OUTC1-5	P1	+5V	I/O	O	I	_CEEX	5.0V	L	H	Serial to Parallel Expnder for Video Strobe (74HC4094 x 3pcs)	



Pin No. 63-65

Refer to IC79, ic80, IC83.

Seri2Para for Video

74HC4094 x 3pcs

(Vcc = 5.0V)

pin No	Port Name Mode7	Vcc	I/O Volt	I/O	Use	Nor. STBY	Name	V Device	PortSetup		Note	Level Shift
									Act.	Init		
14	P14-0/INPC1-4/OUTC1-4	P1	+5V	I/O	O	I	CP_SEL4	3.3-5.0V			Component Video Input Select 4 (NJM2584 4/4)	
15	BYTE	P1	+5V	I	I	I	BYTE	-	L	L	GND : Single Chip Mode	
16	CNVss	P1	+5V	I	I	I	CNVSS	-	L	L	L : Single Chip Mode, H : Boot mode	
17	P8-7/Xcin	P1	+5V	I/O	O	I	VOL_STB	5.0V	H	L	Ele Volume IC Strobe (TC9482)	
18	P8-6/Xcout	P1	+5V	I/O	O	I	KILLFLASH	5.0V	H	L	Kill Flasher OUT	
19	_RESET	P1	+5V	I	YES	I	_RESET	-	L	H	RESET	
20	Xout	P1	+5V	O	YES	I	Xout	-	-	-	X'tal(20MHz)	
21	Vss	Vss		I	-	I	VSS	-	-	-	GND	
22	Xin	P1	+5V	I	YES	I	Xin	-	-	-	X'tal(20MHz)	
23	Vcc1	P1Vcc	+5V	I	YES	I	VCC1	-	-	-	+5V	
24	P8-5/_NMI	P1	+5V	I/O			N.C					
25	P8-4/_INT2	P1	+5V	I/O	INT	I	_P_DOWN	5.0V	L	-	Power Down Detect	
26	P8-3/_INT1	P1	+5V	I/O	INT	I	RDS_CLK	5.0V	-	-	Tuner RDS Clock (Tuner Pck)	
27	P8-2/_INT0	P1	+5V	I/O	I	I	_TU_SD	5.0V	L	H	Tuner Tuned (Tuner Pack)	
28	P8-1/TA4in/_U/INPC1-5/OUTC1-5/_CTS5/_RTS5/_RTP2-3	P1	+5V	I/O	I	I	TU_ST	5.0V	H		Tuner Stereo/Mono (Tuner Pack)	

IC17 : M3087BFKBGP

pin No	Port Name Mode7	Vcc	I/O Volt	I/O	Use	Nor. STBY	Name	V Device	PortSetup		Note	Level Shift
									Act.	Init		
29	P8-0/TA4out/U/ISRxD0/RxD5	P1	+5V	I/O	O	I	TU_MUTE	5.0V	H	H	Tuner Mute (Tuner Pack)	
30	P7-7/TA3in/INPC1-4/OUTC1-4/ISCLK0/CLK5/RTP2-2	P1	+5V	I/O	O	I	_CE_TU	5.0V	L	L	Tuner PLL CE (Tuner Pack)	
31	P7-6/TA3out/INPC1-3/OUTC1-3/ISTxD0/TxD5	P1	+5V	I/O	O	I	TUDOUT	5.0V	-	L	Tuner PLL Data out (Tuner Pack)	
32	P7-5/TA2in/_W/INPC1-2/ISRxD1/RTP2-1	P1	+5V	I/O	O	I	TUCLK	5.0V	-	L	Tuner PLL Clock (Tuner Pack)	
33	P7-4/TA2outW/INPC1-1/OUTC1-1/ISCLK1/RTP2-0	P1	+5V	I/O	T_OUT	I	RC_OUT	5.0V	-	H	RC BUS OUT	
34	P7-3/TA1in/_V/_CTS2/_RTS2/_SS2/INPC1-0/OUTC1-0/ISTxD1	P1	+5V	I/O	I	I	TUDIN	5.0V	-	L	Tuner PLL Data in (Tuner Pack)	
35	P7-2/TA1outV/CLK2	P1	+5V	I/O	T_OUT	I	M_RC_OUT	5.0V	-	L	RC BUS MULTI OUT	
36	P7-1/TA0in/TB5in/RxD2/SCL2/STxD2/INPC1-7/OUTC1-7/OUTC2-2/ISRxD2/IEin/RTP0-3	P1	+5V	I/O	SC	I	V_SCL	3.3V	-	H	I2C Clock for Video Devices (ADV7401/ADV7320/CD0040/ABT1010)	○
37	P7-0/TA0out/TxD2/SDA2/SRxD2/INPC1-6/OUTC1-6/OUTC2-0/ISTxD2/IEout/RTP0-2	P1	+5V	I/O	SIO	I	V_SDA	3.3V	-	H	I2C Data for Video Devices (ADV7401/ADV7320/CD0040/ABT1010)	○
38	P6-7/TxD1/SDA1/SRxD1	P1	+5V	I/O	SC	O	TXD	5.0V	-	H	UART for RS232C Flush WR Pull Up	
39	Vcc1	P1Vcc	+5V	I	YES	I	VCC1	-	-	-	+5V'	
40	P6-6/RxD1/SCL1/STxD1	P1	+5V	I/O	SI	I	RXD	5.0V	-	H	UART for RS232C Flush WR Pull Up Reset : "H"	
41	Vss	Vss		I	-	I	VSS	-	-	-	GND	
42	P6-5/CLK1	P1	+5V	I/O	O	I	DC_OUT1	5.0V	L	H	DC Triger 1	
43	P6-4/_CTS1/_RTS1/_SS1/OUTC2-1/ISCLK2	P1	+5V	I/O	O	I	DC_OUT2	5.0V	L	H	DC Triger 2	
44	P6-3/TxD0/SDA0/SRxD0/IrDAout	P1	+5V	I/O	SIO	I	CPU_SDA	5.0V	-	H	HDMI CPU I/F (H8/36087)	
45	P6-2/RxD0/SCL0/STxD0/IrDAin	P1	+5V	I/O	SC	I	CPU_SCL	5.0V	-	H	HDMI CPU I/F (H8/36087)	
46	P6-1/CLK0/RTP0-1	P1	+5V	I/O	O	I	RS232C_SW	5.0V			RS232C_Switch (DSP CPU or DMP PCB)	
47	P6-0/_CTS0/_RTS0/_SS0/RTP0-0	P1	+5V	I/O	O	I	RS232C_SW2	5.0V	L	-	RS232C_SW2	
48	P13-7/OUTC2-7	P2	+3.3V	I/O	O	I	_RSTDAC	3.3V	L	L	Reset for DAC (CS4382)	
49	P13-6/OUTC2-1/ISCLK2	P2	+3.3V	I/O	SC	I	SPIO_CLK	3.3V	-	L	Serial Clock Out for TI DSP (DA708)	
50	P13-5/OUTC2-2/ISRxD2/IEin	P2	+3.3V	I/O	SI	I	SPIO_SOMI	3.3V	-	L	Serial Data In from TI DSP (DA708)	
51	P13-4/OUTC2-0/ISTxD2/IEout	P2	+3.3V	I/O	SO	I	SPIO_SIMO	3.3V	-	H	Serial Data Out for TI DSP (DA708)	
52	P5-7/_RDY	P2	+3.3V	I/O	O	I	SWMUTE	3.3-5.0V	H	H	SUB W SPK MUTE	
53	P5-6/ALE	P2	+3.3V	I/O	O	I	CNTMUTE	3.3-5.0V	H	H	CENTER SPK MUTE	
54	P5-5/_HOLD	P2	+3.3V	I/O	I	I	_BOOT	3.3V	-	-	L : Boot Mode, H : Operation	
55	P5-4/_HLDA/ALE	P2	+3.3V	I/O	O	I	SBMUTE	3.3-5.0V	H	H	SRR B SPK MUTE	
56	P13-3/OUTC2-3	P2	+3.3V	I/O	O	I	SL/SRMUTE	3.3-5.0V	H	H	SL/SR SPK MUTE	
57	Vss	Vss		I	-	I	VSS	-	-	-	GND	
58	P13-2/OUTC2-6	P2	+3.3V	I/O	O	I	L/RMUTE	3.3-5.0V	H	H	FRONT L/R SPK MUTE	

IC17 : M3087BFKBGP

pin No	Port Name Mode7	Vcc	I/O Volt	I/O	Use	Nor. STBY	Name	V Device	PortSetup		Note	Level Shift
									Act.	Init		
59	Vcc2	P2Vcc	+3.3V	I	YES	I	VCC2	-	-	-	+3.3V'	
60	P13-1/OUTC2-5	P2	+3.3V	I/O	O	I	MULTIMUTEA	3.3-5.0V	H	H	MULTI ROOM A MUTE	
61	P13-0/OUTC2-4	P2	+3.3V	I/O	O	I	MULTIMUTEA	3.3-5.0V	H	H	MULTI ROOM B MUTE	
62	P5-3/CLKout/ BCLK/ALE	P2	+3.3V	I/O	O	I	_CSDAC	3.3V	L	H	DAC CHIP SELECTION (CS4382)	
63	P5-2/_RD	P2	+3.3V	I/O	O	I	S2P_DATA	3.3-5.0V	-	L	4094 DATA (74HC4094 x 2pcs/CS4382)	
64	P5-1/_WRH/_BHE	P2	+3.3V	I/O	O	I	S2P_CLK	3.3-5.0V	-	L	4094 Clock (74HC4094 x 2pcs/CS4382)	
65	P5-0/_WRL/_WR	P2	+3.3V	I/O	I	I	BOOT	3.3V	-	-	H : Boot Mode, L : Operation	
66	P12-7	P2	+3.3V	I/O	O	I	S2P_STB	3.3-5.0V	-	H	4094 Strobe (74HC4094 x 2pcs)	



Pin No. 63-65
Refer to IC20, ic21, IC37.
SerizPara for Audio

74HC4094 x 3pcs

(Vcc = 5.0V)

pin No	Port Name Mode7	Vcc	I/O Volt	I/O	Use	Nor. STBY	Name	V Device	PortSetup		Note	Level Shift
									Act.	Init		
67	P12-6	P2	+3.3V	I/O	O	I	Y_OSD	3.3-5.0V	H	L	Y/C_OSD_IC_Bypass (NJM2595)	
68	P12-5	P2	+3.3V	I/O	O	I	CVBS_OSD	3.3-5.0V	H	L	CVBS_OSD_IC_Bypass (NJM2595)	
69	P4-7/_CS0/_A23	P2	+3.3V	I/O	O	I	_CE_OSD	5.0V	L	H	Video Circuit (LC74782)	○
70	P4-6/_CS1/A22	P2	+3.3V	I/O	I	I	TV_AUTO	5.0V	-	-	TV Video Detect	○
71	P4-5/_CS2/A21	P2	+3.3V	I/O	O	I	COMP_MUTE	3.3-5.0V			Component Video Monitor Mute (NJM2586)	
72	P4-4/_CS3/A20	P2	+3.3V	I/O	O	I	V_CONV_SEL	3.3-5.0V			Component Video Monitor Select (NJM2586)	
73	P4-3/A19	P2	+3.3V	I/O	O	I	CP_SEL3	3.3-5.0V			Component Video Input Select 3 (NJM2584_3/3)	
74	Vcc2	P2Vcc	+3.3V	I	YES	I	VCC2	-	-	-	+3.3V'	
75	P4-2/A18	P2	+3.3V	I/O	O	I	CP_SEL2	3.3-5.0V			Component Video Input Select 2 (NJM2584_2/3)	
76	Vss	Vss		I	-	I	VSS	-	-	-	GND	
77	P4-1/A17	P2	+3.3V	I/O	O	I	CP_SEL1	3.3-5.0V			Component Video Input Select 1 (NJM2584 1/3)	
78	P4-0/A16	P2	+3.3V	I/O	O	I	CPU_RST	3.3-5.0V	L	H	HDMI CPU Reset (H8/36087)	
79	P3-7/A15(/D15)	P2	+3.3V	I/O	O	I	CPU_NMI	3.3-5.0V			HDMI CPU Write Mode (H8/36087)	
80	P3-6/A14(/D14)	P2	+3.3V	I/O	O	I	CLK_SW_1	3.3-5.0V	-	L	_DIR/Option Audio Clock Select, L:DIR, H:opt (74VHC157)	
81	P3-5/A13(/D13)	P2	+3.3V	I/O	O	I	SW_VIDEO4	3.3V	-	L	Digital Video Signal Switch to SCALER L:IP_Conv, H:V_Dec (TC74VCX541FT)	
82	P3-4/A12(/D12)	P2	+3.3V	I/O	O	I	RESET_SC	3.3V	-	L	Reset for Video SCALER	
83	P3-3/A11(/D11)	P2	+3.3V	I/O	I	I	DEC_INT	3.3V	-	-	Video Decoder Interrupt (ADV7401)	
84	P3-2/A10(/D10)	P2	+3.3V	I/O	I	I	SEL-	5.0V	L	H	Front Select Knob Encoder -	○
85	P3-1/A9(/D9)	P2	+3.3V	I/O	I	I	SEL+	5.0V	L	H	Front Select Knob Encoder +	○
86	P12-4	P2	+3.3V	I/O	I	I	VOL-	5.0V	L	H	Front Volume Knob Encoder -	○
87	P12-3/_CTS6/_RTS6	P2	+3.3V	I/O	I	I	VOL+	5.0V	L	H	Front Volume Knob Encoder +	○

IC17 : M3087BFK BGP

pin No	Port Name Mode7	Vcc	I/O Volt	I/O	Use	Nor. STBY	Name	V Device	PortSetup		Note	Level Shift
									Act.	Init		
88	P12-2/RxD6	P2	+3.3V	I/O	SI	I	D_TUNER_TXD	3.3V	-	H	UART for XM Module	
89	P12-1/CLK6	P2	+3.3V	I/O	O	I	_RSTFL	5.0V	L	L	Front FL Driver Reset (NJU3430)	○
90	P12-0/TxD6	P2	+3.3V	I/O	SO	I	D_TUNER_RXD	3.3V	-	H	UART for XM Module	
91	Vcc2	P2Vcc	+3.3V	I	YES	I	VCC2	-	-	-	+3.3V'	
92	P3-0/A8(/D8)	P2	+3.3V	I/O	O	I	_CEFL	5.0V	L	L	Front FL Driver Chip Serelect (NJU3430)	○
93	Vss	Vss		I	-	I	VSS	-	-	-	GND	
94	P2-7/A7(/D7)/AN2-7	P2	+3.3V	I/O	O	O	_STBY_LED	5.0V	L	H	Stanby LED On	
95	P2-6/A6(/D6)/AN2-6	P2	+3.3V	I/O	O	I	_RSFL	5.0V	L	L	Front FL Driver Register Selection (NJU3430)	○
96	P2-5/A5(/D5)/AN2-5	P2	+3.3V	I/O	I	I	MIC_DETECT	5.0V	L	H	MIC Jack Detection for MRAC	○
97	P2-4/A4(/D4)/AN2-4	P2	+3.3V	I/O	I	I	SPKC_SW	(3.3-)5.0V	L	-	Speaker C Switch (Slide SW)	○
98	P2-3/A3(/D3)/AN2-3	P2	+3.3V	I/O	O	I	HP_ON	(3.3-)5.0V	H	L	HEAD PHONE On	○
99	P2-2/A2(/D2)/AN2-2	P2	+3.3V	I/O	I	I	_HP_DET	5.0V	L	H	HEAD PHONE JACK Detect	○
100	P2-1/A2(/D2)/AN2-1	P2	+3.3V	I/O	O	I	S2P_ENABLE	3.3-5.0V	-	L	4094 Output(Disable 4094 before strobe) (74HC4094 x 2pcs)	
101	P2-0/A2(/D2)/AN2-0	P2	+3.3V	I/O	O	I	MCP_SEL5	3.3-5.0V			Multi Component SEL5	
102	P1-7/D15/_INT5	P2	+3.3V	I/O	INT	I	HDMI_MUTE	3.3V	-	L	HDMI_MUTE (Sii9033)	
103	P1-6/D14/_INT4	P2	+3.3V	I/O	INT	I	XM_IRQ	3.3V	L	H	XM Error Detect (XM Module)	
104	P1-5/D13/_INT3	P2	+3.3V	I/O	INT	I	RERR	3.3V	H	-	DIR Error (LC89057W)	
105	P1-4/D12	P2	+3.3V	I/O	I	I	RDS_DIN	5.0V	-	L	Tuner RDS Data In (Tuner Pack)	
106	P1-3/D11	P2	+3.3V	I/O	O	O	KILLIR	5.0V	H	L	Kill to IR Input Signal	
107	P1-2/D10	P2	+3.3V	I/O	I	I	_OVFL	3.3-5.0V	-	-	ADC Overflow for Peak Indicator (CS5361)	
108	P1-1/D9	P2	+3.3V	I/O	O	I	_TI_RST	3.3V	L	H	Reset for TI DSP (DA708)	
109	P1-0/D8	P2	+3.3V	I/O	O	I	_SPIO_SCS	3.3V	L	H	Chip Select for TI DSP (DA708)	
110	P0-7/D7/AN0-7	P2	+3.3V	I/O	I	I	SPIO_ENA	3.3V	L	H	Communication Enable from TI DSP (DA708)	
111	P0-6/D6/AN0-6	P2	+3.3V	I/O	O	I	CLK_SW_0	3.3-5.0V	-	L	_DIR/HDMI Audio Clock Select, L:DIR, H:HDMI (74VHC157)	
112	P0-5/D5/AN0-5	P2	+3.3V	I/O	O	I	CLK_SW_2	3.3-5.0V	-	L	PCM/DSD DAC Audio Input Select, L:PCM, H:DSD (74VHC157)	
113	P0-4/D4/AN0-4	P2	+3.3V	I/O	O	I	_CEDIR	3.3-5.0V	L	L	DIR Chip Enable (LC89057W)	
114	P11-4	P2	+3.3V	I/O	O	I	_DIR_RST	3.3-5.0V	L	L	DIR Reset (LC89057W)	
115	P11-3/INPC1-3/OUTC1-3	P2	+3.3V	I/O	I	I	XSTATE	3.3V	L	H	DIR CKST (LC89057W)	
116	P11-2/INPC1-2/OUTC1-2/ISRxD1	P2	+3.3V	I/O	O	O	IICCLK	3.3V	-	L	I2C Clock for E2PROM (AT24C128)	
117	P11-1/INPC1-1/OUTC1-1/SCLK1	P2	+3.3V	I/O	I/O	I/O	IICDATA	3.3V	-	L	I2C Data for E2PROM (AT24C128)	
118	P11-0/INPC1-0/OUTC1-0/ISTxD1	P2	+3.3V	I/O	O	I	XM_CMD	3.3V	H	L	DTIC Mode Select (XM Module)	
119	P0-3/D3/AN0-3	P2	+3.3V	I/O	O	I	XM_RST	3.3V	L	L	Reset for XM DTIC (XM Module)	
120	P0-2/D2/AN0-2	P2	+3.3V	I/O	O	I	XM_MUTE	3.3-5.0V	H	H	Mute On for XM Module	
121	P0-1/D1/AN0-1	P2	+3.3V	I/O	O	I	_XM_DAC_RST	3.3V	L	L	DAC Reset for XM Module (CS4392)	
122	P0-0/D0/AN0-0	P2	+3.3V	I/O	O		XM_ON	3.3V	H	L	Control Power to XM/DT Bus (XM Module)	
123	P15-7/AN15-7/_CTS6/_RTS6	P1	+5V	I/O	O	I	AFDATA	5.0V	-	L	Analog Switch Data (TC94A46FG/TC9274N)	
124	P15-6/AN15-6/_CLK6	P1	+5V	I/O	O	I	AFCLK	5.0V	-	L	Analog Switch Clock (TC94A46FG/TC9274N)	

IC17 : M3087BFKBGP

pin No	Port Name Mode7	Vcc	I/O Volt	I/O	Use	Nor. STBY	Name	V Device	PortSetup		Note	Level Shift
									Act.	Init.		
125	P15-5/AN15-5/RxD6	P1	+5V	I/O	O	I	CE_TCA	5.0V	H	L	Analog Switch (TC94A46FG/TC9274N)	
126	P15-4/AN15-4/TxD6	P1	+5V	I/O	O	I	ILLMINATION_ON_OFF	5.0V	H	L	FRONT ILLMINATION ON/OFF	
127	P15-3/AN15-3/_CTS5/_RTS5	P1	+5V	I/O	O	I	HDMI_LED	5.0V	H	L	HDMI LED ON	
128	P15-2/AN15-2/ISRxD0/RxD5	P1	+5V	I/O	SI	I	DIR_IN	3.3V	-	-	Serial Data from DIR (LC89057W)	○
129	P15-1/AN15-1/ISCLK0/CLK5	P1	+5V	I/O	SC	I	DIR_CLK	3.3-5.0V	-	-	Serial Clock Out for DIR (LC89057W)	
130	Vss	Vss		I	-	I	VSS	-	-	-	GND	
131	P15-0/AN15-0/ISRxD0/TxD5	P1	+5V	I/O	SO	I	DIR_OUT	3.3-5.0V	-	-	Serial Data for DIR (LC89057W)	
132	Vcc1	P1Vcc	+5V	I	YES	I	VCC1	-	-	-	+5V'	
133	P10-7/AN7/_K13/RTP3-3	P1	+5V	I/O	AD	AD	MODE2	-	-	-	CPU Mode 2	
134	P10-6/AN6/_K12/RTP3-2	P1	+5V	I/O	AD	AD	MODE1	-	-	-	CPU Mode 1	
135	P10-5/AN5/_K11/RTP3-1	P1	+5V	I/O	I	I	P_LINE_FAIL	-	-	-	Emergency Protection	
136	P10-4/AN4/_K10/RTP3-0	P1	+5V	I/O	O	I	_STANDBY	(3.3-)5.0V	L	L	Standby POWER	
137	P10-3/AN3/RTP1-3	P1	+5V	I/O	AD	AD	_5V DOWN	-	-	-	Detect 5V	
138	P10-2/AN2/RTP1-2	P1	+5V	I/O	AD	AD	KEY2	-	-	-	Front Botton Key 2	
139	P10-1/AN1/RTP1-1	P1	+5V	I/O	AD	AD	KEY1	-	-	-	Front Botton Key 1	
140	Avss	AVss		I	-	I	AVSS	-	-	-	GND	
141	P10-0/AN0/RTP1-0	P1	+5V	I/O	AD	AD	KEY0	-	-	-	Front Botton Key 0	
142	Vref	Vref	+5V	I	YES	I	VCC	-	-	-	+5V'	
143	Avcc	AvccVcc	+5V	I	YES	I	AVCC	-	-	-	+5V'	
144	P9-7/_ADTRG/RxD4/SCL4/STxD4	P1	+5V	I/O	O	I	DMP_CPU_IICCLK	3.3_5.0V	-	L	I2C CLK for DMP CPU	

IC51 : R5F21248SNFP [DMP CPU]

Pin No	Port Name	I/O	Use	STBY	Name	Port Setup		Note
						Act.	Init	
1	NC	NC	-	-	NC	-	-	
2	P3_5/SCL/SSCK	I/O	I	-	DMP_CPU_IICCLK	-	-	IIC Serial Clock Communication Clock line to Main CPU
3	P3_3/SSI	I/O	O	-	RS232C_SW3	H	L	Control to Firmware update L : RS232C Update (Normal) H : Network Update
4	P3_4/SDA/SCS	I/O	I/O	-	DMP_CPU_IIC_DATA	-	-	IIC data Communication Clock line to Main CPU
5	MODE	I	I	-	DMP_CPU_MODE	-	-	Mode terminal, when program is rewritten: L
6	P4_3/XCIN	I/O	I	-	DMP_CPU_READREQ	L	-	Reserve (IIC Request signal)
7	P4_4/XCOUT	I/O	I	-	NC	-	-	
8	~Reset	I	I	-	DMP_CPU_RESET	L	-	Reset input
9	XOUT/P4_7	O			20MHz	-	-	Clock frequency 20MHz
10	VSS				VSS	-	-	Grand level
11	P4_6/XIN	I			20MHz	-	-	Clock frequency 20MHz
12	VCC	VCC			VCC	-	-	+5V
13	P2_7/TRDIOD1	I/O	I	-	NC	-	-	
14	P2_6/TRDIOC1	I/O	I	-	NC	-	-	
15	P2_5/TRDIOB1	I/O	I	-	NC	-	-	
16	P2_4/TRDIOA1	I/O	I	-	NC	-	-	
17	P2_3/TRDIOD0	I/O	I	-	NC	-	-	
18	P2_2/TRDIOC0	I/O	I	-	NC	-	-	
19	P2_1/TRDIOB0	I/O	I	-	NC	-	-	
20	P2_0/TRDIOA0/ TCLK	I/O	I	-	NC	-	-	
21	P1_7/TRAIO/INT1	I/O	I	-	NC	-	-	
22	P1_6/CLK0	I/O	I	-	NC	-	-	
23	P1_5/ RXDO(TRAIO)	I	I	-	DMP_UART_RX	-	-	UART terminal for DMP communication
24	P1_4/TXDO	O	O	-	DMP_UART_TX	-	H	UART terminal for DMP communication
25	P1_3/KI3/AN11	I	I	-	DMP_PROTECT	H	-	DMP module power supply state confirmation Module inside power supply Short detection
26	NC			-	NC	-	-	
27	P4_5/INT0	I/O	I	-	NC	-	-	
28	P6_6/INT2/TXD1	O	O	-	DMP_CPU_TXD	-	H	Terminal UART-RX for program rewriting.
29	P6_7/INT3/RXD1	I	I	-	DMP_CPU_RXD	-	-	Terminal UART-RX for program rewriting.
30	P1_2/KI2/AN10	I/O	I	-	NC	-	-	
31	P1_1/KI1/AN9	I/O	I	-	NC	-	-	
32	P1_0/KI0/AN8	I/O	I	-	NC	-	-	
33	P3_1/TRB0	I/O	I	-	NC	-	-	
34	P3_0/TRA0	I/O	I	-	NC	-	-	
35	P6_5/CLK1	I/O	I	-	NC	-	-	
36	P6_4	I/O	I	-	NC	-	-	
37	P6_3	I/O	I	-	NC	-	-	
38	P0_7/AN0	I/O	I	-	NC	-	-	
39	NC			-	NC	-	-	
40	NC			-	NC	-	-	
41	P0_6/AN1	I/O	I	-	NC	-	-	
42	P0_5/AN2	I/O	I	-	NC	-	-	
43	P0_4/AN3	I/O	I	-	NC	-	-	
44	P4_2/VREF	I			VREF	-	-	A./D reference voltage
45	P6_0/TRE0	I/O	I	-	NC	-	-	
46	P6_2	I/O	I	-	NC	-	-	
47	P6_1	I/O	O	-	DMP_PON	H	L	DMP module power supply L : Stop H : Operation
48	P0_3/AN4	I/O	I	-	NC	-	-	
49	P0_2/AN5	I/O	I	-	NC	-	-	
50	P0_1/AN6	I/O	I	-	NC	-	-	
51	P0_0/AN7	I/O	I	-	NC	-	-	
52	P3_7/SSO	I/O	I	-	NC	-	-	

IC81 : HD64F36049HV

pin	port	I/O	use	STBY	Name	Port Setting		Note
						Act.	init	
1	PB6/AN6	I	I	-	SW0	-	-	to GND or Pull up selectable
2	PB7/AN7	I	I	-	SW1	-	-	to GND or Pull up selectable
3	Avcc	I	AVcc	-	-	-	-	A/D ref. V = +5V
4	X2	O	-	-	-	-	-	N.C
5	X1	I	-	-	-	-	-	N.C
6	Vcl	I	Vcl	-	-	-	-	
7	_RESET	I	_RES	-	_RST_HDMI_CPU	L	-	also use for JTAG
8	TEST	I	TEST	-	-	-	-	to Vss
9	Vss	I	Vss	-	-	-	-	To GND
10	OSC2	O	OSC2	-	20MHz	-	-	20MHz OSC
11	OSC1	I	OSC1	-	20MHz	-	-	20MHz OSC
12	Vcc	I	Vcc	-	-	-	-	+5V
13	_MNI	I	MNI	-	_MNI_HDMI_CPU	-	-	also use for JTAG
14	P87	I/O	-	-	JTAG	-	-	use for JTAG (Pull up)
15	P86	I/O	-	-	JTAG	-	-	use for JTAG (Pull up)
16	P85	I/O	-	-	JTAG	-	-	use for JTAG (Pull up)
17	P37	I/O	O	-	DEBUG_O7	-	L	to Virtual Connector Land
18	P36	I/O	O	-	DEBUG_O6	-	L	to Virtual Connector Land
19	P35	I/O	O	-	DEBUG_O5	-	L	to Virtual Connector Land
20	P34	I/O	O	-	DEBUG_O4	-	L	to Virtual Connector Land
21	P33	I/O	O	-	DEBUG_O3	-	L	to Virtual Connector Land
22	P32	I/O	O	-	DEBUG_O2	-	L	to Virtual Connector Land
23	P31	I/O	O	-	DEBUG_O1	-	L	to Virtual Connector Land
24	P30	I/O	O	-	DEBUG_O0	-	L	to Virtual Connector Land
25	P14/_IRQ0	I/O	I	-	INT_RX	L	-	HDMI Rx device Int.
26	P15/_IRQ1	I/O	I	-	INT_TX1	L	-	HDMI Tx device1 Int.
27	P16/_IRQ2	I/O	I	-	INT_TX2	L	-	HDMI Tx device2 Int.
28	P17/_IRQ3	I/O	I	-	_SCDT	L	-	SCDT
29	P57/SCL	I/O	SCL	-	CPU_SCL	L	H	Communication to Main CPU
30	P56/SDA	I/O	SDA	-	CPU_SDA	-	H	Communication to Main CPU
31	P55/_WKP5	I/O	O	-	SW_AUDIO_EN			AUDIO Enable/Through switch
32	P54/_WKP4	I/O	O	-	WP_CH4	L	H	Write Enable E2PROM4
33	P53/_WKP3	I/O	O	-	_RST_SW	L	H	HDMI Switch device Reset
34	P52/_WKP2	I/O	O	-	_RST_RX	L	H	HDMI Rx device Reset
35	P51/_WKP1	I/O	O	-	_RST_TX2	L	H	HDMI Tx device2 Reset
36	P50/_WKP0	I/O	O	-	_RST_TX1	L	H	HDMI Tx device1 Reset
37	P24	I/O	O	-	HDMI_SCL	L	H	I2C Line for HDMI Control
38	P23	I/O	I/O	-	HDMI_SDA	L	H	I2C Line for HDMI Control
39	P22/TXD	I/O	TXD	-	AUX_TxD	L	H	RS232C TxD for Host I/F
40	P21/RXD	I/O	RXD	-	AUX_RxD	L	H	RS232C RxD for Host I/F
41	P20/SCK3	I/O	O	-		-	L	N.C
42	P60/FTIOA0	I/O	O	-	SW_VIDEO1	L	H	Select Video Decoder
43	P61/FTIOB0	I/O	O	-	SW_VIDEO2	L	H	Select I/P Converter
44	P62/FTIOC0	I/O	FTIOC	-	CEC_IN	L	-	CEC input
45	P63/FTIOD0	I/O	FTIOD	-	CEC_OUT	L	H	CEC output
46	P64/FTIOA1	I/O	O	-	SW_5V1	H	L	+5V output for SINK1
47	P65/FTIOB1	I/O	O	-	SW_5V2	H	L	+5V output for SINK2
48	P66/FTIOC1	I/O	O	-	HPD_CH123	H	L	HPD Output for SRC1,2,3
49	P67/FTIOD1	I/O	O	-	HPD_CH4	H	L	HPD Output for SRC4
50	Vss	I	Vss	-	-	-	-	To GND
51	P80/FTCI	I/O	I	-	-	-	-	To GND
52	P81/FTIOA	I/O	I	-	-	-	-	To GND
53	P82/FTIOB	I/O	I	-	-	-	-	To GND
54	P83/FTIOC	I/O	I	-	-	-	-	To GND
55	P84/FTIOD	I/O	I	-	-	-	-	To GND
56	P10/TMOW	I/O	O	-	(reserved)	-	L	N.C
57	P11/PWM	I/O	O	-	(reserved)	-	L	N.C
58	P12	I/O	O	-	(reserved)	-	L	N.C

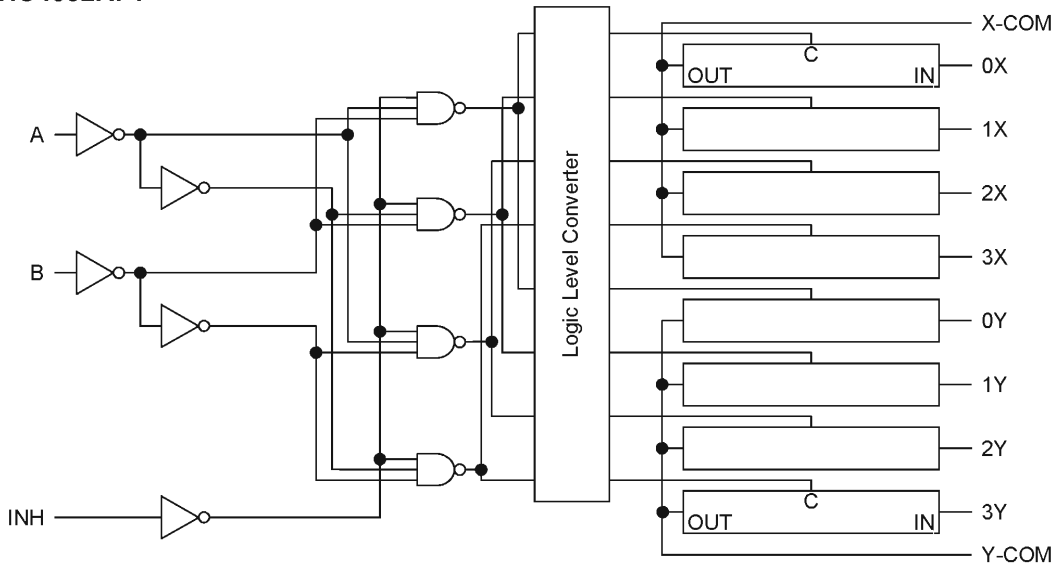
IC81 : HD64F36049HV

pin	port	I/O	use	STBY	Name	Port Setting		Note
						Act.	init	
59	P90/ SCK3_3	I/O	O	-	DEBUG_X0	-	L	N.C to Virtual Connector Land
60	P91/RXD_3	I/O	O	-	DEBUG_X1/RxD1	-	H	N.C to Virtual Connector Land
61	P92/TXD_3	I/O	O	-	DEBUG_X2/TxD1	-	H	N.C to Virtual Connector Land
62	P93	I/O	O	-	DEBUG_X3	-	L	N.C to Virtual Connector Land
63	P94	I/O	O	-	DEBUG_X4	-	L	N.C to Virtual Connector Land
64	P95	I/O	O	-	DEBUG_X5	-	L	N.C to Virtual Connector Land
65	P96	I/O	O	-	DEBUG_X6	-	L	N.C to Virtual Connector Land
66	P97	I/O	O	-	DEBUG_X7	-	L	N.C to Virtual Connector Land
67	P70/ SCK3_2	I/O	I	-	INT_SW		-	SiI9185 Int pin
68	P71/RXD_2	I/O	RxD	-	DEBUG_RxD0	L	H	RS232C RxD for Debug
69	P72/TXD_2	I/O	TxD	-	DEBUG_TxD0	L	H	RS232C TxD for Debug
70	P74/TMRIV	I/O	I	-	-	-	-	To GND
71	P75/TMCIV	I/O	I	-	-	-	-	To GND
72	P76/TMOV	I/O	I	-	-	-	-	To GND
73	P77	I/O	I	-	-	-	-	To GND
74	AVss	I	AVss	-	-	-	-	GND
75	PB0/AN0	I	I	-	I_5V_CH1	-	-	5V Input of SOURCE1
76	PB1/AN1	I	I	-	I_5V_CH2	-	-	5V Input of SOURCE2
77	PB2/AN2	I	I	-	I_5V_CH3	-	-	5V Input of SOURCE3
78	PB3/AN3	I	I	-	I_5V_CH4	-	-	5V Input of SOURCE4
79	PB4/AN4	I	I	-	I_HPDC_H1	-	-	HPD Input of SINK1
80	PB5/AN5	I	I	-	I_HPDC_H2	-	-	HDP Input of SINK2

IC91 : R5F21246SNFP [HD RADIO CPU] (/U only)

PIN No	PORT NAME	I/O	USE	STBY	NAME	Port Setup		Note
						Act.	Init	
1	NC	NC	-	-	NC	-	-	
2	P35/SCL/SSCK	I/O	O	-	RDS CLK	-	H	Interface to Main CPU (80pin / RDS CLK)
3	P33/SSI	I/O	I	-	No Use	-	L	
4	P34/SDA/SCS	I/O	O	-	No Use	-	L	
5	MODE	I	I	-	MODE	L	H	Interface to Main CPU (25pin / Write mode)
6	P43/XCIN	I/O	I	-	No Use	-	L	
7	P44/XCOUT	I/O	O	-	No Use	-	L	
8	RESET	I	I	-	RESET	L	H	Interface to Main CPU (24pin / Reset)
9	XOUT/P47	I/O	O	-	XOUT	-	-	16MHz X'tal
10	VSS/AVSS	I	-	-	VSS	-	L	GND
11	P46/XIN	I	I	-	XIN	-	-	16MHz X'tal
12	VCC/AVCC	I	I	-	VCC	-	H	+5V
13	P27/YRDIOD1	I/O	I	-	No Use	-	L	
14	P26/TRDIOC1	I/O	I	-	No Use	-	L	
15	P25/TRDIOB1	I/O	I	-	No Use	-	L	
16	P24/TRDIOA1	I/O	I	-	No Use	-	L	
17	P23/TRDIOD0	I/O	I	-	No Use	-	L	
18	P22/TRDIOC0	I/O	I	-	No Use	-	L	
19	P21/TRDIOB0	I/O	I	-	No Use	-	L	
20	P20/TRDIOA0	I/O	I	-	No Use	-	L	
21	P17/TRAIO/INT1	I/O	I	-	CE	L	L	Interface to Main CPU (27pin / CE)
22	P16/CLK0	I/O	O	-	No Use	-	L	Reserve
23	P15/RXD0	I/O	I	-	HDRM-TX	-	H	HD Radio Module TX
24	P14/TXD0	I/O	O	-	HDRM-RX	-	H	HD Radio Module RX
25	P13/KI3/AN11	I/O	O	-	HDRM-RESET	L	H	HD Radio Module Reset
26	NC	NC	-	-	NC	-	-	
27	P45/INT0	I/O	O	-	No Use	-	L	Reserve
28	P66/INT2/TXD1	I/O	O	-	DI	-	L	Interface to Main CPU (32pin / DI)
29	P67/INT3/RXD1	I/O	I	-	DO	-	L	Interface to Main CPU (33pin / DO)
30	P12/KI2/AN10	I/O	O	-	Test Port	-	H	For software development
31	P11/KI1	I/O	O	-	Test Port	-	H	For software development
32	P10/KI0/AN8	I/O	O	-	Test Port	-	H	For software development
33	P31/TRBO	I/O	O	-	Test Port	-	H	For software development
34	P30/TRAO	I/O	O	-	Test Port	-	H	For software development
35	P65/CLK1	I/O	I	-	CLK	-	L	Interface to Main CPU (31pin / CLK)
36	P64	I/O	I	-	No Use	-	L	
37	P63	I/O	O	-	Test Port	-	H	For software development
38	P07/AN0	I/O	I	-	No Use	-	L	
39	NC	NC	-	-	NC	-	-	
40	NC	NC	-	-	NC	-	-	
41	P06/AN1	I/O	I	-	No Use	-	L	
42	P05/AN2	I/O	I	-	No Use	-	L	
43	P04/AN3	I/O	I	-	No Use	-	L	
44	P42/VREF	I	I	-	VREF	-	H	+5V
45	P60/TREO	I/O	I	-	No Use	-	L	
46	P62	I/O	I	-	No Use	-	L	
47	P61	I/O	I	-	No Use	-	L	
48	P03/AN4	I/O	I	-	No Use	-	L	
49	P02/AN5	I/O	I	-	No Use	-	L	
50	P01/AN6	I/O	I	-	No Use	-	L	
51	P00/AN7	I/O	I	-	No Use	-	L	
52	P37/SSO	I/O	O	-	RDS DATA	-	H	Interface to Main CPU (33pin / RDS Data)

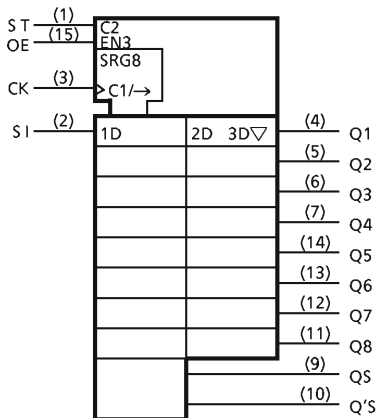
IC13 : TC7MZ4052FK
 IC19 : TC74HC4052AFT



Control Inputs				"ON" Channel		
Inhibit	C*	B	A	MZ4051FK	MZ4052FK	MZ4053FK
L	L	L	L	0	0X, 0Y	0X, 0Y, 0Z
L	L	L	H	1	1X, 1Y	1X, 0Y, 0Z
L	L	H	L	2	2X, 2Y	0X, 1Y, 0Z
L	L	H	H	3	3X, 3Y	1X, 1Y, 0Z
L	H	L	L	4	—	0X, 0Y, 1Z
L	H	L	H	5	—	1X, 0Y, 1Z
L	H	H	L	6	—	0X, 1Y, 1Z
L	H	H	H	7	—	1X, 1Y, 1Z
H	X	X	X	None	None	None

X: Don't care, *: Except MZ4052FK

IC20 : TC74HC4094AP
 IC21 : TC74HC4094AP
 IC37 : TC74HC4094AP
 IC79 : TC74HC4094AP
 IC80 : TC74HC4094AP
 IC83 : TC74HC4094AP



CK	OE	ST	SI	PARA. OUT		SERI. OUT	
				Q1	Qn	Qs	Q's
	H	H	L	L	Qn - 1	Q7	NC
	H	H	H	H	Qn - 1	Q7	NC
	H	L	*	NC	NC	Q7	NC
	L	*	*	Z	Z	Q7	NC
	H	*	*	NC	NC	NC	Qs
	L	*	*	Z	Z	NC	Qs

X : DON'T CARE
 NC : NO CHANGE
 Z : HIGH IMPEDANCE

IC20 : TC74HC4094AP
 IC21 : TC74HC4094AP
 IC37 : TC74HC4094AP
 IC79 : TC74HC4094AP
 IC80 : TC74HC4094AP
 IC83 : TC74HC4094AP

IC20

Port Name	Use	STBY	Name	V		PortSetup		Note
				Device	Act.	Int		
Q1	O	I	MIC_ENABLE	3.3-5.0V	H	L		MIC Enable for MRAC (Relay)
Q2	O	I	SPKC_CONT	5.0V	H	L		Speaker C Relay Control (Relay)
Q3	O	I	_PUREDIRECT_LED	5.0V	L	H		PURE DIRECT LED On
Q4	O	I	SBA_ON	3.3-5.0V	H	L		Surr-Back SPK A SELECT
Q5	O	I	SBB_ON	3.3-5.0V	H	L		Surr-Back SPK B SELECT
Q6	O	I	FLRA_ON	3.3-5.0V	H	L		SPK A SELECT
Q7	O	I	FLRB_ON	3.3-5.0V	H	L		SPK B SELECT
Q8	O	I	SURR_ON	3.3-5.0V	H	L		SURR/CNT SPK ON

IC21

Port Name	Use	STBY	Name	V		PortSetup		Note
				Device	Act.	Int		
Q1	O	I	DIG_SEL_A	3.3V(-5.0V)	-	L		DIGITAL INPUT SEL-A FOR DIR (74HC151 or 74VHC153)
Q2	O	I	DIG_SEL_B	3.3V(-5.0V)	-	L		DIGITAL INPUT SEL-B FOR DIR (74HC151 or 74VHC153)
Q3	O	I	Multi_A Mono/Stereo	3.3-5.0V	H	L		Multi Room Out A Mono/Stereo SELECT Mono :H Stereo :L
Q4	O	I	Multi_B Mono/Stereo	3.3-5.0V	H	L		Multi Room Out B Mono/Stereo SELECT Mono :H Stereo :L
Q5	O	I	DFS	3.3V	H	L		ADC Mode Selection 0 (CS5361)
Q6	O	I	_ATT	5.0V	L	H		Analog Audio (Lt/Rt) Input ATT
Q7	O	I	_RSTADC	3.3V	L	H		ADC Reset (CS5361)
Q8	O	I	D_A	3.3-5.0V	-	L		DIR or _ADC sel (Error Unsel) (74VHC08 to ERMUTE)

IC37

Port Name	Use	STBY	Name	V		PortSetup		Note
				Device	Act.	Int		
Q1	O	I	XM_SIRIUSE_SW	3.3-5.0V	H	L		XM: Low, SIRIUSE: High 2007-6-27
Q2	O	I	SIRIUSE_RESET	5.0V	L	H		SIRIUSE RESET (Power enable) 2007-6-27
Q3	O	I						
Q4	O	I						
Q5	O	I						
Q6	O	I						
Q7	O	I						
Q8	O	I						

IC80

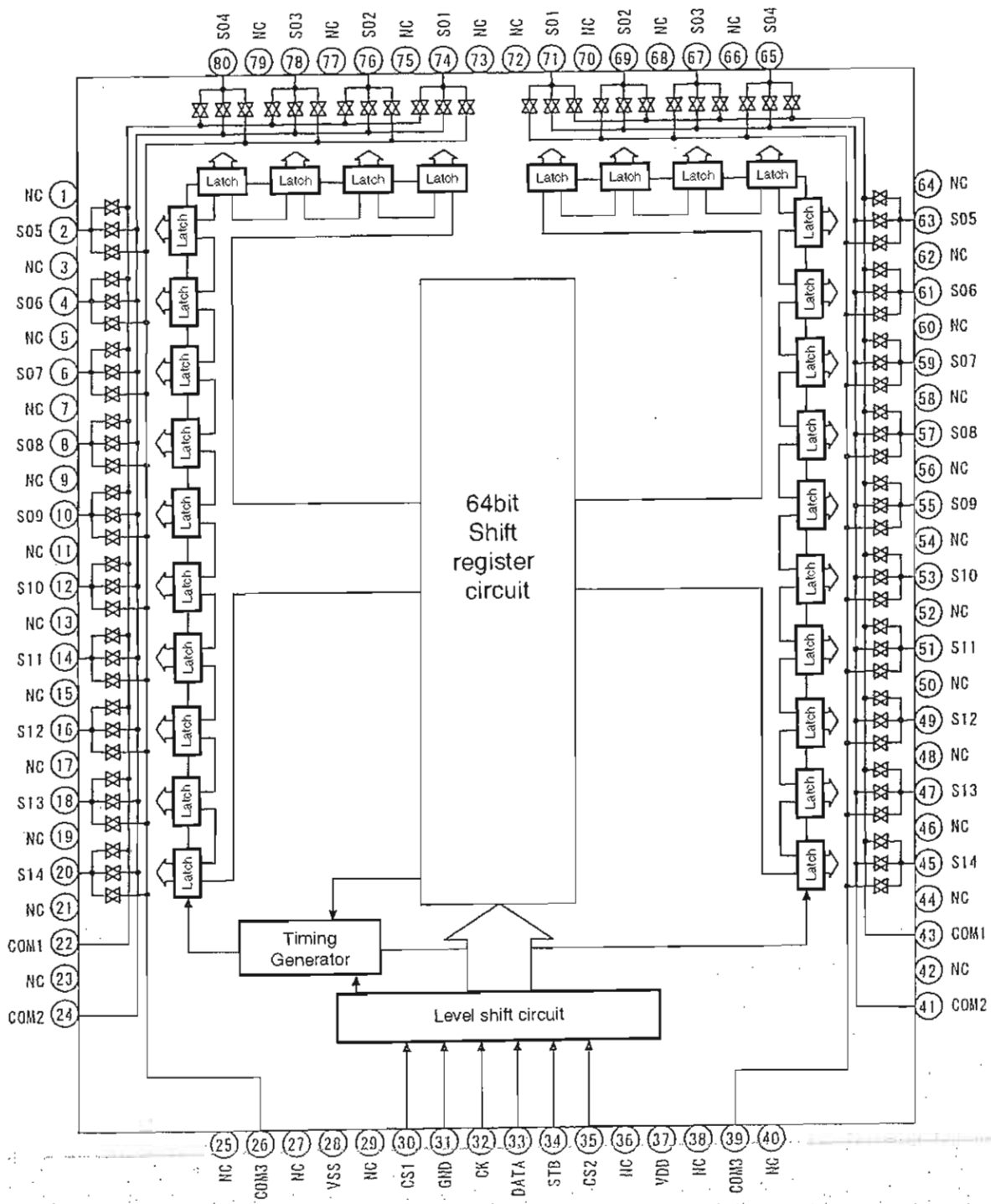
Port Name	Use	STBY	Name	V		PortSetup		Note
				Device	Act.	Int		
Q1	O	I	MCP_MUTE	5.0V	H	-		Multi Component MUTE
Q2	O	I	SE_VIDEO03	5.0V	H	-		CVBS Input Select 3 (VCR/DVD/TV/AUX) (NJM2595)
Q3	O	I	SE_VIDEO02	5.0V	H	-		CVBS Input Select 2 (VCR/DVD/TV/AUX) (NJM2595)
Q4	O	I	SE_VIDEO01	5.0V	H	-		CVBS Input Select 1 (VCR/DVD/TV/AUX) (NJM2595)
Q5	O	I	OSD_CON05	5.0V	H	-		
Q6	O	I	SE_VIDEO06	5.0V	H	-		CVBS Multi Monitor Select (Through/OSD) (NJM2244)
Q7	O	I	SE_VIDEO05	5.0V	H	-		CVBS Multi Monitor Select (Through/OSD) (NJM2244)
Q8	O	I	SE_VIDEO04	5.0V	H	-		CVBS Input Select 4 (VCR/DVD/TV/AUX) (NJM2595)

IC79

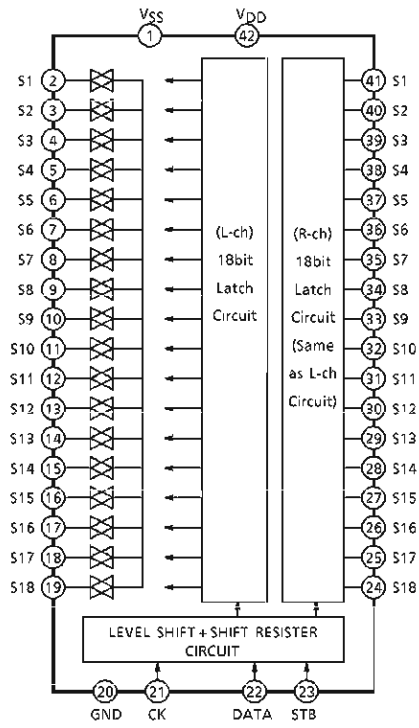
Port Name	Use	STBY	Name	V		PortSetup		Note
				Device	Act.	Int		
Q1	O	I	OSD_CON01	5.0V	H	-		CVBS & Y/C Monitor Select (Through/Converted) (NJM2244)
Q2	O	I	OSD_CON02	5.0V	H	-		OSD Sync Input Select (MJM2535/NJM2285)
Q3	O	I	OSD_CON03	5.0V	H	-		VIDEO DEC Input Select (MJM2285)
Q4	O	I	MCP_SEL4	5.0V	H	-		Multi Component SEL4
Q5	O	I	SEL_V02	5.0V	H	-		CVBS & Y/C Input Select 2 (VCR/DVD/TV/AUX) (NJM2595)
Q6	O	I	SEL_V01	5.0V	H	-		CVBS & Y/C Input Select 1 (VCR/DVD/TV/AUX) (NJM2595)
Q7	O	I	SEL_V03	5.0V	H	-		CVBS & Y/C Input Select 3 (VCR/DVD/TV/AUX) (NJM2595)
Q8	O	I	SEL_V04	5.0V	H	-		CVBS & Y/C Input Select 4 (VCR/DVD/TV/AUX) (NJM2595)

IC83

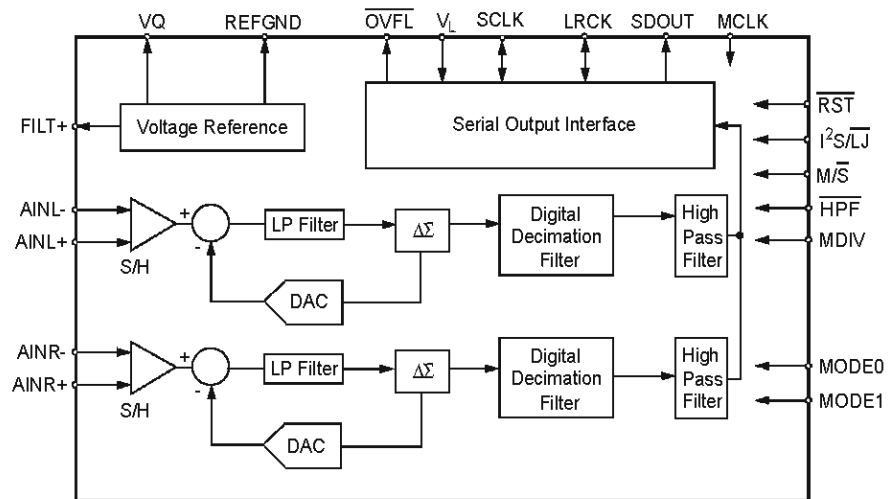
Port Name	Use	STBY	Name	V		PortSetup		Note
				Device	Act.	Int		
Q1	O	I	MCP_SEL1	5.0V	H	-		Multi Component SEL1
Q2	O	I	Y/C_SEL	5.0V	H	-		Y/C Monitor Select (Through/Converted) (NJM2244)
Q3	O	I	CVBS_SEL	5.0V	H	-		CVBS Monitor Select (Through/Converted) (NJM2244)
Q4	O	I	OSD_SEL	5.0V	H	-		SYNC SCAN Select
Q5	O	I	RST_DEC	5.0V	H	H		VIDEO DEC Reset
Q6	O	I	RST_ENC	5.0V	H	H		VIDEO ENC Reset
Q7	O	I	MCP_SEL2	5.0V	H	-		Multi Component SEL2
Q8	O	I	MCP_SEL3	5.0V	H	-		Multi Component SEL3



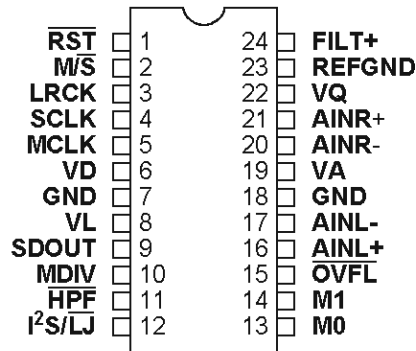
IC22 : TC9274CNG



IC27 : CS5361-KS



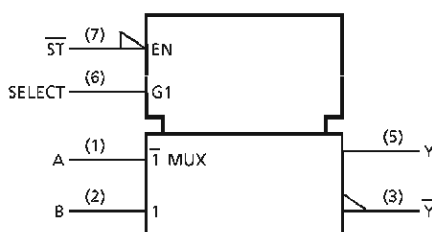
IC27 : CS5361-KS



Pin Name	#	Pin Description
$\overline{\text{RST}}$	1	Reset (<i>Input</i>) - The device enters a low power mode when low.
$\overline{\text{M/S}}$	2	Master/Slave Mode (<i>Input</i>) - Selects operation as either clock master or slave.
LRCK	3	Left Right Clock (<i>Input/Output</i>) - Determines which channel, Left or Right, is currently active on the serial audio data line.
SCLK	4	Serial Clock (<i>Input/Output</i>) - Serial clock for the serial audio interface.
MCLK	5	Master Clock (<i>Input</i>) - Clock source for the delta-sigma modulator and digital filters.
VD	6	Digital Power (<i>Input</i>) - Positive power supply for the digital section.
GND	7,18	Ground (<i>Input</i>) - Ground reference. Must be connected to analog ground.
VL	8	Logic Power (<i>Input</i>) - Positive power for the digital input/output.
SDOUT	9	Serial Audio Data Output (<i>Output</i>) - Output for two's complement serial audio data.
MDIV	10	MCLK Divider (<i>Input</i>) - Enables a master clock divide by two function.
HPF	11	High-pass Filter Enable (<i>Input</i>) - Enables the Digital High-Pass Filter.
$\overline{\text{I}^2\text{S/LJ}}$	12	Serial Audio Interface Format Select (<i>Input</i>) -Selects either the left-justified or $\overline{\text{I}^2\text{S}}$ format for the SAI.
M0 M1	13, 14	Mode Selection (<i>Input</i>) - Determines the operational mode of the device.
OVFL	15	Overflow (<i>Output, open drain</i>) - Detects an overflow condition on both left and right channels.
AINL+ AINL-	16, 17	Differential Left Channel Analog Input (<i>Input</i>) - Signals are presented differentially to the delta-sigma modulators via the AINL+/- pins.
VA	19	Analog Power (<i>Input</i>) - Positive power supply for the analog section.
AINR- AINR+	20, 21	Differential Right Channel Analog Input (<i>Input</i>) -Signals are presented differentially to the delta-sigma modulators via the AINR+/- pins.
VQ	22	Quiescent Voltage (<i>Output</i>) - Filter connection for the internal quiescent reference voltage.
REF_GND	23	Reference Ground (<i>Input</i>) - Ground reference for the internal sampling circuits.
FILT+	24	Positive Voltage Reference (<i>Output</i>) - Positive reference voltage for the internal sampling circuits.

IC31 : TC7WH157FU

LOGIC DIAGRAM

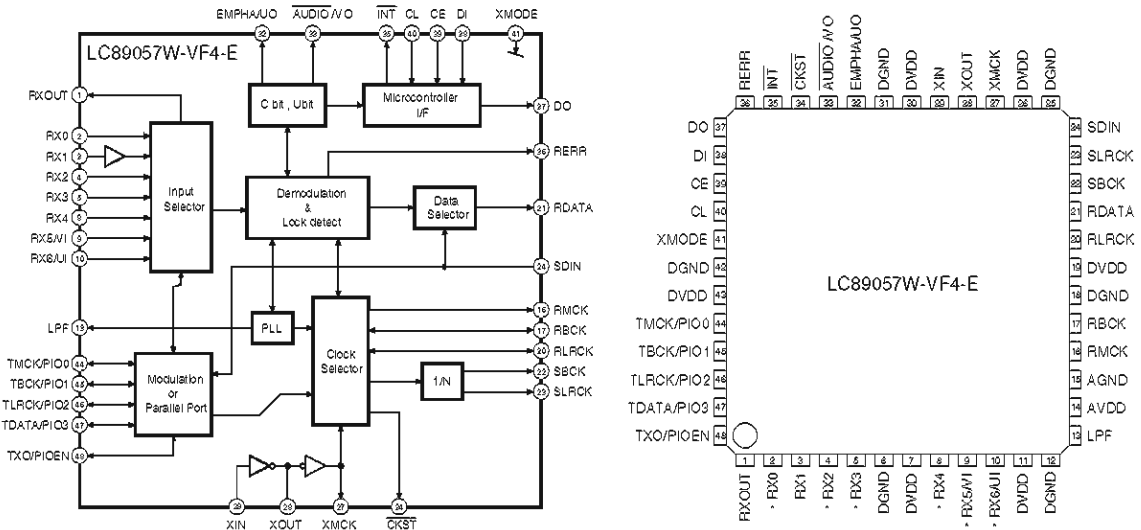


TRUTH TABLE

INPUTS				OUTPUTS	
$\overline{\text{ST}}$	SELECT	A	B	Y	$\overline{\text{Y}}$
H	x	x	x	L	H
L	L	L	x	L	H
L	L	H	x	H	L
L	H	x	L	L	H
L	H	x	H	H	L

x : Don't care

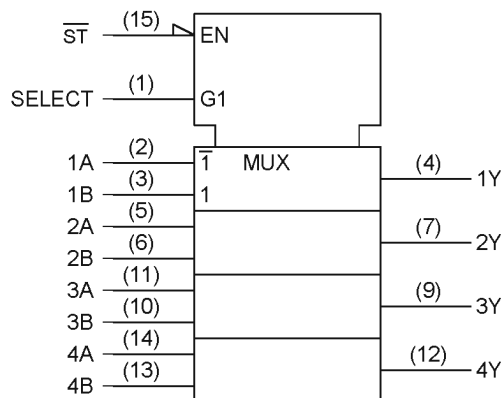
IC29 : LC89057WVF4E



LC89057W

No.	Port name	I/O	Description
1	RXOUT	O	Data Output
2	RX0	I	Digital data Input (TTL)
3	RX1	I	Digital data Input (Coaxial)
4	RX2	I	Digital data Input (TTL)
5	RX3	I	Digital data Input (TTL)
6	DGND		Digital GND
7	DVDD		Digital VDD
8	RX4	I	Digital data Input (TTL)
9	RX5/VI	I	Digital data Input (TTL)
10	RX6/UI	I	Digital data Input (TTL)
11	DVDD		Digital GND for PLL
12	DGND		Digital VDD for PLL
13	LPF	O	Loop filter for PLL
14	AVDD		Analog VDD for PLL
15	AGND		Analog GND for PLL
16	RMCK	O	System clock Output for R (256fs, 512fs, XIN, VCO)
17	RBCK	O/I	Bit clock Output for R (64fs)
18	DGND		Digital GND
19	DVDD		Digital VDD
20	RLRCK	O/I	LR clock Input/Output for R
21	RDATA	O	Serial Audio data Input
22	SBCK	O	Bit clock Output for S (32fs, 64fs, 128fs)
23	SLRCK	O	LR clock Output for S (fs/2, fs, 2fs)
24	SDIN	I	Serial Audio data Input
25	DGND		Digital GND
26	DVDD		Digital VDD
27	XMCK	O	Oscillation amplifier
28	XOUT	O	XOUT
29	XIN	I	XIN or External clock Input (24.576MHz or 12.288MHz)
30	DVDD		Digital VDD
31	DGND		Digital GND
32	EMPHA/UO	I/O	Emphasis Information / U data Output / Set for chip address
33	AUDIO/I/O	I/O	Detected non-PCM / V flag Output / Set for chip address
34	CKST	I/O	Clock timing Output / Switch to master or slave for demodulation
35	INT	I/O	Interrupt Output / Switch to Modulation or general-purpose I/O
36	RERR	O	Error Output (PLL lock, data error)
37	DO	O	IF, Read out data Output
38	DI	I	IF, Write data Input
39	CE	I	IF, Chip enable Input
40	CL	I	IF, Clock Input
41	XMODE	I	System reset Input
42	DGND		Digital GND
43	DVDD		Digital VDD
44	TMCK/PIO0	I/O	256fs system-clock Input for modulation / General-purpose I/O input/output
45	TBCK/PIO1	I/O	64fs bit-clock Input for modulation / General-purpose I/O input/output
46	TLRCK/PIO2	I/O	Fs clock Input for modulation / General-purpose I/O input/output
47	TDATA/PIO3	I/O	Serial audio data for modulation / General-purpose I/O input/output
48	TXO/PIOEN	O/I	Modulation data Output / General-purpose I/O enable input

IC32 : TC74VHC157FT



Inputs				Outputs
\overline{ST}	SELECT	A	B	Y
H	X	X	X	L
L	L	L	X	L
L	L	H	X	H
L	H	X	L	L
L	H	X	H	H

X: Don't care

IC33 : TMS320DA788

1 Second Generation Aureus™ DSP

1.1 Features

- DA788: 32-/64-Bit 250-MHz Floating-Point DSP
- Upgrades to C67x+ CPU From DA6xx Family:
 - 2X CPU Registers [64 General-Purpose]
 - New Audio-Specific Instructions
 - Compatible With the DA6xx C67x CPU
- Enhanced Memory System
 - 256K-Byte Unified Program/Data RAM
 - 768K-Byte Unified Program/Data ROM
 - Single-Cycle Data Access From CPU
 - Large Program Cache (32K-Byte) Supports RAM, ROM, and External Memory
- External Memory Interface (EMIF) Supports:
 - 100-MHz SDRAM (16-Bit)
 - Async Flash/SRAM (8- or 16-Bit)
- Enhanced I/O System
 - High-Performance Crossbar Switch
 - Dedicated McASP DMA Bus
 - Deterministic I/O Performance
- dMAX Dual Data Movement Accelerator:
 - Memory-to-Memory Transfers
 - Memory-to-Peripheral Transfers
 - Packing/Unpacking Delay Data
 - Circular Addressing
 - Non-Sequential Addressing for Reverb
- Three Multichannel Audio Serial Ports
 - Five Clock Zones and 16 Serial Data Pins
 - Supports TDM, I2S, and Similar Formats
 - DIT Only (McASP2)
- Two SPI Ports With 3-, 4-, and 5-Pin Options
- Two Inter-Integrated Circuit (I2C) Ports
- Real-Time Interrupt Counter/Watchdog
- Oscillator- and Software-Controlled PLL
- Commercial or Extended Temperature
- 144-Pin, 0.5-mm, PowerPAD™ Thin Quad Flatpack (TQFP) [RFP Suffix]
- Security Features Available



- Applications
 - A/V and DVD Receiver
 - Multizone A/V Receiver
 - HDD Jukebox
 - Navigation Systems
 - High-Speed Encode With Simultaneous Multichannel Decode
- Software Support
 - Dolby® Digital, Dolby® Digital EX, Dolby® Pro Logic® IIx, Dolby® Headphone, Dolby® Virtual Surround
 - DTS® 5.1, DTS-ES™ 6.1, DTS Neo:6™, DTS 96/24™, DTS-ES 96/24™
 - MPEG-2 AAC LC Decode
 - THX® Select, THX® Ultra 2
 - MP3 Encode, MP3 Decode
 - WMA9 Encode, WMA9 Decode, WMA9 Pro Decode
 - HDCD® Decode
 - ATRAC3plus® Encode, ATRAC3plus® Decode
 - Audyssey MultEQ XT®, MultEQ®, PrevEQ®
 - SRS® Circle Surround™ II (CS II)
 - Waves' MaxxBass® Technology
 - TI Effects Library
 - TI DSD-to-PCM Decode
 - TI Filter Library
 - TI Performance Audio Framework (PA/F)
 - TI DSP/BIOS™
 - Chip Support Library and DSP Library

Table 2-2. Terminal Functions

SIGNAL NAME	PIN NO.	TYPE ⁽¹⁾	PULL ⁽²⁾	GPIO ⁽³⁾	DESCRIPTION
External Memory Interface (EMIF) Address and Control					
EM_A[0]	91	O	-	N	EMIF Address Bus
EM_A[1]	89	O	-	N	
EM_A[2]	88	O	-	N	
EM_A[3]	86	O	-	N	
EM_A[4]	84	O	-	N	
EM_A[5]	83	O	-	N	
EM_A[6]	80	O	-	N	
EM_A[7]	79	O	-	N	
EM_A[8]	76	O	-	N	
EM_A[9]	75	O	-	N	
EM_A[10]	93	O	-	N	
EM_A[11]	74	O	-	N	
EM_BA[0]	96	O	-	N	SDRAM Bank Address and Asynchronous Memory Low-Order Address
EM_BA[1]	94	O	-	N	
EM_CS[0]	97	O	-	N	SDRAM Chip Select
EM_CS[2]	100	O	-	N	Asynchronous Memory Chip Select
EM_CAS	37	O	-	N	SDRAM Column Address Strobe
EM_RAS	98	O	-	N	SDRAM Row Address Strobe
EM_WE	38	O	-	N	SDRAM Write Enable
EM_CKE	71	O	-	N	SDRAM Clock Enable
EM_CLK	70	O	-	N	SDRAM Clock
EM_WE_DQM[0]	39	O	-	N	Write Enable or Byte Enable for EM_D[7:0]
EM_WE_DQM[1]	67	O	-	N	Write Enable or Byte Enable for EM_D[15:8]
EM_OE	104	O	-	N	SDRAM Output Enable
EM_RW	102	O	-	N	Asynchronous Memory Read/not Write

- (1) TYPE column refers to pin direction in functional mode. If a pin has more than one function with different directions, the functions are separated with a slash (/).
- (2) PULL column:
 IPD = Internal Pulldown resistor
 IPU = Internal Pullup resistor
- (3) If the GPIO column is 'Y', then in GPIO mode, the pin is configurable as an IO unless otherwise marked.

Table 2-2. Terminal Functions (continued)

SIGNAL NAME	PIN NO.	TYPE ⁽¹⁾	PULL ⁽²⁾	GPIO ⁽³⁾	DESCRIPTION
External Memory Interface (EMIF) Data Bus					
EM_D[0]	52	IO	-	N	EMIF Data Bus [Lower 16 Bits]
EM_D[1]	51	IO	-	N	
EM_D[2]	49	IO	-	N	
EM_D[3]	48	IO	-	N	
EM_D[4]	46	IO	-	N	
EM_D[5]	45	IO	-	N	
EM_D[6]	43	IO	-	N	
EM_D[7]	41	IO	-	N	
EM_D[8]	66	IO	-	N	
EM_D[9]	64	IO	-	N	
EM_D[10]	63	IO	-	N	
EM_D[11]	61	IO	-	N	
EM_D[12]	59	IO	-	N	
EM_D[13]	58	IO	-	N	
EM_D[14]	56	IO	-	N	
EM_D[15]	55	IO	-	N	

Table 2-2. Terminal Functions (continued)

SIGNAL NAME	PIN NO.	TYPE ⁽¹⁾	PULL ⁽²⁾	GPIO ⁽³⁾	DESCRIPTION
McASP0, McASP1, McASP2, and SPI1 Serial Ports					
AHCLKR0/AHCLKR1	143	IO	-	Y	McASP0 and McASP1 Receive Master Clock
ACLKR0	139	IO	-	Y	McASP0 Receive Bit Clock
AFSR0	141	IO	-	Y	McASP0 Receive Frame Sync (L/R Clock)
AHCLKX0/AHCLKX2	2	IO	-	Y	McASP0 and McASP2 Transmit Master Clock
ACLKX0	142	IO	-	Y	McASP0 Transmit Bit Clock
AFSX0	144	IO	-	Y	McASP0 Transmit Frame Sync (L/R Clock)
AMUTE0	3	O	-	Y	McASP0 MUTE Output
AXR0[0]	113	IO	-	Y	McASP0 Serial Data 0
AXR0[1]	115	IO	-	Y	McASP0 Serial Data 1
AXR0[2]	116	IO	-	Y	McASP0 Serial Data 2
AXR0[3]	117	IO	-	Y	McASP0 Serial Data 3
AXR0[4]	119	IO	-	Y	McASP0 Serial Data 4
AXR0[5]/SPI1_SCS	120	IO	-	Y	McASP0 Serial Data 5 <i>or</i> SPI1 Slave Chip Select
AXR0[6]/SPI1_ENA	121	IO	-	Y	McASP0 Serial Data 6 <i>or</i> SPI1 Enable (Ready)
AXR0[7]/SPI1_CLK	122	IO	-	Y	McASP0 Serial Data 7 <i>or</i> SPI1 Serial Clock
AXR0[8]/AXR1[5]/SPI1_SOMI	126	IO	-	Y	McASP0 Serial Data 8 <i>or</i> McASP1 Serial Data 5 <i>or</i> SPI1 Data Pin Slave Out Master In
AXR0[9]/AXR1[4]/SPI1_SIMO	127	IO	-	Y	McASP0 Serial Data 9 <i>or</i> McASP1 Serial Data 4 <i>or</i> SPI1 Data Pin Slave In Master Out
AXR0[10]/AXR1[3]	130	IO	-	Y	McASP0 Serial Data 10 <i>or</i> McASP1 Serial Data 3
AXR0[11]/AXR1[2]	131	IO	-	Y	McASP0 Serial Data 11 <i>or</i> McASP1 Serial Data 2
AXR0[12]/AXR1[1]	134	IO	-	Y	McASP0 Serial Data 12 <i>or</i> McASP1 Serial Data 1
AXR0[13]/AXR1[0]	135	IO	-	Y	McASP0 Serial Data 13 <i>or</i> McASP1 Serial Data 0
AXR0[14]/AXR2[1]	137	IO	-	Y	McASP0 Serial Data 14 <i>or</i> McASP2 Serial Data 1
AXR0[15]/AXR2[0]	138	IO	-	Y	McASP0 Serial Data 15 <i>or</i> McASP2 Serial Data 0
ACLKR1	9	IO	-	Y	McASP1 Receive Bit Clock
AFSR1	12	IO	-	Y	McASP1 Receive Frame Sync (L/R Clock)
AHCLKX1	5	IO	-	Y	McASP1 Transmit Master Clock
ACLKX1	7	IO	-	Y	McASP1 Transmit Bit Clock
AFSX1	11	IO	-	Y	McASP1 Transmit Frame Sync (L/R Clock)
AMUTE1	4	O	-	Y	McASP1 MUTE Output
SPI0, I2C0, and I2C1 Serial Port Pins					
SPI0_SOMI/I2C0_SDA	111	IO	-	Y	SPI0 Data Pin Slave Out Master In <i>or</i> I2C0 Serial Data
SPI0_SIMO	110	IO	-	Y	SPI0 Data Pin Slave In Master Out
SPI0_CLK/I2C0_SCL	108	IO	-	Y	SPI0 Serial Clock <i>or</i> I2C0 Serial Clock
SPI0_SCS/I2C1_SCL	107	IO	-	Y	SPI0 Slave Chip Select <i>or</i> I2C1 Serial Clock
SPI0_ENA/I2C1_SDA	105	IO	-	Y	SPI0 Enable (Ready) <i>or</i> I2C1 Serial Data

Table 2-2. Terminal Functions (continued)

SIGNAL NAME	PIN NO.	TYPE ⁽¹⁾	PULL ⁽²⁾	GPIO ⁽³⁾	DESCRIPTION
Clocks					
OSCIN	23	I	-	N	1.2-V Oscillator Input
OSCOU	24	O	-	N	1.2-V Oscillator Output
OSCV _{DD}	25	PWR	-	N	Oscillator 1.2-V V _{DD} tap point (for filter only)
OSCV _{SS}	22	PWR	-	N	Oscillator V _{SS} tap point (for filter only)
CLKIN	17	I	-	N	Alternate clock input (3.3-V LVCMOS Input)
PLLHV	27	PWR	-	N	PLL 3.3-V Supply Input (requires external filter)
Device Reset					
RESET	14	I	-	N	Device reset pin
Emulation/JTAG Port					
TCK	35	I	IPU	N	Test Clock
TMS	19	I	IPU	N	Test Mode Select
TDI	28	I	IPU	N	Test Data In
TDO	29	OZ	IPU	N	Test Data Out
TRST	21	I	IPD	N	Test Reset
EMU[0]	32	IO	IPU	N	Emulation Pin 0
EMU[1]	34	IO	IPU	N	Emulation Pin 1
Power Pins					
Core Supply (CV _{DD})	8, 16, 20, 33, 44, 53, 57, 65, 77, 85, 90, 101, 123, 128, 132				
IO Supply (DV _{DD})	10, 31, 42, 50, 60, 68, 73, 81, 92, 103, 112, 125, 136				
Ground (V _{SS})	1, 6, 13, 15, 18, 26, 30, 36, 40, 47, 54, 62, 69, 72, 78, 82, 87, 95, 99, 106, 109, 114, 118, 124, 129, 133, 140				

2.15 Device Block Diagram

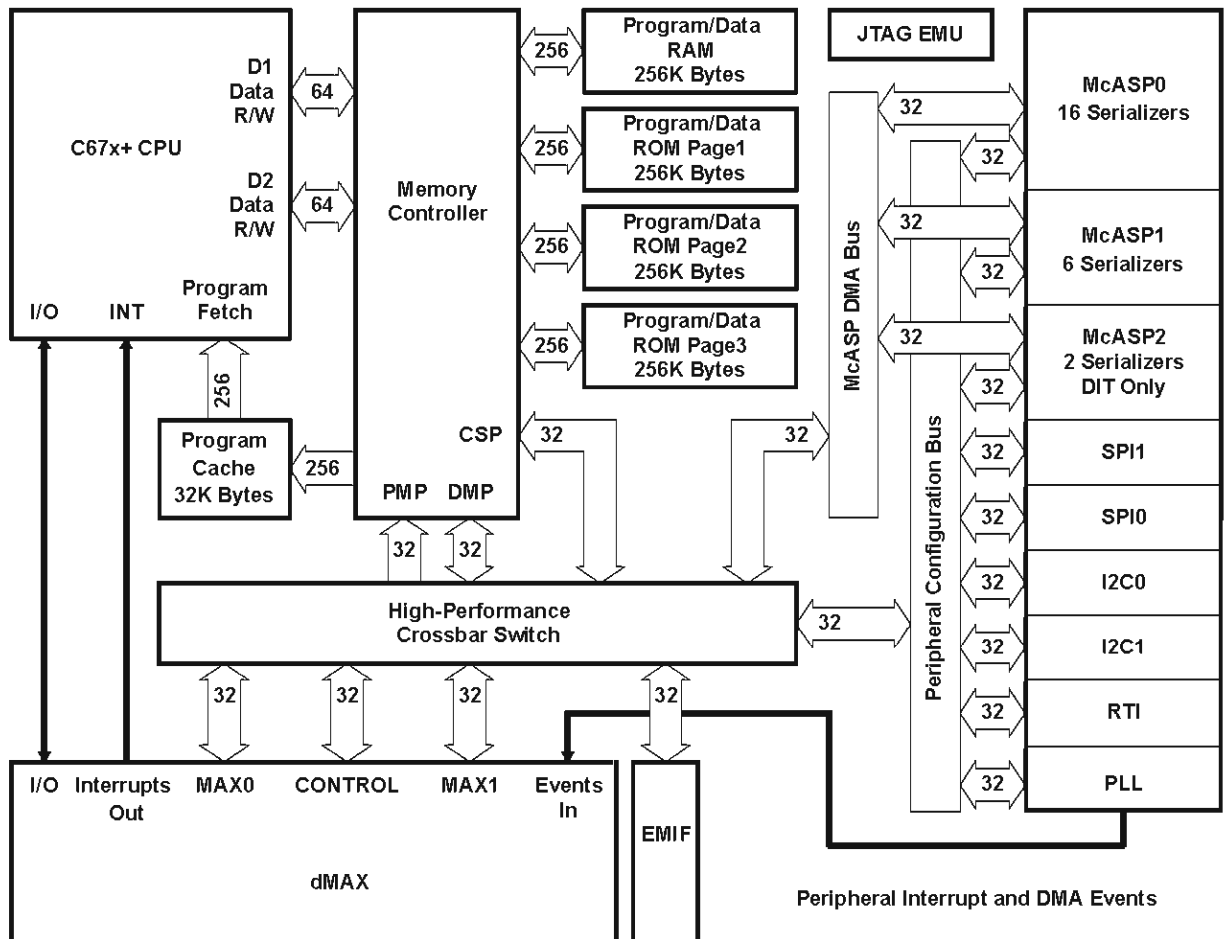


Figure 2-3. DA708 DSP Block Diagram

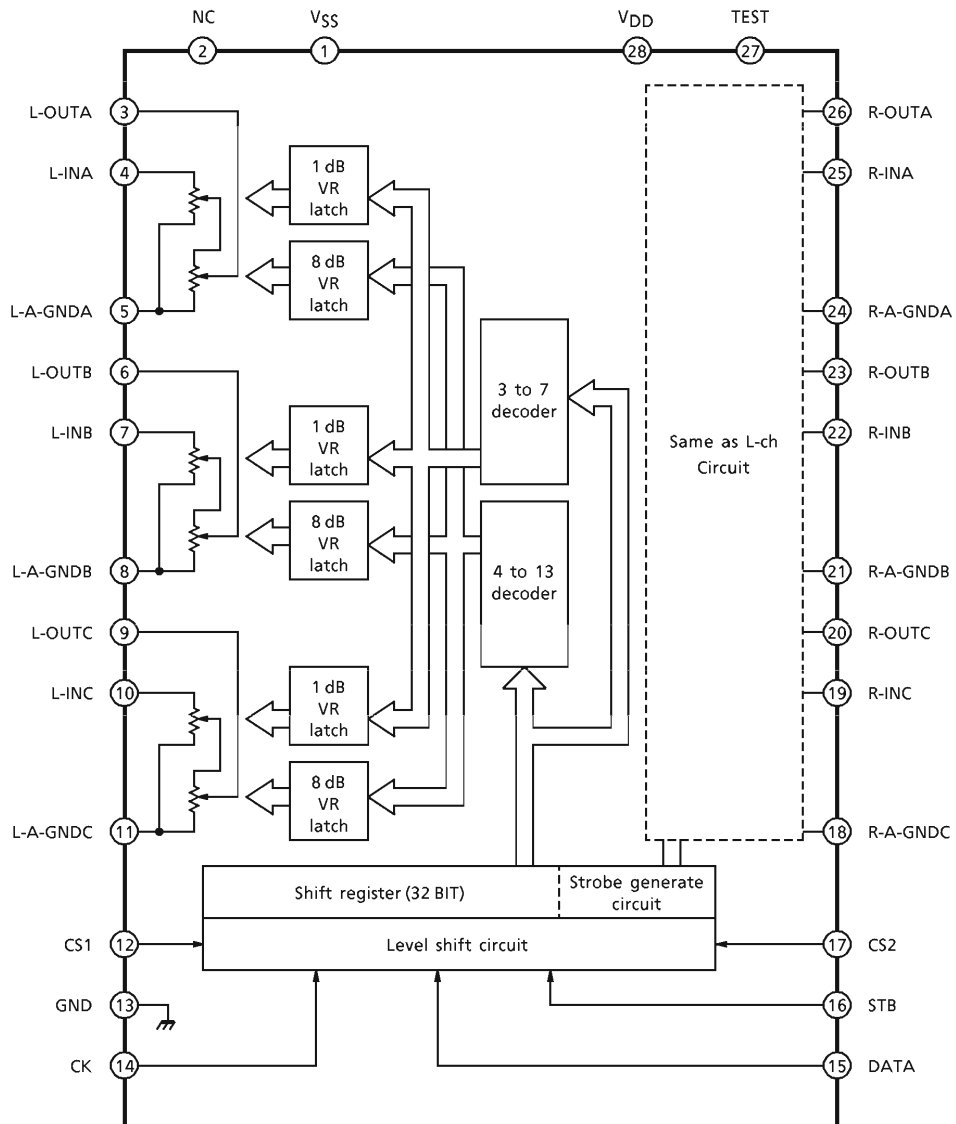
IC38 : TC9482BFG

IC39 : TC9482BFG

PIN CONNECTIONS

VSS	1	28	VDD
NC	2	27	TEST
L-OUTA	3	26	R-OUTA
L-INA	4	25	R-INA
L-A-GNDA	5	24	R-A-GNDA
L-OUTB	6	23	R-OUTB
L-INB	7	22	R-INB
L-A-GNDB	8	21	R-A-GNDB
L-OUTC	9	20	R-OUTC
L-INC	10	19	R-INC
L-A-GNDC	11	18	R-A-GNDC
CS1	12	17	CS2
GND	13	16	STB
CK	14	15	DATA

BLOCK DIAGRAM



IC38 : TC9482BFG

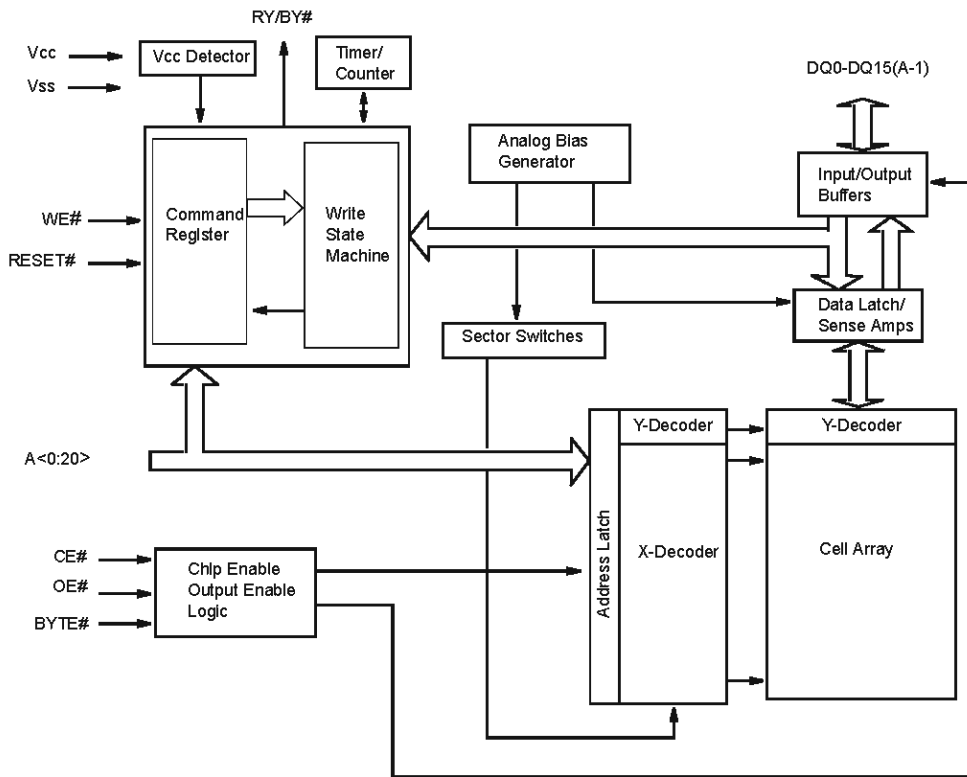
IC39 : TC9482BFG

PIN DESCRIPTION

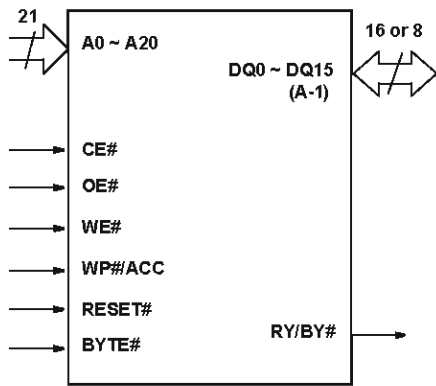
PIN No.	SYMBOL	PIN NAME	FUNCTION	REMARK
1	V _{SS}	Negative power supply pin	● Power Supply Pins	—
28	V _{DD}	Positive power supply pin		
3	L-OUTA	Volume output pin	● Volume circuit	—
26	R-OUTA			
6	L-OUTB			
22	R-OUTB			
9	L-OUTC			
19	R-OUTC			
4	L-INA			
25	R-INA			
7	L-INB			
22	R-INB			
10	L-INC			
19	R-INC			
5	L-A-GNDA	Analog GND pin		—
24	R-A-GNDA			
8	L-A-GNDB			
21	R-A-GNDB			
11	L-A-GNDC			
18	R-A-GNDC			
12	CS1	Chip select input pin	Up to 4 chips on the same bus can be used by switching over chip select code.	—
17	CS2			
14	CK	Clock input pin	Inputs clock for serial data transfer.	Low threshold value input pin
15	DATA	Data input pin	Inputs control data for setting volume.	
16	STB	Strobe input pin	Inputs strobe for writing data.	
13	GND	Digital GND pin	Digital ground pin	—
27	TEST	Test Pin	Normally connect to V _{DD} pin.	—
2	NC	No connection	—	—

IC34 : ES29LV320E

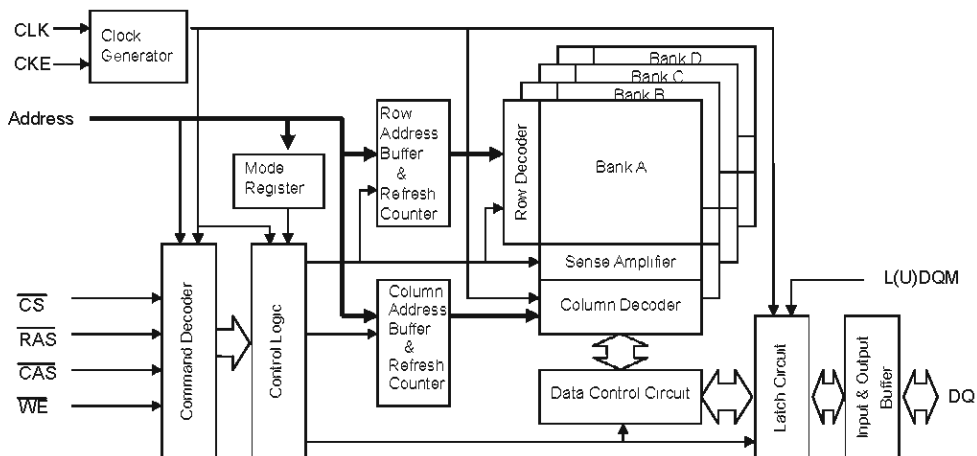
FUNCTION BLOCK DIAGRAM



LOGIC SYMBOL



FUNCTIONAL BLOCK DIAGRAM



PIN FUNCTION DESCRIPTION

PIN	NAME	INPUT FUNCTION
CLK	System Clock	Active on the positive going edge to sample all inputs
\overline{CS}	Chip Select	Disables or enables device operation by masking or enabling all inputs except CLK, CKE and L(U)DQM
CKE	Clock Enable	Masks system clock to freeze operation from the next clock cycle. CKE should be enabled at least one cycle prior new command. Disable input buffers for power down in standby.
A0 ~ A11	Address	Row / column address are multiplexed on the same pins. Row address : RA0~RA11, column address : CA0~CA7
A12, A13	Bank Select Address	Selects bank to be activated during row address latch time. Selects bank for read / write during column address latch time.
\overline{RAS}	Row Address Strobe	Latches row addresses on the positive going edge of the CLK with \overline{RAS} low. Enables row access & precharge.
\overline{CAS}	Column Address Strobe	Latches column address on the positive going edge of the CLK with \overline{CAS} low. Enables column access.
\overline{WE}	Write Enable	Enables write operation and row precharge. Latches data in starting from \overline{CAS} , \overline{WE} active.
L(U)DQM	Data Input / Output Mask	Makes data output Hi-Z, t_{SHZ} after the clock and masks the output. Blocks data input when L(U)DQM active.
DQ0 ~ DQ15	Data Input / Output	Data inputs / outputs are multiplexed on the same pins.
VDD / VSS	Power Supply / Ground	Power and ground for the input buffers and the core logic.
VDDQ / VSSQ	Data Output Power / Ground	Isolated power supply and ground for the output buffers to provide improved noise immunity.
NC	No Connection	This pin is recommended to be left No Connection on the device.

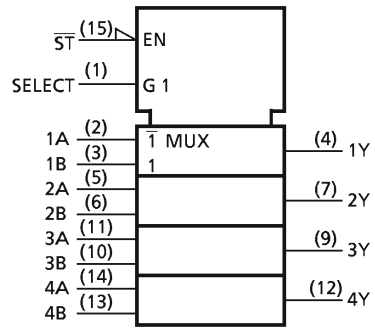
IC32 : TC74VHC157FT

TRUTH TABLE

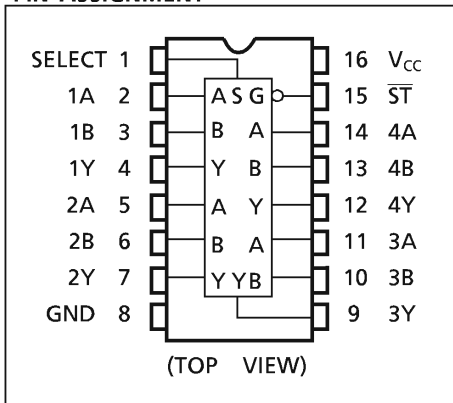
INPUTS				OUTPUT
\overline{ST}	SELECT	A	B	
H	X	X	X	L
L	L	L	X	L
L	L	H	X	H
L	H	X	L	L
L	H	X	H	H

X: Don't Care

IEC LOGIC SYMBOL



PIN ASSIGNMENT



114 dB, 192 kHz 8-Channel D/A Converter

Features

- 24-bit Conversion
- Up to 192 kHz Sample Rates
- 114 dB Dynamic Range
- -100 dB THD+N
- Supports PCM and DSD Data Formats
- Selectable Digital Filters
- Volume Control with Soft Ramp
 - 1 dB Step Size
 - Zero Crossing Click-free Transitions
- Dedicated DSD inputs
- Low Clock Jitter Sensitivity
- Simultaneous Support for Two Synchronous Sample Rates for DVD Audio
- μ C or Stand-alone Operation

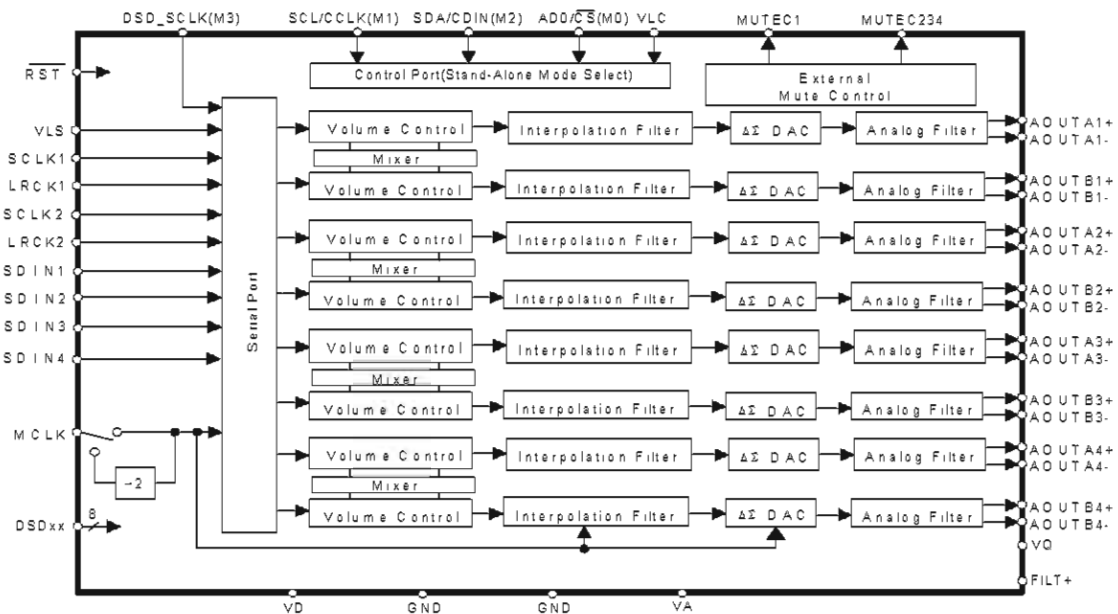
Description

The CS4382 is a complete 8-channel digital-to-analog system including digital interpolation, fifth-order delta-sigma digital-to-analog conversion, digital de-emphasis, volume control and analog filtering. The advantages of this architecture include: ideal differential linearity, no distortion mechanisms due to resistor matching errors, no linearity drift over time and temperature and a high tolerance to clock jitter.

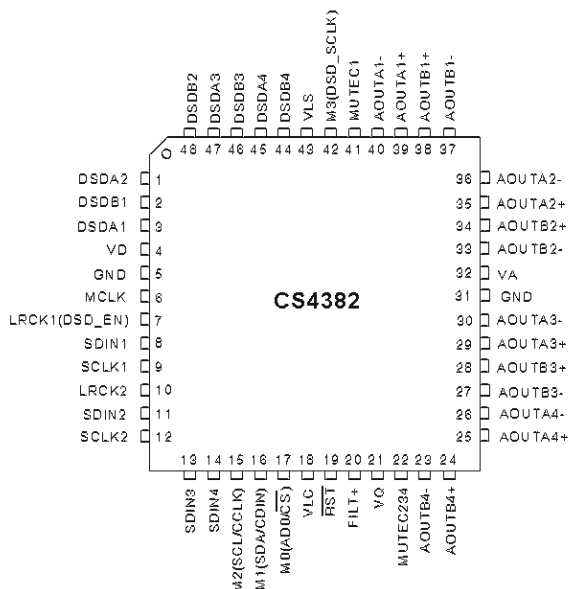
The CS4382 accepts PCM data at sample rates from 4 kHz to 192 kHz, DSD audio data, and operates over a wide power supply range. These features are ideal for multi-channel audio systems including DVD players, SACD players, A/V receivers, digital TV's, mixing consoles, effects processors, and automotive audio systems.

ORDERING INFORMATION

CS4382-KQZ, Lead Free -10 to 70 °C 48-pin LQFP
CDB4382 Evaluation Board



IC41 : CS4382A-CQ



Pin Name	#	Pin Description
VD	4	Digital Power (Input) - Positive power supply for the digital section. Refer to the Recommended Operating Conditions for appropriate voltages.
GND	5 31	Ground (Input) - Ground reference. Should be connected to analog ground.
MCLK	6	Master Clock (Input) - Clock source for the delta-sigma modulator and digital filters. Table 5 illustrates several standard audio sample rates and the required master clock frequency.
LRCK1 LRCK2	7 10	Left Right Clock (Input) - Determines which channel, Left or Right, is currently active on the serial audio data line. The frequency of the left/right clock must be at the audio sample rate, Fs.
SDIN1 SDIN2 SDIN3 SDIN4	8 11 13 14	Serial Audio Data Input (Input) - Input for two's complement serial audio data.
SCLK1 SCLK2	9 12	Serial Clock (Input) - Serial clock for the serial audio interface.
VLC	18	Control Port Power (Input) - Determines the required signal level for the control port. Refer to the Recommended Operating Conditions for appropriate voltages.
RST	19	Reset (Input) - The device enters a low power mode and all internal registers are reset to their default settings when low.
FILT+	20	Positive Voltage Reference (Output) - Positive reference voltage for the internal sampling circuits. Requires the capacitive decoupling to analog ground, as shown in the Typical Connection Diagram.
VQ	21	Quiescent Voltage (Output) - Filter connection for internal quiescent voltage. VQ must be capacitively coupled to analog ground, as shown in the Typical Connection Diagram. The nominal voltage level is specified in the Analog Characteristics and Specifications section. VQ presents an appreciable source impedance and any current drawn from this pin will alter device performance. However, VQ can be used to bias the analog circuitry assuming there is no AC signal component and the DC current is less than the maximum specified in the Analog Characteristics and Specifications section.

IC41 : CS4382A-CQ

Pin Name	#	Pin Description
MUTE _{C1}	41	Mute Control (Output) - The Mute Control pins go high during power-up initialization, reset, muting, power-down or if the master clock to left/right clock frequency ratio is incorrect. These pins are intended to be used as a control for external mute circuits to prevent the clicks and pops that can occur in any single supply system. The use of external mute circuits are not mandatory but may be desired for designs requiring the absolute minimum in extraneous clicks and pops.
MUTE _{C234}	22	
AOUTA1 +,-	39, 40	Differential Analog Output (Output) - The full scale differential analog output level is specified in the Analog Characteristics specification table.
AOUTB1 +,-	38, 37	
AOUTA2 +,-	35, 36	
AOUTB2 +,-	34, 33	
AOUTA3 +,-	29, 30	
AOUTB3 +,-	28, 27	
AOUTA4 +,-	25, 26	
AOUTB4 +,-	24, 23	
VA	32	Analog Power (Input) - Positive power supply for the analog section. Refer to the Recommended Operating Conditions for appropriate voltages.
VLS	43	Serial Audio Interface Power (Input) - Determines the required signal level for the serial audio interface. Refer to the Recommended Operating Conditions for appropriate voltages.
Control Port Definitions		
SCL/CCLK	15	Serial Control Port Clock (Input) - Serial clock for the serial control port. Requires an external pull-up resistor to the logic interface voltage in I ² C mode as shown in the Typical Connection Diagram.
SDA/CDIN	16	Serial Control Data (Input/Output) - SDA is a data I/O line in I ² C mode and requires an external pull-up resistor to the logic interface voltage, as shown in the Typical Connection Diagram. CDIN is the input data line for the control port interface in SPI mode.
AD0/ $\overline{\text{CS}}$	17	Address Bit 0 (I²C) / Control Port Chip Select (SPI) (Input) - AD0 is a chip address pin in I ² C mode; $\overline{\text{CS}}$ is the chip select signal for SPI format.
Stand-Alone Definitions		
M0	17	Mode Selection (Input) - Determines the operational mode of the device as detailed in Tables 6 and 7.
M1	16	
M2	15	
M3	42	
DSD Definitions		
DSD_SCLK	42	DSD Serial Clock (Input) - Serial clock for the Direct Stream Digital audio interface.
DSD_EN	7	DSD-Enable (Input) - When held at logic '1' the device will enter DSD mode (Stand-Alone mode only).
DSDA1	3	Direct Stream Digital Input (Input) - Input for Direct Stream Digital serial audio data.
DSDB1	2	
DSDA2	1	
DSDB2	48	
DSDA3	47	
DSDB3	46	
DSDA4	45	
DSDB4	44	

High Performance Video Scaling Chip for DVD Player/Recorder Applications

Summary

The ABT1010, Anchor Bay's second generation video scaling chip is targeted at low-cost DVD player/recorder applications requiring up-conversion from 480p/576p to high-definition formats including 1080p. The ABT1010 features Anchor Bay's proprietary 10-bit Precision Video Scaling™ engine that can independently scale an image horizontally and vertically to achieve an outstanding picture quality for today's high resolution video displays.

Features

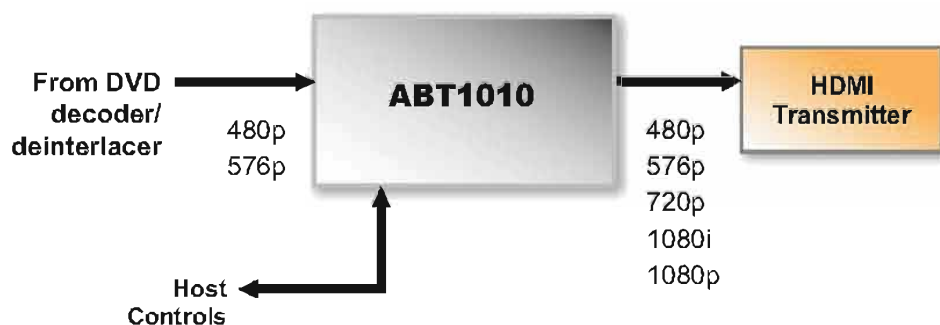
Input

- 16/20-bit YCbCr (4 2 2)
- 8/10-bit YCbCr (4 2 2) - multiplexed YC mode
- Embedded and separate sync support
- Video Formats 480i, 576i, 480p, 576p
- Pass-through mode for all input formats plus 720p and 1080i – useful for passing through 480i/576i to HDMI

Output

- 24-bit RGB/YCbCr (4 4 4)
- 20-bit YCbCr (4 2 2)
- Separate syncs with DE
- Video Formats 480p, 576p, 720p, 1080i, 1080p
- CEA-861D-compliant timing and color space
 - BT.601 for standard-definition outputs
 - BT.709 for high-definition outputs
- Other custom resolutions are supported but may require an external PLL

ABT1010 Typical Application



IC51 : ABT1010

Precision Video Scaling II™

- 10-bit fully programmable horizontal and vertical scaler
- Upscales to 1080p and downscales to VGA format
- Automatic Chroma Upsampling Error detection and correction
- Aspect ratio control for displaying 4:3 inputs on 16:9 displays
 - Includes non-linear stretch (panorama) mode
- Deinterlaces using field scaling techniques

Picture Controls

- Brightness
- Contrast
- Saturation
- Sharpness (vertical and horizontal)
- Sub-pixel Y/C delay
- Output black level
- Dynamic Range Expansion for full range output

Host Interface

- Two wire serial bus interface (I²C compatible)

Power

- 1.8V core and 3.3V I/O

Package

- 100-pin PQFP

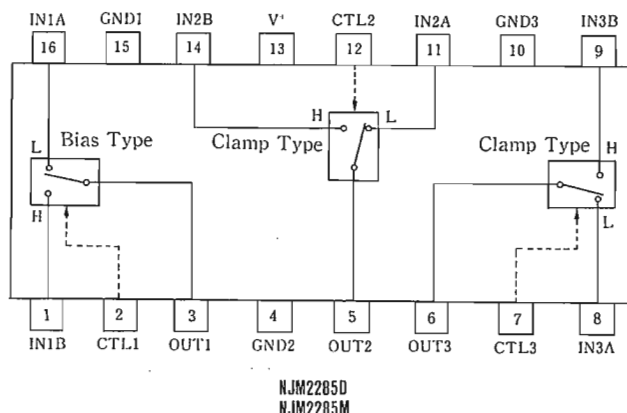
Availability

- Currently available

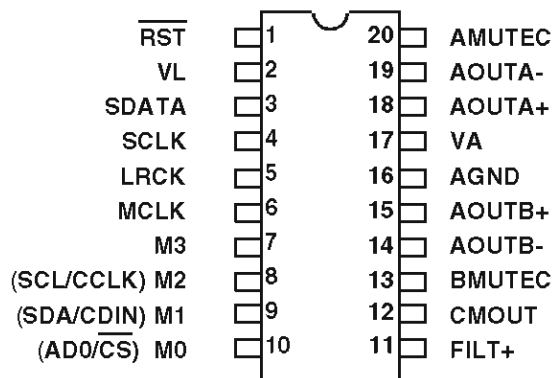
Ordering Information

- ABT1010PQ100A-7

IC61 : NJM2285MTE1



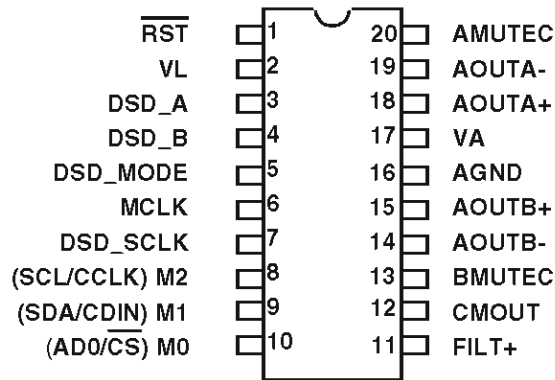
1. PIN DESCRIPTION - PCM DATA MODE



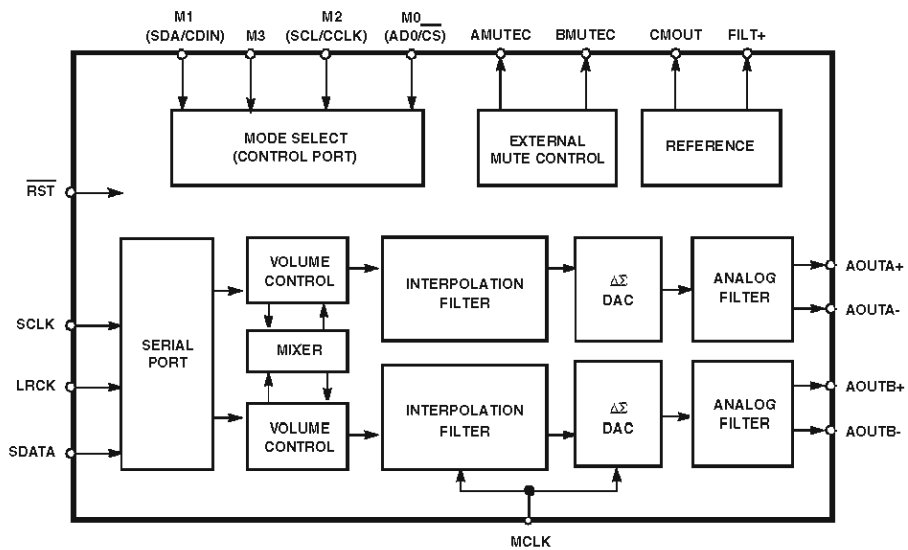
RST	1	Reset (Input) - Powers down device and resets all internal registers to their default settings.
VL	2	Logic Power (Input) - Positive power for the digital input/output.
SDATA	3	Serial Audio Data (Input) - Input for two's complement serial audio data.
SCLK	4	Serial Clock (Input/Output) - Serial clock for the serial audio interface.
LRCK	5	Left Right Clock (Input/Output) - Determines which channel, Left or Right, is currently active on the serial audio data line.
MCLK	6	Master Clock (Input) - Clock source for the delta-sigma modulator and digital filters.
FILT+	11	Positive Voltage Reference (Output) - Positive reference voltage for the internal sampling circuits.
CMOUT	12	Common Mode Voltage (Output) - Filter connection for internal quiescent voltage.
AMUTE BMUTE	20 13	Mute Control (Output) - The Mute Control pin goes high during power-up initialization, reset, muting, power-down or if the master clock to left/right clock frequency ratio is incorrect.
AOUTB- AOUTB+ AOUTA+ AOUTA	14 15 18 19	Differential Analog Output (Outputs) - The full scale differential analog output level is specified in the Analog Characteristics specification table.
AGND	16	Ground (Input)
VA	17	Analog Power (Input) - Positive power for the analog section.
Control Port Mode Definitions		
M3	7	Mode Selection (Input) - This pins should be tied to GND level during control port mode.
SCL/CCLK	8	Serial Control Port Clock (Input) - Serial clock for the serial control port.
SDA/CDIN	9	Serial Control Data (Input/Output) - SDA is a data I/O line in I ² C mode. CDIN is the input data line for the control port interface in SPI mode.
AD0/CS	10	Address Bit 0 (I²C) / Control Port Chip Select (SPI) (Input/Output) - AD0 is a chip address pin in I ² C mode; CS is the chip select signal for SPI format.
Stand-Alone Mode Definitions		
M3	7	Mode Selection (Input) - Determines the operational mode of the device.
M2	8	
M1	9	
M0	10	

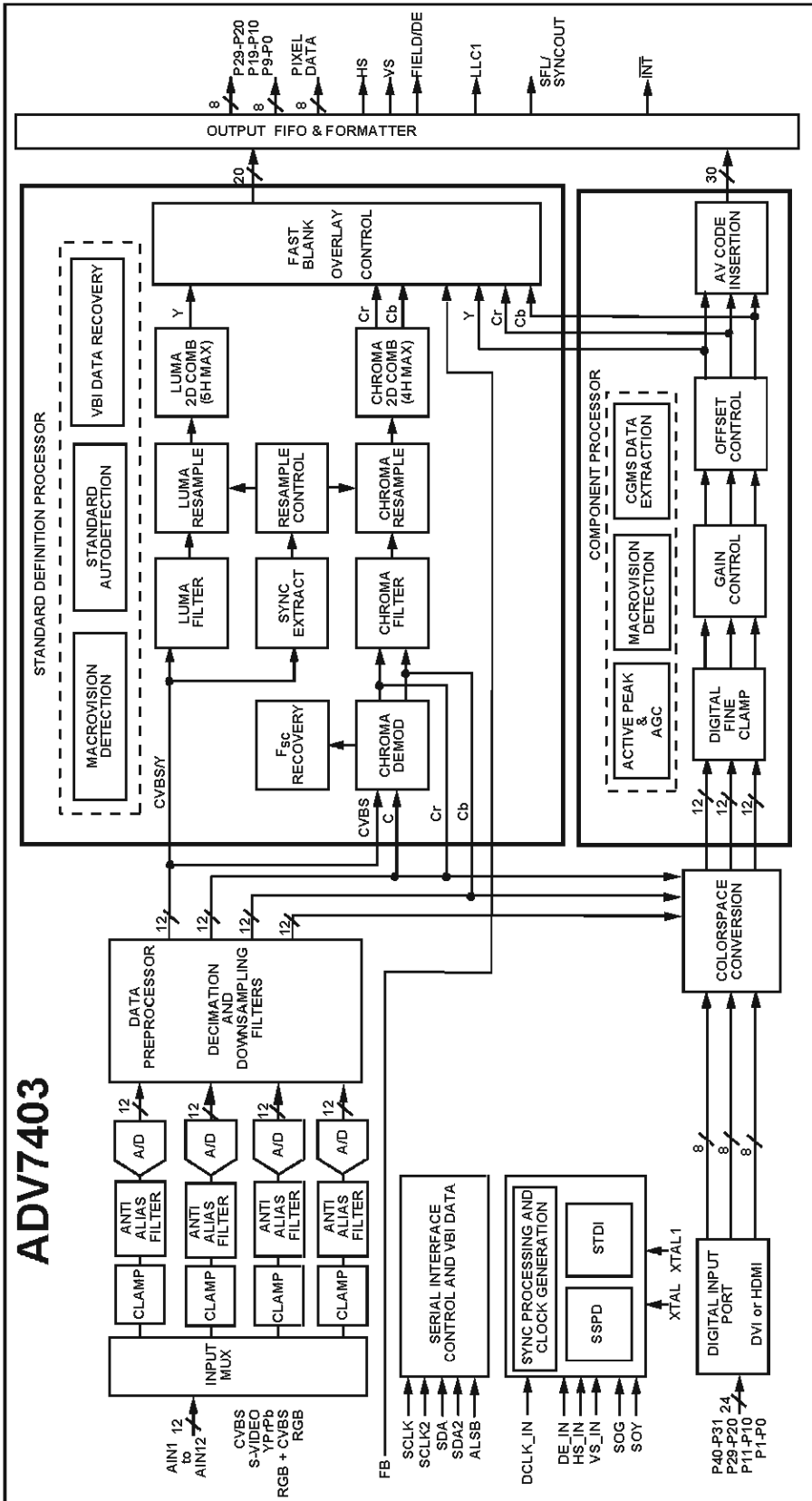
IC61 : CS4392KZZ

1.1 PIN DESCRIPTION - DSD mode



DSD_A	3	DSD Data (<i>Input</i>) - Input for Direct Stream Digital serial audio data.
DSD_B	4	
DSD_Mode	5	DSD Mode (<i>Input</i>) - In stand alone mode, this pin must be set to a logic '1' for operation of DSD Mode.
DSD_SCLK	7	DSD Serial Clock (<i>Input/Output</i>) - Serial clock for the Direct Stream Digital audio interface.





IC62 : ADV7403BSTZ-110

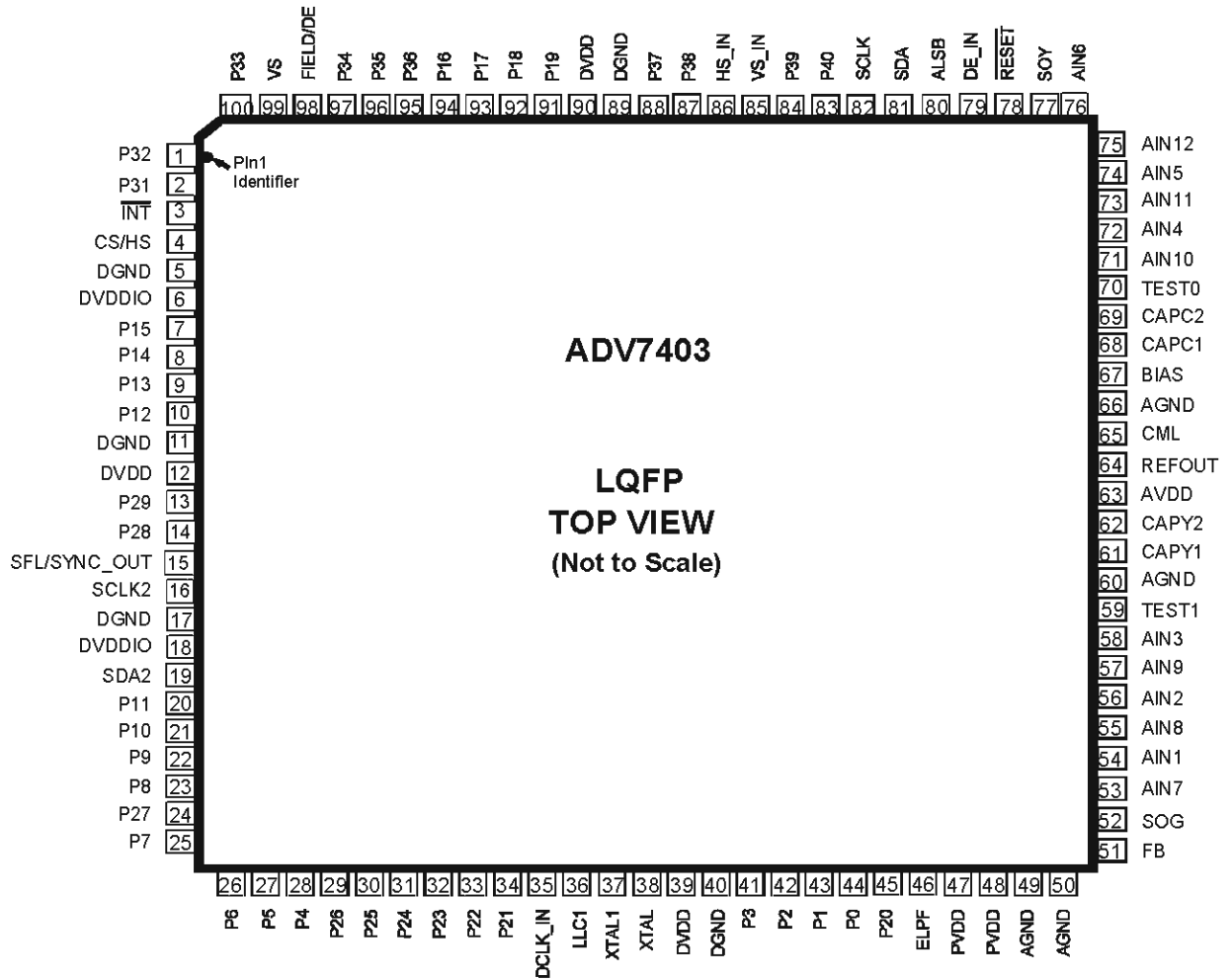


Figure 2: Pin Configuration

Table 1: Pin Function Description

Pin No.	Mnemonic	Type	Function
5, 11, 17, 40, 89	DGND	G	Digital ground
49, 50, 60, 66	AGND	G	Analog ground
6, 18	DVDDIO	P	Digital I/O supply voltage (3.3 V).
12, 39, 90	DVDD	P	Digital core supply voltage (1.8 V).
63	AVDD	P	Analog supply voltage (3.3 V).
47, 48	PVDD	P	PLL supply voltage (1.8 V).
51	FB	I	FB is a fast switch overlay input that switches between CVBS and RGB analog signals.
54, 56, 58,	AIN1–AIN12	I	Analog video input channels.

IC62 : ADV7403BSTZ-110

Pin No.	Mnemonic	Type	Function
72, 74, 76, 53, 55, 57, 71, 73, 75			
42, 41, 28, 27, 26, 25, 23, 22, 10, 9, 8, 7, 94, 93, 92, 91	P2-P9, P12-P19	O	Video pixel output port.
44, 43, 21, 20, 45, 34, 33, 32, 31, 30, 29, 24, 14, 13	P0-P1, P10-P11, P20-P21, P22-P25 P26-P29	I/O	Video pixel input/output port.
2, 1, 100, 97, 96, 95, 88, 87, 84, 83	P31-P40	I	Video pixel input port.
3	INT	O	Interrupt pin, can be active low or active high. When SDP/CP status bits change this pin will trigger. The set of events which will trigger an interrupt are under user control.
4	HS/CS	O	HS is a horizontal synchronization output signal in SDP and CP modes. CS is a digital composite synchronization signal that can be selected while in CP mode.
99	VS	O	VS is a vertical synchronization output signal in SDP and CP modes.
98	FIELD/DE	O	FIELD is a field synchronization output signal in all interlaced video modes. This pin also can be enabled as a DE (Data Enable) signal in CP mode to allow direct connection to a HDMI/DVI Tx IC.
81, 19	SDA1, SDA2	I/O	I ² C port serial data input/output pin, SDA1 is the data line for the Control port and SDA2 is the data line for the VBI readback port.
82, 16	SCLK1, SCLK2	I	I ² C port serial clock input (max clock rate of 400 kHz). SCLK1 is the clock line for the Control port and SCLK2 is the clock line for the VBI data readback port.
80	ALSB	I	This pin selects the I ² C address for the ADV7403 Control and VBI readback ports. ALSB set to a logic 0 sets the address for a write to control port of 0x40 and the readback address for the VBI port of 0x21. ALSB set to a logic high sets the address for a write to control port of 0x42 and the readback address for the VBI port of 0x23.
78	RESET	I	System reset input, active low. A minimum low reset pulse width of 5 ms is required to reset the ADV7403 circuitry.
36	LLC1	O	LLC1 is a line locked output clock for the pixel data (range is 13.5MHz to 110MHz).
38	XTAL	I	Input pin for 28.6363 MHz crystal, or can be overdriven by an external 3.3 V 28.6363 MHz clock oscillator source to clock the ADV7403.
37	XTAL1	O	This pin should be connected to the 28.6363 MHz crystal or left as a no connect if an external 3.3 V 28.6363 MHz clock oscillator source is used to clock the ADV7403. In crystal

IC62 : ADV7403BSTZ-110

Pin No.	Mnemonic	Type	Function
			mode the crystal must be a fundamental crystal.
46	ELPF	O	The recommend external loop filter must be connected to this ELPF pin.
70, 59	TEST0 - TEST1	O	These pins should be unconnected
15	SFL/SYNC_OUT	O	SFL (Subcarrier Frequency Lock); this pin contains a serial output stream which can be used to lock the subcarrier frequency when this decoder is connected to any Analog Devices digital video encoder. SYNC_OUT is the sliced sync output signal only available in CP mode.
64	REFOUT	O	Internal voltage reference output.
65	CML	O	The CML pin is a common-mode level for the internal ADCs.
61, 62	CAPY1 - CAPY2	I	ADC capacitor network.
68, 69	CAPC1 - CAPC2	I	ADC capacitor network.
67	BIAS	O	BIAS is an external bias setting pin. Connect the recommended resistor between pin and ground.
86	HS_IN/CS_IN	I	Can be configured in CP mode to be either a digital HS input signal or a digital CS input signal used to extract timing in a 5-wire or 4-wire RGB mode.
85	VS_IN	I	VS input signal used in CP mode for 5-wire timing mode.
79	DE_IN	I	DE_IN is a data enable input signal used in 24-bit digital input port mode, for example, 24-bit RGB data from a DVI Rx IC.
35	DCLK_IN	I	DCLK_IN is a clock input signal used in 24-bit digital input mode (e.g. 24-bit RGB data from a DVI Rx IC) and also in digital CVBS input mode.
52	SOG	I	SOG is a sync on green input used in embedded sync mode.
77	SOY	I	SOY is a sync on luma input used in embedded sync mode.

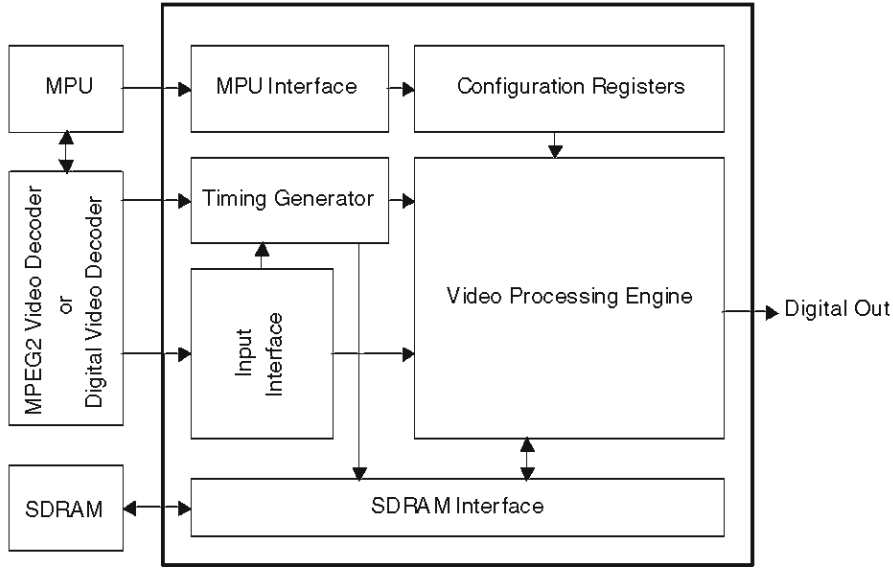


Fig. 2-1: System Block Diagram

**Pin Assignment
of
CD0040AF**

108	ovdd	109	cvdd
107	ovss	110	MD7
106	TEST4	111	MD8
105	TEST3	112	MD6
104	WE	113	MD9
103	MCLK	114	ovdd
102	CAS	115	ovss
101	DQM	116	MD5
100	RAS	117	MD10
99	ovss	118	MD4
98	ovdd	119	MD11
97	MA9	120	ovdd
96	MA11	121	ovss
95	MA8	122	MD3
94	MA10	123	MD12
93	ovdd	124	MD2
92	cvss	125	MD13
91	TEST5	126	ovss
90	ovss	127	cvss
89	MA7	128	ovdd
88	MA0	129	MD1
87	MA6	130	MD14
86	MA1	131	MD0
85	ovss	132	MD15
84	ovdd	133	SLV
83	MA5	134	RFFO
82	MA2	135	SDA
81	MA4	136	SCL
80	MA3	137	SRN
79	ovss	138	ovss
78	ovdd	139	cvdd
77	MD16	140	PLL_VDD
76	MD17	141	VPDX
75	MD18	142	TEST6
74	MD19	143	PLL_GND
73	ovdd	144	ivdd

72	ivdd
71	cvdd
70	ovss
69	RFFI
68	FILM
67	CO9
66	CO8
65	CO7
64	CO6
63	CO5
62	ovss
61	ovdd
60	CO4
59	CO3
58	CO2
57	CO1
56	CO0
55	ovss
54	cvss
53	ovdd
52	YO0
51	YO1
50	YO2
49	YO3
48	YO4
47	ovss
46	ovdd
45	YO5
44	YO6
43	YO7
42	YO8
41	YO9
40	CLKO
39	TEST2
38	TEST1
37	cvdd

IC63 : CD0040AF

No.	Name	I/O	Attribute	Functional Description
1	OVDD	P	-	Positive supply voltage(+3.3V) for Pad Ring
2	CLKI	In	CMOS	System Clock Input (27MHz)
3	TEST7	In	CMOS	Test purpose only(must be connected to Ground)
4	PLL_EN	In	CMOS	PLL enable
5	PI0	In	CMOS	ITU-R BT 656/601 Input (LSB)
6	PI1	In	CMOS	ITU-R BT 656/601 Input
7	PI2	In	CMOS	ITU-R BT 656/601 Input
8	PI3	In	CMOS	ITU-R BT 656/601 Input
9	PI4	In	CMOS	ITU-R BT 656/601 Input
10	PI5	In	CMOS	ITU-R BT 656/601 Input
11	PI6	In	CMOS	ITU-R BT 656/601 Input
12	PI7	In	CMOS	ITU-R BT 656/601 Input
13	PI8	In	CMOS	ITU-R BT 656/601 Input
14	PI9	In	CMOS	ITU-R BT 656/601 Input (MSB)
15	NHSI	In	Schmitt	Active low horizontal sync input
16	NVSI	In	Schmitt	Active low vertical sync input
17	OVSS	P	-	Digital ground for Pad Ring
18	THMD	In	Schmitt	Through mode setting terminal. Usually, this must be connected to ground.
19	CVSS	P	-	Digital ground for Core
20	NVSO	Out	2mA	Active low vertical sync output (Interlace or Progressive) Refer "11.2Video Output"
21	NHSO	Out	2mA	Active low horizontal sync output(Interlace or Progressive) Refer "11.2Video Output"
22	PO9	Inout	CMOS / 2mA	ITU-R BT 656/601 output (MSB) / clamp signal output / ITU-R BT. 601 Cb/Cr input(MSB)
23	PO8	Inout	CMOS / 2mA	ITU-R BT 656/601 output / Video active signal output / ITU-R BT. 601 Cb/Cr Input Refer "11.1Video Input""11.2Video Output""11.3Through Mode"
24	PO7	Inout	CMOS / 2mA	ITU-R BT 656/601 output / Video blanking signal output / ITU-R BT. 601 Cb/Cr Input Refer "11.1Video Input""11.2Video Output"
25	PO6	Inout	CMOS / 2mA	ITU-R BT 656/601 output / ITU-R BT 601 Cb/Cr input Refer "11.1Video Input""11.2Video Output""11.3Through Mode"
26	OVDD	P	-	Positive supply voltage (+3.3V) for Pad Ring
27	OVSS	P	-	Digital ground for Pad Ring
28	PO5	Inout	CMOS / 2mA	ITU-R BT 656/601 output / ITU-R BT 601 Cb/Cr Input Refer "11.1Video Input""11.2Video Output""11.3Through Mode"
29	PO4	Inout	CMOS / 2mA	ITU-R BT 656/601 output / ITU-R BT 601 Cb/Cr Input Refer "11.1Video Input""11.2Video Output""11.3Through Mode"
30	PO3	Inout	CMOS / 2mA	ITU-R BT 656/601 output / ITU-R BT 601 Cb/Cr Input Refer "11.1Video Input""11.2Video Output""11.3Through Mode"
31	PO2	Inout	CMOS / 2mA	ITU-R BT 656/601 output / ITU-R BT 601 Cb/Cr Input Refer "11.1Video Input""11.2Video Output""11.3Through Mode"
32	PO1	Inout	CMOS / 2mA	ITU-R BT 656/601 output / ITU-R BT 601 Cb/Cr Input ² Refer "11.1Video Input""11.2Video Output""11.3Through Mode"
33	PO0	Inout	CMOS / 2mA	ITU-R BT 656/601 output (LSB) / ITU-R BT 601 Cb/Cr Input ² Refer "11.1Video Input""11.2Video Output""11.3Through Mode"
34	TEST0	In	CMOS	Test purpose only (must be connected to ground)
35	OVSS	P	-	Digital ground for Pad Ring
36	OVDD	P	-	Positive supply voltage (+3.3V) for Pad Ring
37	CVDD	P	-	Digital positive supply voltage (+2.5V) for core
38	TEST1	In	CMOS	Test purpose only (must be connected to ground)
39	TEST2	In	CMOS	Test purpose only (must be connected to ground)
40	CLKO	Out	2mA	Clock output(27MHz)
41	YO9	Out	4mA	ANSI/SMPT E 293M Y output(MSB)
42	YO8	Out	4mA	ANSI/SMPT E 293M Y output
43	YO7	Out	4mA	ANSI/SMPT E 293M Y output
44	YO6	Out	4mA	ANSI/SMPT E 293M Y output
45	YO5	Out	4mA	ANSI/SMPT E 293M Y output
46	OVDD	P	-	Positive supply voltage (+3.3V) for Pad Ring
47	OVSS	P	-	Digital ground for Pad Ring
48	YO4	Out	4mA	ANSI/SMPT E 293M Y output
49	YO3	Out	4mA	ANSI/SMPT E 293M Y output
50	YO2	Out	4mA	ANSI/SMPT E 293M Y output
51	YO1	Out	4mA	ANSI/SMPT E 293M Y output
52	YO0	Out	4mA	ANSI/SMPT E 293M Y output (LSB)
53	OVDD	P	-	Positive supply voltage (+3.3V) for Pad Ring
54	CVSS	P	-	Digital ground for core
55	OVSS	P	-	Digital ground for Pad Ring
56	CO0	Out	4mA	ANSI/SMPT E 293M Cb/Cr output
57	CO1	Out	4mA	ANSI/SMPT E 293M Cb/Cr output
58	CO2	Out	4mA	ANSI/SMPT E 293M Cb/Cr output
59	CO3	Out	4mA	ANSI/SMPT E 293M Cb/Cr output
60	CO4	Out	4mA	ANSI/SMPT E 293M Cb/Cr output
61	OVDD	P	-	Positive supply voltage (+3.3V) for Pad Ring
62	OVSS	P	-	Digital ground for Pad Ring
63	CO6	Out	4mA	ANSI/SMPT E 293M Cb/Cr output
64	CO6	Out	4mA	ANSI/SMPT E 293M Cb/Cr output
65	CO7	Out	4mA	ANSI/SMPT E 293M Cb/Cr output
66	CO8	Out	4mA	ANSI/SMPT E 293M Cb/Cr output
67	CO9	Out	4mA	ANSI/SMPT E 293M Cb/Cr output (MSB)
68	FILM	Out	2mA	Film sequence detection flag output. Refer "11.4.1 8Film detector Flag Output"
69	RFFI	In	CMOS	MPEG flag (Repeat First Field) Input port. Refer "11.4.1 8Film I/P Conversion""11.4.1 8Film Sequence Flag Control Mode"

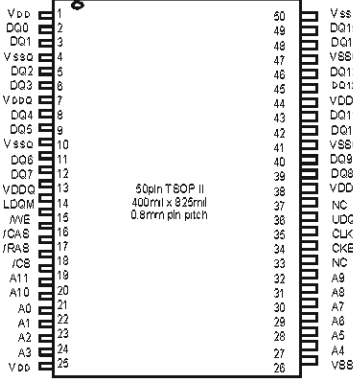
No.	Name	I/O	Attribute	Functional Description
70	OVSS	P	-	Digital ground for Pad Ring
71	CVDD	P	-	Digital positive supply voltage (+2.5V) for core
72	IVDD	P	-	Positive supply voltage (+3.3V) for Pad Ring
73	OVDD	P	-	Positive supply voltage (+3.3V) for Pad Ring
74	MD19	Inout	CMOS, pull-up / 4mA	Data input/output port for SDRAM
75	MD18	Inout	CMOS, pull-up / 4mA	Data input/output port for SDRAM
76	MD17	Inout	CMOS, pull-up / 4mA	Data input/output port for SDRAM
77	MD16	Inout	CMOS, pull-up / 4mA	Data input/output port for SDRAM
78	OVDD	P	-	Positive supply voltage (+3.3V) for Pad Ring
79	OVSS	P	-	Digital ground for Pad Ring
80	MA3	Out	4mA	Address output port for SDRAM
81	MA4	Out	4mA	Address output port for SDRAM
82	MA5	Out	4mA	Address output port for SDRAM
83	MA5	Out	4mA	Address output port for SDRAM
84	OVDD	P	-	Positive supply voltage (+3.3V) for Pad Ring
85	OVSS	P	-	Digital ground for Pad Ring
86	MA1	Out	4mA	Address output port for SDRAM
87	MA6	Out	4mA	Address output port for SDRAM
88	MA0	Out	4mA	Address output port for SDRAM (LSB)
89	MA7	Out	4mA	Address output port for SDRAM
90	OVSS	P	-	Digital ground for Pad Ring
91	IVSS	P	-	Digital ground for Pad Ring
92	CVSS	P	-	Digital ground for Pad Ring for Core
93	OVDD	P	-	Positive supply voltage (+3.3V) for Pad Ring
94	MA10	Out	4mA	Address output port for SDRAM
95	MA8	Out	4mA	Address output port for SDRAM
96	MA11	Out	4mA	Address output port for SDRAM (MSB)
97	MA9	Out	4mA	Address output port for SDRAM
98	OVDD	P	-	Positive supply voltage (+3.3V) for Pad Ring
99	OVSS	P	-	Digital ground for Pad Ring
100	RAS	Out	4mA	Row Address Strobe command output port for SDRAM
101	DCM	Out	4mA	DCM output port for SDRAM. In addition, please connect the CKE terminal of SDRAM to the power supply of SDRAM
102	CAS	Out	4mA	Column Address Strobe command output port for SDRAM
103	MCLK	Out	4mA	Clock output port for SDRAM (54MHz)
104	WE	Out	4mA	Write Enable output port for SDRAM
105	TEST3	In	CMOS	Test purpose only (must be connected to ground)
106	TEST4	In	CMOS	Test purpose only (must be connected to ground)
107	OVSS	P	-	Digital ground for Pad Ring
108	OVDD	P	-	Positive supply voltage (+3.3V) for Pad Ring
109	CVDD	P	-	Digital positive supply voltage (+2.5V) for core
110	MD7	Inout	CMOS, pull-up / 4mA	Data input/output port for SDRAM
111	MD8	Inout	CMOS, pull-up / 4mA	Data input/output port for SDRAM
112	MD6	Inout	CMOS, pull-up / 4mA	Data input/output port for SDRAM
113	MD9	Inout	CMOS, pull-up / 4mA	Data input/output port for SDRAM
114	OVDD	P	-	Positive supply voltage (+3.3V) for Pad Ring
115	OVSS	P	-	Digital ground for Pad Ring
116	MD5	Inout	CMOS, pull-up / 4mA	Data input/output port for SDRAM
117	MD10	Inout	CMOS, pull-up / 4mA	Data input/output port for SDRAM
118	MD4	Inout	CMOS, pull-up / 4mA	Data input/output port for SDRAM
119	MD11	Inout	CMOS, pull-up / 4mA	Data input/output port for SDRAM
120	OVDD	P	-	Positive supply voltage (+3.3V) for Pad Ring
121	OVSS	P	-	Digital ground for Pad Ring
122	MD3	Inout	CMOS, pull-up / 4mA	Data input/output port for SDRAM
123	MD12	Inout	CMOS, pull-up / 4mA	Data input/output port for SDRAM
124	MD2	Inout	CMOS, pull-up / 4mA	Data input/output port for SDRAM
125	MD13	Inout	CMOS, pull-up / 4mA	Data input/output port for SDRAM
126	OVSS	P	-	Digital ground for Pad Ring
127	CVSS	P	-	Digital ground for core
128	OVDD	P	-	Positive supply voltage (+3.3V) for Pad Ring
129	MD1	Inout	CMOS, pull-up / 4mA	Data input/output port for SDRAM
130	MD14	Inout	CMOS, pull-up / 4mA	Data input/output port for SDRAM
131	MD0	Inout	CMOS, pull-up / 4mA	Data input/output port for SDRAM
132	MD15	Inout	CMOS, pull-up / 4mA	Data input/output port for SDRAM
133	SLV	In	CMOS	Slave address selection input for I2C. Slave address is set up to 0x72 when SLV is "0", 0x70 when "1"
134	RFFO	Out	2mA	MPEG flag (Repeat First Field) output port. If not used, leave open
135	SDA	Inout	Schmitt, 3.3V / 4mA	Data input/output of MPU interface
136	SCL	In	Schmitt, 3.3V	Clock input of MPU interface
137	SRN	In	Schmitt	System reset input(negative)
138	OVSS	P	-	Digital ground for Pad Ring
139	CVDD	P	-	Digital positive supply voltage (+2.5V) for core
140	PLL_VDD	P	-	Digital positive supply voltage (+2.5V) for PLL
141	VPDX	In	CMOS	Must be connected to ground
142	TEST8	In	CMOS	Test purpose only (must be connected to ground)
143	PLL_GND	P	-	Ground for PLL
144	IVDD	P	-	Positive supply voltage (+3.3V) for Pad Ring

Note *1 P10 and P11 should be connected to GND at the time of 8bit Input.
 *2 PO0 and PO1 should connected to GND at the time of 8bit Input.
 *3 Although the same bidirectional buffer as PO is used in order to write PO and timing at the time of PO Input, it is always fixed as an Input.
 *4 The initial-setting value or the initial state in a reset period and after reset release

IC64 : HY57V161610ET-7

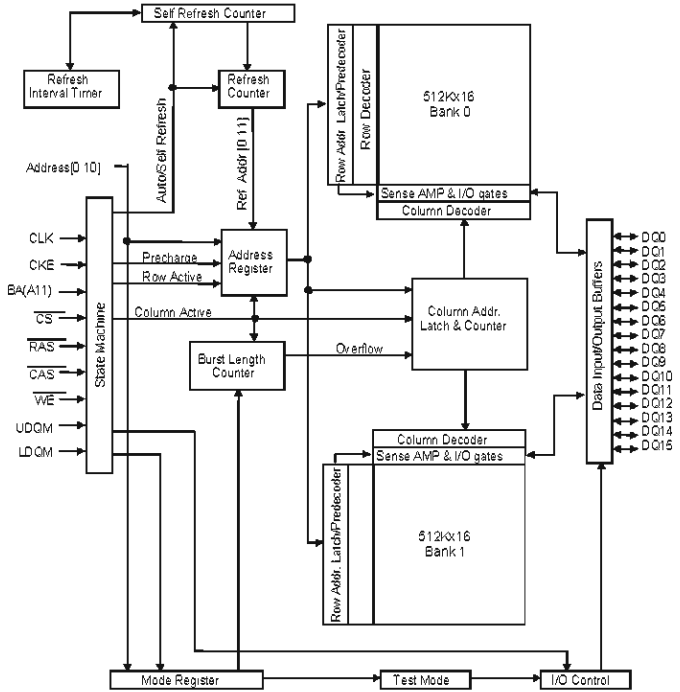
1Mx16 Synchronous DRAM

PIN CONFIGURATION



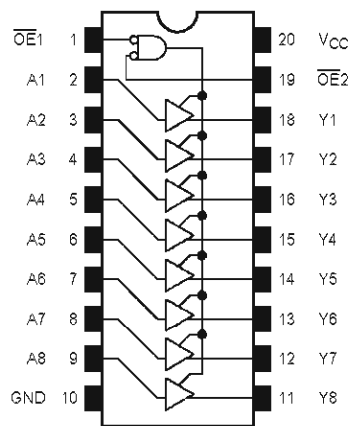
PIN DESCRIPTION

PIN	PIN NAME	DESCRIPTION
CLK	Clock	The system clock input. All other inputs are referenced to the SDRAM on the rising edge of CLK.
CKE	Clock Enable	Controls internal clock signal and when deactivated, the SDRAM will be one of the states among power down, suspend or self refresh.
CS	Chip Select	Command input enable or mask except CLK, CKE and DQM.
BA	Bank Address	Select either one of banks during both RAS and CAS activity.
A0 ~ A10	Address	Row Address: RA0 - RA10, Column Address: CA0 - CA7, Auto-precharge flag: A10.
RAS, CAS, WE	Row Address Strobe, Column Address Strobe, Write Enable	RAS, CAS and WE define the operation. Refer function truth table for details.
LDQM, UDQM	Data Input/Output Mask	DQM control output buffer. In read mode and mask input data in write mode.
DQ0 ~ DQ15	Data Input/Output	Multiplexed data input/output pin.
VDD/VSS	Power Supply/Ground	Power supply for internal circuit and input buffer.
VDDQ/VSSQ	Data Output Power/Ground	Power supply for DQ.
NC	No Connection	No connection.

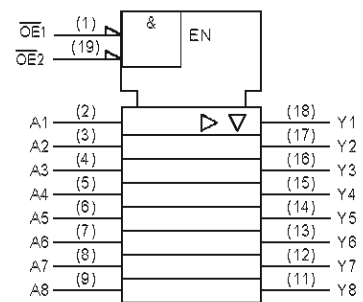


- IC65 : TC74VCX541FT
- IC66 : TC74VCX541FT
- IC67 : TC74VCX541FT
- IC68 : TC74VCX541FT
- IC69 : TC74VCX541FT
- IC70 : TC74VCX541FT

Pin Assignment (top view)



IEC Logic Symbol

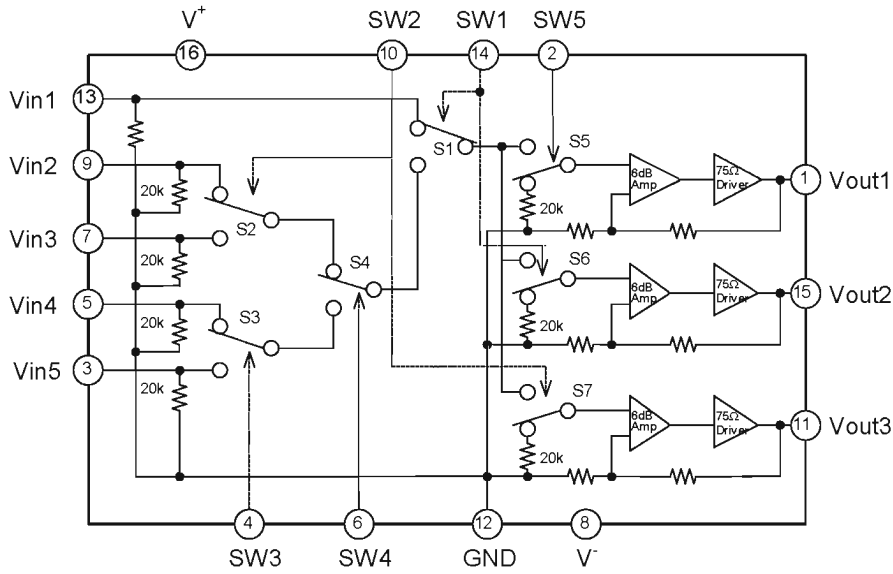


Truth Table

Inputs			Outputs
OE1	OE2	An	
H	X	X	Z
X	H	X	Z
L	L	H	H
L	L	L	L

X: Don't care
Z: High impedance

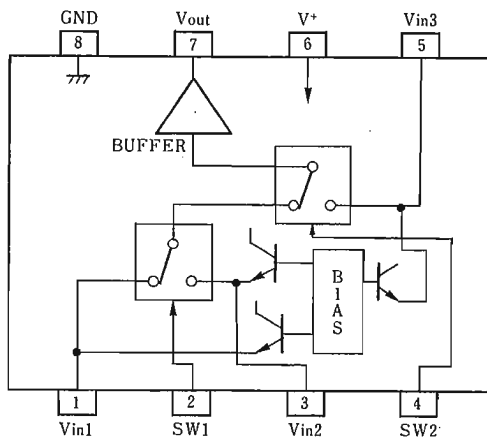
IC71 : NJM2595MTE1
IC72 : NJM2595MTE1
IC73 : NJM2595MTE1
IC81 : NJM2595MTE1



■ Control Signal vs. Output Signal (L=V_{CL}, H=V_{CH}, X=L or H)

SW1	SW2	SW3	SW4	SW5	Vout1	Vout2	Vout3
L	H	X	X	H	Vin1	MUTE	Vin1
	L			Vin1	MUTE	MUTE	
	H			MUTE	MUTE	Vin1	
H	L	X	L	H	Vin2	Vin2	MUTE
				L	MUTE	Vin2	MUTE
				H	Vin3	Vin3	Vin3
H	H	X	L	L	MUTE	Vin3	Vin3
				H	Vin4	Vin4	Vin4
				L	MUTE	Vin4	Vin4
H	H	L	H	H	Vin4	Vin4	MUTE
				L	MUTE	Vin4	MUTE
				H	Vin5	Vin5	Vin5
H	H	H	H	L	MUTE	Vin5	MUTE
				H	Vin5	Vin5	MUTE
				L	MUTE	Vin5	MUTE
L	L	X	X	L	MUTE	MUTE	MUTE

IC74 : NJM2535D

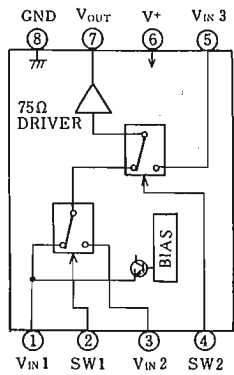


PIN FUNCTION

- 1 : Vin1
- 2 : SW1
- 3 : Vin2
- 4 : SW2
- 5 : V_{in3}
- 6 : V⁺
- 7 : V_{out}
- 8 : GND

SW1	SW2	OUTPUT SIGNAL
L	L	V _{IN1}
H	L	V _{IN2}
L/H	H	V _{IN3}

IC75 : NJM2264D

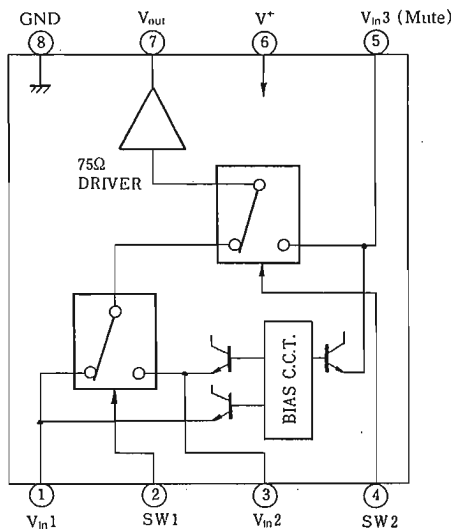


SW 1	SW 2	OUTPUT SIGNAL
L	L	V _{IN 1}
H	L	V _{IN 2}
L/H	H	V _{IN 3}

IC76 : NJM2244D

IC77 : NJM2244D

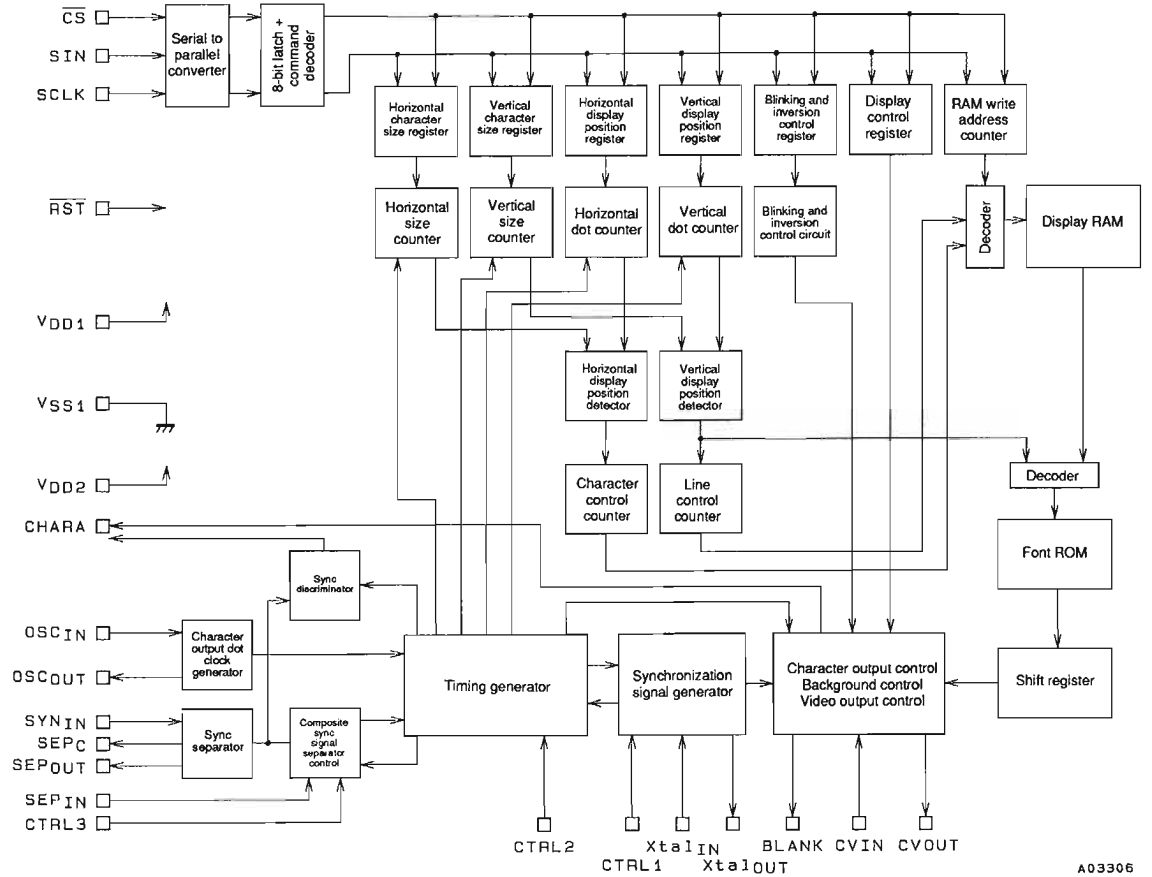
IC82 : NJM2244D



SW 1	SW 2	OUTPUT SIGNAL
L	L	V _{IN 1}
H	L	V _{IN 2}
L/H	H	V _{IN 3}

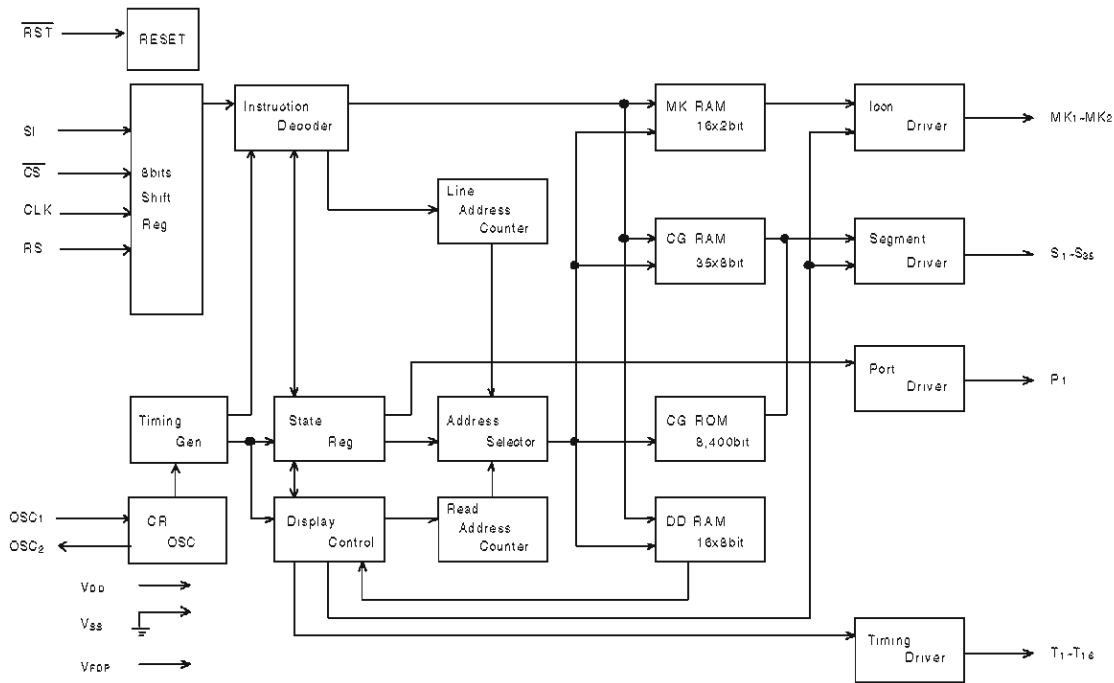
note): Input clamp voltage is about 2/5 of supply voltage.

IC78 : LC747828A13



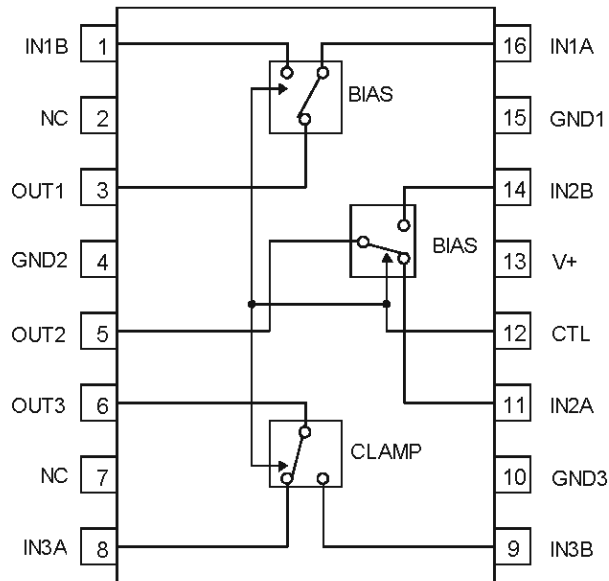
Pin No.	Symbol	Function	Description
1	V _{SS1}	Ground	Ground connection (digital system ground)
2	Xtal _{IN}	Crystal oscillator connection	Used to connect the crystal oscillator and capacitor to generate the internal synchronization signal, or to input an external clock (2fsc or 4fsc).
3	Xtal _{OUT}		
4	CTRL1	Crystal oscillator input switching	Switches between external clock input mode and crystal oscillator mode. Low = crystal oscillator mode, high = external clock mode
5	BLANK	Blanking output	Outputs the blank signal (the OR of the character and border signals). (Outputs a composite sync signal when MOD0 is high.) Outputs the crystal oscillator clock during reset (when the RST pin is low), but can be set up to not output this signal by microprocessor command.
6	OSC _{IN}	LC oscillator connection	Connections for the coil and capacitor that form the oscillator that generates the character output dot clock.
7	OSC _{OUT}		
8	CHARA	Character output	Outputs the character signal. (Functions as the external synchronization signal discrimination signal output pin when MOD0 is high, and outputs the state of the judgment as to whether the external synchronization signal is present or not. Outputs a high level when the synchronization signal is present.) Outputs the dot clock (LC oscillator) during reset, but can be set up to not output this signal by microprocessor command.
9	CS	Enable input	Serial data input enable input. Serial data input is enabled when low. A pull-up resistor is built in (hysteresis input).
10	SCLK	Clock input	Serial data input clock input. A pull-up resistor is built in (hysteresis input).
11	SIN	Data input	Serial data input. A pull-up resistor is built in (hysteresis input).
12	V _{DD2}	Power supply	Composite video signal level adjustment power supply pin (analog system power supply).
13	CV _{OUT}	Video signal output	Composite video signal output
14	NC		Must be either connected to ground or left open.
15	CV _{IN}	Video signal input	Composite video signal input
16	V _{DD1}	Power supply	Power supply (+5 V: digital system power supply)
17	SYN _{IN}	Sync separator circuit input	Video signal input for the built-in sync separator circuit (Used for either horizontal synchronization signal or composite sync signal input when the built-in sync separator circuit is not used.)
18	SEP _C	Sync separator circuit bias voltage	Built-in sync separator circuit bias voltage monitor pin
19	SEP _{OUT}	Composite sync signal output	Built-in sync separator circuit composite sync signal output. (When MOD1 is high, outputs a high level during internal synchronization and a low level during external synchronization.) (Outputs the SYN _{IN} input signal when the internal sync separator circuit is not used.)
20	SEP _{IN}	Vertical synchronization signal input	Inputs a vertical synchronization signal created by integrating the SEP _{OUT} pin output signal. An integrator must be attached at the SEP _{OUT} pin. This pin must be tied to V _{DD1} if unused.
21	CTRL2	NTSC/PAL-M switching input	The setting indicated by this pin takes priority in switching between the NTSC, PAL, PAL-M and PAL-N formats. A low level selects NTSC after a reset. The microprocessor command NTSC, PAL, PAL-M, or PAL-N setting is valid. High = PAL-M format.
22	CTRL3	SEP _{IN} input control	Controls whether or not the VSYNC signal is input to the SEP _{IN} input. Low = VSYNC input, high = VSYNC not input.
23	RST	Reset input	System reset input. A pull-up resistor is built in (hysteresis input).
24	V _{DD1}	Power supply (+5 V)	Power supply (+5 V: digital system power supply)

IC81 : NJU3430F



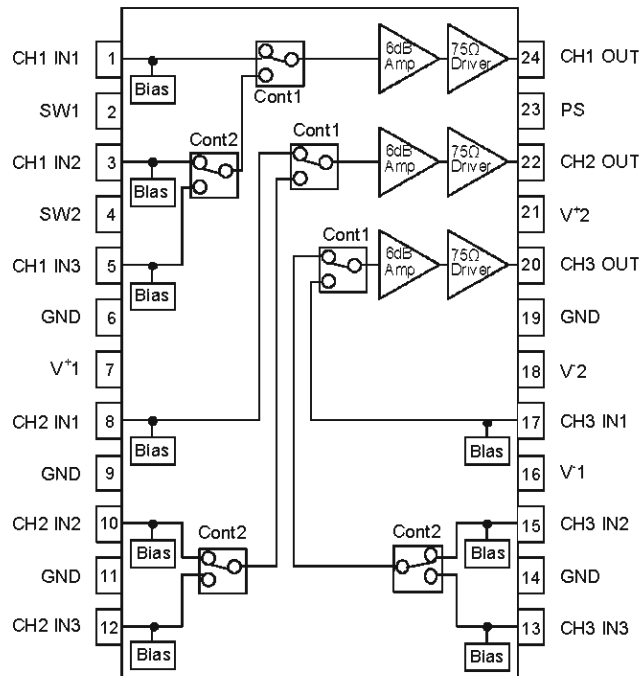
No.	SYMBOL	I/O	F U N C T I O N
57	VDD	-	Power Source : VDD=+3.0 to 5.5V
49	VSS	-	GND : VSS=0V
48	VFDP	-	VFD Driving Power Source VDD-20V to VDD-45V
50	OSC1	I	CR Oscillation Terminal External R and C connect to these terminals. (Target fosc=360kHz)
51	OSC2	O	
54	CLK	I	Serial Clock Input Terminal The serial data input synchronizing the rise edge of this terminal.
53	CS	I	Chip Select Terminal When the CS terminal is "H" the serial data input is not available.
55	SI	I	Serial Data Input Terminal The data input is MSB first.
56	RS	I	Register Selection Signal Input Terminal RS="0" : Instruction Register RS="1" : Data Register
52	RST	I	Reset Terminal RST="L" : Reset -Each Address : (00)H -Each RAM Data : Unfixed -Display Digits : 16-digit -Contrast Control : 8/16 Dury -All Display Off -All Outputs are "L"
61 to 64, 1 to 31	S1 to S35	O	Segment Output Terminals (Internal Pull-down Resistance)
32 to 47	T1 to T16	O	Timing Output Terminals (Internal Pull-down Resistance)
60 59	MK1 MK2	O	Icon Output Terminals (Internal Pull-down Resistance)
58	P1	O	Output Port Terminal This terminal is suitable for LED.

IC91 : NJM2584M
 IC92 : NJM2584M
 IC93 : NJM2584M
 IC96 : NJM2584M
 IC97 : NJM2584M
 IC98 : NJM2584M



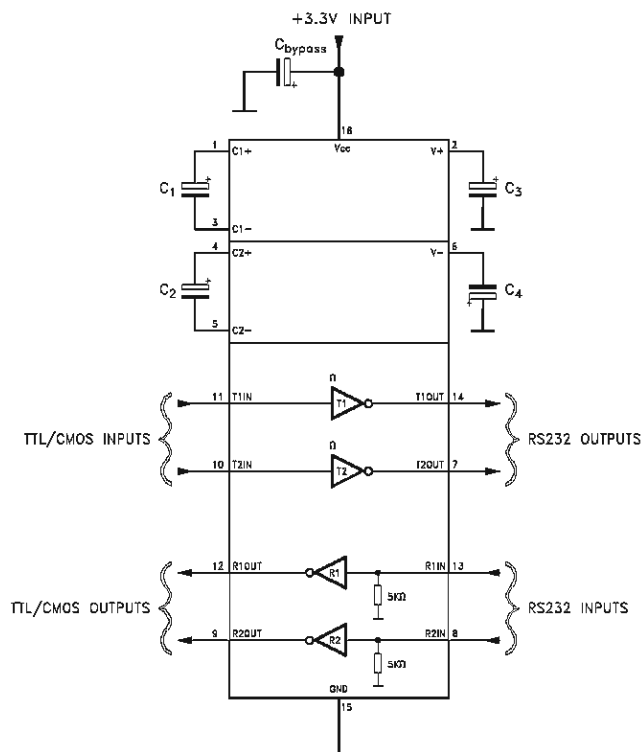
PIN	MODE	NOTES
Control	H	B channel output
	L	A channel output
	OPEN	A channel output

IC94 : NJM2586AM
 IC99 : NJM2586AM



PARAMETER	STATUS	NOTE
PS	H	Power Save: OFF
	L	Power Save: ON
	OPEN	Power Save: ON

PARAMETER	STATUS		NOTE
	SW1	SW2	
SW1, SW2	L, OPEN	X	IN1 (X=don't care)
	H	L, OPEN	IN2
	H	H	IN3



PIN DESCRIPTION

PIN N°	SYMBOL	NAME AND FUNCTION
1	C ₁₊	Positive Terminal for the first Charge Pump Capacitor
2	V+	Doubled Voltage Terminal
3	C ₁₋	Negative Terminal for the first Charge Pump Capacitor
4	C ₂₊	Positive Terminal for the second Charge Pump Capacitor
5	C ₂₋	Negative Terminal for the second Charge Pump Capacitor
6	V-	Inverted Voltage Terminal
7	T ₂ OUT	Second Transmitter Output Voltage
8	R ₂ IN	Second Receiver Input Voltage
9	R ₂ OUT	Second Receiver Output Voltage
10	T ₂ IN	Second Transmitter Input Voltage
11	T ₁ IN	First Transmitter Input Voltage
12	R ₁ OUT	First Receiver Output Voltage
13	R ₁ IN	First Receiver Input Voltage
14	T ₁ OUT	First Transmitter Output Voltage
15	GND	Ground
16	V _{CC}	Supply Voltage

13. ELECTRICAL PARTS LIST

PARTS INFORMATION

RESISTORS

- 1) 00MGD05 x x x 140, Carbon film fixed resistor, ±5% 1/4W
- 2) 00MGD05 x x x 160, Carbon film fixed resistor, ±5% 1/6W

① — Resistance value

Examples ;

- ① Resistance value
- 0.1Ω 001 10Ω 100 1kΩ 102 100kΩ 104
- 0.5Ω 005 18Ω 180 2.7kΩ 272 680kΩ 684
- 1Ω 010 100Ω 101 10kΩ 103 1MΩ 105
- 6.8Ω 068 390Ω 391 22kΩ 223 4.7MΩ 475

Note : Please distinguish 1/4W from 1/6W by the shape of parts used actually.

CAPACITORS

CERAMIC CAP.

- 3) 00MDD1 x x x x 370, Ceramic capacitor
Disc type
Temp.coeff.P350 ~ N1000, 50V
- ② — Capacity value
③ — Tolerance

Examples ;

- ② Tolerance (Capacity deviation)
- ±0.25pF 0
- ±0.5pF 1
- ±5% 5

* Tolerance of COMMON PARTS handled here are as follows :

- 0.5pF ~ 5pF ±0.25pF
- 6pF ~ 10pF ±0.5pF
- 12pF ~ 560pF ±5%

③ Capacity value

- 0.5pF 005 3pF 030 100pF 101
- 1pF 010 10pF 100 220pF 221
- 1.5pF 015 47pF 470 560pF 561

CERAMIC CAP.

- 4) 00MDK16 x x x 300, High dielectric constant ceramic capacitor
Disc type
Temp.chara. 2B4, 50V
- ④ — Capacity value

Examples ;

- ④ Capacity value
- 100pF 101 1000pF 102 10000pF 103
- 470pF 471 2200pF 222

ELECTROLY CAP. ($\frac{\square}{\square}$)

- 5) 00MEA x x x x x 10, Electrolytic capacitor
One-way lead type, Tolerance ±20%
- ⑤ — Capacity value
⑥ — Working voltage

Examples ;

- ⑤ Capacity value
- 0.1μF 104 4.7μF 475 100μF ... 107
- 0.33μF 334 10μF 106 330μF ... 337
- 1μF 105 22μF 226 1100μF ... 118
- 2200μF ... 228

⑥ Working voltage

- 6.3V 006 25V 025
- 10V 010 35V 035
- 16V 016 50V 050

FILM CAP. ($\frac{\square}{\square}$)

- 6) 00MDF15 x x x 350 — Plastic film capacitor
One-way type, Mylar ±5% 50V
 - 00MDF15 x x x 310 — Plastic film capacitor
One-way type, Mylar ±5% 50V
 - 00MDF16 x x x 310 — Plastic film capacitor
One-way type, Mylar ±10% 50V
- ⑦ — Capacity value

Examples ;

- ⑦ Capacity value
- 0.001μF (1000pF) 102 0.1μF 104
- 0.0018μF 182 0.56μF 564
- 0.01μF 103 1μF 105
- 0.015μF 153

NOTE ON SAFETY FOR FUSIBLE RESISTOR :

The suppliers and their type numbers of fusible resistors are as follows;

1. KOA Corporation

- | Part No. (MJI) | Type No. (KOA) | Description |
|-------------------|--------------------|-------------|
| 00MNH05 x x x 140 | RF25S x x x x ΩJ | (±5% 1/4W) |
| 00MNH05 x x x 120 | RF50S x x x x ΩJ | (±5% 1/2W) |
| 00MNH85 x x x 110 | RF73B2A x x x x ΩJ | (±5% 1/10W) |
| 00MNH95 x x x 140 | RF73B2E x x x x ΩJ | (±5% 1/4W) |

* Resistance value Resistance value (0.1 – 10kΩ)

2. Matsushita Electronic Components Co., Ltd

- | Part No. (MJI) | Type No. (MEC) | Description |
|-------------------|----------------|-------------|
| 00MNF05 x x x 140 | ERD-2FCJ x x x | (±5% 1/4W) |
| 00MRF05 x x x 140 | | |
| 00MNF02 x x x 140 | ERD-2FCG x x x | (±2% 1/4W) |
| 00MRF02 x x x 140 | | |

* Resistance value * Resistance value

Examples ;

- * Resistance value
- 0.1Ω 001 10Ω 100 1kΩ 102 100kΩ 104
- 0.5Ω 005 18Ω 180 2.7kΩ 272 680kΩ 684
- 1Ω 010 100Ω 101 10kΩ 103 1MΩ 105
- 6.8Ω 068 390Ω 391 22kΩ 223 4.7MΩ 475



ABBREVIATION AND MARKS

ANT. : ANTENNA	BATT. : BATTERY
CAP. : CAPACITOR	CER. : CERAMIC
CONN. : CONNECTING	DIG. : DIGITAL
HP : HEADPHONE	MIC. : MICROPHONE
μ-PRO : MICROPROCESSOR	REC. : RECORDING
RES. : RESISTOR	SPK : SPEAKER
SW : SWITCH	TRANSF. : TRANSFORMER
TRIM. : TRIMMING	TRS. : TRANSISTOR
VAR. : VARIABLE	X'TAL : CRYSTAL


NOTE ON FUSE :

Regarding to all parts of parts code **00MFS20xxx2xx**, replace only with Wickmann-Werke GmbH, Type 372 non glass type fuse.

NOTE ON SAFETY :

Symbol  Fire or electrical shock hazard. Only original parts should be used to replaced any part marked with symbol . Any other component substitution (other than original type), may increase risk of fire or electrical shock hazard.

安全上の注意 :

 がついている部品は、安全上重要な部品です。必ず指定されている部品番号の部品を使用して下さい。

P.W.B. NAME	POS. NO.	VERS. COLOR	PART NO. (FOR EUR)	PART NO. (MZ)	PART NAME	DESCRIPTION
7.1CH INPUT PWB (CUP12077Z)						
7.1 IN	BN85		nsp	nsp	CORD	15P WIRE ASSY(80MM 2.0MM) CWB1A015080EN
7.1 IN	C121		nsp	00MDD95471300	CER. CAP.	470PF 50V JA CCUS1H471JA
7.1 IN	C122		nsp	00MDD95471300	CER. CAP.	470PF 50V JA CCUS1H471JA
7.1 IN	C123		nsp	00MDD95471300	CER. CAP.	470PF 50V JA CCUS1H471JA
7.1 IN	C124		nsp	00MDD95471300	CER. CAP.	470PF 50V JA CCUS1H471JA
7.1 IN	C125		nsp	00MDD95471300	CER. CAP.	470PF 50V JA CCUS1H471JA
7.1 IN	C126		nsp	00MDD95471300	CER. CAP.	470PF 50V JA CCUS1H471JA
7.1 IN	C127		nsp	00MDD95471300	CER. CAP.	470PF 50V JA CCUS1H471JA
7.1 IN	C128		nsp	00MDD95471300	CER. CAP.	470PF 50V JA CCUS1H471JA
7.1 IN	JK15		90M-YT003720R	90M-YT003720R	TERMINAL	GOLD PLATE CJJ4P047Z
7.1 IN	JK16		90M-YT003720R	90M-YT003720R	TERMINAL	GOLD PLATE CJJ4P047Z
7.1 IN	R121		nsp	00MNN05101610	CHIP RES.	100 OHM 1/10W J CRJ10DJ101T
7.1 IN	R122		nsp	00MNN05101610	CHIP RES.	100 OHM 1/10W J CRJ10DJ101T
7.1 IN	R123		nsp	00MNN05101610	CHIP RES.	100 OHM 1/10W J CRJ10DJ101T
7.1 IN	R124		nsp	00MNN05101610	CHIP RES.	100 OHM 1/10W J CRJ10DJ101T
7.1 IN	R125		nsp	00MNN05101610	CHIP RES.	100 OHM 1/10W J CRJ10DJ101T
7.1 IN	R126		nsp	00MNN05101610	CHIP RES.	100 OHM 1/10W J CRJ10DJ101T
7.1 IN	R127		nsp	00MNN05101610	CHIP RES.	100 OHM 1/10W J CRJ10DJ101T
7.1 IN	R128		nsp	00MNN05101610	CHIP RES.	100 OHM 1/10W J CRJ10DJ101T
CDR-X PWB (CUP12077Z)						
CDR-X	C141		nsp	00MOA22605020	ELECT CAP.	22UF 50V RA2-50V220ME3#8 CCEA1HRA220T
CDR-X	C142		nsp	00MOA22605020	ELECT CAP.	22UF 50V RA2-50V220ME3#8 CCEA1HRA220T
CDR-X	C143		nsp	00MDD91100300	CER. CAP.	10PF 50V JA CCUS1H100JA
CDR-X	C145		nsp	00MDD91100300	CER. CAP.	10PF 50V JA CCUS1H100JA
CDR-X	C146		nsp	00MOA22605020	ELECT CAP.	22UF 50V RA2-50V220ME3#8 CCEA1HRA220T
CDR-X	C147		nsp	00MOA22605020	ELECT CAP.	22UF 50V CCEA1HH220T
CDR-X	C148		nsp	00MDK96103300	CER. CAP.	0.01UF 50V KC CCUS1H103KC
CDR-X	C151		nsp	00MOA22605020	ELECT CAP.	22UF 50V RA2-50V220ME3#8 CCEA1HRA220T
CDR-X	C152		nsp	00MOA22605020	ELECT CAP.	22UF 50V RA2-50V220ME3#8 CCEA1HRA220T
CDR-X	C153		nsp	00MDD91100300	CER. CAP.	10PF 50V JA CCUS1H100JA
CDR-X	C155		nsp	00MDD91100300	CER. CAP.	10PF 50V JA CCUS1H100JA
CDR-X	C156		nsp	00MOA22605020	ELECT CAP.	22UF 50V RA2-50V220ME3#8 CCEA1HRA220T
CDR-X	C157		nsp	00MOA22605020	ELECT CAP.	22UF 50V CCEA1HH220T
CDR-X	C158		nsp	00MDK96103300	CER. CAP.	0.01UF 50V KC CCUS1H103KC
CDR-X	CN29		nsp	nsp	CONN.	5P STRAIGHT 20017WS-05 CJP05GA19ZY
CDR-X	IC13		00MHC10102090	00MHC10102090	IC	NJM2068MD-TE1 HVINJM2068MDTE1
CDR-X	JK13		943646000870S	943646000870S	TERMINAL	XLR JACK CJS6S003Z
CDR-X	JK14		943646000870S	943646000870S	TERMINAL	XLR JACK CJS6S003Z
CDR-X	R141		nsp	00MNN05103610	CHIP RES.	10K OHM 1/10W J CRJ10DJ103T
CDR-X	R142		nsp	00MNN05103610	CHIP RES.	10K OHM 1/10W J CRJ10DJ103T
CDR-X	R143		nsp	00MNN05103610	CHIP RES.	10K OHM 1/10W J CRJ10DJ103T
CDR-X	R145		nsp	00MNN05103610	CHIP RES.	10K OHM 1/10W J CRJ10DJ103T
CDR-X	R146		nsp	00MNN05222610	CHIP RES.	2.2K OHM 1/10W J CRJ10DJ222T
CDR-X	R147		nsp	00MNN05222610	CHIP RES.	2.2K OHM 1/10W J CRJ10DJ222T
CDR-X	R151		nsp	00MNN05103610	CHIP RES.	10K OHM 1/10W J CRJ10DJ103T
CDR-X	R152		nsp	00MNN05103610	CHIP RES.	10K OHM 1/10W J CRJ10DJ103T
CDR-X	R153		nsp	00MNN05103610	CHIP RES.	10K OHM 1/10W J CRJ10DJ103T
CDR-X	R155		nsp	00MNN05103610	CHIP RES.	10K OHM 1/10W J CRJ10DJ103T
CDR-X	R156		nsp	00MNN05222610	CHIP RES.	2.2K OHM 1/10W J CRJ10DJ222T
CDR-X	R157		nsp	00MNN05222610	CHIP RES.	2.2K OHM 1/10W J CRJ10DJ222T
CDR-X	SW12		90M-SS000710R	90M-SS000710R	SW	SLIDE SWITCH KSS2B016Z
COMPONENT PWB (CUP12074Z)						
COMP.	BK81		nsp	nsp	BRACKET	BRACKET FOR PWB CMD1A569
COMP.	C801		nsp	00MDK96103300	CER. CAP.	0.01UF 50V KC CCUS1H103KC
COMP.	C802		nsp	00MOA47602520	ELECT CAP.	47UF 25V CCEA1EH470T
COMP.	C803		nsp	00MDK96103300	CER. CAP.	0.01UF 50V KC CCUS1H103KC
COMP.	C804		nsp	00MOA47602520	ELECT CAP.	47UF 25V CCEA1EH470T
COMP.	C805		nsp	00MDK96103300	CER. CAP.	0.01UF 50V KC CCUS1H103KC
COMP.	C806		nsp	00MOA47602520	ELECT CAP.	47UF 25V CCEA1EH470T
COMP.	C807		nsp	00MDK96103300	CER. CAP.	0.01UF 50V KC CCUS1H103KC
COMP.	C808		nsp	00MDK96103300	CER. CAP.	0.01UF 50V KC CCUS1H103KC
COMP.	C809		nsp	00MDK96103300	CER. CAP.	0.01UF 50V KC CCUS1H103KC
COMP.	C811		nsp	00MDK96103300	CER. CAP.	0.01UF 50V KC CCUS1H103KC
COMP.	C812		nsp	00MOA10701620	ELECT CAP.	100UF 16V CCEA1CH101T
COMP.	C813		nsp	00MOA10701620	ELECT CAP.	100UF 16V CCEA1CH101T
COMP.	C814		nsp	00MDK96103300	CER. CAP.	0.01UF 50V KC CCUS1H103KC

NOTE : "nsp" PART IS LISTED FOR REFERENCE ONLY, MARANTZ WILL NOT SUPPLY THESE PARTS

P.W.B. NAME	POS. NO.	VERS. COLOR	PART NO. (FOR EUR)	PART NO. (MZ)	PART NAME	DESCRIPTION	
COMP.	C815		nsp	00MDK96103300	CER. CAP.	0.01UF 50V KC	CCUS1H103KC
COMP.	C819		nsp	00MDK96103300	CER. CAP.	0.01UF 50V KC	CCUS1H103KC
COMP.	C831		nsp	00MDK96102300	CER. CAP.	1000PF 50V KC	CCUS1H102KC
COMP.	C832		nsp	00MDK96102300	CER. CAP.	1000PF 50V KC	CCUS1H102KC
COMP.	C840		nsp	00MDK96102300	CER. CAP.	1000PF 50V KC	CCUS1H102KC
COMP.	C841		nsp	00MDK96102300	CER. CAP.	1000PF 50V KC	CCUS1H102KC
COMP.	C842		nsp	00MDK96102300	CER. CAP.	1000PF 50V KC	CCUS1H102KC
COMP.	C843		nsp	00MDK96102300	CER. CAP.	1000PF 50V KC	CCUS1H102KC
COMP.	C844		nsp	00MDK96102300	CER. CAP.	1000PF 50V KC	CCUS1H102KC
COMP.	C845		nsp	00MDK96102300	CER. CAP.	1000PF 50V KC	CCUS1H102KC
COMP.	C846		nsp	00MDK96102300	CER. CAP.	1000PF 50V KC	CCUS1H102KC
COMP.	C847		nsp	00MDK96102300	CER. CAP.	1000PF 50V KC	CCUS1H102KC
COMP.	C851		nsp	00MEJ10601640	ELECT CAP.	10UF 16V KS	CCEA1CKS100T
COMP.	C852		nsp	00MOA10605020	ELECT CAP.	10UF 50V	CCEA1HH100T
COMP.	C853		nsp	00MOA10605020	ELECT CAP.	10UF 50V	CCEA1HH100T
COMP.	C854		nsp	00MOA10605020	ELECT CAP.	10UF 50V	CCEA1HH100T
COMP.	C856		nsp	00MOA10605020	ELECT CAP.	10UF 50V	CCEA1HH100T
COMP.	C857		nsp	00MOA10605020	ELECT CAP.	10UF 50V	CCEA1HH100T
COMP.	C858		nsp	00MOA10605020	ELECT CAP.	10UF 50V	CCEA1HH100T
COMP.	C859		nsp	00MOA10605020	ELECT CAP.	10UF 50V	CCEA1HH100T
COMP.	C860		nsp	00MOA10605020	ELECT CAP.	10UF 50V	CCEA1HH100T
COMP.	C861		nsp	00MOA10605020	ELECT CAP.	10UF 50V	CCEA1HH100T
COMP.	C862		nsp	00MOA10605020	ELECT CAP.	10UF 50V	CCEA1HH100T
COMP.	C863		nsp	00MOA10605020	ELECT CAP.	10UF 50V	CCEA1HH100T
COMP.	C871		nsp	00MOA47602520	ELECT CAP.	47UF 25V	CCEA1EH470T
COMP.	C872		nsp	00MDK96103300	CER. CAP.	0.01UF 50V KC	CCUS1H103KC
COMP.	C873		nsp	00MOA47602520	ELECT CAP.	47UF 25V	CCEA1EH470T
COMP.	C874		nsp	00MDK96103300	CER. CAP.	0.01UF 50V KC	CCUS1H103KC
COMP.	C875		nsp	00MOA47602520	ELECT CAP.	47UF 25V	CCEA1EH470T
COMP.	C876		nsp	00MDK96103300	CER. CAP.	0.01UF 50V KC	CCUS1H103KC
COMP.	C877		nsp	00MOA47602520	ELECT CAP.	47UF 25V	CCEA1EH470T
COMP.	C878		nsp	00MDK96103300	CER. CAP.	0.01UF 50V KC	CCUS1H103KC
COMP.	C879		nsp	00MOA47602520	ELECT CAP.	47UF 25V	CCEA1EH470T
COMP.	C880		nsp	00MDK96103300	CER. CAP.	0.01UF 50V KC	CCUS1H103KC
COMP.	C881		nsp	00MOA47602520	ELECT CAP.	47UF 25V	CCEA1EH470T
COMP.	C882		nsp	00MDK96103300	CER. CAP.	0.01UF 50V KC	CCUS1H103KC
COMP.	C883		nsp	00MOA47602520	ELECT CAP.	47UF 25V	CCEA1EH470T
COMP.	C884		nsp	00MDK96103300	CER. CAP.	0.01UF 50V KC	CCUS1H103KC
COMP.	C885		nsp	00MOA47602520	ELECT CAP.	47UF 25V	CCEA1EH470T
COMP.	C886		nsp	00MDK96103300	CER. CAP.	0.01UF 50V KC	CCUS1H103KC
COMP.	C887		nsp	00MOA10505020	ELECT CAP.	1UF 50V	CCEA1HH1R0T
COMP.	C888		nsp	00MOA10505020	ELECT CAP.	1UF 50V	CCEA1HH1R0T
COMP.	C889		nsp	00MOA10505020	ELECT CAP.	1UF 50V	CCEA1HH1R0T
COMP.	C890		nsp	00MOA10505020	ELECT CAP.	1UF 50V	CCEA1HH1R0T
COMP.	C891		nsp	00MOA10505020	ELECT CAP.	1UF 50V	CCEA1HH1R0T
COMP.	C892		nsp	00MOA10505020	ELECT CAP.	1UF 50V	CCEA1HH1R0T
COMP.	C893		nsp	00MDK96104300	CER. CAP.	0.1UF 50V K	CCUS1H104KC
COMP.	C899		nsp	00MDK96104300	CER. CAP.	0.1UF 50V K	CCUS1H104KC
COMP.	C901		nsp	00MEJ10505010	ELECT CAP.	1UF 50V	CCEA1HKS1R0T
COMP.	C902		nsp	00MEJ10505010	ELECT CAP.	1UF 50V	CCEA1HKS1R0T
COMP.	C903		nsp	00MOA10505020	ELECT CAP.	1UF 50V	CCEA1HH1R0T
COMP.	C904		nsp	00MOA10505020	ELECT CAP.	1UF 50V	CCEA1HH1R0T
COMP.	C905		nsp	00MOA10505020	ELECT CAP.	1UF 50V	CCEA1HH1R0T
COMP.	C906		nsp	00MOA10505020	ELECT CAP.	1UF 50V	CCEA1HH1R0T
COMP.	C907		nsp	00MDK96103300	CER. CAP.	0.01UF 50V KC	CCUS1H103KC
COMP.	C908		nsp	00MOA47602520	ELECT CAP.	47UF 25V	CCEA1EH470T
COMP.	C909		nsp	00MOA47602520	ELECT CAP.	47UF 25V	CCEA1EH470T
COMP.	C910		nsp	00MDK96103300	CER. CAP.	0.01UF 50V KC	CCUS1H103KC
COMP.	C911		nsp	00MOA47602520	ELECT CAP.	47UF 25V	CCEA1EH470T
COMP.	C912		nsp	00MDK96103300	CER. CAP.	0.01UF 50V KC	CCUS1H103KC
COMP.	C913		nsp	00MOA47602520	ELECT CAP.	47UF 25V	CCEA1EH470T
COMP.	C914		nsp	00MDK96103300	CER. CAP.	0.01UF 50V KC	CCUS1H103KC
COMP.	C915		nsp	00MOA10505020	ELECT CAP.	1UF 50V	CCEA1HH1R0T
COMP.	C916		nsp	00MOA10505020	ELECT CAP.	1UF 50V	CCEA1HH1R0T
COMP.	C917		nsp	00MOA10505020	ELECT CAP.	1UF 50V	CCEA1HH1R0T
COMP.	C918		nsp	00MDK96103300	CER. CAP.	0.01UF 50V KC	CCUS1H103KC
COMP.	C919		nsp	00MOA47602520	ELECT CAP.	47UF 25V	CCEA1EH470T

NOTE : *nsp* PART IS LISTED FOR REFERENCE ONLY, MARANTZ WILL NOT SUPPLY THESE PARTS.

P.W.B. NAME	POS. NO.	VERS. COLOR	PART NO. (FOR EUR)	PART NO. (MZ)	PART NAME	DESCRIPTION	
COMP.	C920		nsp	00MOA47602520	ELECT CAP.	47UF 25V	CCEA1EH470T
COMP.	C921		nsp	00MDK96103300	CER. CAP.	0.01UF 50V KC	CCUS1H103KC
COMP.	C922		nsp	00MOA47602520	ELECT CAP.	47UF 25V	CCEA1EH470T
COMP.	C923		nsp	00MDK96103300	CER. CAP.	0.01UF 50V KC	CCUS1H103KC
COMP.	C924		nsp	00MOA47602520	ELECT CAP.	47UF 25V	CCEA1EH470T
COMP.	C925		nsp	00MDK96103300	CER. CAP.	0.01UF 50V KC	CCUS1H103KC
COMP.	C926		nsp	00MOA10505020	ELECT CAP.	1UF 50V	CCEA1HH1R0T
COMP.	C927		nsp	00MOA10505020	ELECT CAP.	1UF 50V	CCEA1HH1R0T
COMP.	C928		nsp	00MOA10505020	ELECT CAP.	1UF 50V	CCEA1HH1R0T
COMP.	C929		nsp	00MDK96103300	CER. CAP.	0.01UF 50V KC	CCUS1H103KC
COMP.	C930		nsp	00MOA47602520	ELECT CAP.	47UF 25V	CCEA1EH470T
COMP.	C931		nsp	00MOA47602520	ELECT CAP.	47UF 25V	CCEA1EH470T
COMP.	C932		nsp	00MDK96103300	CER. CAP.	0.01UF 50V KC	CCUS1H103KC
COMP.	C933		nsp	00MOA47602520	ELECT CAP.	47UF 25V	CCEA1EH470T
COMP.	C934		nsp	00MDK96103300	CER. CAP.	0.01UF 50V KC	CCUS1H103KC
COMP.	C935		nsp	00MOA47602520	ELECT CAP.	47UF 25V	CCEA1EH470T
COMP.	C936		nsp	00MDK96103300	CER. CAP.	0.01UF 50V KC	CCUS1H103KC
COMP.	C937		nsp	00MOA47701020	ELECT CAP.	470UF 10V	CCEA1AH471T
COMP.	C938		nsp	00MDK96103300	CER. CAP.	0.01UF 50V KC	CCUS1H103KC
COMP.	C939		nsp	00MOA47701020	ELECT CAP.	470UF 10V	CCEA1AH471T
COMP.	C940		nsp	00MDK96103300	CER. CAP.	0.01UF 50V KC	CCUS1H103KC
COMP.	C941		nsp	00MOA47701020	ELECT CAP.	470UF 10V	CCEA1AH471T
COMP.	C942		nsp	00MDK96103300	CER. CAP.	0.01UF 50V KC	CCUS1H103KC
COMP.	C943		nsp	00MDK96103300	CER. CAP.	0.01UF 50V KC	CCUS1H103KC
COMP.	C944		nsp	00MOA47602520	ELECT CAP.	47UF 25V	CCEA1EH470T
COMP.	C945		nsp	00MDK96103300	CER. CAP.	0.01UF 50V KC	CCUS1H103KC
COMP.	C946		nsp	00MDK96103300	CER. CAP.	0.01UF 50V KC	CCUS1H103KC
COMP.	C947		nsp	00MOA10701620	ELECT CAP.	100UF 16V	CCEA1CH101T
COMP.	C948		nsp	00MDK96103300	CER. CAP.	0.01UF 50V KC	CCUS1H103KC
COMP.	C949		nsp	00MOA10701620	ELECT CAP.	100UF 16V	CCEA1CH101T
COMP.	C950		nsp	00MDK96103300	CER. CAP.	0.01UF 50V KC	CCUS1H103KC
COMP.	C951		nsp	00MOA47602520	ELECT CAP.	47UF 25V	CCEA1EH470T
COMP.	C952		nsp	00MOA47602520	ELECT CAP.	47UF 25V	CCEA1EH470T
COMP.	C953		nsp	00MDK96103300	CER. CAP.	0.01UF 50V KC	CCUS1H103KC
COMP.	C954		nsp	00MOA47602520	ELECT CAP.	47UF 25V	CCEA1EH470T
COMP.	C955		nsp	00MOA47602520	ELECT CAP.	47UF 25V	CCEA1EH470T
COMP.	C956		nsp	00MOA47602520	ELECT CAP.	47UF 25V	CCEA1EH470T
COMP.	C957		nsp	00MOA47602520	ELECT CAP.	47UF 25V	CCEA1EH470T
COMP.	C961		nsp	00MOA10505020	ELECT CAP.	1UF 50V	CCEA1HH1R0T
COMP.	C962		nsp	00MOA10505020	ELECT CAP.	1UF 50V	CCEA1HH1R0T
COMP.	C963		nsp	00MOA10505020	ELECT CAP.	1UF 50V	CCEA1HH1R0T
COMP.	C964		nsp	00MOA10505020	ELECT CAP.	1UF 50V	CCEA1HH1R0T
COMP.	C965		nsp	00MEJ10505010	ELECT CAP.	1UF 50V	CCEA1HKS1R0T
COMP.	C966		nsp	00MOA10505020	ELECT CAP.	1UF 50V	CCEA1HH1R0T
COMP.	C967		nsp	00MOA10505020	ELECT CAP.	1UF 50V	CCEA1HH1R0T
COMP.	C968		nsp	00MOA10505020	ELECT CAP.	1UF 50V	CCEA1HH1R0T
COMP.	C969		nsp	00MOA10505020	ELECT CAP.	1UF 50V	CCEA1HH1R0T
COMP.	C970		nsp	00MEJ10505010	ELECT CAP.	1UF 50V	CCEA1HKS1R0T
COMP.	C971		nsp	00MDK96103300	CER. CAP.	0.01UF 50V KC	CCUS1H103KC
COMP.	C972		nsp	00MDK96103300	CER. CAP.	0.01UF 50V KC	CCUS1H103KC
COMP.	C973		nsp	00MDK96103300	CER. CAP.	0.01UF 50V KC	CCUS1H103KC
COMP.	C974		nsp	00MDK96103300	CER. CAP.	0.01UF 50V KC	CCUS1H103KC
COMP.	C975		nsp	00MDK96103300	CER. CAP.	0.01UF 50V KC	CCUS1H103KC
COMP.	C976		nsp	00MDK96103300	CER. CAP.	0.01UF 50V KC	CCUS1H103KC
COMP.	C977		nsp	00MOA10701620	ELECT CAP.	100UF 16V	CCEA1CH101T
COMP.	C978		nsp	00MOA10701620	ELECT CAP.	100UF 16V	CCEA1CH101T
COMP.	C979		nsp	00MOA47701020	ELECT CAP.	470UF 10V	CCEA1AH471T
COMP.	C980		nsp	00MOA47701020	ELECT CAP.	470UF 10V	CCEA1AH471T
COMP.	C981		nsp	00MOA47701020	ELECT CAP.	470UF 10V	CCEA1AH471T
COMP.	C982		nsp	00MDK96103300	CER. CAP.	0.01UF 50V KC	CCUS1H103KC
COMP.	C983		nsp	00MDK96103300	CER. CAP.	0.01UF 50V KC	CCUS1H103KC
COMP.	C984		nsp	00MDK96103300	CER. CAP.	0.01UF 50V KC	CCUS1H103KC
COMP.	C985		nsp	00MDK96104300	CER. CAP.	0.1UF 50V K	CCUS1H104KC
COMP.	C986		nsp	00MOA10505020	ELECT CAP.	1UF 50V	CCEA1HH1R0T
COMP.	C987		nsp	00MOA10505020	ELECT CAP.	1UF 50V	CCEA1HH1R0T
COMP.	C988		nsp	00MDK96103300	CER. CAP.	0.01UF 50V KC	CCUS1H103KC
COMP.	C989		nsp	00MOA47602520	ELECT CAP.	47UF 25V	CCEA1EH470T

NOTE : "nsp" PART IS LISTED FOR REFERENCE ONLY, MARANTZ WILL NOT SUPPLY THESE PARTS

P.W.B. NAME	POS. NO.	VERS. COLOR	PART NO. (FOR EUR)	PART NO. (MZ)	PART NAME	DESCRIPTION	
COMP.	C990		nsp	00MDK96103300	CER. CAP.	0.01UF 50V KC	CCUS1H103KC
COMP.	C991		nsp	00MOA47602520	ELECT CAP.	47UF 25V	CCEA1EH470T
COMP.	C992		nsp	00MDK96103300	CER. CAP.	0.01UF 50V KC	CCUS1H103KC
COMP.	C993		nsp	00MOA47602520	ELECT CAP.	47UF 25V	CCEA1EH470T
COMP.	C994		nsp	00MDK96103300	CER. CAP.	0.01UF 50V KC	CCUS1H103KC
COMP.	C995		nsp	00MOA47602520	ELECT CAP.	47UF 25V	CCEA1EH470T
COMP.	C996		nsp	00MOA47602520	ELECT CAP.	47UF 25V	CCEA1EH470T
COMP.	C997		nsp	00MDK96103300	CER. CAP.	0.01UF 50V KC	CCUS1H103KC
COMP.	C998		nsp	00MOA47602520	ELECT CAP.	47UF 25V	CCEA1EH470T
COMP.	C999		nsp	00MDK96103300	CER. CAP.	0.01UF 50V KC	CCUS1H103KC
COMP.	CN33		nsp	nsp	CONN.	11P WAFER FFC FCZ100E-11SSK	CJP11GA117ZY
COMP.	CN34		nsp	nsp	CONN.	7P STRAIGHT 20017WS-07	CJP07GA19ZY
COMP.	CN36		nsp	nsp	CONN.	2PIN CJP02GA19ZY	CJP02GA19ZY
COMP.	CN41		nsp	nsp	CONN.	17P WAFER FFC FCZ100E-17SSK	CJP17GA117ZY
COMP.	IC89		90M-HC109830R	90M-HC109830R	IC	NJM2584M	HVINJM2584MTE1
COMP.	IC90		90M-HC109830R	90M-HC109830R	IC	NJM2584M	HVINJM2584MTE1
COMP.	IC91		90M-HC109830R	90M-HC109830R	IC	NJM2584M	HVINJM2584MTE1
COMP.	IC92		90M-HC109830R	90M-HC109830R	IC	NJM2584M	HVINJM2584MTE1
COMP.	IC93		90M-HC109830R	90M-HC109830R	IC	NJM2584M	HVINJM2584MTE1
COMP.	IC94		00MHC10236090	00MHC10236090	IC	NJM2586AM	HVINJM2586AMTE1
COMP.	IC95		00MHC10239090	00MHC10239090	IC	NJM2581M	HVINJM2581MTE1
COMP.	IC96		90M-HC109830R	90M-HC109830R	IC	NJM2584M	HVINJM2584MTE1
COMP.	IC97		90M-HC109830R	90M-HC109830R	IC	NJM2584M	HVINJM2584MTE1
COMP.	IC98		90M-HC109830R	90M-HC109830R	IC	NJM2584M	HVINJM2584MTE1
COMP.	IC99		00MHC10236090	00MHC10236090	IC	NJM2586AM	HVINJM2586AMTE1
COMP.	JK91		90M-YT004360R	90M-YT004360R	TERMINAL	JACK BOARD GOLD PLATE	CJJ4R046Z
COMP.	JK92		90M-YT004360R	90M-YT004360R	TERMINAL	JACK BOARD GOLD PLATE	CJJ4R046Z
COMP.	JK93		90M-YT004360R	90M-YT004360R	TERMINAL	JACK BOARD GOLD PLATE	CJJ4R046Z
COMP.	Q851		90M-HT800110R	90M-HT800110R	TRS.	KTC4075GR	HVTKTC4075GR
COMP.	Q852		90M-HT800110R	90M-HT800110R	TRS.	KTC4075GR	HVTKTC4075GR
COMP.	Q853		90M-HT800110R	90M-HT800110R	TRS.	KTC4075GR	HVTKTC4075GR
COMP.	Q854		90M-HT800110R	90M-HT800110R	TRS.	KTC4075GR	HVTKTC4075GR
COMP.	Q855		90M-HT800110R	90M-HT800110R	TRS.	KTC4075GR	HVTKTC4075GR
COMP.	Q856		90M-HT800110R	90M-HT800110R	TRS.	KTC4075GR	HVTKTC4075GR
COMP.	Q857		90M-HT800110R	90M-HT800110R	TRS.	KTC4075GR	HVTKTC4075GR
COMP.	Q858		90M-HT800110R	90M-HT800110R	TRS.	KTC4075GR	HVTKTC4075GR
COMP.	Q859		90M-HT800110R	90M-HT800110R	TRS.	KTC4075GR	HVTKTC4075GR
COMP.	Q860		90M-HT800110R	90M-HT800110R	TRS.	KTC4075GR	HVTKTC4075GR
COMP.	Q861		90M-HT800110R	90M-HT800110R	TRS.	KTC4075GR	HVTKTC4075GR
COMP.	Q862		90M-HT800110R	90M-HT800110R	TRS.	KTC4075GR	HVTKTC4075GR
COMP.	R831		nsp	00MNN05471610	CHIP RES.	470 OHM 1/10W J	CRJ10DJ471T
COMP.	R832		nsp	00MNN05471610	CHIP RES.	470 OHM 1/10W J	CRJ10DJ471T
COMP.	R851		nsp	00MNN05223610	CHIP RES.	22K OHM 1/10W J	CRJ10DJ223T
COMP.	R852		nsp	00MNN05223610	CHIP RES.	22K OHM 1/10W J	CRJ10DJ223T
COMP.	R853		nsp	00MNN05102610	CHIP RES.	1K OHM 1/10W J	CRJ10DJ102T
COMP.	R854		nsp	00MNN05223610	CHIP RES.	22K OHM 1/10W J	CRJ10DJ223T
COMP.	R855		nsp	00MNN05223610	CHIP RES.	22K OHM 1/10W J	CRJ10DJ223T
COMP.	R856		nsp	00MNN05102610	CHIP RES.	1K OHM 1/10W J	CRJ10DJ102T
COMP.	R857		nsp	00MNN05223610	CHIP RES.	22K OHM 1/10W J	CRJ10DJ223T
COMP.	R858		nsp	00MNN05223610	CHIP RES.	22K OHM 1/10W J	CRJ10DJ223T
COMP.	R859		nsp	00MNN05102610	CHIP RES.	1K OHM 1/10W J	CRJ10DJ102T
COMP.	R860		nsp	00MNN05223610	CHIP RES.	22K OHM 1/10W J	CRJ10DJ223T
COMP.	R861		nsp	00MNN05223610	CHIP RES.	22K OHM 1/10W J	CRJ10DJ223T
COMP.	R862		nsp	00MNN05102610	CHIP RES.	1K OHM 1/10W J	CRJ10DJ102T
COMP.	R863		nsp	00MNN05223610	CHIP RES.	22K OHM 1/10W J	CRJ10DJ223T
COMP.	R864		nsp	00MNN05223610	CHIP RES.	22K OHM 1/10W J	CRJ10DJ223T
COMP.	R865		nsp	00MNN05102610	CHIP RES.	1K OHM 1/10W J	CRJ10DJ102T
COMP.	R866		nsp	00MNN05223610	CHIP RES.	22K OHM 1/10W J	CRJ10DJ223T
COMP.	R867		nsp	00MNN05223610	CHIP RES.	22K OHM 1/10W J	CRJ10DJ223T
COMP.	R868		nsp	00MNN05102610	CHIP RES.	1K OHM 1/10W J	CRJ10DJ102T
COMP.	R869		nsp	00MNN05223610	CHIP RES.	22K OHM 1/10W J	CRJ10DJ223T
COMP.	R870		nsp	00MNN05223610	CHIP RES.	22K OHM 1/10W J	CRJ10DJ223T
COMP.	R871		nsp	00MNN05102610	CHIP RES.	1K OHM 1/10W J	CRJ10DJ102T
COMP.	R872		nsp	00MNN05223610	CHIP RES.	22K OHM 1/10W J	CRJ10DJ223T
COMP.	R873		nsp	00MNN05223610	CHIP RES.	22K OHM 1/10W J	CRJ10DJ223T
COMP.	R874		nsp	00MNN05102610	CHIP RES.	1K OHM 1/10W J	CRJ10DJ102T
COMP.	R875		nsp	00MNN05223610	CHIP RES.	22K OHM 1/10W J	CRJ10DJ223T

NOTE : *nsp* PART IS LISTED FOR REFERENCE ONLY, MARANTZ WILL NOT SUPPLY THESE PARTS.

P.W.B. NAME	POS. NO.	VERS. COLOR	PART NO. (FOR EUR)	PART NO. (MZ)	PART NAME	DESCRIPTION
COMP.	R969		nsp	00MNN05470610	CHIP RES.	47 OHM 1/10W J CRJ10DJ470T
COMP.	R970		nsp	00MNN05470610	CHIP RES.	47 OHM 1/10W J CRJ10DJ470T
COMP.	R971		nsp	00MNN05470610	CHIP RES.	47 OHM 1/10W J CRJ10DJ470T
COMP.	R972		nsp	00MNN05470610	CHIP RES.	47 OHM 1/10W J CRJ10DJ470T
COMP.	R973		nsp	00MNN05750610	CHIP RES.	75 OHM 1/10W J CRJ10DJ750T
COMP.	R974		nsp	00MNN05471610	CHIP RES.	470 OHM 1/10W J CRJ10DJ471T
COMP.	R975		nsp	00MNN05471610	CHIP RES.	470 OHM 1/10W J CRJ10DJ471T
COMP.	R976		nsp	00MNN05471610	CHIP RES.	470 OHM 1/10W J CRJ10DJ471T
COMP.	R977		nsp	00MNN05471610	CHIP RES.	470 OHM 1/10W J CRJ10DJ471T
COMP.	R978		nsp	00MNN05470610	CHIP RES.	47 OHM 1/10W J CRJ10DJ470T
COMP.	R979		nsp	00MNN05470610	CHIP RES.	47 OHM 1/10W J CRJ10DJ470T
COMP.	R980		nsp	00MNN05470610	CHIP RES.	47 OHM 1/10W J CRJ10DJ470T
COMP.	R981		nsp	00MNN05470610	CHIP RES.	47 OHM 1/10W J CRJ10DJ470T
COMP.	R982		nsp	00MNN05470610	CHIP RES.	47 OHM 1/10W J CRJ10DJ470T
COMP.	R983		nsp	00MNN05470610	CHIP RES.	47 OHM 1/10W J CRJ10DJ470T
COMP.	R984		nsp	00MNN05471610	CHIP RES.	470 OHM 1/10W J CRJ10DJ471T
COMP.	R985		nsp	00MNN05471610	CHIP RES.	470 OHM 1/10W J CRJ10DJ471T
COMP.	R986		nsp	00MNN05471610	CHIP RES.	470 OHM 1/10W J CRJ10DJ471T
COMP.	R987		nsp	00MNN05471610	CHIP RES.	470 OHM 1/10W J CRJ10DJ471T
COMP.	R988		nsp	00MNN05105610	CHIP RES.	1M OHM 1/10W J CRJ10DJ105T
COMP.	R989		nsp	00MNN05105610	CHIP RES.	1M OHM 1/10W J CRJ10DJ105T
COMP.	R990		nsp	00MNN05470610	CHIP RES.	47 OHM 1/10W J CRJ10DJ470T
COMP.	R991		nsp	00MNN05470610	CHIP RES.	47 OHM 1/10W J CRJ10DJ470T
COMP.	R992		nsp	00MNN05470610	CHIP RES.	47 OHM 1/10W J CRJ10DJ470T
COMP.	R993		nsp	00MNN05105610	CHIP RES.	1M OHM 1/10W J CRJ10DJ105T
COMP.	R994		nsp	00MNN05105610	CHIP RES.	1M OHM 1/10W J CRJ10DJ105T
COMP.	R995		nsp	00MNN05470610	CHIP RES.	47 OHM 1/10W J CRJ10DJ470T
COMP.	R996		nsp	00MNN05470610	CHIP RES.	47 OHM 1/10W J CRJ10DJ470T
COMP.	R997		nsp	00MNN05470610	CHIP RES.	47 OHM 1/10W J CRJ10DJ470T
					DSP PWB (CUP12075Z)	
DSP	BN57		nsp	nsp	CORD	7P WIRE ASSY(180MM 2.5MM) CWB1B007180BM
DSP	BN66		nsp	nsp	CORD	3P WIRE ASSY(300MM 2.5MM) CWB1C003300BM
DSP	BN67	/U1B	nsp	nsp	CORD	2P WIRE ASSY(250MM 2.0MM) CWB1B002250EN
DSP	BN70		nsp	nsp	CORD	11P WIRE ASSY(300MM 2.0MM) CWB1A011300EN
DSP	BN74		nsp	nsp	CORD	2P WIRE ASSY(550MM 2.0MM) CWZAV8003BN74
DSP	BN75		nsp	nsp	CORD	WIRE ASSY CWZSR8001BN85
DSP	BN92	/U1B	nsp	nsp	CORD	2P WIRE ASSY(150MM 2.0MM) CWB1C002150EN
DSP	C100		nsp	00MDD95101300	CER. CAP.	100PF 50V JA CCUS1H101JA
DSP	C101		nsp	00MDK96104300	CER. CAP.	0.1UF 50V K CCUS1H104KC
DSP	C102		nsp	00MOA22605020	ELECT CAP.	22UF 50V CCEA1HH220T
DSP	C103		nsp	00MOA10605020	ELECT CAP.	10UF 50V CCEA1HH100T
DSP	C104		nsp	90M-OA000230R	ELECT CAP.	22UF 25V ROA-25V220MF3#- HCEA1EROA220T
DSP	C105		nsp	00MOA22605020	ELECT CAP.	22UF 50V CCEA1HH220T
DSP	C106		nsp	00MDK96104300	CER. CAP.	0.1UF 50V K CCUS1H104KC
DSP	C107		nsp	00MOA10701620	ELECT CAP.	100UF 16V CCEA1CH101T
DSP	C108		nsp	00MDK96272300	CER. CAP.	2700PF 50V KC CCUS1H272KC
DSP	C109		nsp	00MDK96104300	CER. CAP.	0.1UF 50V K CCUS1H104KC
DSP	C110		nsp	90M-OA000230R	ELECT CAP.	22UF 25V ROA-25V220MF3#- HCEA1EROA220T
DSP	C111		nsp	00MDK96104300	CER. CAP.	0.1UF 50V K CCUS1H104KC
DSP	C112		nsp	00MDK96272300	CER. CAP.	2700PF 50V KC CCUS1H272KC
DSP	C113		nsp	00MDD95151300	CER. CAP.	150PF 50V JA CCUS1H151JA
DSP	C114		nsp	00MDK96104300	CER. CAP.	0.1UF 50V K CCUS1H104KC
DSP	C115		nsp	00MDK96104300	CER. CAP.	0.1UF 50V K CCUS1H104KC
DSP	C116		nsp	00MDK96104300	CER. CAP.	0.1UF 50V K CCUS1H104KC
DSP	C117		nsp	00MOA22605020	ELECT CAP.	22UF 50V CCEA1HH220T
DSP	C118		nsp	00MDD95101300	CER. CAP.	100PF 50V JA CCUS1H101JA
DSP	C119		nsp	00MOA47602520	ELECT CAP.	47UF 25V CCEA1EH470T
DSP	C120		nsp	00MOA10505020	ELECT CAP.	1UF 50V CCEA1HH1R0T
DSP	C121		nsp	00MDK96104300	CER. CAP.	0.1UF 50V K CCUS1H104KC
DSP	C122		nsp	00MDK96104300	CER. CAP.	0.1UF 50V K CCUS1H104KC
DSP	C123		nsp	00MOA10705020	ELECT CAP.	100UF 50V RA2-50V101MG3#8 CCEA1HRA101T
DSP	C124		nsp	00MDK96104300	CER. CAP.	0.1UF 50V K CCUS1H104KC
DSP	C125		nsp	00MOA22605020	ELECT CAP.	22UF 50V CCEA1HH220T
DSP	C126		nsp	00MDK96104300	CER. CAP.	0.1UF 50V K CCUS1H104KC
DSP	C127		nsp	00MDK96104300	CER. CAP.	0.1UF 50V K CCUS1H104KC
DSP	C128		nsp	00MOA22605020	ELECT CAP.	22UF 50V CCEA1HH220T
DSP	C129		nsp	00MDK96104300	CER. CAP.	0.1UF 50V K CCUS1H104KC

NOTE : *nsp* PART IS LISTED FOR REFERENCE ONLY, MARANTZ WILL NOT SUPPLY THESE PARTS.

P.W.B. NAME	POS. NO.	VERS. COLOR	PART NO. (FOR EUR)	PART NO. (MZ)	PART NAME	DESCRIPTION	
DSP	C130		nsp	00MOA22605020	ELECT CAP.	22UF 50V	CCEA1HH220T
DSP	C134		nsp	00MDK96182300	CER. CAP.	1800PF/50V/1608/X7R	CCUS1H182KC
DSP	C135		nsp	00MDD95331300	CER. CAP.	330PF 50V JA	CCUS1H331JA
DSP	C136		nsp	00MDD95331300	CER. CAP.	330PF 50V JA	CCUS1H331JA
DSP	C137		nsp	00MDK96182300	CER. CAP.	1800PF/50V/1608/X7R	CCUS1H182KC
DSP	C138		nsp	00MDK96182300	CER. CAP.	1800PF/50V/1608/X7R	CCUS1H182KC
DSP	C139		nsp	00MDK96104300	CER. CAP.	0.1UF 50V K	CCUS1H104KC
DSP	C140		nsp	00MDD95101300	CER. CAP.	100PF 50V JA	CCUS1H101JA
DSP	C141		nsp	00MDD95331300	CER. CAP.	330PF 50V JA	CCUS1H331JA
DSP	C142		nsp	90M-OA000230R	ELECT CAP.	22UF 25V ROA-25V220MF3#-	HCEA1EROA220T
DSP	C143		nsp	00MDK96182300	CER. CAP.	1800PF/50V/1608/X7R	CCUS1H182KC
DSP	C144		nsp	00MDK96182300	CER. CAP.	1800PF/50V/1608/X7R	CCUS1H182KC
DSP	C145		nsp	90M-OA000230R	ELECT CAP.	22UF 25V ROA-25V220MF3#-	HCEA1EROA220T
DSP	C146		nsp	00MDK96104300	CER. CAP.	0.1UF 50V K	CCUS1H104KC
DSP	C147		nsp	00MDD95151300	CER. CAP.	150PF 50V JA	CCUS1H151JA
DSP	C148		nsp	00MDD95331300	CER. CAP.	330PF 50V JA	CCUS1H331JA
DSP	C149		nsp	00MDD95331300	CER. CAP.	330PF 50V JA	CCUS1H331JA
DSP	C150		nsp	00MDK96104300	CER. CAP.	0.1UF 50V K	CCUS1H104KC
DSP	C151		nsp	90M-OA000230R	ELECT CAP.	22UF 25V ROA-25V220MF3#-	HCEA1EROA220T
DSP	C152		nsp	00MDK96182300	CER. CAP.	1800PF/50V/1608/X7R	CCUS1H182KC
DSP	C153		nsp	00MDK96182300	CER. CAP.	1800PF/50V/1608/X7R	CCUS1H182KC
DSP	C154		nsp	90M-OA000230R	ELECT CAP.	22UF 25V ROA-25V220MF3#-	HCEA1EROA220T
DSP	C155		nsp	00MDD95331300	CER. CAP.	330PF 50V JA	CCUS1H331JA
DSP	C156		nsp	00MDK96104300	CER. CAP.	0.1UF 50V K	CCUS1H104KC
DSP	C157		nsp	00MDK96182300	CER. CAP.	1800PF/50V/1608/X7R	CCUS1H182KC
DSP	C158		nsp	00MDK96182300	CER. CAP.	1800PF/50V/1608/X7R	CCUS1H182KC
DSP	C159		nsp	00MDD95331300	CER. CAP.	330PF 50V JA	CCUS1H331JA
DSP	C160		nsp	00MDD95331300	CER. CAP.	330PF 50V JA	CCUS1H331JA
DSP	C161		nsp	00MDK96182300	CER. CAP.	1800PF/50V/1608/X7R	CCUS1H182KC
DSP	C162		nsp	00MDK96182300	CER. CAP.	1800PF/50V/1608/X7R	CCUS1H182KC
DSP	C163		nsp	00MDD95331300	CER. CAP.	330PF 50V JA	CCUS1H331JA
DSP	C164		nsp	00MDK96104300	CER. CAP.	0.1UF 50V K	CCUS1H104KC
DSP	C165		nsp	90M-OA000230R	ELECT CAP.	22UF 25V ROA-25V220MF3#-	HCEA1EROA220T
DSP	C166		nsp	00MDK96182300	CER. CAP.	1800PF/50V/1608/X7R	CCUS1H182KC
DSP	C167		nsp	00MDK96182300	CER. CAP.	1800PF/50V/1608/X7R	CCUS1H182KC
DSP	C168		nsp	90M-OA000230R	ELECT CAP.	22UF 25V ROA-25V220MF3#-	HCEA1EROA220T
DSP	C169		nsp	00MDD95331300	CER. CAP.	330PF 50V JA	CCUS1H331JA
DSP	C170		nsp	00MDK96104300	CER. CAP.	0.1UF 50V K	CCUS1H104KC
DSP	C171		nsp	00MDK96182300	CER. CAP.	1800PF/50V/1608/X7R	CCUS1H182KC
DSP	C172		nsp	00MDK96182300	CER. CAP.	1800PF/50V/1608/X7R	CCUS1H182KC
DSP	C173		nsp	00MDD95331300	CER. CAP.	330PF 50V JA	CCUS1H331JA
DSP	C174		nsp	00MDD95331300	CER. CAP.	330PF 50V JA	CCUS1H331JA
DSP	C175		nsp	00MDK96182300	CER. CAP.	1800PF/50V/1608/X7R	CCUS1H182KC
DSP	C176		nsp	00MDK96182300	CER. CAP.	1800PF/50V/1608/X7R	CCUS1H182KC
DSP	C177		nsp	00MDD95331300	CER. CAP.	330PF 50V JA	CCUS1H331JA
DSP	C178		nsp	00MDK96104300	CER. CAP.	0.1UF 50V K	CCUS1H104KC
DSP	C179		nsp	90M-OA000230R	ELECT CAP.	22UF 25V ROA-25V220MF3#-	HCEA1EROA220T
DSP	C180		nsp	00MDK96182300	CER. CAP.	1800PF/50V/1608/X7R	CCUS1H182KC
DSP	C181		nsp	00MDK96182300	CER. CAP.	1800PF/50V/1608/X7R	CCUS1H182KC
DSP	C182		nsp	90M-OA000230R	ELECT CAP.	22UF 25V ROA-25V220MF3#-	HCEA1EROA220T
DSP	C183		nsp	00MDD95331300	CER. CAP.	330PF 50V JA	CCUS1H331JA
DSP	C184		nsp	00MDK96104300	CER. CAP.	0.1UF 50V K	CCUS1H104KC
DSP	C185		nsp	00MDK96182300	CER. CAP.	1800PF/50V/1608/X7R	CCUS1H182KC
DSP	C186		nsp	00MDK96182300	CER. CAP.	1800PF/50V/1608/X7R	CCUS1H182KC
DSP	C187		nsp	00MDD95331300	CER. CAP.	330PF 50V JA	CCUS1H331JA
DSP	C188		nsp	00MDD95331300	CER. CAP.	330PF 50V JA	CCUS1H331JA
DSP	C189		nsp	00MOA22605020	ELECT CAP.	22UF 50V	CCEA1HH220T
DSP	C190		nsp	00MDK96182300	CER. CAP.	1800PF/50V/1608/X7R	CCUS1H182KC
DSP	C191		nsp	00MDK96182300	CER. CAP.	1800PF/50V/1608/X7R	CCUS1H182KC
DSP	C192		nsp	00MOA22605020	ELECT CAP.	22UF 50V	CCEA1HH220T
DSP	C193		nsp	00MDK96104300	CER. CAP.	0.1UF 50V K	CCUS1H104KC
DSP	C195		nsp	00MDK96104300	CER. CAP.	0.1UF 50V K	CCUS1H104KC
DSP	C197		nsp	00MDK96104300	CER. CAP.	0.1UF 50V K	CCUS1H104KC
DSP	C198		nsp	00MDK96104300	CER. CAP.	0.1UF 50V K	CCUS1H104KC
DSP	C199		nsp	00MOA10605020	ELECT CAP.	10UF 50V	CCEA1HH100T
DSP	C200		nsp	00MDD95471300	CER. CAP.	470PF 50V JA	CCUS1H471JA
DSP	C201		nsp	00MDD9515030R	CER. CAP.	15PF 50V JA	CCUS1H150JA

NOTE : "nsp" PART IS LISTED FOR REFERENCE ONLY, MARANTZ WILL NOT SUPPLY THESE PARTS

P.W.B. NAME	POS. NO.	VERS. COLOR	PART NO. (FOR EUR)	PART NO. (MZ)	PART NAME	DESCRIPTION
DSP	C202		nsp	00MDD9515030R	CER. CAP.	15PF 50V JA CCUS1H150JA
DSP	C203		nsp	00MDD95471300	CER. CAP.	470PF 50V JA CCUS1H471JA
DSP	C204		nsp	00MDK96104300	CER. CAP.	0.1UF 50V K CCUS1H104KC
DSP	C205		nsp	00MDK96104300	CER. CAP.	0.1UF 50V K CCUS1H104KC
DSP	C206		nsp	00MDK96104300	CER. CAP.	0.1UF 50V K CCUS1H104KC
DSP	C207		nsp	00MDK96104300	CER. CAP.	0.1UF 50V K CCUS1H104KC
DSP	C208		nsp	00MDK96104300	CER. CAP.	0.1UF 50V K CCUS1H104KC
DSP	C209		nsp	00MDK96104300	CER. CAP.	0.1UF 50V K CCUS1H104KC
DSP	C210		nsp	00MDK96104300	CER. CAP.	0.1UF 50V K CCUS1H104KC
DSP	C211		nsp	00MDK96104300	CER. CAP.	0.1UF 50V K CCUS1H104KC
DSP	C212		nsp	00MDK96104300	CER. CAP.	0.1UF 50V K CCUS1H104KC
DSP	C213		nsp	00MDK96104300	CER. CAP.	0.1UF 50V K CCUS1H104KC
DSP	C214		nsp	00MDK96104300	CER. CAP.	0.1UF 50V K CCUS1H104KC
DSP	C215		nsp	00MDK96104300	CER. CAP.	0.1UF 50V K CCUS1H104KC
DSP	C216		nsp	00MDK96104300	CER. CAP.	0.1UF 50V K CCUS1H104KC
DSP	C217		nsp	00MDK96104300	CER. CAP.	0.1UF 50V K CCUS1H104KC
DSP	C218		nsp	00MDK96104300	CER. CAP.	0.1UF 50V K CCUS1H104KC
DSP	C219		nsp	00MDK96104300	CER. CAP.	0.1UF 50V K CCUS1H104KC
DSP	C220		nsp	00MDK96104300	CER. CAP.	0.1UF 50V K CCUS1H104KC
DSP	C221		nsp	00MDK96104300	CER. CAP.	0.1UF 50V K CCUS1H104KC
DSP	C222		nsp	00MDK96104300	CER. CAP.	0.1UF 50V K CCUS1H104KC
DSP	C223		nsp	00MDK96104300	CER. CAP.	0.1UF 50V K CCUS1H104KC
DSP	C224		nsp	00MDK96104300	CER. CAP.	0.1UF 50V K CCUS1H104KC
DSP	C225		nsp	00MDK96104300	CER. CAP.	0.1UF 50V K CCUS1H104KC
DSP	C226		nsp	00MDK96104300	CER. CAP.	0.1UF 50V K CCUS1H104KC
DSP	C227		nsp	00MDK96104300	CER. CAP.	0.1UF 50V K CCUS1H104KC
DSP	C228		nsp	00MDK96104300	CER. CAP.	0.1UF 50V K CCUS1H104KC
DSP	C229		nsp	00MDK96104300	CER. CAP.	0.1UF 50V K CCUS1H104KC
DSP	C230		nsp	00MDK96104300	CER. CAP.	0.1UF 50V K CCUS1H104KC
DSP	C231		nsp	00MDK96104300	CER. CAP.	0.1UF 50V K CCUS1H104KC
DSP	C232		nsp	00MDK96104300	CER. CAP.	0.1UF 50V K CCUS1H104KC
DSP	C233		nsp	00MDK96104300	CER. CAP.	0.1UF 50V K CCUS1H104KC
DSP	C234		nsp	00MDK96104300	CER. CAP.	0.1UF 50V K CCUS1H104KC
DSP	C235		nsp	00MDK96104300	CER. CAP.	0.1UF 50V K CCUS1H104KC
DSP	C236		nsp	00MDK96104300	CER. CAP.	0.1UF 50V K CCUS1H104KC
DSP	C237		nsp	00MDK96182300	CER. CAP.	1800PF/50V/1608/X7R CCUS1H182KC
DSP	C238		nsp	00MDD95101300	CER. CAP.	100PF 50V JA CCUS1H101JA
DSP	C240		nsp	90M-OA000230R	ELECT CAP.	22UF 25V ROA-25V220MF3#- HCEA1EROA220T
DSP	C263		nsp	00MDK96104300	CER. CAP.	0.1UF 50V K CCUS1H104KC
DSP	C275		nsp	00MDK96103300	CER. CAP.	0.01UF 50V KC CCUS1H103KC
DSP	C276		nsp	00MDD95330300	CER. CAP.	33PF 50V JA CCUS1H330JA
DSP	C277		nsp	00MOA47602520	ELECT CAP.	47UF 25V CCEA1EH470T
DSP	C278		nsp	00MDD95330300	CER. CAP.	33PF 50V JA CCUS1H330JA
DSP	C279		nsp	00MOA47602520	ELECT CAP.	47UF 25V CCEA1EH470T
DSP	C280		nsp	00MDK96103300	CER. CAP.	0.01UF 50V KC CCUS1H103KC
DSP	C281		nsp	00MDD95101300	CER. CAP.	100PF 50V JA CCUS1H101JA
DSP	C288		nsp	00MDK96104300	CER. CAP.	0.1UF 50V K CCUS1H104KC
DSP	C307		nsp	00MDD95101300	CER. CAP.	100PF 50V JA CCUS1H101JA
DSP	C308		nsp	00MDK96104300	CER. CAP.	0.1UF 50V K CCUS1H104KC
DSP	C310		nsp	00MOA47602520	ELECT CAP.	47UF 25V CCEA1EH470T
DSP	C311		nsp	00MDK96103300	CER. CAP.	0.01UF 50V KC CCUS1H103KC
DSP	C312		nsp	00MDK96104300	CER. CAP.	0.1UF 50V K CCUS1H104KC
DSP	C313		nsp	00MDK96103300	CER. CAP.	0.01UF 50V KC CCUS1H103KC
DSP	C314		nsp	00MOA47602520	ELECT CAP.	47UF 25V CCEA1EH470T
DSP	C315		nsp	00MDK96104300	CER. CAP.	0.1UF 50V K CCUS1H104KC
DSP	C316		nsp	00MDK96104300	CER. CAP.	0.1UF 50V K CCUS1H104KC
DSP	C318		nsp	00MDK96104300	CER. CAP.	0.1UF 50V K CCUS1H104KC
DSP	C326		nsp	00MDD95101300	CER. CAP.	100PF 50V JA CCUS1H101JA
DSP	C327		nsp	00MOA22605020	ELECT CAP.	22UF 50V RA2-50V220ME3#8 CCEA1HRA220T
DSP	C328		nsp	00MDK96104300	CER. CAP.	0.1UF 50V K CCUS1H104KC
DSP	C329		nsp	00MDK96104300	CER. CAP.	0.1UF 50V K CCUS1H104KC
DSP	C330		nsp	00MDD95120300	CER. CAP.	12PF 50V JA CCUS1H120JA
DSP	C331		nsp	00MDD9515030R	CER. CAP.	15PF 50V JA CCUS1H150JA
DSP	C332		nsp	00MOA22605020	ELECT CAP.	22UF 50V RA2-50V220ME3#8 CCEA1HRA220T
DSP	C333		nsp	00MDK96104300	CER. CAP.	0.1UF 50V K CCUS1H104KC
DSP	C334		nsp	00MOA22605020	ELECT CAP.	22UF 50V RA2-50V220ME3#8 CCEA1HRA220T
DSP	C335		nsp	00MDK96104300	CER. CAP.	0.1UF 50V K CCUS1H104KC

NOTE : *nsp* PART IS LISTED FOR REFERENCE ONLY, MARANTZ WILL NOT SUPPLY THESE PARTS.

P.W.B. NAME	POS. NO.	VERS. COLOR	PART NO. (FOR EUR)	PART NO. (MZ)	PART NAME	DESCRIPTION	
DSP	C336		nsp	00MOA10705020	ELECT CAP.	100UF 50V RA2-50V101MG3#8	CCEA1HRA101T
DSP	C337		nsp	00MDK96104300	CER. CAP.	0.1UF 50V K	CCUS1H104KC
DSP	C338		nsp	00MDK98223300	CER. CAP.	0.022UF 50V KC	CCUS1H223KC
DSP	C339		nsp	00MDK96104300	CER. CAP.	0.1UF 50V K	CCUS1H104KC
DSP	C340		nsp	00MDK96104300	CER. CAP.	0.1UF 50V K	CCUS1H104KC
DSP	C341		nsp	00MOA22605020	ELECT CAP.	22UF 50V RA2-50V220ME3#8	CCEA1HRA220T
DSP	C342		nsp	00MDK96104300	CER. CAP.	0.1UF 50V K	CCUS1H104KC
DSP	C343		nsp	00MDK96104300	CER. CAP.	0.1UF 50V K	CCUS1H104KC
DSP	C371		nsp	00MDD95101300	CER. CAP.	100PF 50V JA	CCUS1H101JA
DSP	C375		nsp	00MDK96104300	CER. CAP.	0.1UF 50V K	CCUS1H104KC
DSP	C376	/N1B	nsp	00MDK96104300	CER. CAP.	0.1UF 50V K	CCUS1H104KC
DSP	C377	/N1B	nsp	00MDK96104300	CER. CAP.	0.1UF 50V K	CCUS1H104KC
DSP	C378	/N1B	nsp	00MOA47701620	ELECT CAP.	470UF 16V ZF	CCEA1CH471T
DSP	C379	/U1B	nsp	00MOA10605020	ELECT CAP.	10UF 50V	CCEA1HH100T
DSP	C390		nsp	00MDK96102300	CER. CAP.	1000PF 50V KC	CCUS1H102KC
DSP	C391		nsp	00MDK96102300	CER. CAP.	1000PF 50V KC	CCUS1H102KC
DSP	C392		nsp	00MDK96102300	CER. CAP.	1000PF 50V KC	CCUS1H102KC
DSP	C393		nsp	00MDK96102300	CER. CAP.	1000PF 50V KC	CCUS1H102KC
DSP	C394		nsp	00MDK96102300	CER. CAP.	1000PF 50V KC	CCUS1H102KC
DSP	C395		nsp	00MDD95101300	CER. CAP.	100PF 50V JA	CCUS1H101JA
DSP	C396		nsp	00MDD95101300	CER. CAP.	100PF 50V JA	CCUS1H101JA
DSP	C397		nsp	00MDK96102300	CER. CAP.	1000PF 50V KC	CCUS1H102KC
DSP	C398		nsp	00MDK96102300	CER. CAP.	1000PF 50V KC	CCUS1H102KC
DSP	C399		nsp	00MDK96102300	CER. CAP.	1000PF 50V KC	CCUS1H102KC
DSP	C400		nsp	00MDK96102300	CER. CAP.	1000PF 50V KC	CCUS1H102KC
DSP	C401		nsp	00MDK96102300	CER. CAP.	1000PF 50V KC	CCUS1H102KC
DSP	C402		nsp	00MDK96102300	CER. CAP.	1000PF 50V KC	CCUS1H102KC
DSP	C403		nsp	nsp	CER. CAP.	1000PF 50V B	CCBS1H102KBT
DSP	CC10		nsp	00MDK96104300	CER. CAP.	0.1UF 50V K	CCUS1H104KC
DSP	CC11		nsp	00MDK96104300	CER. CAP.	0.1UF 50V K	CCUS1H104KC
DSP	CC12		nsp	00MDD95180300	CER. CAP.	18PF 50V JA	CCUS1H180JA
DSP	CC13		nsp	00MOA22605020	ELECT CAP.	22UF 50V	CCEA1HH220T
DSP	CC14		nsp	00MDD95330300	CER. CAP.	33PF 50V JA	CCUS1H330JA
DSP	CC15		nsp	00MDK96103300	CER. CAP.	0.01UF 50V KC	CCUS1H103KC
DSP	CC16		nsp	00MDK96103300	CER. CAP.	0.01UF 50V KC	CCUS1H103KC
DSP	CC17		nsp	00MDD95330300	CER. CAP.	33PF 50V JA	CCUS1H330JA
DSP	CC18		nsp	00MOA47602520	ELECT CAP.	47UF 25V	CCEA1EH470T
DSP	CC19		nsp	00MDK96103300	CER. CAP.	0.01UF 50V KC	CCUS1H103KC
DSP	CC20		nsp	00MDK96103300	CER. CAP.	0.01UF 50V KC	CCUS1H103KC
DSP	CC21		nsp	00MOA22605020	ELECT CAP.	22UF 50V	CCEA1HH220T
DSP	CC22		nsp	00MDK96103300	CER. CAP.	0.01UF 50V KC	CCUS1H103KC
DSP	CC23		nsp	00MDK96103300	CER. CAP.	0.01UF 50V KC	CCUS1H103KC
DSP	CC24		nsp	00MDK96104300	CER. CAP.	0.1UF 50V K	CCUS1H104KC
DSP	CC25		nsp	00MDK96103300	CER. CAP.	0.01UF 50V KC	CCUS1H103KC
DSP	CC26		nsp	00MDK96103300	CER. CAP.	0.01UF 50V KC	CCUS1H103KC
DSP	CC27		nsp	00MDK96104300	CER. CAP.	0.1UF 50V K	CCUS1H104KC
DSP	CC28		nsp	00MOA47602520	ELECT CAP.	47UF 25V	CCEA1EH470T
DSP	CC29		nsp	00MDK96104300	CER. CAP.	0.1UF 50V K	CCUS1H104KC
DSP	CC30		nsp	00MOA47602520	ELECT CAP.	47UF 25V	CCEA1EH470T
DSP	CC31		nsp	00MDK96104300	CER. CAP.	0.1UF 50V K	CCUS1H104KC
DSP	CC32		nsp	00MDK96104300	CER. CAP.	0.1UF 50V K	CCUS1H104KC
DSP	CC33		nsp	00MDD95270300	CER. CAP.	27PF 50V JA	CCUS1H270JA
DSP	CC34		nsp	00MDD95270300	CER. CAP.	27PF 50V JA	CCUS1H270JA
DSP	CC35		nsp	00MDK96104300	CER. CAP.	0.1UF 50V K	CCUS1H104KC
DSP	CC36		nsp	00MOA22605020	ELECT CAP.	22UF 50V	CCEA1HH220T
DSP	CC38		nsp	00MDK96104300	CER. CAP.	0.1UF 50V K	CCUS1H104KC
DSP	CC39		nsp	00MOA22605020	ELECT CAP.	22UF 50V	CCEA1HH220T
DSP	CC40		nsp	00MOA22605020	ELECT CAP.	22UF 50V	CCEA1HH220T
DSP	CC41		nsp	00MDK96104300	CER. CAP.	0.1UF 50V K	CCUS1H104KC
DSP	CC44		nsp	00MDK96104300	CER. CAP.	0.1UF 50V K	CCUS1H104KC
DSP	CC45		nsp	00MDK96104300	CER. CAP.	0.1UF 50V K	CCUS1H104KC
DSP	CC46		nsp	00MOA22605020	ELECT CAP.	22UF 50V	CCEA1HH220T
DSP	CC47		nsp	00MDK96104300	CER. CAP.	0.1UF 50V K	CCUS1H104KC
DSP	CC48		nsp	00MDK96104300	CER. CAP.	0.1UF 50V K	CCUS1H104KC
DSP	CC49		nsp	00MDK96102300	CER. CAP.	1000PF 50V KC	CCUS1H102KC
DSP	CC50		nsp	00MDK96104300	CER. CAP.	0.1UF 50V K	CCUS1H104KC
DSP	CC51		nsp	00MDK96102300	CER. CAP.	1000PF 50V KC	CCUS1H102KC

NOTE : "nsp" PART IS LISTED FOR REFERENCE ONLY, MARANTZ WILL NOT SUPPLY THESE PARTS

P.W.B. NAME	POS. NO.	VERS. COLOR	PART NO. (FOR EUR)	PART NO. (MZ)	PART NAME	DESCRIPTION	
DSP	CC52		nsp	00MDK96102300	CER. CAP.	1000PF 50V KC	CCUS1H102KC
DSP	CC53		nsp	00MDK96104300	CER. CAP.	0.1UF 50V K	CCUS1H104KC
DSP	CC54		nsp	00MDK96104300	CER. CAP.	0.1UF 50V K	CCUS1H104KC
DSP	CC56		nsp	00MDK96104300	CER. CAP.	0.1UF 50V K	CCUS1H104KC
DSP	CC57		nsp	00MDK96104300	CER. CAP.	0.1UF 50V K	CCUS1H104KC
DSP	CC58		nsp	00MDK96102300	CER. CAP.	1000PF 50V KC	CCUS1H102KC
DSP	CC59		nsp	00MDK96104300	CER. CAP.	0.1UF 50V K	CCUS1H104KC
DSP	CC60		nsp	00MDK96104300	CER. CAP.	0.1UF 50V K	CCUS1H104KC
DSP	CC61		nsp	00MDK96104300	CER. CAP.	0.1UF 50V K	CCUS1H104KC
DSP	CC62		nsp	00MDK96104300	CER. CAP.	0.1UF 50V K	CCUS1H104KC
DSP	CC63		nsp	00MOA22605020	ELECT CAP.	22UF 50V	CCEA1HH220T
DSP	CC64		nsp	00MDK96104300	CER. CAP.	0.1UF 50V K	CCUS1H104KC
DSP	CC65		nsp	00MOA22605020	ELECT CAP.	22UF 50V	CCEA1HH220T
DSP	CC66		nsp	00MDK96104300	CER. CAP.	0.1UF 50V K	CCUS1H104KC
DSP	CN15		nsp	nsp	CONN.	12P WAFER 2MM PITCH YDW200-12	CJP12GA147ZY
DSP	CN16	/U1B	nsp	nsp	CONN.	12P WAFER 2MM PITCH YDW200-12	CJP12GA147ZY
DSP	CN17		nsp	nsp	CONN.	3P STRAIGHT YMW025-03R	CJP03GA01ZY
DSP	CN62		nsp	nsp	CONN.	5P STRAIGHT 20017WS-05	CJP05GA19ZY
DSP	CN63		nsp	nsp	CONN.	17P WAFER FFC FCZ100E-17SSK	CJP17GA117ZY
DSP	CN65	/U1B	nsp	nsp	CONN.	15P WAFER FFC 12511HS-15	CJP15GA115ZY
DSP	CN68		nsp	nsp	CONN.	17P WAFER FFC FCZ100E-17SSK	CJP17GA117ZY
DSP	CN71		nsp	nsp	CONN.	17P WAFER FFC FCZ100E-17SSK	CJP17GA117ZY
DSP	CN73		nsp	nsp	CONN.	3P STRAIGHT 20017WS-03	CJP03GA19ZY
DSP	CN77		nsp	nsp	CONN.	3P STRAIGHT YMW025-03R	CJP03GA01ZY
DSP	CN78		nsp	nsp	CONN.	17P WAFER FFC 12511HS-17	CJP17GA115ZY
DSP	CN80		nsp	nsp	CONN.	13P WAFER STRAIGHT 20017WS-13	CJP13GA19ZY
DSP	CN81		nsp	nsp	CONN.	10022HS	CJP15GA193ZY
DSP	CN83		nsp	nsp	CONN.	13P WAFER	CJP13GA193ZY
DSP	CN90		nsp	nsp	CONN.	17P WAFER FFC 12511HS-17	CJP17GA115ZY
DSP	CR10		nsp	90M-OA000540R	ELECT CAP.	220UF 16V ESR	CCEA1CKXL221T
DSP	CR11		nsp	00MDK96104300	CER. CAP.	0.1UF 50V K	CCUS1H104KC
DSP	CR13		nsp	00MOA10702520	ELECT CAP.	100UF 25V	CCEA1EH101T
DSP	CR14		nsp	00MOA10702520	ELECT CAP.	100UF 25V	CCEA1EH101T
DSP	CR15		nsp	00MDK96104300	CER. CAP.	0.1UF 50V K	CCUS1H104KC
DSP	CR16		nsp	00MDK96104300	CER. CAP.	0.1UF 50V K	CCUS1H104KC
DSP	CR17		nsp	00MOA10605020	ELECT CAP.	10UF 50V	CCEA1HH100T
DSP	CR18		nsp	90M-OA000540R	ELECT CAP.	220UF 16V ESR	CCEA1CKXL221T
DSP	CR19		nsp	00MOA10605020	ELECT CAP.	10UF 50V	CCEA1HH100T
DSP	CR20		nsp	90M-OA000540R	ELECT CAP.	220UF 16V ESR	CCEA1CKXL221T
DSP	CR21		nsp	00MOA10701620	ELECT CAP.	100UF 16V	CCEA1CH101T
DSP	CR22		nsp	00MDK96104300	CER. CAP.	0.1UF 50V K	CCUS1H104KC
DSP	CR23		nsp	00MOA10605020	ELECT CAP.	10UF 50V	CCEA1HH100T
DSP	CR24		nsp	00MOA22701620	ELECT CAP.	220UF 16V	CCEA1CH221T
DSP	CR25		nsp	00MOA10605020	ELECT CAP.	10UF 50V	CCEA1HH100T
DSP	CR26		nsp	00MOA22701620	ELECT CAP.	220UF 16V	CCEA1CH221T
DSP	CR27		nsp	00MDK96102300	CER. CAP.	1000PF 50V KC	CCUS1H102KC
DSP	CR28		nsp	00MDK96104300	CER. CAP.	0.1UF 50V K	CCUS1H104KC
DSP	CR29		nsp	00MDK96104300	CER. CAP.	0.1UF 50V K	CCUS1H104KC
DSP	CR30		nsp	00MOA10701620	ELECT CAP.	100UF 16V	CCEA1CH101T
DSP	CR31		nsp	00MDK96104300	CER. CAP.	0.1UF 50V K	CCUS1H104KC
DSP	CR32		nsp	00MDK96104300	CER. CAP.	0.1UF 50V K	CCUS1H104KC
DSP	CR34	/U1B	nsp	00MDK96104300	CER. CAP.	0.1UF 50V K	CCUS1H104KC
DSP	CR35	/U1B	nsp	00MOA10701620	ELECT CAP.	100UF 16V	CCEA1CH101T
DSP	CR36	/U1B	nsp	00MDK96104300	CER. CAP.	0.1UF 50V K	CCUS1H104KC
DSP	CR40		nsp	00MDK96104300	CER. CAP.	0.1UF 50V K	CCUS1H104KC
DSP	CR41		nsp	90M-OA000680R	ELECT CAP.	KR3-16V472MH-L/C4.0 16V/4700	CCEA1CH472EZ
DSP	CR42	/U1B	nsp	00MDK96104300	CER. CAP.	0.1UF 50V K	CCUS1H104KC
DSP	CR47	/U1B	nsp	00MOA10701620	ELECT CAP.	100UF 16V	CCEA1CH101T
DSP	CR48	/U1B	nsp	00MDK96104300	CER. CAP.	0.1UF 50V K	CCUS1H104KC
DSP	DC10	/N1B	00MHZ21303210	00MHZ21303210	DIODE	1SS355	CVD1SS355T
DSP	DC11		00MHZ21303210	00MHZ21303210	DIODE	1SS355	CVD1SS355T
DSP	DC12	/U1B	nsp	00MHZ21303210	DIODE	1SS355	CVD1SS355T
DSP	DC13		00MHZ21303210	00MHZ21303210	DIODE	1SS355	CVD1SS355T
DSP	DC14		00MHZ21303210	00MHZ21303210	DIODE	1SS355	CVD1SS355T
DSP	DC15		00MHZ21303210	00MHZ21303210	DIODE	1SS355	CVD1SS355T
DSP	DC16		nsp	90M-HD201750R	DIODE	1N4003	CVD1N4003SRT
DSP	DC17		00MHZ21303210	00MHZ21303210	DIODE	1SS355	CVD1SS355T

NOTE : *nsp* PART IS LISTED FOR REFERENCE ONLY, MARANTZ WILL NOT SUPPLY THESE PARTS.

P.W.B. NAME	POS. NO.	VERS. COLOR	PART NO. (FOR EUR)	PART NO. (MZ)	PART NAME	DESCRIPTION	
DSP	DC18		00MHZ21303210	00MHZ21303210	DIODE	1SS355	CVD1SS355T
DSP	DC19		90M-HI200020R	90M-HI200020R	L.E.D.	SIR-34ST3F	BVDSIR34ST3F
DSP	DC20		00MHZ21303210	00MHZ21303210	DIODE	1SS355	CVD1SS355T
DSP	DC21		00MHZ21303210	00MHZ21303210	DIODE	1SS355	CVD1SS355T
DSP	DC22		00MHZ21303210	00MHZ21303210	DIODE	1SS355	CVD1SS355T
DSP	DC23	/U1B	nsp	00MHZ21303210	DIODE	1SS355	CVD1SS355T
DSP	ET01		nsp	nsp	TERMINAL	EARTH PLATE	CNE75
DSP	ET02		nsp	nsp	TERMINAL	EARTH PLATE	CNE75
DSP	ET03		nsp	nsp	BRACKET	BRACKET SHIELD	CMD1A512
DSP	ET04		nsp	nsp	BUFFER	STOPPER IR SENSOR	CHG1A262
DSP	IC12		90M-HW100710R	90M-HW100710R	PHOTO UNIT	PC-17L1CB	HVIPC17L1CB
DSP	IC13		00MHC008205K0	00MHC008205K0	IC	TC74VHC08FT	CVITC74VHC08FT
DSP	IC14		90M-HW100690R	90M-HW100690R	PHOTO UNIT	RPM674CBR-S	CRVRPM6936
DSP	IC15	/N1B	90M-HC110110R	90M-HC110110R	IC	AT24C32CN-SH-T	CVIAT24C32CNSHT
DSP	IC15	/U1B	nsp	90M-HC110120R	IC	AT24C64CN-SH-T	CVIAT24C64CNSHT
DSP	IC16		90M-HC108430R	90M-HC108430R	IC	TC74HC7007AFEL	HVITC74HCT7007F
DSP	IC17		943243001610M	943243001610M	U-PRO	M3087BFBKGP MAIN AV8003	CVIM3087BFBKGP
DSP			00M46CW499A00	00M46CW499A00	SOFTWARE	FIRMWARE FOR IC17	
DSP	IC18		943235001630S	943235001630S	IC	S-80145ANMC-JC6-T2 RESET	CVIS80145ANMCJC6T2
DSP	IC19		00MHC705205Y0	00MHC705205Y0	IC	TC74HC4052AFT	CVITC74HC4052AFT
DSP	IC20		943234001580S	943234001580S	IC	CD74HCT4094M96G4	CVICD74HCT4094M96G4
DSP	IC21		943234001580S	943234001580S	IC	CD74HCT4094M96G4	CVICD74HCT4094M96G4
DSP	IC22		00MHC700400Z0	00MHC700400Z0	IC	TC74HCU04AFN	HVITC74HCU04AFN
DSP	IC23		00MHC011905K0	00MHC011905K0	IC	TC74VHC153FT	CVITC74VHC153FT
DSP	IC24		90M-HC700630R	90M-HC700630R	IC	TC74VHCT04AFN	CVITC74VHCT04AFN
DSP	IC25		00MHC10172090	00MHC10172090	IC	NJM2115MD OP AMP	HVINJM2115MDTE1
DSP	IC26		00MHC10172090	00MHC10172090	IC	NJM2115MD OP AMP	HVINJM2115MDTE1
DSP	IC27		00MHC10015880	00MHC10015880	IC	CS5361-KS A/D CONVERTER	HVICS5361-KS
DSP	IC28		00MHC008205K0	00MHC008205K0	IC	TC74VHC08FT	CVITC74VHC08FT
DSP	IC29		00MHC10418030	00MHC10418030	IC	LC89057W-VF4A-E	CVILC89057WVF4AE
DSP	IC31		00MHC009105K0	00MHC009105K0	IC	TC7WH157FU	HVITC7WH157FU
DSP	IC32		90M-HC109290R	90M-HC109290R	IC	TC74VHC157FT	HVITC74VHC157FT
DSP	IC33		nsp	nsp	IC	TMS320DA788B DSP	CVITMS320DA788B
DSP	IC34		943248001590M	943248001590M	U-PRO	ES29LV320ET70TG DSP AV8003	CVIES29LV320ET70TG
DSP			00M36CW499C00	00M36CW499C00	SOFTWARE	DSP CORD FOR IC34	
DSP	IC35		90M-HC109920R	90M-HC109920R	IC	M12L64164A7T	HVIM12L64164A7T
DSP	IC36		00MHC008205K0	00MHC008205K0	IC	TC74VHC08FT	CVITC74VHC08FT
DSP	IC37		943234001580S	943234001580S	IC	CD74HCT4094M96G4	CVICD74HCT4094M96G4
DSP	IC39	/U1B	nsp	90M-HY200050R	F.E.T.	UPA672T	CVTUPA672T
DSP	IC40	/U1B	nsp	90M-HY200050R	F.E.T.	UPA672T	CVTUPA672T
DSP	IC41		90M-HC109790R	90M-HC109790R	IC	CS4382A-CQ	CVICS4382A-CQ
DSP	IC42		00MHC10114530	00MHC10114530	IC	S-80810CNNB	CVIS-80810CNNB
DSP	IC43		00MHC10114530	00MHC10114530	IC	S-80810CNNB	CVIS-80810CNNB
DSP	IC44		00MHC10102090	00MHC10102090	IC	NJM2068MD-TE1	HVINJM2068MDTE1
DSP	IC45		00MHC10102090	00MHC10102090	IC	NJM2068MD-TE1	HVINJM2068MDTE1
DSP	IC46		00MHC10102090	00MHC10102090	IC	NJM2068MD-TE1	HVINJM2068MDTE1
DSP	IC47		00MHC10102090	00MHC10102090	IC	NJM2068MD-TE1	HVINJM2068MDTE1
DSP	IC48		90M-HC900170R	90M-HC900170R	IC	KIA1117S00-RTK/P	CVIKIA1117S00
DSP	IC49		90M-HC900170R	90M-HC900170R	IC	KIA1117S00-RTK/P	CVIKIA1117S00
DSP	IC50		90M-HC900090R	90M-HC900090R	IC	KAI7812AF-RTF	HVIKIA7812AF
DSP	IC51		90M-HC900170R	90M-HC900170R	IC	KIA1117S00-RTK/P	CVIKIA1117S00
DSP	IC52		90M-HC900170R	90M-HC900170R	IC	KIA1117S00-RTK/P	CVIKIA1117S00
DSP	IC53	/U1B	nsp	90M-HC301000R	IC	KIA278R00FP	CVIKIA278R00FP
DSP	IC58		90M-HC108430R	90M-HC108430R	IC	TC74HC7007AFEL	HVITC74HCT7007F
DSP	IC59		00MHC705205Y0	00MHC705205Y0	IC	TC74HC4052AFT	CVITC74HC4052AFT
DSP	IC60		00MHC705205Y0	00MHC705205Y0	IC	TC74HC4052AFT	CVITC74HC4052AFT
DSP	IC61	/U1B	nsp	90M-HC301000R	IC	KIA278R00FP	CVIKIA278R00FP
DSP	IC62		90M-HY200050R	90M-HY200050R	F.E.T.	UPA672T	CVTUPA672T
DSP	IC63		90M-HC108430R	90M-HC108430R	IC	TC74HC7007AFEL	HVITC74HCT7007F
DSP	JK11		90M-YT005430R	90M-YT005430R	TERMINAL	OPT/CINCH RX YKC22-0877V	CJS9U015Z
DSP	JK12		90M-YT005430R	90M-YT005430R	TERMINAL	OPT/CINCH RX YKC22-0877V	CJS9U015Z
DSP	JK13		90M-YT005430R	90M-YT005430R	TERMINAL	OPT/CINCH RX YKC22-0877V	CJS9U015Z
DSP	JK14		90M-YT005440R	90M-YT005440R	TERMINAL	OPT/CINCH TX YKC22-0874V	CJS9U014Z
DSP	JK15		90M-YT003120R	90M-YT003120R	TERMINAL	CINCH 2P GOLD JE0200598N	CJJ4N036Z
DSP	JK16		90M-YT003650R	90M-YT003650R	TERMINAL	CINCH 2P GREEN RCA-207AE-11	CJJ4N071Z
DSP	JK17		90M-YJ002760R	90M-YJ002760R	CONN.	STEREO 2P 3.5MM HSJ1002-016020	HJJ1D002Z
DSP	JK18		90M-YJ002760R	90M-YJ002760R	CONN.	STEREO 2P 3.5MM HSJ1002-016020	HJJ1D002Z

NOTE : "nsp" PART IS LISTED FOR REFERENCE ONLY, MARANTZ WILL NOT SUPPLY THESE PARTS

P.W.B. NAME	POS. NO.	VERS. COLOR	PART NO. (FOR EUR)	PART NO. (MZ)	PART NAME	DESCRIPTION	
DSP	JK19		90M-YT004860R	90M-YT004860R	TERMINAL	3.5MM JACK STEREO PJ-308-02	CJ2D008Z
DSP	JK20		90M-YT004860R	90M-YT004860R	TERMINAL	3.5MM JACK STEREO PJ-308-02	CJ2D008Z
DSP	JP11		nsp	nsp	CORD	SN95/PB5 0.6	C3A206
DSP	JP12		nsp	nsp	CORD	SN95/PB5 0.6	C3A206
DSP	JP13		nsp	nsp	CORD	SN95/PB5 0.6	C3A206
DSP	JP14		nsp	nsp	CORD	SN95/PB5 0.6	C3A206
DSP	JP15		nsp	nsp	CORD	SN95/PB5 0.6	C3A206
DSP	JP16		nsp	nsp	CORD	SN95/PB5 0.6	C3A206
DSP	LC10		90M-FC900340R	90M-FC900340R	FERRITE CORE	HU-1H4516-600JT	CLZ9Z014Z
DSP	LC11		90M-FC900340R	90M-FC900340R	FERRITE CORE	HU-1H4516-600JT	CLZ9Z014Z
DSP	LC12		90M-FC900460R	90M-FC900460R	EMI FILTER	CHIP BEAD (EMC FILTER)	CLZ9R007Z
DSP	LC13		90M-FC900460R	90M-FC900460R	EMI FILTER	CHIP BEAD (EMC FILTER)	CLZ9R007Z
DSP	LC14		nsp	00MNN05000610	CHIP RES.	0 OHM 1/10W J	CRJ10DJ0R0T
DSP	LC15		90M-LU000220R	90M-LU000220R	COIL	10UH CWCI-3225-100	HLQ10E100KRZ
DSP	LC16		90M-LU000270R	90M-LU000270R	CHIP INDUCT	INDUCTOR CHIP NLCV32T-100K-PF	CLQ10E100KRY
DSP	QC10		90M-HX600010R	90M-HX600010R	CHIP TRS.	KRA102S	HVTKRA102S
DSP	QC11		00MHT30001000	00MHT30001000	TRS.	KTC3199Y	HVTKTC3199YT
DSP	QC12		90M-HX600010R	90M-HX600010R	CHIP TRS.	KRA102S	HVTKRA102S
DSP	QC13		90M-HX600010R	90M-HX600010R	CHIP TRS.	KRA102S	HVTKRA102S
DSP	QC14		90M-HX600010R	90M-HX600010R	CHIP TRS.	KRA102S	HVTKRA102S
DSP	QC15		00MHT600121A0	00MHT600121A0	TRS.	KTA1268GR	HVTKTA1268GRT
DSP	QC16		90M-HX800010R	90M-HX800010R	CHIP TRS.	KRC102S	HVTKRC102S
DSP	QC17		90M-HX600010R	90M-HX600010R	CHIP TRS.	KRA102S	HVTKRA102S
DSP	QC18		00MHT600121A0	00MHT600121A0	TRS.	KTA1268GR	HVTKTA1268GRT
DSP	QC19		90M-HX800010R	90M-HX800010R	CHIP TRS.	KRC102S	HVTKRC102S
DSP	QC20		90M-HX600010R	90M-HX600010R	CHIP TRS.	KRA102S	HVTKRA102S
DSP	QC21		90M-HX600010R	90M-HX600010R	CHIP TRS.	KRA102S	HVTKRA102S
DSP	QC22		90M-HX600010R	90M-HX600010R	CHIP TRS.	KRA102S	HVTKRA102S
DSP	QC23	/N1B	90M-HX600010R	90M-HX600010R	CHIP TRS.	KRA102S	HVTKRA102S
DSP	QC24	/N1B	90M-HX800010R	90M-HX800010R	CHIP TRS.	KRC102S	HVTKRC102S
DSP	QC25		90M-HX800010R	90M-HX800010R	CHIP TRS.	KRC102S	HVTKRC102S
DSP	QC26		90M-HX600010R	90M-HX600010R	CHIP TRS.	KRA102S	HVTKRA102S
DSP	QC27		90M-HT300970R	90M-HT300970R	TRS.	KTC2875B	HVTKTC2875B
DSP	QC28		90M-HT300970R	90M-HT300970R	TRS.	KTC2875B	HVTKTC2875B
DSP	QC29	/U1B	nsp	90M-HX800010R	CHIP TRS.	KRC102S	HVTKRC102S
DSP	QC30	/U1B	nsp	90M-HX800010R	CHIP TRS.	KRC102S	HVTKRC102S
DSP	QC31	/U1B	nsp	90M-HX600010R	CHIP TRS.	KRA102S	HVTKRA102S
DSP	QC32		90M-HX600010R	90M-HX600010R	CHIP TRS.	KRA102S	HVTKRA102S
DSP	QC33	/U1B	nsp	90M-HX800010R	CHIP TRS.	KRC102S	HVTKRC102S
DSP	QC34		90M-HX800010R	90M-HX800010R	CHIP TRS.	KRC102S	HVTKRC102S
DSP	R100		nsp	00MNN05103610	CHIP RES.	10K OHM 1/10W J	CRJ10DJ103T
DSP	R101		nsp	00MNN05750610	CHIP RES.	75 OHM 1/10W J	CRJ10DJ750T
DSP	R102		nsp	00MNN05330610	CHIP RES.	33 OHM 1/10W J	CRJ10DJ330T
DSP	R103		nsp	00MNN05330610	CHIP RES.	33 OHM 1/10W J	CRJ10DJ330T
DSP	R104		nsp	00MNN05330610	CHIP RES.	33 OHM 1/10W J	CRJ10DJ330T
DSP	R106		nsp	00MNN05101610	CHIP RES.	100 OHM 1/10W J	CRJ10DJ101T
DSP	R107		nsp	00MNN05101610	CHIP RES.	100 OHM 1/10W J	CRJ10DJ101T
DSP	R108		nsp	00MNN05101610	CHIP RES.	100 OHM 1/10W J	CRJ10DJ101T
DSP	R109		nsp	00MNN05101610	CHIP RES.	100 OHM 1/10W J	CRJ10DJ101T
DSP	R110		nsp	00MNN05103610	CHIP RES.	10K OHM 1/10W J	CRJ10DJ103T
DSP	R111		nsp	00MNN05103610	CHIP RES.	10K OHM 1/10W J	CRJ10DJ103T
DSP	R112		nsp	00MNN05103610	CHIP RES.	10K OHM 1/10W J	CRJ10DJ103T
DSP	R113		nsp	00MNN05103610	CHIP RES.	10K OHM 1/10W J	CRJ10DJ103T
DSP	R114		nsp	00MNN05103610	CHIP RES.	10K OHM 1/10W J	CRJ10DJ103T
DSP	R115		nsp	00MNN05103610	CHIP RES.	10K OHM 1/10W J	CRJ10DJ103T
DSP	R116		nsp	00MNN05103610	CHIP RES.	10K OHM 1/10W J	CRJ10DJ103T
DSP	R117		nsp	00MNN05101610	CHIP RES.	100 OHM 1/10W J	CRJ10DJ101T
DSP	R118		nsp	00MNN05560610	CHIP RES.	56 OHM 1/10W J	CRJ10DJ560T
DSP	R119		nsp	00MNN05101610	CHIP RES.	100 OHM 1/10W J	CRJ10DJ101T
DSP	R120		nsp	00MNN05101610	CHIP RES.	100 OHM 1/10W J	CRJ10DJ101T
DSP	R121		nsp	00MNN05101610	CHIP RES.	100 OHM 1/10W J	CRJ10DJ101T
DSP	R122		nsp	00MNN05560610	CHIP RES.	56 OHM 1/10W J	CRJ10DJ560T
DSP	R123		nsp	00MNN05103610	CHIP RES.	10K OHM 1/10W J	CRJ10DJ103T
DSP	R124		nsp	00MNN05103610	CHIP RES.	10K OHM 1/10W J	CRJ10DJ103T
DSP	R125		nsp	00MNN05103610	CHIP RES.	10K OHM 1/10W J	CRJ10DJ103T
DSP	R126		nsp	00MNN05103610	CHIP RES.	10K OHM 1/10W J	CRJ10DJ103T
DSP	R127		nsp	00MNN05103610	CHIP RES.	10K OHM 1/10W J	CRJ10DJ103T

NOTE : *nsp* PART IS LISTED FOR REFERENCE ONLY, MARANTZ WILL NOT SUPPLY THESE PARTS.

P.W.B. NAME	POS. NO.	VERS. COLOR	PART NO. (FOR EUR)	PART NO. (MZ)	PART NAME	DESCRIPTION	
DSP	R128		nsp	00MNN05000610	CHIP RES.	0 OHM 1/10W J	CRJ10DJ0R0T
DSP	R129		nsp	00MNN05330610	CHIP RES.	33 OHM 1/10W J	CRJ10DJ330T
DSP	R130		nsp	00MNN05750610	CHIP RES.	75 OHM 1/10W J	CRJ10DJ750T
DSP	R131		nsp	00MNN05105610	CHIP RES.	1M OHM 1/10W J	CRJ10DJ105T
DSP	R132		nsp	00MNN05271610	CHIP RES.	270 OHM +5% 1/16W	CRJ10DJ271T
DSP	R133		nsp	00MNN05000610	CHIP RES.	0 OHM 1/10W J	CRJ10DJ0R0T
DSP	R134		nsp	00MNN05000610	CHIP RES.	0 OHM 1/10W J	CRJ10DJ0R0T
DSP	R135		nsp	00MNN05000610	CHIP RES.	0 OHM 1/10W J	CRJ10DJ0R0T
DSP	R136		nsp	00MNN05000610	CHIP RES.	0 OHM 1/10W J	CRJ10DJ0R0T
DSP	R137		nsp	00MNN05000610	CHIP RES.	0 OHM 1/10W J	CRJ10DJ0R0T
DSP	R140		nsp	00MNN05330610	CHIP RES.	33 OHM 1/10W J	CRJ10DJ330T
DSP	R141		nsp	00MNN05223610	CHIP RES.	22K OHM 1/10W J	CRJ10DJ223T
DSP	R144		nsp	00MNN05101610	CHIP RES.	100 OHM 1/10W J	CRJ10DJ101T
DSP	R145		nsp	00MNN05101610	CHIP RES.	100 OHM 1/10W J	CRJ10DJ101T
DSP	R146		nsp	00MNN05101610	CHIP RES.	100 OHM 1/10W J	CRJ10DJ101T
DSP	R147		nsp	00MNN05101610	CHIP RES.	100 OHM 1/10W J	CRJ10DJ101T
DSP	R153		nsp	00MNN05101610	CHIP RES.	100 OHM 1/10W J	CRJ10DJ101T
DSP	R154		nsp	00MNN05332610	CHIP RES.	3.3K OHM 1/10W J	CRJ10DJ332T
DSP	R155		nsp	00MNN05332610	CHIP RES.	3.3K OHM 1/10W J	CRJ10DJ332T
DSP	R156		nsp	00MNN05182610	CHIP RES.	1.8K OHM 1/10W J	CRJ10DJ182T
DSP	R157		nsp	00MNN05472610	CHIP RES.	4.7K OHM 1/10W J	CRJ10DJ472T
DSP	R158		nsp	00MNN05332610	CHIP RES.	3.3K OHM 1/10W J	CRJ10DJ332T
DSP	R159		nsp	00MNN05332610	CHIP RES.	3.3K OHM 1/10W J	CRJ10DJ332T
DSP	R160		nsp	00MNN05472610	CHIP RES.	4.7K OHM 1/10W J	CRJ10DJ472T
DSP	R161		nsp	00MNN05182610	CHIP RES.	1.8K OHM 1/10W J	CRJ10DJ182T
DSP	R162		nsp	00MNN05182610	CHIP RES.	1.8K OHM 1/10W J	CRJ10DJ182T
DSP	R163		nsp	00MNN05472610	CHIP RES.	4.7K OHM 1/10W J	CRJ10DJ472T
DSP	R164		nsp	00MNN05391610	CHIP RES.	390 OHM 1/10W J	CRJ10DJ391T
DSP	R165		nsp	00MNN05104610	CHIP RES.	100K OHM 1/10W J	CRJ10DJ104T
DSP	R166		nsp	00MNN05104610	CHIP RES.	100K OHM 1/10W J	CRJ10DJ104T
DSP	R167		nsp	00MNN05391610	CHIP RES.	390 OHM 1/10W J	CRJ10DJ391T
DSP	R168		nsp	00MNN05182610	CHIP RES.	1.8K OHM 1/10W J	CRJ10DJ182T
DSP	R169		nsp	00MNN05472610	CHIP RES.	4.7K OHM 1/10W J	CRJ10DJ472T
DSP	R170		nsp	00MNN05472610	CHIP RES.	4.7K OHM 1/10W J	CRJ10DJ472T
DSP	R171		nsp	00MNN05182610	CHIP RES.	1.8K OHM 1/10W J	CRJ10DJ182T
DSP	R172		nsp	00MNN05391610	CHIP RES.	390 OHM 1/10W J	CRJ10DJ391T
DSP	R173		nsp	00MNN05104610	CHIP RES.	100K OHM 1/10W J	CRJ10DJ104T
DSP	R174		nsp	00MNN05104610	CHIP RES.	100K OHM 1/10W J	CRJ10DJ104T
DSP	R175		nsp	00MNN05391610	CHIP RES.	390 OHM 1/10W J	CRJ10DJ391T
DSP	R176		nsp	00MNN05472610	CHIP RES.	4.7K OHM 1/10W J	CRJ10DJ472T
DSP	R177		nsp	00MNN05182610	CHIP RES.	1.8K OHM 1/10W J	CRJ10DJ182T
DSP	R178		nsp	00MNN05182610	CHIP RES.	1.8K OHM 1/10W J	CRJ10DJ182T
DSP	R179		nsp	00MNN05472610	CHIP RES.	4.7K OHM 1/10W J	CRJ10DJ472T
DSP	R180		nsp	00MNN05332610	CHIP RES.	3.3K OHM 1/10W J	CRJ10DJ332T
DSP	R181		nsp	00MNN05332610	CHIP RES.	3.3K OHM 1/10W J	CRJ10DJ332T
DSP	R182		nsp	00MNN05472610	CHIP RES.	4.7K OHM 1/10W J	CRJ10DJ472T
DSP	R183		nsp	00MNN05182610	CHIP RES.	1.8K OHM 1/10W J	CRJ10DJ182T
DSP	R184		nsp	00MNN05332610	CHIP RES.	3.3K OHM 1/10W J	CRJ10DJ332T
DSP	R185		nsp	00MNN05332610	CHIP RES.	3.3K OHM 1/10W J	CRJ10DJ332T
DSP	R186		nsp	00MNN05472610	CHIP RES.	4.7K OHM 1/10W J	CRJ10DJ472T
DSP	R187		nsp	00MNN05182610	CHIP RES.	1.8K OHM 1/10W J	CRJ10DJ182T
DSP	R188		nsp	00MNN05391610	CHIP RES.	390 OHM 1/10W J	CRJ10DJ391T
DSP	R189		nsp	00MNN05104610	CHIP RES.	100K OHM 1/10W J	CRJ10DJ104T
DSP	R190		nsp	00MNN05104610	CHIP RES.	100K OHM 1/10W J	CRJ10DJ104T
DSP	R191		nsp	00MNN05391610	CHIP RES.	390 OHM 1/10W J	CRJ10DJ391T
DSP	R192		nsp	00MNN05472610	CHIP RES.	4.7K OHM 1/10W J	CRJ10DJ472T
DSP	R193		nsp	00MNN05182610	CHIP RES.	1.8K OHM 1/10W J	CRJ10DJ182T
DSP	R194		nsp	00MNN05182610	CHIP RES.	1.8K OHM 1/10W J	CRJ10DJ182T
DSP	R195		nsp	00MNN05472610	CHIP RES.	4.7K OHM 1/10W J	CRJ10DJ472T
DSP	R196		nsp	00MNN05332610	CHIP RES.	3.3K OHM 1/10W J	CRJ10DJ332T
DSP	R197		nsp	00MNN05332610	CHIP RES.	3.3K OHM 1/10W J	CRJ10DJ332T
DSP	R198		nsp	00MNN05472610	CHIP RES.	4.7K OHM 1/10W J	CRJ10DJ472T
DSP	R199		nsp	00MNN05182610	CHIP RES.	1.8K OHM 1/10W J	CRJ10DJ182T
DSP	R200		nsp	00MNN05332610	CHIP RES.	3.3K OHM 1/10W J	CRJ10DJ332T
DSP	R201		nsp	00MNN05332610	CHIP RES.	3.3K OHM 1/10W J	CRJ10DJ332T
DSP	R202		nsp	00MNN05472610	CHIP RES.	4.7K OHM 1/10W J	CRJ10DJ472T
DSP	R203		nsp	00MNN05182610	CHIP RES.	1.8K OHM 1/10W J	CRJ10DJ182T

NOTE : "nsp" PART IS LISTED FOR REFERENCE ONLY, MARANTZ WILL NOT SUPPLY THESE PARTS

P.W.B. NAME	POS. NO.	VERS. COLOR	PART NO. (FOR EUR)	PART NO. (MZ)	PART NAME	DESCRIPTION	
DSP	R204		nsp	00MNN05391610	CHIP RES.	390 OHM 1/10W J	CRJ10DJ391T
DSP	R205		nsp	00MNN05104610	CHIP RES.	100K OHM 1/10W J	CRJ10DJ104T
DSP	R206		nsp	00MNN05104610	CHIP RES.	100K OHM 1/10W J	CRJ10DJ104T
DSP	R207		nsp	00MNN05391610	CHIP RES.	390 OHM 1/10W J	CRJ10DJ391T
DSP	R208		nsp	00MNN05472610	CHIP RES.	4.7K OHM 1/10W J	CRJ10DJ472T
DSP	R209		nsp	00MNN05182610	CHIP RES.	1.8K OHM 1/10W J	CRJ10DJ182T
DSP	R210		nsp	00MNN05182610	CHIP RES.	1.8K OHM 1/10W J	CRJ10DJ182T
DSP	R211		nsp	00MNN05472610	CHIP RES.	4.7K OHM 1/10W J	CRJ10DJ472T
DSP	R212		nsp	00MNN05332610	CHIP RES.	3.3K OHM 1/10W J	CRJ10DJ332T
DSP	R213		nsp	00MNN05332610	CHIP RES.	3.3K OHM 1/10W J	CRJ10DJ332T
DSP	R214		nsp	00MNN05472610	CHIP RES.	4.7K OHM 1/10W J	CRJ10DJ472T
DSP	R215		nsp	00MNN05182610	CHIP RES.	1.8K OHM 1/10W J	CRJ10DJ182T
DSP	R216		nsp	00MNN05332610	CHIP RES.	3.3K OHM 1/10W J	CRJ10DJ332T
DSP	R217		nsp	00MNN05332610	CHIP RES.	3.3K OHM 1/10W J	CRJ10DJ332T
DSP	R219		nsp	00MNN05100610	CHIP RES.	10 OHM 1/10W J	CRJ10DJ100T
DSP	R220		nsp	00MNN05750610	CHIP RES.	75 OHM 1/10W J	CRJ10DJ750T
DSP	R221		nsp	00MNN05102610	CHIP RES.	1K OHM 1/10W J	CRJ10DJ102T
DSP	R223		nsp	00MNN05102610	CHIP RES.	1K OHM 1/10W J	CRJ10DJ102T
DSP	R224		nsp	00MNN05750610	CHIP RES.	75 OHM 1/10W J	CRJ10DJ750T
DSP	R225		nsp	00MNN05100610	CHIP RES.	10 OHM 1/10W J	CRJ10DJ100T
DSP	R226		nsp	00MNN05750610	CHIP RES.	75 OHM 1/10W J	CRJ10DJ750T
DSP	R227		nsp	00MNN05100610	CHIP RES.	10 OHM 1/10W J	CRJ10DJ100T
DSP	R228		nsp	00MNN05473610	CHIP RES.	47K OHM 1/10W J	CRJ10DJ473T
DSP	R229		nsp	00MNN05473610	CHIP RES.	47K OHM 1/10W J	CRJ10DJ473T
DSP	R230		nsp	00MNN05473610	CHIP RES.	47K OHM 1/10W J	CRJ10DJ473T
DSP	R235		nsp	00MNN05103610	CHIP RES.	10K OHM 1/10W J	CRJ10DJ103T
DSP	R236		nsp	00MNN05562610	CHIP RES.	5.6K OHM 1/10W J	CRJ10DJ562T
DSP	R237		nsp	00MNN05270610	CHIP RES.	27 OHM 1/10W J	CRJ10DJ270T
DSP	R238		nsp	00MNN05100610	CHIP RES.	10 OHM 1/10W J	CRJ10DJ100T
DSP	R239		nsp	00MNN05682610	CHIP RES.	6.8K OHM 1/10W J	CRJ10DJ682T
DSP	R240		nsp	00MNN05682610	CHIP RES.	6.8K OHM 1/10W J	CRJ10DJ682T
DSP	R241		nsp	00MNN05104610	CHIP RES.	100K OHM 1/10W J	CRJ10DJ104T
DSP	R242		nsp	00MNN05104610	CHIP RES.	100K OHM 1/10W J	CRJ10DJ104T
DSP	R243		nsp	00MNN05105610	CHIP RES.	1M OHM 1/10W J	CRJ10DJ105T
DSP	R244		nsp	00MNN05222610	CHIP RES.	2.2K OHM 1/10W J	CRJ10DJ222T
DSP	R245		nsp	00MNN05272610	CHIP RES.	2.7K OHM 1/10W J	CRJ10DJ272T
DSP	R246		nsp	00MNN05222610	CHIP RES.	2.2K OHM 1/10W J	CRJ10DJ222T
DSP	R247		nsp	00MNN05272610	CHIP RES.	2.7K OHM 1/10W J	CRJ10DJ272T
DSP	R248		nsp	00MNN05392610	CHIP RES.	3.9K OHM 1/10W J	CRJ10DJ392T
DSP	R249		nsp	00MNN05472610	CHIP RES.	4.7K OHM 1/10W J	CRJ10DJ472T
DSP	R250		nsp	00MNN05472610	CHIP RES.	4.7K OHM 1/10W J	CRJ10DJ472T
DSP	R251		nsp	00MNN05101610	CHIP RES.	100 OHM 1/10W J	CRJ10DJ101T
DSP	R252		nsp	00MNN05562610	CHIP RES.	5.6K OHM 1/10W J	CRJ10DJ562T
DSP	R253		nsp	00MNN05101610	CHIP RES.	100 OHM 1/10W J	CRJ10DJ101T
DSP	R254		nsp	00MNN05101610	CHIP RES.	100 OHM 1/10W J	CRJ10DJ101T
DSP	R255		nsp	00MNN05392610	CHIP RES.	3.9K OHM 1/10W J	CRJ10DJ392T
DSP	R256		nsp	00MNN05472610	CHIP RES.	4.7K OHM 1/10W J	CRJ10DJ472T
DSP	R257		nsp	00MNN05472610	CHIP RES.	4.7K OHM 1/10W J	CRJ10DJ472T
DSP	R258		nsp	00MNN05101610	CHIP RES.	100 OHM 1/10W J	CRJ10DJ101T
DSP	R259		nsp	00MNN05562610	CHIP RES.	5.6K OHM 1/10W J	CRJ10DJ562T
DSP	R260		nsp	00MNN05101610	CHIP RES.	100 OHM 1/10W J	CRJ10DJ101T
DSP	R261		nsp	00MNN05563610	CHIP RES.	56K OHM 1/10W J	CRJ10DJ563T
DSP	R262		nsp	00MNN05100610	CHIP RES.	10 OHM 1/10W J	CRJ10DJ100T
DSP	R263		nsp	00MNN05100610	CHIP RES.	10 OHM 1/10W J	CRJ10DJ100T
DSP	R264		nsp	00MNN05100610	CHIP RES.	10 OHM 1/10W J	CRJ10DJ100T
DSP	R265		nsp	00MNN05101610	CHIP RES.	100 OHM 1/10W J	CRJ10DJ101T
DSP	R270		nsp	00MNN05102610	CHIP RES.	1K OHM 1/10W J	CRJ10DJ102T
DSP	R335		nsp	00MNN05330610	CHIP RES.	33 OHM 1/10W J	CRJ10DJ330T
DSP	R336		nsp	00MNN05223610	CHIP RES.	22K OHM 1/10W J	CRJ10DJ223T
DSP	R337		nsp	00MNN05332610	CHIP RES.	3.3K OHM 1/10W J	CRJ10DJ332T
DSP	R338		nsp	00MNN05103610	CHIP RES.	10K OHM 1/10W J	CRJ10DJ103T
DSP	R339		nsp	00MNN05103610	CHIP RES.	10K OHM 1/10W J	CRJ10DJ103T
DSP	R340		nsp	00MNN05103610	CHIP RES.	10K OHM 1/10W J	CRJ10DJ103T
DSP	R341		nsp	00MNN05103610	CHIP RES.	10K OHM 1/10W J	CRJ10DJ103T
DSP	R342		nsp	00MNN05010610	CHIP RES.	1 OHM 1/10W J	CRJ10DJ10T
DSP	R343		nsp	00MNN05105610	CHIP RES.	1M OHM 1/10W J	CRJ10DJ105T
DSP	R344		nsp	00MNN05102610	CHIP RES.	1K OHM 1/10W J	CRJ10DJ102T

NOTE : *nsp* PART IS LISTED FOR REFERENCE ONLY, MARANTZ WILL NOT SUPPLY THESE PARTS.

P.W.B. NAME	POS. NO.	VERS. COLOR	PART NO. (FOR EUR)	PART NO. (MZ)	PART NAME	DESCRIPTION	
DSP	R345		nsp	00MNN05562610	CHIP RES.	5.6K OHM 1/10W J	CRJ10DJ562T
DSP	R362		nsp	00MNN05101610	CHIP RES.	100 OHM 1/10W J	CRJ10DJ101T
DSP	R363		nsp	00MNN05101610	CHIP RES.	100 OHM 1/10W J	CRJ10DJ101T
DSP	R364		nsp	00MNN05101610	CHIP RES.	100 OHM 1/10W J	CRJ10DJ101T
DSP	R365		nsp	00MNN05101610	CHIP RES.	100 OHM 1/10W J	CRJ10DJ101T
DSP	R366		nsp	00MNN05101610	CHIP RES.	100 OHM 1/10W J	CRJ10DJ101T
DSP	R367		nsp	00MNN05330610	CHIP RES.	33 OHM 1/10W J	CRJ10DJ330T
DSP	R368		nsp	00MNN05221610	CHIP RES.	220 OHM 1/10W J	CRJ10DJ221T
DSP	R369		nsp	00MNN05330610	CHIP RES.	33 OHM 1/10W J	CRJ10DJ330T
DSP	R370		nsp	00MNN05472610	CHIP RES.	4.7K OHM 1/10W J	CRJ10DJ472T
DSP	R371		nsp	00MNN05472610	CHIP RES.	4.7K OHM 1/10W J	CRJ10DJ472T
DSP	R372		nsp	00MNN05104610	CHIP RES.	100K OHM 1/10W J	CRJ10DJ104T
DSP	R373		nsp	00MNN05104610	CHIP RES.	100K OHM 1/10W J	CRJ10DJ104T
DSP	R374		nsp	00MNN05472610	CHIP RES.	4.7K OHM 1/10W J	CRJ10DJ472T
DSP	R375		nsp	00MNN05104610	CHIP RES.	100K OHM 1/10W J	CRJ10DJ104T
DSP	R376		nsp	00MNN05472610	CHIP RES.	4.7K OHM 1/10W J	CRJ10DJ472T
DSP	R377		nsp	00MNN05104610	CHIP RES.	100K OHM 1/10W J	CRJ10DJ104T
DSP	R378		nsp	00MNN05472610	CHIP RES.	4.7K OHM 1/10W J	CRJ10DJ472T
DSP	R379		nsp	00MNN05104610	CHIP RES.	100K OHM 1/10W J	CRJ10DJ104T
DSP	R380		nsp	00MNN05473610	CHIP RES.	47K OHM 1/10W J	CRJ10DJ473T
DSP	R381		nsp	00MNN05473610	CHIP RES.	47K OHM 1/10W J	CRJ10DJ473T
DSP	R382		nsp	00MNN05104610	CHIP RES.	100K OHM 1/10W J	CRJ10DJ104T
DSP	R386		nsp	00MNN05000610	CHIP RES.	0 OHM 1/10W J	CRJ10DJ0R0T
DSP	R389		nsp	00MNN05103610	CHIP RES.	10K OHM 1/10W J	CRJ10DJ103T
DSP	R390		nsp	00MNN05103610	CHIP RES.	10K OHM 1/10W J	CRJ10DJ103T
DSP	R391	/U1B	nsp	00MNN05100610	CHIP RES.	10 OHM 1/10W J	CRJ10DJ100T
DSP	R392	/N1B	nsp	00MNN05000610	CHIP RES.	0 OHM 1/10W J	CRJ10DJ0R0T
DSP	R393	/U1B	nsp	00MNN05000610	CHIP RES.	0 OHM 1/10W J	CRJ10DJ0R0T
DSP	R394	/N1B	nsp	00MNN05000610	CHIP RES.	0 OHM 1/10W J	CRJ10DJ0R0T
DSP	R395	/U1B	nsp	00MNN05000610	CHIP RES.	0 OHM 1/10W J	CRJ10DJ0R0T
DSP	R396		nsp	00MNN05103610	CHIP RES.	10K OHM 1/10W J	CRJ10DJ103T
DSP	R397		nsp	00MNN05472610	CHIP RES.	4.7K OHM 1/10W J	CRJ10DJ472T
DSP	R398		nsp	00MNN05472610	CHIP RES.	4.7K OHM 1/10W J	CRJ10DJ472T
DSP	R399		nsp	00MNN05472610	CHIP RES.	4.7K OHM 1/10W J	CRJ10DJ472T
DSP	R400		nsp	00MNN05472610	CHIP RES.	4.7K OHM 1/10W J	CRJ10DJ472T
DSP	R401		nsp	00MNN05472610	CHIP RES.	4.7K OHM 1/10W J	CRJ10DJ472T
DSP	R402		nsp	00MNN05472610	CHIP RES.	4.7K OHM 1/10W J	CRJ10DJ472T
DSP	R403		nsp	00MNN05000610	CHIP RES.	0 OHM 1/10W J	CRJ10DJ0R0T
DSP	R404		nsp	00MNN05473610	CHIP RES.	47K OHM 1/10W J	CRJ10DJ473T
DSP	R406		nsp	00MNN05000610	CHIP RES.	0 OHM 1/10W J	CRJ10DJ0R0T
DSP	R407		nsp	00MNN05000610	CHIP RES.	0 OHM 1/10W J	CRJ10DJ0R0T
DSP	R408		nsp	00MNN05472610	CHIP RES.	4.7K OHM 1/10W J	CRJ10DJ472T
DSP	R409		nsp	00MNN05472610	CHIP RES.	4.7K OHM 1/10W J	CRJ10DJ472T
DSP	R410		nsp	00MNN05000610	CHIP RES.	0 OHM 1/10W J	CRJ10DJ0R0T
DSP	R412		nsp	00MNN05333610	CHIP RES.	33K OHM 1/10W J	CRJ10DJ333T
DSP	R413		nsp	00MNN05333610	CHIP RES.	33K OHM 1/10W J	CRJ10DJ333T
DSP	R414		nsp	00MNN05333610	CHIP RES.	33K OHM 1/10W J	CRJ10DJ333T
DSP	R415		nsp	00MNN05333610	CHIP RES.	33K OHM 1/10W J	CRJ10DJ333T
DSP	R416		nsp	00MNN05333610	CHIP RES.	33K OHM 1/10W J	CRJ10DJ333T
DSP	R417		nsp	00MNN05333610	CHIP RES.	33K OHM 1/10W J	CRJ10DJ333T
DSP	R418		nsp	00MNN05472610	CHIP RES.	4.7K OHM 1/10W J	CRJ10DJ472T
DSP	R419		nsp	00MNN05472610	CHIP RES.	4.7K OHM 1/10W J	CRJ10DJ472T
DSP	R420		nsp	00MNN05472610	CHIP RES.	4.7K OHM 1/10W J	CRJ10DJ472T
DSP	R421		nsp	00MNN05472610	CHIP RES.	4.7K OHM 1/10W J	CRJ10DJ472T
DSP	R423		nsp	00MNN05472610	CHIP RES.	4.7K OHM 1/10W J	CRJ10DJ472T
DSP	R424		nsp	00MNN05103610	CHIP RES.	10K OHM 1/10W J	CRJ10DJ103T
DSP	R425		nsp	00MNN05472610	CHIP RES.	4.7K OHM 1/10W J	CRJ10DJ472T
DSP	R426		nsp	00MNN05472610	CHIP RES.	4.7K OHM 1/10W J	CRJ10DJ472T
DSP	R427		nsp	00MNN05472610	CHIP RES.	4.7K OHM 1/10W J	CRJ10DJ472T
DSP	R428		nsp	00MNN05472610	CHIP RES.	4.7K OHM 1/10W J	CRJ10DJ472T
DSP	R430		nsp	00MNN05101610	CHIP RES.	100 OHM 1/10W J	CRJ10DJ101T
DSP	R441		nsp	00MNN05472610	CHIP RES.	4.7K OHM 1/10W J	CRJ10DJ472T
DSP	R450		nsp	00MNN05101610	CHIP RES.	100 OHM 1/10W J	CRJ10DJ101T
DSP	R451		nsp	00MNN05101610	CHIP RES.	100 OHM 1/10W J	CRJ10DJ101T
DSP	R452		nsp	00MNN05101610	CHIP RES.	100 OHM 1/10W J	CRJ10DJ101T
DSP	R453		nsp	00MNN05101610	CHIP RES.	100 OHM 1/10W J	CRJ10DJ101T
DSP	R454		nsp	00MNN05101610	CHIP RES.	100 OHM 1/10W J	CRJ10DJ101T

NOTE : "nsp" PART IS LISTED FOR REFERENCE ONLY, MARANTZ WILL NOT SUPPLY THESE PARTS

P.W.B. NAME	POS. NO.	VERS. COLOR	PART NO. (FOR EUR)	PART NO. (MZ)	PART NAME	DESCRIPTION	
DSP	R455		nsp	00MNN05101610	CHIP RES.	100 OHM 1/10W J	CRJ10DJ101T
DSP	R456		nsp	00MNN05101610	CHIP RES.	100 OHM 1/10W J	CRJ10DJ101T
DSP	R457		nsp	00MNN05101610	CHIP RES.	100 OHM 1/10W J	CRJ10DJ101T
DSP	R458		nsp	00MNN05101610	CHIP RES.	100 OHM 1/10W J	CRJ10DJ101T
DSP	R459		nsp	00MNN05101610	CHIP RES.	100 OHM 1/10W J	CRJ10DJ101T
DSP	R460		nsp	00MNN05101610	CHIP RES.	100 OHM 1/10W J	CRJ10DJ101T
DSP	R461		nsp	00MNN05101610	CHIP RES.	100 OHM 1/10W J	CRJ10DJ101T
DSP	R462		nsp	00MNN05101610	CHIP RES.	100 OHM 1/10W J	CRJ10DJ101T
DSP	R464		nsp	00MNN05473610	CHIP RES.	47K OHM 1/10W J	CRJ10DJ473T
DSP	R465		nsp	00MNN05473610	CHIP RES.	47K OHM 1/10W J	CRJ10DJ473T
DSP	R466		nsp	00MNN05473610	CHIP RES.	47K OHM 1/10W J	CRJ10DJ473T
DSP	R468		nsp	00MNN05000610	CHIP RES.	0 OHM 1/10W J	CRJ10DJ0R0T
DSP	R469		nsp	00MNN05104610	CHIP RES.	100K OHM 1/10W J	CRJ10DJ104T
DSP	RC10		nsp	00MNN05000610	CHIP RES.	0 OHM 1/10W J	CRJ10DJ0R0T
DSP	RC11		nsp	00MNN05473610	CHIP RES.	47K OHM 1/10W J	CRJ10DJ473T
DSP	RC12		nsp	00MNN05470610	CHIP RES.	47 OHM 1/10W J	CRJ10DJ470T
DSP	RC13		nsp	00MNN05473610	CHIP RES.	47K OHM 1/10W J	CRJ10DJ473T
DSP	RC14		nsp	00MNN05183610	CHIP RES.	18K OHM 1/10W J	CRJ10DJ183T
DSP	RC15		nsp	00MNN05473610	CHIP RES.	47K OHM 1/10W J	CRJ10DJ473T
DSP	RC16		nsp	00MNN05221610	CHIP RES.	220 OHM 1/10W J	CRJ10DJ221T
DSP	RC17		nsp	00MNN05470610	CHIP RES.	47 OHM 1/10W J	CRJ10DJ470T
DSP	RC18		nsp	00MNN05183610	CHIP RES.	18K OHM 1/10W J	CRJ10DJ183T
DSP	RC19		nsp	00MNN05101610	CHIP RES.	100 OHM 1/10W J	CRJ10DJ101T
DSP	RC20		nsp	00MNN05101610	CHIP RES.	100 OHM 1/10W J	CRJ10DJ101T
DSP	RC21		nsp	00MNN05102610	CHIP RES.	1K OHM 1/10W J	CRJ10DJ102T
DSP	RC22		nsp	00MNN05473610	CHIP RES.	47K OHM 1/10W J	CRJ10DJ473T
DSP	RC23		nsp	00MNN05473610	CHIP RES.	47K OHM 1/10W J	CRJ10DJ473T
DSP	RC24		nsp	00MNN05220610	CHIP RES.	22 OHM 1/10W J	CRJ10DJ220T
DSP	RC25		nsp	00MNN05220610	CHIP RES.	22 OHM 1/10W J	CRJ10DJ220T
DSP	RC26		nsp	00MNN05103610	CHIP RES.	10K OHM 1/10W J	CRJ10DJ103T
DSP	RC27		nsp	00MNN05223610	CHIP RES.	22K OHM 1/10W J	CRJ10DJ223T
DSP	RC28		nsp	00MNN05682610	CHIP RES.	6.8K OHM 1/10W J	CRJ10DJ682T
DSP	RC29		nsp	00MNN05047610	CHIP RES.	4.7 OHM 1/10W J	CRJ10DJ47T
DSP	RC30		nsp	00MNN05047610	CHIP RES.	4.7 OHM 1/10W J	CRJ10DJ47T
DSP	RC31		nsp	00MNN05220610	CHIP RES.	22 OHM 1/10W J	CRJ10DJ220T
DSP	RC32		nsp	00MNN05220610	CHIP RES.	22 OHM 1/10W J	CRJ10DJ220T
DSP	RC33		nsp	00MNN05103610	CHIP RES.	10K OHM 1/10W J	CRJ10DJ103T
DSP	RC34		nsp	00MNN05472610	CHIP RES.	4.7K OHM 1/10W J	CRJ10DJ472T
DSP	RC35		nsp	00MNN05223610	CHIP RES.	22K OHM 1/10W J	CRJ10DJ223T
DSP	RC36		nsp	00MNN05682610	CHIP RES.	6.8K OHM 1/10W J	CRJ10DJ682T
DSP	RC37		nsp	00MNN05047610	CHIP RES.	4.7 OHM 1/10W J	CRJ10DJ47T
DSP	RC38		nsp	00MNN05047610	CHIP RES.	4.7 OHM 1/10W J	CRJ10DJ47T
DSP	RC39		nsp	00MNN05102610	CHIP RES.	1K OHM 1/10W J	CRJ10DJ102T
DSP	RC40		nsp	00MNN05102610	CHIP RES.	1K OHM 1/10W J	CRJ10DJ102T
DSP	RC41		nsp	00MNN05471610	CHIP RES.	470 OHM 1/10W J	CRJ10DJ471T
DSP	RC42		nsp	00MNN05471610	CHIP RES.	470 OHM 1/10W J	CRJ10DJ471T
DSP	RC43		nsp	00MNN05221610	CHIP RES.	220 OHM 1/10W J	CRJ10DJ221T
DSP	RC44		nsp	00MNN05221610	CHIP RES.	220 OHM 1/10W J	CRJ10DJ221T
DSP	RC45		nsp	00MNN05101610	CHIP RES.	100 OHM 1/10W J	CRJ10DJ101T
DSP	RC46		nsp	00MNN05101610	CHIP RES.	100 OHM 1/10W J	CRJ10DJ101T
DSP	RC47		nsp	00MNN05103610	CHIP RES.	10K OHM 1/10W J	CRJ10DJ103T
DSP	RC48		nsp	00MNN05473610	CHIP RES.	47K OHM 1/10W J	CRJ10DJ473T
DSP	RC49		nsp	00MNN05473610	CHIP RES.	47K OHM 1/10W J	CRJ10DJ473T
DSP	RC51		nsp	00MNN05010610	CHIP RES.	1 OHM 1/10W J	CRJ10DJ1R0T
DSP	RC52		nsp	00MNN05473610	CHIP RES.	47K OHM 1/10W J	CRJ10DJ473T
DSP	RC53		nsp	00MNN05473610	CHIP RES.	47K OHM 1/10W J	CRJ10DJ473T
DSP	RC54		nsp	00MNN05472610	CHIP RES.	4.7K OHM 1/10W J	CRJ10DJ472T
DSP	RC55		nsp	00MNN05472610	CHIP RES.	4.7K OHM 1/10W J	CRJ10DJ472T
DSP	RC56		nsp	00MNN05472610	CHIP RES.	4.7K OHM 1/10W J	CRJ10DJ472T
DSP	RC57		nsp	00MNN05473610	CHIP RES.	47K OHM 1/10W J	CRJ10DJ473T
DSP	RC58		nsp	00MNN05473610	CHIP RES.	47K OHM 1/10W J	CRJ10DJ473T
DSP	RC59		nsp	00MNN05472610	CHIP RES.	4.7K OHM 1/10W J	CRJ10DJ472T
DSP	RC61	/N1B	nsp	00MNN05832610	CHIP RES.	82K OHM 1/10W J	CRJ10DJ823T
DSP	RC62	/N1B	nsp	00MNN05223610	CHIP RES.	22K OHM 1/10W J	CRJ10DJ223T
DSP	RC62	/U1B	nsp	00MNN05000610	CHIP RES.	0 OHM 1/10W J	CRJ10DJ0R0T
DSP	RC64		nsp	00MNN05473610	CHIP RES.	47K OHM 1/10W J	CRJ10DJ473T
DSP	RC65		nsp	00MNN05473610	CHIP RES.	47K OHM 1/10W J	CRJ10DJ473T

NOTE : *nsp* PART IS LISTED FOR REFERENCE ONLY, MARANTZ WILL NOT SUPPLY THESE PARTS.

P.W.B. NAME	POS. NO.	VERS. COLOR	PART NO. (FOR EUR)	PART NO. (MZ)	PART NAME	DESCRIPTION	
DSP	RC66		nsp	00MNN05473610	CHIP RES.	47K OHM 1/10W J	CRJ10DJ473T
DSP	RC67		nsp	00MNN05473610	CHIP RES.	47K OHM 1/10W J	CRJ10DJ473T
DSP	RC68		nsp	00MNN05473610	CHIP RES.	47K OHM 1/10W J	CRJ10DJ473T
DSP	RC69		nsp	00MNN05473610	CHIP RES.	47K OHM 1/10W J	CRJ10DJ473T
DSP	RC70		nsp	00MNN05473610	CHIP RES.	47K OHM 1/10W J	CRJ10DJ473T
DSP	RC71		nsp	00MNN05473610	CHIP RES.	47K OHM 1/10W J	CRJ10DJ473T
DSP	RC72		nsp	00MNN05473610	CHIP RES.	47K OHM 1/10W J	CRJ10DJ473T
DSP	RC73		nsp	00MNN05000610	CHIP RES.	0 OHM 1/10W J	CRJ10DJ0R0T
DSP	RC74		nsp	00MNN05000610	CHIP RES.	0 OHM 1/10W J	CRJ10DJ0R0T
DSP	RC75		nsp	00MNN05472610	CHIP RES.	4.7K OHM 1/10W J	CRJ10DJ472T
DSP	RC76		nsp	00MNN05473610	CHIP RES.	47K OHM 1/10W J	CRJ10DJ473T
DSP	RC77		nsp	00MNN05473610	CHIP RES.	47K OHM 1/10W J	CRJ10DJ473T
DSP	RC78		nsp	00MNN05101610	CHIP RES.	100 OHM 1/10W J	CRJ10DJ101T
DSP	RC79		nsp	00MNN05101610	CHIP RES.	100 OHM 1/10W J	CRJ10DJ101T
DSP	RC80	/N1B	nsp	00MNN05222610	CHIP RES.	2.2K OHM 1/10W J	CRJ10DJ222T
DSP	RC81	/N1B	nsp	00MNN05683610	CHIP RES.	68K OHM 1/10W J	CRJ10DJ683T
DSP	RC81	/U1B	nsp	00MNN05000610	CHIP RES.	0 OHM 1/10W J	CRJ10DJ0R0T
DSP	RC82	/N1B	nsp	00MNN05223610	CHIP RES.	22K OHM 1/10W J	CRJ10DJ223T
DSP	RC83	/N1B	nsp	00MNN05223610	CHIP RES.	22K OHM 1/10W J	CRJ10DJ223T
DSP	RC84		nsp	00MNN05103610	CHIP RES.	10K OHM 1/10W J	CRJ10DJ103T
DSP	RC85		nsp	00MNN05473610	CHIP RES.	47K OHM 1/10W J	CRJ10DJ473T
DSP	RC86		nsp	00MNN05472610	CHIP RES.	4.7K OHM 1/10W J	CRJ10DJ472T
DSP	RC87		nsp	00MNN05473610	CHIP RES.	47K OHM 1/10W J	CRJ10DJ473T
DSP	RC88		nsp	00MNN05472610	CHIP RES.	4.7K OHM 1/10W J	CRJ10DJ472T
DSP	RC89		nsp	00MNN05473610	CHIP RES.	47K OHM 1/10W J	CRJ10DJ473T
DSP	RC91		nsp	00MNN05473610	CHIP RES.	47K OHM 1/10W J	CRJ10DJ473T
DSP	RC93	/U1B	nsp	00MNN05103610	CHIP RES.	10K OHM 1/10W J	CRJ10DJ103T
DSP	RC94	/U1B	nsp	00MNN05103610	CHIP RES.	10K OHM 1/10W J	CRJ10DJ103T
DSP	RC95	/U1B	nsp	00MNN05103610	CHIP RES.	10K OHM 1/10W J	CRJ10DJ103T
DSP	RC96	/U1B	nsp	00MNN05103610	CHIP RES.	10K OHM 1/10W J	CRJ10DJ103T
DSP	RC97	/U1B	nsp	00MNN05473610	CHIP RES.	47K OHM 1/10W J	CRJ10DJ473T
DSP	RC98	/U1B	nsp	00MNN05473610	CHIP RES.	47K OHM 1/10W J	CRJ10DJ473T
DSP	RC99	/U1B	nsp	00MNN05473610	CHIP RES.	47K OHM 1/10W J	CRJ10DJ473T
DSP	RN10		90M-BW000390R	90M-BW000390R	RES. COMPO.	ARC 241 100R ARRAY	CRJ104DJ101T
DSP	RN11		90M-BW000390R	90M-BW000390R	RES. COMPO.	ARC 241 100R ARRAY	CRJ104DJ101T
DSP	RN12		90M-BW000390R	90M-BW000390R	RES. COMPO.	ARC 241 100R ARRAY	CRJ104DJ101T
DSP	RN13		90M-BW000390R	90M-BW000390R	RES. COMPO.	ARC 241 100R ARRAY	CRJ104DJ101T
DSP	RN14		90M-BW000390R	90M-BW000390R	RES. COMPO.	ARC 241 100R ARRAY	CRJ104DJ101T
DSP	RN15		90M-BW000390R	90M-BW000390R	RES. COMPO.	ARC 241 100R ARRAY	CRJ104DJ101T
DSP	RN16		90M-BW000390R	90M-BW000390R	RES. COMPO.	ARC 241 100R ARRAY	CRJ104DJ101T
DSP	RN17		90M-BW000390R	90M-BW000390R	RES. COMPO.	ARC 241 100R ARRAY	CRJ104DJ101T
DSP	RN18		90M-BW000390R	90M-BW000390R	RES. COMPO.	ARC 241 100R ARRAY	CRJ104DJ101T
DSP	RN19		90M-BW000390R	90M-BW000390R	RES. COMPO.	ARC 241 100R ARRAY	CRJ104DJ101T
DSP	RN20		90M-BW000390R	90M-BW000390R	RES. COMPO.	ARC 241 100R ARRAY	CRJ104DJ101T
DSP	RN21		90M-BW000390R	90M-BW000390R	RES. COMPO.	ARC 241 100R ARRAY	CRJ104DJ101T
DSP	RN22		90M-BW000390R	90M-BW000390R	RES. COMPO.	ARC 241 100R ARRAY	CRJ104DJ101T
DSP	RO13	/U1B	nsp	00MNN05000610	CHIP RES.	0 OHM 1/10W J	CRJ10DJ0R0T
DSP	RO14	/N1B	nsp	00MNN05000610	CHIP RES.	0 OHM 1/10W J	CRJ10DJ0R0T
DSP	RR10		00MNM11800020	00MNM11800020	CHIP RES.	180 OHM 1%	CRJ10DF1800T
DSP	RR11		00MNM11800020	00MNM11800020	CHIP RES.	180 OHM 1%	CRJ10DF1800T
DSP	RR13		00MNM12200020	00MNM12200020	CHIP RES.	220 OHM 1%	CRJ10DF2200T
DSP	RR14		00MNM1033G020	00MNM1033G020	CHIP RES.	3.3 OHM 1%	CRJ10DF3R30T
DSP	RR15		00MNM12200020	00MNM12200020	CHIP RES.	220 OHM 1%	CRJ10DF2200T
DSP	RR19		00MNM12200020	00MNM12200020	CHIP RES.	220 OHM 1%	CRJ10DF2200T
DSP	RR20		00MNM12200020	00MNM12200020	CHIP RES.	220 OHM 1%	CRJ10DF2200T
DSP	RR21		00MNM11800020	00MNM11800020	CHIP RES.	180 OHM 1%	CRJ10DF1800T
DSP	RR22		00MNM11800020	00MNM11800020	CHIP RES.	180 OHM 1%	CRJ10DF1800T
DSP	RR23		00MNM12200020	00MNM12200020	CHIP RES.	220 OHM 1%	CRJ10DF2200T
DSP	RR24		nsp	00MNN05222610	CHIP RES.	2.2K OHM 1/10W J	CRJ10DJ222T
DSP	RR25		nsp	00MNN05183610	CHIP RES.	18K OHM 1/10W J	CRJ10DJ183T
DSP	RR26		nsp	00MNN05222610	CHIP RES.	2.2K OHM 1/10W J	CRJ10DJ222T
DSP	RR27		nsp	00MNN05103610	CHIP RES.	10K OHM 1/10W J	CRJ10DJ103T
DSP	RR28		nsp	00MNN05223610	CHIP RES.	22K OHM 1/10W J	CRJ10DJ223T
DSP	RR29		nsp	00MNN05103610	CHIP RES.	10K OHM 1/10W J	CRJ10DJ103T
DSP	RR30		nsp	00MNN05000610	CHIP RES.	0 OHM 1/10W J	CRJ10DJ0R0T
DSP	RR32		nsp	00MNN05103610	CHIP RES.	10K OHM 1/10W J	CRJ10DJ103T
DSP	RR34		nsp	00MNN05000610	CHIP RES.	0 OHM 1/10W J	CRJ10DJ0R0T

NOTE : "nsp" PART IS LISTED FOR REFERENCE ONLY, MARANTZ WILL NOT SUPPLY THESE PARTS

P.W.B. NAME	POS. NO.	VERS. COLOR	PART NO. (FOR EUR)	PART NO. (MZ)	PART NAME	DESCRIPTION
DSP	RR35		nsp	00MNN05103610	CHIP RES.	10K OHM 1/10W J CRJ10DJ103T
DSP	RR36		nsp	00MNN05103610	CHIP RES.	10K OHM 1/10W J CRJ10DJ103T
DSP	RR37		nsp	00MNN05103610	CHIP RES.	10K OHM 1/10W J CRJ10DJ103T
DSP	RR38		nsp	00MNN05103610	CHIP RES.	10K OHM 1/10W J CRJ10DJ103T
DSP	RR39		nsp	00MNN05103610	CHIP RES.	10K OHM 1/10W J CRJ10DJ103T
DSP	RR40	/U1B	nsp	00MNN05104610	CHIP RES.	100K OHM 1/10W J CRJ10DJ104T
DSP	RR41	/U1B	nsp	00MNN05392610	CHIP RES.	3.9K OHM 1/10W J CRJ10DJ392T
DSP	RR42	/U1B	nsp	00MNN05102610	CHIP RES.	1K OHM 1/10W J CRJ10DJ102T
DSP	RR43	/U1B	nsp	00MNN05392610	CHIP RES.	3.9K OHM 1/10W J CRJ10DJ392T
DSP	RR44	/U1B	nsp	00MNN05102610	CHIP RES.	1K OHM 1/10W J CRJ10DJ102T
DSP	RR45	/U1B	nsp	00MNN05104610	CHIP RES.	100K OHM 1/10W J CRJ10DJ104T
DSP	RX10		90M-HP000100R	90M-HP000100R	VARISTOR	RXEF005 POSISTOR CRTXRF005
DSP	RY10		90M-LY000380R	90M-LY000380R	RELAY	AXICOM-D3023 HSL4C008ZE
DSP	RY11	/U1B	nsp	90M-LY000380R	RELAY	AXICOM-D3023 HSL4C008ZE
DSP	SW10		90M-SP001290R	90M-SP001290R	SW	SPLU19XSM011 HSH2B018Z
DSP	XC10		90M-JX001190R	90M-JX001190R	X'TAL	20MHZ HOX20000E220TF
DSP	XC11		90M-JX001340R	90M-JX001340R	X'TAL	24.576MHZ COX24576E180TF
DSP	XC12		90M-JX001420R	90M-JX001420R	X'TAL	17.733MHZ AT-49 12PF COX17733E12TD
FRONT PWB (CUP12076Z)						
FRONT	BK81		nsp	nsp	BRACKET	BRACKET FLT CMD1A468
FRONT	BK82		nsp	nsp	BRACKET	BRACKET FLT CMD1A468
FRONT	BN18		nsp	nsp	CORD	3P WIRE ASSY (250MM 2.5MM) CWB1B003250BM
FRONT	BN19		nsp	nsp	CORD	7P WIRE ASSY (120MM 2.0MM) CWB1A007120EN
FRONT	BN20		nsp	nsp	CORD	5P WIRE ASSY (150MM 2.0MM) CWB1A005150EN
FRONT	BN30		nsp	nsp	CORD	5P WIRE ASSY (100MM 2.0MM) CWB1A005100EN
FRONT	BN31		nsp	nsp	CORD	5P WIRE ASSY (100MM 2.0MM) CWB1A005100EN
FRONT	BN45		nsp	nsp	CORD	9P WIRE ASSY (400MM 2.5MM) CWB1B009400BM
FRONT	BN76		nsp	nsp	CORD	2P WIRE ASSY (100MM 2.0MM) CIZAV8003BN76
FRONT	C801		nsp	00MEJ10601610	ELECT CAP.	100UF 16V KS CCEA1CKS101T
FRONT	C802		nsp	00MEJ10601640	ELECT CAP.	10UF 16V KS CCEA1CKS100T
FRONT	C804		nsp	nsp	CER. CAP.	0.1UF 50V Z CCBS1H104ZFT
FRONT	C805		nsp	nsp	CER. CAP.	0.1UF 50V Z CCBS1H104ZFT
FRONT	C806		nsp	00MOA10703520	ELECT CAP.	100UF 35V CCEA1VH101T
FRONT	C807		nsp	nsp	CER. CAP.	0.1UF 50V Z CCBS1H104ZFT
FRONT	C809		nsp	nsp	CER. CAP.	0.1UF 50V Z CCBS1H104ZFT
FRONT	C810		nsp	nsp	CER. CAP.	0.1UF 50V Z CCBS1H104ZFT
FRONT	C811		nsp	nsp	CER. CAP.	100PF 50V K CCBS1H101KBT
FRONT	C812		nsp	nsp	CER. CAP.	0.1UF 50V Z CCBS1H104ZFT
FRONT	C813		nsp	00MEJ10601610	ELECT CAP.	100UF 16V KS CCEA1CKS101T
FRONT	C816		nsp	nsp	CER. CAP.	0.1UF 50V Z CCBS1H104ZFT
FRONT	C817		nsp	nsp	CER. CAP.	0.1UF 50V Z CCBS1H104ZFT
FRONT	C818		nsp	nsp	CER. CAP.	0.1UF 50V Z CCBS1H104ZFT
FRONT	C820		nsp	nsp	CER. CAP.	0.1UF 50V Z CCBS1H104ZFT
FRONT	C820	/U1B	nsp	nsp	CER. CAP.	0.1UF 50V Z CCBS1H104ZFT
FRONT	C821		nsp	90M-EJ000040R	ELECT CAP.	10UF 50V KS CCEA1HKS100T
FRONT	C822		nsp	nsp	CER. CAP.	0.1UF 50V Z CCBS1H104ZFT
FRONT	C824		nsp	nsp	CER. CAP.	0.1UF 50V Z CCBS1H104ZFT
FRONT	C825		nsp	nsp	CER. CAP.	390PF 50V KB CCBS1H391KBT
FRONT	C826		nsp	nsp	CER. CAP.	100PF 50V K CCBS1H101KBT
FRONT	C827		nsp	nsp	CER. CAP.	0.1UF 50V Z CCBS1H104ZFT
FRONT	C828		nsp	00MEJ10601610	ELECT CAP.	100UF 16V KS CCEA1CKS101T
FRONT	C829		nsp	90M-EJ000040R	ELECT CAP.	10UF 50V KS CCEA1HKS100T
FRONT	C830		nsp	90M-EJ000040R	ELECT CAP.	10UF 50V KS CCEA1HKS100T
FRONT	C881		nsp	nsp	CER. CAP.	470PF 50V CCBS1H471KBT
FRONT	C882		nsp	00MOA22605020	ELECT CAP.	22UF 50V CCEA1HH220T
FRONT	C883		nsp	90M-EJ000050R	ELECT CAP.	4.7UF 50V CCEA1HKS4R7T
FRONT	C884		nsp	nsp	CER. CAP.	470PF 50V CCBS1H471KBT
FRONT	C891		nsp	90M-EJ000120R	ELECT CAP.	47UF 25V CCEA1EKS470T
FRONT	C893		nsp	nsp	CER. CAP.	0.1UF 50V Z CCBS1H104ZFT
FRONT	C894		nsp	nsp	CER. CAP.	0.1UF 50V Z CCBS1H104ZFT
FRONT	C896		nsp	90M-EJ000050R	ELECT CAP.	4.7UF 50V CCEA1HKS4R7T
FRONT	C968		nsp	nsp	CER. CAP.	0.1UF 50V Z CCBS1H104ZFT
FRONT	C970		nsp	nsp	CER. CAP.	0.1UF 50V Z CCBS1H104ZFT
FRONT	C982		nsp	nsp	CER. CAP.	100PF 50V K CCBS1H101KBT
FRONT	CN64		nsp	nsp	CONN.	17P WAFER FFC FCZ100E-17SSK CJP17GA117ZY
FRONT	D802		90M-HI101040R	90M-HI101040R	L.E.D.	SLR342VCTB7T089 HVD342VCTB7T089
FRONT	D803		90M-HI101190R	90M-HI101190R	L.E.D.	BLUE LED TOL-52CSBBCEAB2 CVD52CSBBCEAB2

NOTE : *nsp* PART IS LISTED FOR REFERENCE ONLY, MARANTZ WILL NOT SUPPLY THESE PARTS.

P.W.B. NAME	POS. NO.	VERS. COLOR	PART NO. (FOR EUR)	PART NO. (MZ)	PART NAME	DESCRIPTION	
FRONT	D811		90M-HI101190R	90M-HI101190R	L.E.D.	BLUE LED TOL-52CSBBCEAB2	CVD52CSBBCEAB2
FRONT	FL81		90M-HQ300620R	90M-HQ300620R	DISPLAY	16-BT-110GNK	HFL16BT110GNK
FRONT	IC81		00MHC10220090	00MHC10220090	IC	NJU3430F VFD DRIVER	HVINJU3430F
FRONT	IC85		00MHC10102090	00MHC10102090	IC	NJM2068MD-TE1	HVINJM2068MDTE1
FRONT	J801		nsp	nsp	CORD	SN95/PB5 0.6	C3A206
FRONT	J802		nsp	nsp	CORD	SN95/PB5 0.6	C3A206
FRONT	J803		nsp	nsp	CORD	SN95/PB5 0.6	C3A206
FRONT	J804		nsp	nsp	CORD	SN95/PB5 0.6	C3A206
FRONT	J805		nsp	nsp	CORD	SN95/PB5 0.6	C3A206
FRONT	J806		nsp	nsp	CORD	SN95/PB5 0.6	C3A206
FRONT	J807		nsp	nsp	CORD	SN95/PB5 0.6	C3A206
FRONT	J808		nsp	nsp	CORD	SN95/PB5 0.6	C3A206
FRONT	J809		nsp	nsp	CORD	SN95/PB5 0.6	C3A206
FRONT	J810		nsp	nsp	CORD	SN95/PB5 0.6	C3A206
FRONT	J811		nsp	nsp	CORD	SN95/PB5 0.6	C3A206
FRONT	J812		nsp	nsp	CORD	SN95/PB5 0.6	C3A206
FRONT	J813		nsp	nsp	CORD	SN95/PB5 0.6	C3A206
FRONT	J814		nsp	nsp	CORD	SN95/PB5 0.6	C3A206
FRONT	J815		nsp	nsp	CORD	SN95/PB5 0.6	C3A206
FRONT	J816		nsp	nsp	CORD	SN95/PB5 0.6	C3A206
FRONT	J817		nsp	nsp	CORD	SN95/PB5 0.6	C3A206
FRONT	J818		nsp	nsp	CORD	SN95/PB5 0.6	C3A206
FRONT	J819		nsp	nsp	CORD	SN95/PB5 0.6	C3A206
FRONT	J820		nsp	nsp	CORD	SN95/PB5 0.6	C3A206
FRONT	J821		nsp	nsp	CORD	SN95/PB5 0.6	C3A206
FRONT	J822		nsp	nsp	CORD	SN95/PB5 0.6	C3A206
FRONT	J823		nsp	nsp	CORD	SN95/PB5 0.6	C3A206
FRONT	J824		nsp	nsp	CORD	SN95/PB5 0.6	C3A206
FRONT	J825		nsp	nsp	CORD	SN95/PB5 0.6	C3A206
FRONT	J826		nsp	nsp	CORD	SN95/PB5 0.6	C3A206
FRONT	J827		nsp	nsp	CORD	SN95/PB5 0.6	C3A206
FRONT	J828		nsp	nsp	CORD	SN95/PB5 0.6	C3A206
FRONT	J829		nsp	nsp	CORD	SN95/PB5 0.6	C3A206
FRONT	J830		nsp	nsp	CORD	SN95/PB5 0.6	C3A206
FRONT	J831		nsp	nsp	CORD	SN95/PB5 0.6	C3A206
FRONT	J832		nsp	nsp	CORD	SN95/PB5 0.6	C3A206
FRONT	J833		nsp	nsp	CORD	SN95/PB5 0.6	C3A206
FRONT	J834		nsp	nsp	CORD	SN95/PB5 0.6	C3A206
FRONT	J835		nsp	nsp	CORD	SN95/PB5 0.6	C3A206
FRONT	J836		nsp	nsp	CORD	SN95/PB5 0.6	C3A206
FRONT	Q801		00MBA10001000	00MBA10001000	TRS.	KRA102M	HVTKRA102MT
FRONT	Q803		00MHT30001000	00MHT30001000	TRS.	KTC3199Y	HVTKTC3199YT
FRONT	Q806		00MBA10001000	00MBA10001000	TRS.	KRA102M	HVTKRA102MT
FRONT	Q808		00MBA20001000	00MBA20001000	TRS.	KRC102M	HVTKRC102MT
FRONT	Q809		00MBA10001000	00MBA10001000	TRS.	KRA102M	HVTKRA102MT
FRONT	Q811		00MBA10001000	00MBA10001000	TRS.	KRA102M	HVTKRA102MT
FRONT	R805		nsp	nsp	RES.	100 OHM 1/6W J CARBON	CRD20TJ101T
FRONT	R810		nsp	nsp	RES.	5.6K OHM 1/6W J CARBON	CRD20TJ562T
FRONT	R811		nsp	nsp	RES.	2.7K OHM 1/6W J CARBON	CRD20TJ272T
FRONT	R812		nsp	nsp	RES.	2.2K OHM 1/6W J CARBON	CRD20TJ222T
FRONT	R813		nsp	nsp	RES.	1.5K OHM 1/6W J CARBON	CRD20TJ152T
FRONT	R814		nsp	nsp	RES.	1K OHM 1/6W J CARBON	CRD20TJ102T
FRONT	R815		nsp	nsp	RES.	820 OHM 1/6W J CARBON	CRD20TJ821T
FRONT	R816		nsp	nsp	RES.	560 OHM 1/6W J CARBON	CRD20TJ561T
FRONT	R817		nsp	nsp	RES.	680 OHM 1/6W J CARBON	CRD20TJ681T
FRONT	R818		nsp	nsp	RES.	5.6K OHM 1/6W J CARBON	CRD20TJ562T
FRONT	R819		nsp	nsp	RES.	2.7K OHM 1/6W J CARBON	CRD20TJ272T
FRONT	R820		nsp	nsp	RES.	2.2K OHM 1/6W J CARBON	CRD20TJ222T
FRONT	R821		nsp	nsp	RES.	1.5K OHM 1/6W J CARBON	CRD20TJ152T
FRONT	R822		nsp	nsp	RES.	1K OHM 1/6W J CARBON	CRD20TJ102T
FRONT	R823		nsp	nsp	RES.	820 OHM 1/6W J CARBON	CRD20TJ821T
FRONT	R824		nsp	nsp	RES.	560 OHM 1/6W J CARBON	CRD20TJ561T
FRONT	R825		nsp	nsp	RES.	680 OHM 1/6W J CARBON	CRD20TJ681T
FRONT	R826		nsp	nsp	RES.	5.6K OHM 1/6W J CARBON	CRD20TJ562T
FRONT	R827		nsp	nsp	RES.	2.7K OHM 1/6W J CARBON	CRD20TJ272T
FRONT	R828		nsp	nsp	RES.	2.2K OHM 1/6W J CARBON	CRD20TJ222T
FRONT	R829		nsp	nsp	RES.	1.5K OHM 1/6W J CARBON	CRD20TJ152T

NOTE : "nsp" PART IS LISTED FOR REFERENCE ONLY, MARANTZ WILL NOT SUPPLY THESE PARTS

P.W.B. NAME	POS. NO.	VERS. COLOR	PART NO. (FOR EUR)	PART NO. (MZ)	PART NAME	DESCRIPTION
FRONT	R830		nsp	nsp	RES.	1K OHM 1/6W J CARBON CRD20TJ102T
FRONT	R831		nsp	nsp	RES.	10K OHM 1/6W J CARBON CRD20TJ103T
FRONT	R833		nsp	nsp	RES.	68K OHM 1/6W J CARBON CRD20TJ683T
FRONT	R845		nsp	nsp	RES.	100 OHM 1/6W J CARBON CRD20TJ101T
FRONT	R846		nsp	nsp	RES.	100K OHM 1/6W J CARBON CRD20TJ104T
FRONT	R866		nsp	nsp	RES.	1.5K OHM 1/6W J CARBON CRD20TJ152T
FRONT	R876		nsp	nsp	RES.	820 OHM 1/6W J CARBON CRD20TJ821T
FRONT	R877		nsp	nsp	RES.	560 OHM 1/6W J CARBON CRD20TJ561T
FRONT	R879		nsp	nsp	RES.	680 OHM 1/6W J CARBON CRD20TJ681T
FRONT	R901		nsp	nsp	RES.	10K OHM 1/6W J CARBON CRD20TJ103T
FRONT	R902		nsp	nsp	RES.	10K OHM 1/6W J CARBON CRD20TJ103T
FRONT	R903		nsp	nsp	RES.	10K OHM 1/6W J CARBON CRD20TJ103T
FRONT	R904		nsp	nsp	RES.	10K OHM 1/6W J CARBON CRD20TJ103T
FRONT	R905		nsp	nsp	RES.	10K OHM 1/6W J CARBON CRD20TJ103T
FRONT	R906		nsp	nsp	RES.	10K OHM 1/6W J CARBON CRD20TJ103T
FRONT	R907		nsp	nsp	RES.	10K OHM 1/6W J CARBON CRD20TJ103T
FRONT	R908		nsp	nsp	RES.	10K OHM 1/6W J CARBON CRD20TJ103T
FRONT	R909		nsp	nsp	RES.	10K OHM 1/6W J CARBON CRD20TJ103T
FRONT	R910		nsp	nsp	RES.	10K OHM 1/6W J CARBON CRD20TJ103T
FRONT	R911		nsp	nsp	RES.	10K OHM 1/6W J CARBON CRD20TJ103T
FRONT	R912		nsp	nsp	RES.	10K OHM 1/6W J CARBON CRD20TJ103T
FRONT	R913		nsp	nsp	RES.	10K OHM 1/6W J CARBON CRD20TJ103T
FRONT	R914		nsp	nsp	RES.	10K OHM 1/6W J CARBON CRD20TJ103T
FRONT	R915		nsp	nsp	RES.	10K OHM 1/6W J CARBON CRD20TJ103T
FRONT	R916		nsp	nsp	RES.	10K OHM 1/6W J CARBON CRD20TJ103T
FRONT	R917		nsp	nsp	RES.	47K OHM 1/6W J CARBON CRD20TJ473T
FRONT	R918		nsp	nsp	RES.	47K OHM 1/6W J CARBON CRD20TJ473T
FRONT	R919		nsp	nsp	RES.	47K OHM 1/6W J CARBON CRD20TJ473T
FRONT	R920		nsp	nsp	RES.	47K OHM 1/6W J CARBON CRD20TJ473T
FRONT	R921		nsp	nsp	RES.	47K OHM 1/6W J CARBON CRD20TJ473T
FRONT	R922		nsp	nsp	RES.	47K OHM 1/6W J CARBON CRD20TJ473T
FRONT	R923		nsp	nsp	RES.	47K OHM 1/6W J CARBON CRD20TJ473T
FRONT	R924		nsp	nsp	RES.	47K OHM 1/6W J CARBON CRD20TJ473T
FRONT	R925		nsp	nsp	RES.	47K OHM 1/6W J CARBON CRD20TJ473T
FRONT	R926		nsp	nsp	RES.	47K OHM 1/6W J CARBON CRD20TJ473T
FRONT	R927		nsp	nsp	RES.	47K OHM 1/6W J CARBON CRD20TJ473T
FRONT	R928		nsp	nsp	RES.	47K OHM 1/6W J CARBON CRD20TJ473T
FRONT	R929		nsp	nsp	RES.	47K OHM 1/6W J CARBON CRD20TJ473T
FRONT	R930		nsp	nsp	RES.	47K OHM 1/6W J CARBON CRD20TJ473T
FRONT	R931		nsp	nsp	RES.	47K OHM 1/6W J CARBON CRD20TJ473T
FRONT	R932		nsp	nsp	RES.	47K OHM 1/6W J CARBON CRD20TJ473T
FRONT	R933		nsp	nsp	RES.	47K OHM 1/6W J CARBON CRD20TJ473T
FRONT	R934		nsp	nsp	RES.	47K OHM 1/6W J CARBON CRD20TJ473T
FRONT	R935		nsp	nsp	RES.	47K OHM 1/6W J CARBON CRD20TJ473T
FRONT	R936		nsp	nsp	RES.	47K OHM 1/6W J CARBON CRD20TJ473T
FRONT	R937		nsp	nsp	RES.	47K OHM 1/6W J CARBON CRD20TJ473T
FRONT	R938		nsp	nsp	RES.	47K OHM 1/6W J CARBON CRD20TJ473T
FRONT	R939		nsp	nsp	RES.	47K OHM 1/6W J CARBON CRD20TJ473T
FRONT	R940		nsp	nsp	RES.	47K OHM 1/6W J CARBON CRD20TJ473T
FRONT	R941		nsp	nsp	RES.	47K OHM 1/6W J CARBON CRD20TJ473T
FRONT	R942		nsp	nsp	RES.	47K OHM 1/6W J CARBON CRD20TJ473T
FRONT	R943		nsp	nsp	RES.	47K OHM 1/6W J CARBON CRD20TJ473T
FRONT	R944		nsp	nsp	RES.	47K OHM 1/6W J CARBON CRD20TJ473T
FRONT	R945		nsp	nsp	RES.	47K OHM 1/6W J CARBON CRD20TJ473T
FRONT	R946		nsp	nsp	RES.	47K OHM 1/6W J CARBON CRD20TJ473T
FRONT	R947		nsp	nsp	RES.	47K OHM 1/6W J CARBON CRD20TJ473T
FRONT	R948		nsp	nsp	RES.	47K OHM 1/6W J CARBON CRD20TJ473T
FRONT	R949		nsp	nsp	RES.	47K OHM 1/6W J CARBON CRD20TJ473T
FRONT	R950		nsp	nsp	RES.	47K OHM 1/6W J CARBON CRD20TJ473T
FRONT	R951		nsp	nsp	RES.	47K OHM 1/6W J CARBON CRD20TJ473T
FRONT	R952		nsp	nsp	RES.	47K OHM 1/6W J CARBON CRD20TJ473T
FRONT	R953		nsp	nsp	RES.	47K OHM 1/6W J CARBON CRD20TJ473T
FRONT	R968		nsp	nsp	RES.	10K OHM 1/6W J CARBON CRD20TJ103T
FRONT	R969		nsp	nsp	RES.	220 OHM 1/6W J CARBON CRD20TJ221T
FRONT	R970		nsp	nsp	RES.	10K OHM 1/6W J CARBON CRD20TJ103T
FRONT	R971		nsp	nsp	RES.	270 OHM 1/6W J CARBON CRD20TJ271T
FRONT	R972		nsp	nsp	RES.	220 OHM 1/6W J CARBON CRD20TJ221T

NOTE : *nsp* PART IS LISTED FOR REFERENCE ONLY, MARANTZ WILL NOT SUPPLY THESE PARTS.

P.W.B. NAME	POS. NO.	VERS. COLOR	PART NO. (FOR EUR)	PART NO. (MZ)	PART NAME	DESCRIPTION
FRONT	R973		nsp	nsp	RES.	47K OHM 1/6W J CARBON CRD20TJ473T
FRONT	R974		nsp	nsp	RES.	220 OHM 1/6W J CARBON CRD20TJ221T
FRONT	R975		nsp	nsp	RES.	220 OHM 1/6W J CARBON CRD20TJ221T
FRONT	R976		nsp	nsp	RES.	47K OHM 1/6W J CARBON CRD20TJ473T
FRONT	R977		nsp	nsp	RES.	4.7K OHM 1/6W J CARBON CRD20TJ472T
FRONT	R978		nsp	nsp	RES.	470 OHM 1/6W J CARBON CRD20TJ471T
FRONT	R981		nsp	nsp	RES.	4.7K OHM 1/6W J CARBON CRD20TJ472T
FRONT	R982		nsp	nsp	RES.	2.2K OHM 1/6W J CARBON CRD20TJ222T
FRONT	R984		nsp	nsp	RES.	4.7K OHM 1/6W J CARBON CRD20TJ472T
FRONT	R986		nsp	nsp	RES.	12K OHM 1/6W J CARBON CRD20TJ123T
FRONT	R989		nsp	nsp	RES.	330 OHM 1/6W J CARBON CRD20TJ331T
FRONT	RC81		90M-HW100650R	90M-HW100650R	PHOTO UNIT	RPM6936-H4 HRV RPM6936H4
FRONT	SW71		90M-SP001210R	90M-SP001210R	SW	SKHV10910G TACT CST1A012ZT
FRONT	SW72		90M-SP001210R	90M-SP001210R	SW	SKHV10910G TACT CST1A012ZT
FRONT	SW73		90M-SP001210R	90M-SP001210R	SW	SKHV10910G TACT CST1A012ZT
FRONT	SW74		90M-SP001210R	90M-SP001210R	SW	SKHV10910G TACT CST1A012ZT
FRONT	SW76		90M-SP001210R	90M-SP001210R	SW	SKHV10910G TACT CST1A012ZT
FRONT	SW77		90M-SP001210R	90M-SP001210R	SW	SKHV10910G TACT CST1A012ZT
FRONT	SW79		90M-SP001210R	90M-SP001210R	SW	SKHV10910G TACT CST1A012ZT
FRONT	SW81		90M-SP001210R	90M-SP001210R	SW	SKHV10910G TACT CST1A012ZT
FRONT	SW82		90M-SP001210R	90M-SP001210R	SW	SKHV10910G TACT CST1A012ZT
FRONT	SW83		90M-SP001210R	90M-SP001210R	SW	SKHV10910G TACT CST1A012ZT
FRONT	SW84		90M-SP001210R	90M-SP001210R	SW	SKHV10910G TACT CST1A012ZT
FRONT	SW85		90M-SP001210R	90M-SP001210R	SW	SKHV10910G TACT CST1A012ZT
FRONT	SW86		90M-SP001210R	90M-SP001210R	SW	SKHV10910G TACT CST1A012ZT
FRONT	SW87		90M-SP001210R	90M-SP001210R	SW	SKHV10910G TACT CST1A012ZT
FRONT	SW88		90M-SP001210R	90M-SP001210R	SW	SKHV10910G TACT CST1A012ZT
FRONT	SW89		90M-SP001210R	90M-SP001210R	SW	SKHV10910G TACT CST1A012ZT
FRONT	SW90		90M-SP001210R	90M-SP001210R	SW	SKHV10910G TACT CST1A012ZT
FRONT	SW91		90M-SP001210R	90M-SP001210R	SW	SKHV10910G TACT CST1A012ZT
FRONT	SW92		90M-SP001210R	90M-SP001210R	SW	SKHV10910G TACT CST1A012ZT
FRONT	SW95		90M-SP001210R	90M-SP001210R	SW	SKHV10910G TACT CST1A012ZT
FRONT	SW96		90M-SP001210R	90M-SP001210R	SW	SKHV10910G TACT CST1A012ZT
					H/P PWB (CUP12076Z)	
H/P	C874		nsp	nsp	CER. CAP.	470PF 50V CCBS1H471KBT
H/P	C875		nsp	nsp	CER. CAP.	470PF 50V CCBS1H471KBT
H/P	C876		nsp	nsp	CER. CAP.	0.1UF 50V Z CCBS1H104ZFT
H/P	CN89		nsp	nsp	CONN.	5P STRAIGHT 20017WS-05 CJP05GA19ZY
H/P	JK91		90M-YT004500R	90M-YT004500R	TERMINAL	JACK SIL VER PJ-612A-51 CJJ2E026Z
H/P	JW81		nsp	nsp	CORD	WIRE(1P) CWE8102080RV
H/P	JW82		nsp	nsp	CORD	WIRE(1P) CWE8102080RV
H/P	R847		nsp	nsp	RES.	470 OHM 1/6W J CARBON CRD20TJ471T
					HD RADIO PWB (CUP11990Y)	
HD RADIO	BK91	/U1B	nsp	nsp	BRACKET	BRACKET FOR PWB CMD1A569
HD RADIO	BK92	/U1B	nsp	nsp	BRACKET	BRACKET FOR PWB CMD1A569
HD RADIO	BK93	/U1B	nsp	nsp	TERMINAL	EARTH PLATE CNE75
HD RADIO	BN91	/U1B	nsp	nsp	CORD	WIRE ASSY 16P 12MM CWZSR7002BN92
HD RADIO	C901	/U1B	nsp	00MDD9515030R	CER. CAP.	15PF 50V JA CCUS1H150JA
HD RADIO	C902	/U1B	nsp	00MDD9515030R	CER. CAP.	15PF 50V JA CCUS1H150JA
HD RADIO	C903	/U1B	nsp	00MDK96104300	CER. CAP.	0.1UF 50V K CCUS1H104KC
HD RADIO	C905	/U1B	nsp	00MDK96103300	CER. CAP.	0.01UF 50V KC CCUS1H103KC
HD RADIO	C906	/U1B	nsp	00MDK96103300	CER. CAP.	0.01UF 50V KC CCUS1H103KC
HD RADIO	C907	/U1B	nsp	90M-EA000930R	ELECT CAP.	3300UF 16V CCEA1CH332E
HD RADIO	C908	/U1B	nsp	00MDK96104300	CER. CAP.	0.1UF 50V K CCUS1H104KC
HD RADIO	C909	/U1B	nsp	00MDK96104300	CER. CAP.	0.1UF 50V K CCUS1H104KC
HD RADIO	C910	/U1B	nsp	00MOA10701620	ELECT CAP.	100UF 16V CCEA1CH101T
HD RADIO	C911	/U1B	nsp	00MOA10701620	ELECT CAP.	100UF 16V CCEA1CH101T
HD RADIO	C912	/U1B	nsp	00MDK96104300	CER. CAP.	0.1UF 50V K CCUS1H104KC
HD RADIO	C914	/U1B	nsp	00MDK96104300	CER. CAP.	0.1UF 50V K CCUS1H104KC
HD RADIO	C915	/U1B	nsp	00MOA10701620	ELECT CAP.	100UF 16V CCEA1CH101T
HD RADIO	C916	/U1B	nsp	00MDK96104300	CER. CAP.	0.1UF 50V K CCUS1H104KC
HD RADIO	C918	/U1B	nsp	00MDK96103300	CER. CAP.	0.01UF 50V KC CCUS1H103KC
HD RADIO	C919	/U1B	nsp	00MEJ10601610	ELECT CAP.	100UF 16V KS CCEA1CKS101T
HD RADIO	C920	/U1B	nsp	00MDK96103300	CER. CAP.	0.01UF 50V KC CCUS1H103KC
HD RADIO	C921	/U1B	nsp	00MDK96103300	CER. CAP.	0.01UF 50V KC CCUS1H103KC
HD RADIO	C922	/U1B	nsp	00MDK96472300	CER. CAP.	4700PF 50V KC CCUS1H472KC
HD RADIO	C923	/U1B	nsp	00MDK96472300	CER. CAP.	4700PF 50V KC CCUS1H472KC

NOTE : "nsp" PART IS LISTED FOR REFERENCE ONLY, MARANTZ WILL NOT SUPPLY THESE PARTS

P.W.B. NAME	POS. NO.	VERS. COLOR	PART NO. (FOR EUR)	PART NO. (MZ)	PART NAME	DESCRIPTION	
HD RADIO	C924	/U1B	nsp	00MEJ10601610	ELECT CAP.	100UF 16V KS	CCEA1CK5101T
HD RADIO	CN91	/U1B	nsp	nsp	CONN.	17P WAFER FFC 12511HS-17	CJP17GA115ZY
HD RADIO	CN92	/U1B	nsp	nsp	CONN.	2PIN CJP02GA19ZY	CJP02GA19ZY
HD RADIO	CN93	/U1B	nsp	nsp	CONN.	7P WAFER CARD CABLE	CJP07GB113ZY
HD RADIO	CN94	/U1B	nsp	nsp	CONN.	7P WAFER CARD CABLE	CJP07GB113ZY
HD RADIO	D902	/U1B	nsp	00MHZ21303210	DIODE	1SS355	HVD1SS355T
HD RADIO	IC91	/U1B	nsp	90M-HS36CW40R	U-PRO	R5F21246SNFP HD RADIO SR8002	CVIR5F21246SNFP
HD RADIO		/U1B	nsp	00M36CW499D02	SOFTWARE	FIRMWARE FOR IC91 VER07111401	
HD RADIO	IC93	/U1B	nsp	90M-HY200050R	F.E.T.	UPA672T	CVTUPA672T
HD RADIO	▲ IC94	/U1B	nsp	90M-HC300690R	IC	! KIA278R05PI	HV1KIA278R05PI
HD RADIO	IC95	/U1B	nsp	90M-HC301010R	IC	KIA278R00PI	CV1KIA278R00PI
HD RADIO	J901	/U1B	nsp	nsp	CORD	SN95/PB5 0.6	C3A206
HD RADIO	J902	/U1B	nsp	nsp	CORD	SN95/PB5 0.6	C3A206
HD RADIO	J903	/U1B	nsp	nsp	CORD	SN95/PB5 0.6	C3A206
HD RADIO	J904	/U1B	nsp	nsp	CORD	SN95/PB5 0.6	C3A206
HD RADIO	J905	/U1B	nsp	nsp	CORD	SN95/PB5 0.6	C3A206
HD RADIO	J906	/U1B	nsp	nsp	CORD	SN95/PB5 0.6	C3A206
HD RADIO	J907	/U1B	nsp	nsp	CORD	SN95/PB5 0.6	C3A206
HD RADIO	J908	/U1B	nsp	nsp	CORD	SN95/PB5 0.6	C3A206
HD RADIO	J909	/U1B	nsp	nsp	CORD	SN95/PB5 0.6	C3A206
HD RADIO	J910	/U1B	nsp	nsp	CORD	SN95/PB5 0.6	C3A206
HD RADIO	J911	/U1B	nsp	nsp	CORD	SN95/PB5 0.6	C3A206
HD RADIO	J912	/U1B	nsp	nsp	CORD	SN95/PB5 0.6	C3A206
HD RADIO	J913	/U1B	nsp	nsp	CORD	SN95/PB5 0.6	C3A206
HD RADIO	J914	/U1B	nsp	nsp	CORD	SN95/PB5 0.6	C3A206
HD RADIO	J915	/U1B	nsp	nsp	CORD	SN95/PB5 0.6	C3A206
HD RADIO	J916	/U1B	nsp	nsp	CORD	SN95/PB5 0.6	C3A206
HD RADIO	J917	/U1B	nsp	nsp	CORD	SN95/PB5 0.6	C3A206
HD RADIO	J918	/U1B	nsp	nsp	CORD	SN95/PB5 0.6	C3A206
HD RADIO	J919	/U1B	nsp	nsp	CORD	SN95/PB5 0.6	C3A206
HD RADIO	J920	/U1B	nsp	nsp	CORD	SN95/PB5 0.6	C3A206
HD RADIO	J921	/U1B	nsp	nsp	CORD	SN95/PB5 0.6	C3A206
HD RADIO	J922	/U1B	nsp	nsp	CORD	SN95/PB5 0.6	C3A206
HD RADIO	J923	/U1B	nsp	nsp	CORD	SN95/PB5 0.6	C3A206
HD RADIO	J924	/U1B	nsp	nsp	CORD	SN95/PB5 0.6	C3A206
HD RADIO	J925	/U1B	nsp	nsp	CORD	SN95/PB5 0.6	C3A206
HD RADIO	J926	/U1B	nsp	nsp	CORD	SN95/PB5 0.6	C3A206
HD RADIO	J927	/U1B	nsp	nsp	CORD	SN95/PB5 0.6	C3A206
HD RADIO	J928	/U1B	nsp	nsp	CORD	SN95/PB5 0.6	C3A206
HD RADIO	J929	/U1B	nsp	nsp	CORD	SN95/PB5 0.6	C3A206
HD RADIO	J930	/U1B	nsp	nsp	CORD	SN95/PB5 0.6	C3A206
HD RADIO	J931	/U1B	nsp	nsp	CORD	SN95/PB5 0.6	C3A206
HD RADIO	J932	/U1B	nsp	nsp	CORD	SN95/PB5 0.6	C3A206
HD RADIO	J933	/U1B	nsp	nsp	CORD	SN95/PB5 0.6	C3A206
HD RADIO	J934	/U1B	nsp	nsp	CORD	SN95/PB5 0.6	C3A206
HD RADIO	J935	/U1B	nsp	nsp	CORD	SN95/PB5 0.6	C3A206
HD RADIO	J936	/U1B	nsp	nsp	CORD	SN95/PB5 0.6	C3A206
HD RADIO	J937	/U1B	nsp	nsp	CORD	SN95/PB5 0.6	C3A206
HD RADIO	J938	/U1B	nsp	nsp	CORD	SN95/PB5 0.6	C3A206
HD RADIO	J939	/U1B	nsp	nsp	CORD	SN95/PB5 0.6	C3A206
HD RADIO	J940	/U1B	nsp	nsp	CORD	SN95/PB5 0.6	C3A206
HD RADIO	J941	/U1B	nsp	nsp	CORD	SN95/PB5 0.6	C3A206
HD RADIO	J942	/U1B	nsp	nsp	CORD	SN95/PB5 0.6	C3A206
HD RADIO	J943	/U1B	nsp	nsp	CORD	SN95/PB5 0.6	C3A206
HD RADIO	J944	/U1B	nsp	nsp	CORD	SN95/PB5 0.6	C3A206
HD RADIO	L901	/U1B	nsp	90M-FC900460R	EMI FILTER	CHIP BEAD NFM21PC474R1C3	CLZ9R007Z
HD RADIO	L902	/U1B	nsp	90M-LU000270R	CHIP INDUCT	INDUCTOR CHIP NLCV32T-100K-PF	CLQ10E100KRY
HD RADIO	L903	/U1B	nsp	90M-LU000270R	CHIP INDUCT	INDUCTOR CHIP NLCV32T-100K-PF	CLQ10E100KRY
HD RADIO	Q901	/U1B	nsp	90M-HX800010R	CHIP TRS.	KRC102S	HVTKRC102S
HD RADIO	Q902	/U1B	nsp	90M-HX800010R	CHIP TRS.	KRC102S	HVTKRC102S
HD RADIO	Q903	/U1B	nsp	90M-HX800010R	CHIP TRS.	KRC102S	HVTKRC102S
HD RADIO	Q904	/U1B	nsp	90M-HX800010R	CHIP TRS.	KRC102S	HVTKRC102S
HD RADIO	R901	/U1B	nsp	00MNN05103610	CHIP RES.	10K OHM 1/10W J	CRJ10DJ103T
HD RADIO	R902	/U1B	nsp	00MNN05103610	CHIP RES.	10K OHM 1/10W J	CRJ10DJ103T
HD RADIO	R904	/U1B	nsp	00MNN05103610	CHIP RES.	10K OHM 1/10W J	CRJ10DJ103T
HD RADIO	R906	/U1B	nsp	00MNN05000610	CHIP RES.	0 OHM 1/10W J	CRJ10DJ0R0T
HD RADIO	R907	/U1B	nsp	00MNN05103610	CHIP RES.	10K OHM 1/10W J	CRJ10DJ103T

NOTE : *nsp* PART IS LISTED FOR REFERENCE ONLY, MARANTZ WILL NOT SUPPLY THESE PARTS.

P.W.B. NAME	POS. NO.	VERS. COLOR	PART NO. (FOR EUR)	PART NO. (MZ)	PART NAME	DESCRIPTION	
HD RADIO	R908	/U1B	nsp	00MNN05103610	CHIP RES.	10K OHM 1/10W J	CRJ10DJ103T
HD RADIO	R909	/U1B	nsp	00MNN05332610	CHIP RES.	3.3K OHM 1/10W J	CRJ10DJ332T
HD RADIO	R910	/U1B	nsp	00MNN05103610	CHIP RES.	10K OHM 1/10W J	CRJ10DJ103T
HD RADIO	R911	/U1B	nsp	00MNN05103610	CHIP RES.	10K OHM 1/10W J	CRJ10DJ103T
HD RADIO	R912	/U1B	nsp	00MNN05103610	CHIP RES.	10K OHM 1/10W J	CRJ10DJ103T
HD RADIO	R913	/U1B	nsp	00MNN05332610	CHIP RES.	3.3K OHM 1/10W J	CRJ10DJ332T
HD RADIO	R914	/U1B	nsp	00MNN05103610	CHIP RES.	10K OHM 1/10W J	CRJ10DJ103T
HD RADIO	R915	/U1B	nsp	00MNN05103610	CHIP RES.	10K OHM 1/10W J	CRJ10DJ103T
HD RADIO	R916	/U1B	nsp	00MNN05103610	CHIP RES.	10K OHM 1/10W J	CRJ10DJ103T
HD RADIO	R917	/U1B	nsp	00MNN05103610	CHIP RES.	10K OHM 1/10W J	CRJ10DJ103T
HD RADIO	R918	/U1B	nsp	00MNN05103610	CHIP RES.	10K OHM 1/10W J	CRJ10DJ103T
HD RADIO	R919	/U1B	nsp	00MNN05103610	CHIP RES.	10K OHM 1/10W J	CRJ10DJ103T
HD RADIO	R920	/U1B	nsp	00MNN05103610	CHIP RES.	10K OHM 1/10W J	CRJ10DJ103T
HD RADIO	R921	/U1B	nsp	00MNN05103610	CHIP RES.	10K OHM 1/10W J	CRJ10DJ103T
HD RADIO	R922	/U1B	nsp	00MNN05103610	CHIP RES.	10K OHM 1/10W J	CRJ10DJ103T
HD RADIO	R923	/U1B	nsp	00MNN05103610	CHIP RES.	10K OHM 1/10W J	CRJ10DJ103T
HD RADIO	R924	/U1B	nsp	00MNN05331610	CHIP RES.	330 OHM 1/10W J	CRJ10DJ331T
HD RADIO	R926	/U1B	nsp	00MNN05000610	CHIP RES.	0 OHM 1/10W J	CRJ10DJ0R0T
HD RADIO	R927	/U1B	nsp	00MNN05331610	CHIP RES.	330 OHM 1/10W J	CRJ10DJ331T
HD RADIO	R928	/U1B	nsp	00MNN05682610	CHIP RES.	6.8K OHM 1/10W J	CRJ10DJ682T
HD RADIO	R929	/U1B	nsp	00MNN05682610	CHIP RES.	6.8K OHM 1/10W J	CRJ10DJ682T
HD RADIO	R932	/U1B	nsp	00MNN05101610	CHIP RES.	100 OHM 1/10W J	CRJ10DJ101T
HD RADIO	R933	/U1B	nsp	00MNN05101610	CHIP RES.	100 OHM 1/10W J	CRJ10DJ101T
HD RADIO	R934	/U1B	nsp	00MNN05101610	CHIP RES.	100 OHM 1/10W J	CRJ10DJ101T
HD RADIO	R935	/U1B	nsp	00MNN05101610	CHIP RES.	100 OHM 1/10W J	CRJ10DJ101T
HD RADIO	R936	/U1B	nsp	00MNN05101610	CHIP RES.	100 OHM 1/10W J	CRJ10DJ101T
HD RADIO	R937	/U1B	nsp	00MNN05101610	CHIP RES.	100 OHM 1/10W J	CRJ10DJ101T
HD RADIO	R938	/U1B	nsp	00MNN05104610	CHIP RES.	100K OHM 1/10W J	CRJ10DJ104T
HD RADIO	R940	/U1B	nsp	00MNN05103610	CHIP RES.	10K OHM 1/10W J	CRJ10DJ103T
HD RADIO	R941	/U1B	nsp	00MNN05103610	CHIP RES.	10K OHM 1/10W J	CRJ10DJ103T
HD RADIO	R942	/U1B	nsp	00MNN05103610	CHIP RES.	10K OHM 1/10W J	CRJ10DJ103T
HD RADIO	R943	/U1B	nsp	00MNN05103610	CHIP RES.	10K OHM 1/10W J	CRJ10DJ103T
HD RADIO	R944	/U1B	nsp	00MNN05103610	CHIP RES.	10K OHM 1/10W J	CRJ10DJ103T
HD RADIO	R945	/U1B	nsp	00MNN05103610	CHIP RES.	10K OHM 1/10W J	CRJ10DJ103T
HD RADIO	R946	/U1B	nsp	00MNN05103610	CHIP RES.	10K OHM 1/10W J	CRJ10DJ103T
HD RADIO	R947	/U1B	nsp	00MNN05103610	CHIP RES.	10K OHM 1/10W J	CRJ10DJ103T
HD RADIO	R948	/U1B	nsp	00MNN05103610	CHIP RES.	10K OHM 1/10W J	CRJ10DJ103T
HD RADIO	R949	/U1B	nsp	00MNN05103610	CHIP RES.	10K OHM 1/10W J	CRJ10DJ103T
HD RADIO	R950	/U1B	nsp	00MNN05103610	CHIP RES.	10K OHM 1/10W J	CRJ10DJ103T
HD RADIO	R951	/U1B	nsp	00MNN05103610	CHIP RES.	10K OHM 1/10W J	CRJ10DJ103T
HD RADIO	R952	/U1B	nsp	00MNN05103610	CHIP RES.	10K OHM 1/10W J	CRJ10DJ103T
HD RADIO	R953	/U1B	nsp	00MNN05103610	CHIP RES.	10K OHM 1/10W J	CRJ10DJ103T
HD RADIO	R954	/U1B	nsp	00MNN05103610	CHIP RES.	10K OHM 1/10W J	CRJ10DJ103T
HD RADIO	R955	/U1B	nsp	00MNN05103610	CHIP RES.	10K OHM 1/10W J	CRJ10DJ103T
HD RADIO	R956	/U1B	nsp	00MNN05103610	CHIP RES.	10K OHM 1/10W J	CRJ10DJ103T
HD RADIO	R957	/U1B	nsp	00MNN05103610	CHIP RES.	10K OHM 1/10W J	CRJ10DJ103T
HD RADIO	R958	/U1B	nsp	00MNN05103610	CHIP RES.	10K OHM 1/10W J	CRJ10DJ103T
HD RADIO	R959	/U1B	nsp	00MNN05103610	CHIP RES.	10K OHM 1/10W J	CRJ10DJ103T
HD RADIO	R960	/U1B	nsp	00MNN05103610	CHIP RES.	10K OHM 1/10W J	CRJ10DJ103T
HD RADIO	R961	/U1B	nsp	00MNN05103610	CHIP RES.	10K OHM 1/10W J	CRJ10DJ103T
HD RADIO	R962	/U1B	nsp	00MNN05103610	CHIP RES.	10K OHM 1/10W J	CRJ10DJ103T
HD RADIO	R963	/U1B	nsp	943124001530S	CHIP RES.	470 OHM/1608/1%	CRJ10DF470T
HD RADIO	R964	/U1B	nsp	943124001540S	CHIP RES.	681 OHM/1608/1%	CRJ10DF681T
HD RADIO	R965	/U1B	nsp	00MNN05820610	CHIP RES.	82 OHM 1/10W J	CRJ10DJ820T
HD RADIO	X901	/U1B	nsp	90M-JX001370R	X'TAL	16.000MHZ	CCX16000E120TF
HDMI PWB (CUP12051Z)							
HDMI	BK11		nsp	nsp	BRACKET	BRACKET FOR PWB	CMD1A569
HDMI	BK12		nsp	nsp	BRACKET	BRACKET FOR PWB	CMD1A569
HDMI	BN42		nsp	nsp	CORD	7P WIRE ASSY(50MM 2.5MM)	CWB1D007050BM
HDMI	C101		nsp	00MDK96104300	CER. CAP.	0.1UF 50V K	CCUS1H104KC
HDMI	C102		nsp	00MDK96104300	CER. CAP.	0.1UF 50V K	CCUS1H104KC
HDMI	C103		nsp	00MDK96104300	CER. CAP.	0.1UF 50V K	CCUS1H104KC
HDMI	C104		nsp	00MDK96104300	CER. CAP.	0.1UF 50V K	CCUS1H104KC
HDMI	C105		nsp	00MDK96104300	CER. CAP.	0.1UF 50V K	CCUS1H104KC
HDMI	C106		nsp	00MDK96104300	CER. CAP.	0.1UF 50V K	CCUS1H104KC
HDMI	C107		nsp	00MDK96104300	CER. CAP.	0.1UF 50V K	CCUS1H104KC
HDMI	C108		nsp	00MDK96104300	CER. CAP.	0.1UF 50V K	CCUS1H104KC

NOTE : "nsp" PART IS LISTED FOR REFERENCE ONLY, MARANTZ WILL NOT SUPPLY THESE PARTS

P.W.B. NAME	POS. NO.	VERS. COLOR	PART NO. (FOR EUR)	PART NO. (MZ)	PART NAME	DESCRIPTION
HDMI	C109		nsp	00MDK96104300	CER. CAP.	0.1UF 50V K CCUS1H104KC
HDMI	C110		nsp	00MDK96104300	CER. CAP.	0.1UF 50V K CCUS1H104KC
HDMI	C111		nsp	00MOA47602520	ELECT CAP.	47UF 25V CCEA1EH470T
HDMI	C112		nsp	00MDK96104300	CER. CAP.	0.1UF 50V K CCUS1H104KC
HDMI	C113		nsp	00MDK96104300	CER. CAP.	0.1UF 50V K CCUS1H104KC
HDMI	C114		nsp	00MDK96104300	CER. CAP.	0.1UF 50V K CCUS1H104KC
HDMI	C115		nsp	00MDK96104300	CER. CAP.	0.1UF 50V K CCUS1H104KC
HDMI	C116		nsp	00MDK96104300	CER. CAP.	0.1UF 50V K CCUS1H104KC
HDMI	C117		nsp	00MDK96104300	CER. CAP.	0.1UF 50V K CCUS1H104KC
HDMI	C118		nsp	00MOA47602520	ELECT CAP.	47UF 25V CCEA1EH470T
HDMI	C119		nsp	00MDK96104300	CER. CAP.	0.1UF 50V K CCUS1H104KC
HDMI	C120		nsp	00MOA47602520	ELECT CAP.	47UF 25V CCEA1EH470T
HDMI	C121		nsp	00MDK96104300	CER. CAP.	0.1UF 50V K CCUS1H104KC
HDMI	C122		nsp	00MDK96104300	CER. CAP.	0.1UF 50V K CCUS1H104KC
HDMI	C123		nsp	00MDK96104300	CER. CAP.	0.1UF 50V K CCUS1H104KC
HDMI	C124		nsp	00MDK96104300	CER. CAP.	0.1UF 50V K CCUS1H104KC
HDMI	C125		nsp	00MDK96104300	CER. CAP.	0.1UF 50V K CCUS1H104KC
HDMI	C126		nsp	00MDK96104300	CER. CAP.	0.1UF 50V K CCUS1H104KC
HDMI	C127		nsp	00MDK96104300	CER. CAP.	0.1UF 50V K CCUS1H104KC
HDMI	C128		nsp	00MDK96104300	CER. CAP.	0.1UF 50V K CCUS1H104KC
HDMI	C301		nsp	00MOA47602520	ELECT CAP.	47UF 25V CCEA1EH470T
HDMI	C302		nsp	00MDK96104300	CER. CAP.	0.1UF 50V K CCUS1H104KC
HDMI	C303		nsp	00MOA47602520	ELECT CAP.	47UF 25V CCEA1EH470T
HDMI	C304		nsp	00MDK96104300	CER. CAP.	0.1UF 50V K CCUS1H104KC
HDMI	C305		nsp	00MDK96104300	CER. CAP.	0.1UF 50V K CCUS1H104KC
HDMI	C306		nsp	00MDK96104300	CER. CAP.	0.1UF 50V K CCUS1H104KC
HDMI	C307		nsp	00MDK96104300	CER. CAP.	0.1UF 50V K CCUS1H104KC
HDMI	C308		nsp	00MDK96104300	CER. CAP.	0.1UF 50V K CCUS1H104KC
HDMI	C309		nsp	00MDK96104300	CER. CAP.	0.1UF 50V K CCUS1H104KC
HDMI	C310		nsp	00MDK96104300	CER. CAP.	0.1UF 50V K CCUS1H104KC
HDMI	C311		nsp	00MDK96104300	CER. CAP.	0.1UF 50V K CCUS1H104KC
HDMI	C312		nsp	00MDK96104300	CER. CAP.	0.1UF 50V K CCUS1H104KC
HDMI	C313		nsp	00MDK96104300	CER. CAP.	0.1UF 50V K CCUS1H104KC
HDMI	C314		nsp	00MDK96104300	CER. CAP.	0.1UF 50V K CCUS1H104KC
HDMI	C315		nsp	00MDK96104300	CER. CAP.	0.1UF 50V K CCUS1H104KC
HDMI	C316		nsp	00MDK96104300	CER. CAP.	0.1UF 50V K CCUS1H104KC
HDMI	C319		nsp	00MDK96104300	CER. CAP.	0.1UF 50V K CCUS1H104KC
HDMI	C320		nsp	00MDK96104300	CER. CAP.	0.1UF 50V K CCUS1H104KC
HDMI	C321		nsp	00MDK96104300	CER. CAP.	0.1UF 50V K CCUS1H104KC
HDMI	C322		nsp	00MDK96104300	CER. CAP.	0.1UF 50V K CCUS1H104KC
HDMI	C323		nsp	00MDK96104300	CER. CAP.	0.1UF 50V K CCUS1H104KC
HDMI	C324		nsp	00MDK96104300	CER. CAP.	0.1UF 50V K CCUS1H104KC
HDMI	C325		nsp	00MOA47602520	ELECT CAP.	47UF 25V CCEA1EH470T
HDMI	C326		nsp	00MDK96104300	CER. CAP.	0.1UF 50V K CCUS1H104KC
HDMI	C327		nsp	00MOA47602520	ELECT CAP.	47UF 25V CCEA1EH470T
HDMI	C328		nsp	00MDK96104300	CER. CAP.	0.1UF 50V K CCUS1H104KC
HDMI	C329		nsp	00MDK96104300	CER. CAP.	0.1UF 50V K CCUS1H104KC
HDMI	C330		nsp	00MDK96104300	CER. CAP.	0.1UF 50V K CCUS1H104KC
HDMI	C331		nsp	00MDK96104300	CER. CAP.	0.1UF 50V K CCUS1H104KC
HDMI	C332		nsp	00MDK96104300	CER. CAP.	0.1UF 50V K CCUS1H104KC
HDMI	C333		nsp	00MDK96104300	CER. CAP.	0.1UF 50V K CCUS1H104KC
HDMI	C334		nsp	00MDK96104300	CER. CAP.	0.1UF 50V K CCUS1H104KC
HDMI	C335		nsp	00MDK96104300	CER. CAP.	0.1UF 50V K CCUS1H104KC
HDMI	C336		nsp	00MDK96104300	CER. CAP.	0.1UF 50V K CCUS1H104KC
HDMI	C337		nsp	00MOA10705020	ELECT CAP.	100UF 50V RA2-50V101MG3#8 CCEA1HRA101T
HDMI	C338		nsp	00MDK96104300	CER. CAP.	0.1UF 50V K CCUS1H104KC
HDMI	C339		nsp	00MOA47602520	ELECT CAP.	47UF 25V CCEA1EH470T
HDMI	C340		nsp	00MDK96104300	CER. CAP.	0.1UF 50V K CCUS1H104KC
HDMI	C341		nsp	00MDD95270300	CER. CAP.	27PF 50V JA CCUS1H270JA
HDMI	C342		nsp	00MDD95270300	CER. CAP.	27PF 50V JA CCUS1H270JA
HDMI	C343		nsp	00MDK96104300	CER. CAP.	0.1UF 50V K CCUS1H104KC
HDMI	C344		nsp	00MDK96104300	CER. CAP.	0.1UF 50V K CCUS1H104KC
HDMI	C345		nsp	00MDK96104300	CER. CAP.	0.1UF 50V K CCUS1H104KC
HDMI	C346		nsp	00MDK96104300	CER. CAP.	0.1UF 50V K CCUS1H104KC
HDMI	C347		nsp	00MDK96104300	CER. CAP.	0.1UF 50V K CCUS1H104KC
HDMI	C348		nsp	00MOA10705020	ELECT CAP.	100UF 50V RA2-50V101MG3#8 CCEA1HRA101T
HDMI	C349		nsp	00MDK96104300	CER. CAP.	0.1UF 50V K CCUS1H104KC

NOTE : *nsp* PART IS LISTED FOR REFERENCE ONLY, MARANTZ WILL NOT SUPPLY THESE PARTS.

P.W.B. NAME	POS. NO.	VERS. COLOR	PART NO. (FOR EUR)	PART NO. (MZ)	PART NAME	DESCRIPTION	
HDMI	C350		nsp	00MDK96104300	CER. CAP.	0.1UF 50V K	CCUS1H104KC
HDMI	C351		nsp	00MDK96104300	CER. CAP.	0.1UF 50V K	CCUS1H104KC
HDMI	C352		nsp	00MDK96104300	CER. CAP.	0.1UF 50V K	CCUS1H104KC
HDMI	C353		nsp	00MOA47602520	ELECT CAP.	47UF 25V	CCEA1EH470T
HDMI	C354		nsp	00MDK96104300	CER. CAP.	0.1UF 50V K	CCUS1H104KC
HDMI	C355		nsp	00MOA47602520	ELECT CAP.	47UF 25V	CCEA1EH470T
HDMI	C356		nsp	00MDK96104300	CER. CAP.	0.1UF 50V K	CCUS1H104KC
HDMI	C357		nsp	00MDK96104300	CER. CAP.	0.1UF 50V K	CCUS1H104KC
HDMI	C358		nsp	00MDK96104300	CER. CAP.	0.1UF 50V K	CCUS1H104KC
HDMI	C359		nsp	00MDK96104300	CER. CAP.	0.1UF 50V K	CCUS1H104KC
HDMI	C360		nsp	00MDK96104300	CER. CAP.	0.1UF 50V K	CCUS1H104KC
HDMI	C361		nsp	00MDK96104300	CER. CAP.	0.1UF 50V K	CCUS1H104KC
HDMI	C362		nsp	00MDK96104300	CER. CAP.	0.1UF 50V K	CCUS1H104KC
HDMI	C363		nsp	00MOA10605020	ELECT CAP.	10UF 50V	CCEA1HH100T
HDMI	C364		nsp	00MDK96104300	CER. CAP.	0.1UF 50V K	CCUS1H104KC
HDMI	C365		nsp	00MOA10505020	ELECT CAP.	1UF 50V	CCEA1HH1R0T
HDMI	C366		nsp	00MDK96104300	CER. CAP.	0.1UF 50V K	CCUS1H104KC
HDMI	C367		nsp	00MDK96104300	CER. CAP.	0.1UF 50V K	CCUS1H104KC
HDMI	C368		nsp	00MDK96104300	CER. CAP.	0.1UF 50V K	CCUS1H104KC
HDMI	C369		nsp	00MDK96104300	CER. CAP.	0.1UF 50V K	CCUS1H104KC
HDMI	C370		nsp	00MDK96104300	CER. CAP.	0.1UF 50V K	CCUS1H104KC
HDMI	C371		nsp	00MDK96104300	CER. CAP.	0.1UF 50V K	CCUS1H104KC
HDMI	C374		nsp	00MDD90010300	CER. CAP.	1 PF 50V	CCUS1H1R0CA
HDMI	C375		nsp	00MDD90010300	CER. CAP.	1 PF 50V	CCUS1H1R0CA
HDMI	C376		nsp	00MDD90010300	CER. CAP.	1 PF 50V	CCUS1H1R0CA
HDMI	C377		nsp	00MDD90010300	CER. CAP.	1 PF 50V	CCUS1H1R0CA
HDMI	C378		nsp	00MDK96104300	CER. CAP.	0.1UF 50V K	CCUS1H104KC
HDMI	C379		nsp	00MDK96104300	CER. CAP.	0.1UF 50V K	CCUS1H104KC
HDMI	C380		nsp	00MOA47602520	ELECT CAP.	47UF 25V	CCEA1EH470T
HDMI	C381		nsp	00MDK96104300	CER. CAP.	0.1UF 50V K	CCUS1H104KC
HDMI	C382		nsp	00MOA47602520	ELECT CAP.	47UF 25V	CCEA1EH470T
HDMI	C383		nsp	00MDK96104300	CER. CAP.	0.1UF 50V K	CCUS1H104KC
HDMI	C384		nsp	00MOA47602520	ELECT CAP.	47UF 25V	CCEA1EH470T
HDMI	C385		nsp	00MDK96104300	CER. CAP.	0.1UF 50V K	CCUS1H104KC
HDMI	C386		nsp	00MOA47602520	ELECT CAP.	47UF 25V	CCEA1EH470T
HDMI	C387		nsp	00MDK96104300	CER. CAP.	0.1UF 50V K	CCUS1H104KC
HDMI	C388		nsp	00MDK96104300	CER. CAP.	0.1UF 50V K	CCUS1H104KC
HDMI	C389		nsp	00MDK96104300	CER. CAP.	0.1UF 50V K	CCUS1H104KC
HDMI	C390		nsp	00MDK96104300	CER. CAP.	0.1UF 50V K	CCUS1H104KC
HDMI	C391		nsp	00MDK96104300	CER. CAP.	0.1UF 50V K	CCUS1H104KC
HDMI	C392		nsp	00MOA47602520	ELECT CAP.	47UF 25V	CCEA1EH470T
HDMI	C393		nsp	00MDK96104300	CER. CAP.	0.1UF 50V K	CCUS1H104KC
HDMI	C394		nsp	00MDK96104300	CER. CAP.	0.1UF 50V K	CCUS1H104KC
HDMI	C395		nsp	00MDK96104300	CER. CAP.	0.1UF 50V K	CCUS1H104KC
HDMI	C396		nsp	00MOA47602520	ELECT CAP.	47UF 25V	CCEA1EH470T
HDMI	C397		nsp	00MDK96104300	CER. CAP.	0.1UF 50V K	CCUS1H104KC
HDMI	C398		nsp	00MOA47602520	ELECT CAP.	47UF 25V	CCEA1EH470T
HDMI	C399		nsp	00MDK96104300	CER. CAP.	0.1UF 50V K	CCUS1H104KC
HDMI	C401		nsp	00MDK96104300	CER. CAP.	0.1UF 50V K	CCUS1H104KC
HDMI	C402		nsp	00MDK96104300	CER. CAP.	0.1UF 50V K	CCUS1H104KC
HDMI	C403		nsp	00MDK96104300	CER. CAP.	0.1UF 50V K	CCUS1H104KC
HDMI	C404		nsp	00MDK96104300	CER. CAP.	0.1UF 50V K	CCUS1H104KC
HDMI	C405		nsp	00MDK96104300	CER. CAP.	0.1UF 50V K	CCUS1H104KC
HDMI	C406		nsp	00MDK96104300	CER. CAP.	0.1UF 50V K	CCUS1H104KC
HDMI	C407		nsp	00MOA10605020	ELECT CAP.	10UF 50V	CCEA1HH100T
HDMI	C408		nsp	00MDK96104300	CER. CAP.	0.1UF 50V K	CCUS1H104KC
HDMI	C409		nsp	00MOA10505020	ELECT CAP.	1UF 50V	CCEA1HH1R0T
HDMI	C410		nsp	00MDK96104300	CER. CAP.	0.1UF 50V K	CCUS1H104KC
HDMI	C411		nsp	00MDK96104300	CER. CAP.	0.1UF 50V K	CCUS1H104KC
HDMI	C412		nsp	00MDK96104300	CER. CAP.	0.1UF 50V K	CCUS1H104KC
HDMI	C413		nsp	00MDK96104300	CER. CAP.	0.1UF 50V K	CCUS1H104KC
HDMI	C414		nsp	00MDK96104300	CER. CAP.	0.1UF 50V K	CCUS1H104KC
HDMI	C415		nsp	00MDK96104300	CER. CAP.	0.1UF 50V K	CCUS1H104KC
HDMI	C418		nsp	00MDD90010300	CER. CAP.	1 PF 50V	CCUS1H1R0CA
HDMI	C419		nsp	00MDD90010300	CER. CAP.	1 PF 50V	CCUS1H1R0CA
HDMI	C420		nsp	00MDD90010300	CER. CAP.	1 PF 50V	CCUS1H1R0CA
HDMI	C421		nsp	00MDD90010300	CER. CAP.	1 PF 50V	CCUS1H1R0CA

NOTE : "nsp" PART IS LISTED FOR REFERENCE ONLY, MARANTZ WILL NOT SUPPLY THESE PARTS

P.W.B. NAME	POS. NO.	VERS. COLOR	PART NO. (FOR EUR)	PART NO. (MZ)	PART NAME	DESCRIPTION
HDMI	C422		nsp	00MDK96104300	CER. CAP.	0.1UF 50V K CCUS1H104KC
HDMI	C423		nsp	00MDK96104300	CER. CAP.	0.1UF 50V K CCUS1H104KC
HDMI	C424		nsp	00MOA47602520	ELECT CAP.	47UF 25V CCEA1EH470T
HDMI	C425		nsp	00MDK96104300	CER. CAP.	0.1UF 50V K CCUS1H104KC
HDMI	C426		nsp	00MOA47602520	ELECT CAP.	47UF 25V CCEA1EH470T
HDMI	C427		nsp	00MDK96104300	CER. CAP.	0.1UF 50V K CCUS1H104KC
HDMI	C428		nsp	00MOA47602520	ELECT CAP.	47UF 25V CCEA1EH470T
HDMI	C429		nsp	00MDK96104300	CER. CAP.	0.1UF 50V K CCUS1H104KC
HDMI	C430		nsp	00MOA47602520	ELECT CAP.	47UF 25V CCEA1EH470T
HDMI	C431		nsp	00MDK96104300	CER. CAP.	0.1UF 50V K CCUS1H104KC
HDMI	C432		nsp	00MDK96104300	CER. CAP.	0.1UF 50V K CCUS1H104KC
HDMI	C433		nsp	00MDK96104300	CER. CAP.	0.1UF 50V K CCUS1H104KC
HDMI	C434		nsp	00MDK96104300	CER. CAP.	0.1UF 50V K CCUS1H104KC
HDMI	C435		nsp	00MDD90010300	CER. CAP.	1 PF 50V CCUS1H1R0CA
HDMI	C436		nsp	00MDD90010300	CER. CAP.	1 PF 50V CCUS1H1R0CA
HDMI	C437		nsp	00MDD90010300	CER. CAP.	1 PF 50V CCUS1H1R0CA
HDMI	C438		nsp	00MDD90010300	CER. CAP.	1 PF 50V CCUS1H1R0CA
HDMI	C441		nsp	00MDD90010300	CER. CAP.	1 PF 50V CCUS1H1R0CA
HDMI	C442		nsp	00MDD90010300	CER. CAP.	1 PF 50V CCUS1H1R0CA
HDMI	C443		nsp	00MDD90010300	CER. CAP.	1 PF 50V CCUS1H1R0CA
HDMI	C444		nsp	00MDD90010300	CER. CAP.	1 PF 50V CCUS1H1R0CA
HDMI	C501		nsp	00MDK96104300	CER. CAP.	0.1UF 50V K CCUS1H104KC
HDMI	C502		nsp	00MDK96104300	CER. CAP.	0.1UF 50V K CCUS1H104KC
HDMI	C503		nsp	00MDK96104300	CER. CAP.	0.1UF 50V K CCUS1H104KC
HDMI	C504		nsp	00MDK96104300	CER. CAP.	0.1UF 50V K CCUS1H104KC
HDMI	C505		nsp	00MDK96104300	CER. CAP.	0.1UF 50V K CCUS1H104KC
HDMI	C506		nsp	00MDK96104300	CER. CAP.	0.1UF 50V K CCUS1H104KC
HDMI	C507		nsp	00MDK96104300	CER. CAP.	0.1UF 50V K CCUS1H104KC
HDMI	C508		nsp	00MDK96104300	CER. CAP.	0.1UF 50V K CCUS1H104KC
HDMI	C509		nsp	00MDK96104300	CER. CAP.	0.1UF 50V K CCUS1H104KC
HDMI	C510		nsp	00MDK96104300	CER. CAP.	0.1UF 50V K CCUS1H104KC
HDMI	C511		nsp	00MDK96104300	CER. CAP.	0.1UF 50V K CCUS1H104KC
HDMI	C512		nsp	00MOA10701620	ELECT CAP.	100UF 16V CCEA1CH101T
HDMI	C513		nsp	00MDK96104300	CER. CAP.	0.1UF 50V K CCUS1H104KC
HDMI	C514		nsp	00MOA10701620	ELECT CAP.	100UF 16V CCEA1CH101T
HDMI	C515		nsp	00MDK96104300	CER. CAP.	0.1UF 50V K CCUS1H104KC
HDMI	C516		nsp	00MOA10701620	ELECT CAP.	100UF 16V CCEA1CH101T
HDMI	C517		nsp	00MDK96104300	CER. CAP.	0.1UF 50V K CCUS1H104KC
HDMI	C518		nsp	00MDK96104300	CER. CAP.	0.1UF 50V K CCUS1H104KC
HDMI	C519		nsp	00MDK96104300	CER. CAP.	0.1UF 50V K CCUS1H104KC
HDMI	C520		nsp	00MDK96104300	CER. CAP.	0.1UF 50V K CCUS1H104KC
HDMI	C521		nsp	00MDK96104300	CER. CAP.	0.1UF 50V K CCUS1H104KC
HDMI	C522		nsp	00MDK96104300	CER. CAP.	0.1UF 50V K CCUS1H104KC
HDMI	C523		nsp	00MDK96104300	CER. CAP.	0.1UF 50V K CCUS1H104KC
HDMI	C524		nsp	00MOA10701620	ELECT CAP.	100UF 16V CCEA1CH101T
HDMI	C525		nsp	00MDK96104300	CER. CAP.	0.1UF 50V K CCUS1H104KC
HDMI	C526		nsp	00MDK96104300	CER. CAP.	0.1UF 50V K CCUS1H104KC
HDMI	C527		nsp	00MDK96104300	CER. CAP.	0.1UF 50V K CCUS1H104KC
HDMI	C528		nsp	00MDK96104300	CER. CAP.	0.1UF 50V K CCUS1H104KC
HDMI	C529		nsp	00MOA10701620	ELECT CAP.	100UF 16V CCEA1CH101T
HDMI	C530		nsp	00MDK96104300	CER. CAP.	0.1UF 50V K CCUS1H104KC
HDMI	C531		nsp	00MDK96104300	CER. CAP.	0.1UF 50V K CCUS1H104KC
HDMI	C532		nsp	00MDK96104300	CER. CAP.	0.1UF 50V K CCUS1H104KC
HDMI	C533		nsp	00MDK96104300	CER. CAP.	0.1UF 50V K CCUS1H104KC
HDMI	C534		nsp	00MDK96104300	CER. CAP.	0.1UF 50V K CCUS1H104KC
HDMI	C535		nsp	00MDK96104300	CER. CAP.	0.1UF 50V K CCUS1H104KC
HDMI	C536		nsp	00MOA47602520	ELECT CAP.	47UF 25V CCEA1EH470T
HDMI	C537		nsp	00MDK96104300	CER. CAP.	0.1UF 50V K CCUS1H104KC
HDMI	C538		nsp	00MOA47602520	ELECT CAP.	47UF 25V CCEA1EH470T
HDMI	C601		nsp	00MOA10605020	ELECT CAP.	10UF 50V CCEA1HH100T
HDMI	C602		nsp	00MOA10605020	ELECT CAP.	10UF 50V CCEA1HH100T
HDMI	C603		nsp	00MOA10605020	ELECT CAP.	10UF 50V CCEA1HH100T
HDMI	C604		nsp	00MDK96104300	CER. CAP.	0.1UF 50V K CCUS1H104KC
HDMI	C605		nsp	00MDK96104300	CER. CAP.	0.1UF 50V K CCUS1H104KC
HDMI	C606		nsp	00MOA10701620	ELECT CAP.	100UF 16V CCEA1CH101T
HDMI	C607		nsp	00MDK96104300	CER. CAP.	0.1UF 50V K CCUS1H104KC
HDMI	C608		nsp	00MOA10605020	ELECT CAP.	10UF 50V CCEA1HH100T

NOTE : *nsp* PART IS LISTED FOR REFERENCE ONLY, MARANTZ WILL NOT SUPPLY THESE PARTS.

P.W.B. NAME	POS. NO.	VERS. COLOR	PART NO. (FOR EUR)	PART NO. (MZ)	PART NAME	DESCRIPTION	
HDMI	C609		nsp	00MDK96104300	CER. CAP.	0.1UF 50V K	CCUS1H104KC
HDMI	C610		nsp	00MDK96104300	CER. CAP.	0.1UF 50V K	CCUS1H104KC
HDMI	C611		nsp	00MDK96104300	CER. CAP.	0.1UF 50V K	CCUS1H104KC
HDMI	C612		nsp	00MDK96104300	CER. CAP.	0.1UF 50V K	CCUS1H104KC
HDMI	C613		nsp	00MDK96104300	CER. CAP.	0.1UF 50V K	CCUS1H104KC
HDMI	C614		nsp	00MDK96104300	CER. CAP.	0.1UF 50V K	CCUS1H104KC
HDMI	C615		nsp	00MDK96102300	CER. CAP.	1000PF 50V KC	CCUS1H102KC
HDMI	C616		nsp	00MDK96104300	CER. CAP.	0.1UF 50V K	CCUS1H104KC
HDMI	C617		nsp	00MDK96104300	CER. CAP.	0.1UF 50V K	CCUS1H104KC
HDMI	C618		nsp	00MDK96104300	CER. CAP.	0.1UF 50V K	CCUS1H104KC
HDMI	C619		nsp	00MDK96104300	CER. CAP.	0.1UF 50V K	CCUS1H104KC
HDMI	C620		nsp	00MDK96104300	CER. CAP.	0.1UF 50V K	CCUS1H104KC
HDMI	C621		nsp	00MDD95470300	CER. CAP.	47PF 50V JA	CCUS1H470JA
HDMI	C622		nsp	00MDD95470300	CER. CAP.	47PF 50V JA	CCUS1H470JA
HDMI	C623		nsp	00MDK96104300	CER. CAP.	0.1UF 50V K	CCUS1H104KC
HDMI	C624		nsp	90M-DK900100R	CER. CAP.	0.082UF 50V K	CCUS1H823KC
HDMI	C625		nsp	00MDK96103300	CER. CAP.	0.01UF 50V KC	CCUS1H103KC
HDMI	C626		nsp	00MDK96104300	CER. CAP.	0.1UF 50V K	CCUS1H104KC
HDMI	C627		nsp	00MDK96103300	CER. CAP.	0.01UF 50V KC	CCUS1H103KC
HDMI	C628		nsp	00MDK96104300	CER. CAP.	0.1UF 50V K	CCUS1H104KC
HDMI	C629		90M-EQ000040R	90M-EQ000040R	ELECT CAP.	10UF 25V NON-POLAR	CCEA1EN100T
HDMI	C630		nsp	00MDK96104300	CER. CAP.	0.1UF 50V K	CCUS1H104KC
HDMI	C631		nsp	00MDK96104300	CER. CAP.	0.1UF 50V K	CCUS1H104KC
HDMI	C632		nsp	00MOA10701620	ELECT CAP.	100UF 16V	CCEA1CH101T
HDMI	C633		nsp	00MDK96104300	CER. CAP.	0.1UF 50V K	CCUS1H104KC
HDMI	C634		nsp	00MOA10605020	ELECT CAP.	10UF 50V	CCEA1HH100T
HDMI	C635		nsp	00MDK96104300	CER. CAP.	0.1UF 50V K	CCUS1H104KC
HDMI	C636		nsp	00MOA10605020	ELECT CAP.	10UF 50V	CCEA1HH100T
HDMI	C637		nsp	00MDK96103300	CER. CAP.	0.01UF 50V KC	CCUS1H103KC
HDMI	C638		nsp	00MDK96104300	CER. CAP.	0.1UF 50V K	CCUS1H104KC
HDMI	C639		90M-EQ000040R	90M-EQ000040R	ELECT CAP.	10UF 25V NON-POLAR	CCEA1EN100T
HDMI	C640		nsp	00MDK96104300	CER. CAP.	0.1UF 50V K	CCUS1H104KC
HDMI	C641		nsp	00MDK96104300	CER. CAP.	0.1UF 50V K	CCUS1H104KC
HDMI	C642		nsp	00MDK96104300	CER. CAP.	0.1UF 50V K	CCUS1H104KC
HDMI	C643		nsp	00MDK96104300	CER. CAP.	0.1UF 50V K	CCUS1H104KC
HDMI	C644		nsp	00MDK96104300	CER. CAP.	0.1UF 50V K	CCUS1H104KC
HDMI	C645		nsp	00MOA10701620	ELECT CAP.	100UF 16V	CCEA1CH101T
HDMI	C646		nsp	00MDK96104300	CER. CAP.	0.1UF 50V K	CCUS1H104KC
HDMI	C647		nsp	00MDK96104300	CER. CAP.	0.1UF 50V K	CCUS1H104KC
HDMI	C648		nsp	00MDK96104300	CER. CAP.	0.1UF 50V K	CCUS1H104KC
HDMI	C649		nsp	00MDK96104300	CER. CAP.	0.1UF 50V K	CCUS1H104KC
HDMI	C650		nsp	00MDK96104300	CER. CAP.	0.1UF 50V K	CCUS1H104KC
HDMI	C651		nsp	00MDK96104300	CER. CAP.	0.1UF 50V K	CCUS1H104KC
HDMI	C652		nsp	00MDK96104300	CER. CAP.	0.1UF 50V K	CCUS1H104KC
HDMI	C653		nsp	00MOA10701620	ELECT CAP.	100UF 16V	CCEA1CH101T
HDMI	C654		nsp	00MDK96104300	CER. CAP.	0.1UF 50V K	CCUS1H104KC
HDMI	C655		nsp	00MDK96104300	CER. CAP.	0.1UF 50V K	CCUS1H104KC
HDMI	C656		nsp	00MDK96104300	CER. CAP.	0.1UF 50V K	CCUS1H104KC
HDMI	C657		nsp	00MDK96104300	CER. CAP.	0.1UF 50V K	CCUS1H104KC
HDMI	C658		nsp	00MDK96104300	CER. CAP.	0.1UF 50V K	CCUS1H104KC
HDMI	C659		nsp	00MDK96104300	CER. CAP.	0.1UF 50V K	CCUS1H104KC
HDMI	C660		nsp	00MDK96104300	CER. CAP.	0.1UF 50V K	CCUS1H104KC
HDMI	C661		nsp	00MDK96104300	CER. CAP.	0.1UF 50V K	CCUS1H104KC
HDMI	C662		nsp	00MDK96104300	CER. CAP.	0.1UF 50V K	CCUS1H104KC
HDMI	C663		nsp	00MDK96104300	CER. CAP.	0.1UF 50V K	CCUS1H104KC
HDMI	C664		nsp	00MDK96104300	CER. CAP.	0.1UF 50V K	CCUS1H104KC
HDMI	C665		nsp	00MDK96104300	CER. CAP.	0.1UF 50V K	CCUS1H104KC
HDMI	C666		nsp	00MDK96104300	CER. CAP.	0.1UF 50V K	CCUS1H104KC
HDMI	C667		nsp	00MDK96104300	CER. CAP.	0.1UF 50V K	CCUS1H104KC
HDMI	C668		nsp	00MDK96104300	CER. CAP.	0.1UF 50V K	CCUS1H104KC
HDMI	C669		nsp	00MOA10701620	ELECT CAP.	100UF 16V	CCEA1CH101T
HDMI	C670		nsp	00MDK96104300	CER. CAP.	0.1UF 50V K	CCUS1H104KC
HDMI	C671		nsp	00MDK96104300	CER. CAP.	0.1UF 50V K	CCUS1H104KC
HDMI	C672		nsp	00MDK96104300	CER. CAP.	0.1UF 50V K	CCUS1H104KC
HDMI	C673		nsp	00MDK96104300	CER. CAP.	0.1UF 50V K	CCUS1H104KC
HDMI	C674		nsp	00MDK96104300	CER. CAP.	0.1UF 50V K	CCUS1H104KC
HDMI	C675		nsp	00MDK96104300	CER. CAP.	0.1UF 50V K	CCUS1H104KC

NOTE : "nsp" PART IS LISTED FOR REFERENCE ONLY, MARANTZ WILL NOT SUPPLY THESE PARTS

P.W.B. NAME	POS. NO.	VERS. COLOR	PART NO. (FOR EUR)	PART NO. (MZ)	PART NAME	DESCRIPTION
HDMI	C676		nsp	00MDK96104300	CER. CAP.	0.1UF 50V K CCUS1H104KC
HDMI	C677		nsp	00MDK96104300	CER. CAP.	0.1UF 50V K CCUS1H104KC
HDMI	C678		nsp	00MOA10701620	ELECT CAP.	100UF 16V CCEA1CH101T
HDMI	C679		nsp	00MDK96104300	CER. CAP.	0.1UF 50V K CCUS1H104KC
HDMI	C680		nsp	00MDK96104300	CER. CAP.	0.1UF 50V K CCUS1H104KC
HDMI	C681		nsp	00MDK96104300	CER. CAP.	0.1UF 50V K CCUS1H104KC
HDMI	C682		nsp	00MDK96104300	CER. CAP.	0.1UF 50V K CCUS1H104KC
HDMI	C683		nsp	00MDK96104300	CER. CAP.	0.1UF 50V K CCUS1H104KC
HDMI	C684		nsp	00MDK96104300	CER. CAP.	0.1UF 50V K CCUS1H104KC
HDMI	C685		nsp	00MDK96104300	CER. CAP.	0.1UF 50V K CCUS1H104KC
HDMI	C686		nsp	00MDK96104300	CER. CAP.	0.1UF 50V K CCUS1H104KC
HDMI	C687		nsp	00MDK96104300	CER. CAP.	0.1UF 50V K CCUS1H104KC
HDMI	C688		nsp	00MDK96104300	CER. CAP.	0.1UF 50V K CCUS1H104KC
HDMI	C689		nsp	00MOA10701620	ELECT CAP.	100UF 16V CCEA1CH101T
HDMI	C690		nsp	00MDK96104300	CER. CAP.	0.1UF 50V K CCUS1H104KC
HDMI	C691		nsp	00MDK96821300	CER. CAP.	820PF 50V J CCUS1H821JA
HDMI	C692		nsp	00MDK96392300	CER. CAP.	3900PF 50V K CCUS1H392KC
HDMI	C693		nsp	00MDK96104300	CER. CAP.	0.1UF 50V K CCUS1H104KC
HDMI	C694		nsp	00MDK96104300	CER. CAP.	0.1UF 50V K CCUS1H104KC
HDMI	C695		nsp	00MDK96104300	CER. CAP.	0.1UF 50V K CCUS1H104KC
HDMI	C696		nsp	00MDK96104300	CER. CAP.	0.1UF 50V K CCUS1H104KC
HDMI	C697		nsp	00MOA10701620	ELECT CAP.	100UF 16V CCEA1CH101T
HDMI	C698		nsp	00MDK96104300	CER. CAP.	0.1UF 50V K CCUS1H104KC
HDMI	C699		nsp	00MOA10701620	ELECT CAP.	100UF 16V CCEA1CH101T
HDMI	C801		nsp	00MOA47602520	ELECT CAP.	47UF 25V CCEA1EH470T
HDMI	C802		nsp	00MDD91100300	CER. CAP.	10PF 50V JA CCUS1H100JA
HDMI	C803		nsp	00MDD90030300	CER. CAP.	3PF 50V CCUS1H030CA
HDMI	C804		nsp	00MDD91100300	CER. CAP.	10PF 50V JA CCUS1H100JA
HDMI	C805		nsp	00MOA10605020	ELECT CAP.	10UF 50V CCEA1HH100T
HDMI	C806		nsp	00MDK96104300	CER. CAP.	0.1UF 50V K CCUS1H104KC
HDMI	C807		nsp	00MOA10605020	ELECT CAP.	10UF 50V CCEA1HH100T
HDMI	C808		nsp	00MOA47602520	ELECT CAP.	47UF 25V CCEA1EH470T
HDMI	C809		nsp	00MDD91100300	CER. CAP.	10PF 50V JA CCUS1H100JA
HDMI	C810		nsp	00MDD90030300	CER. CAP.	3PF 50V CCUS1H030CA
HDMI	C811		nsp	00MDD91100300	CER. CAP.	10PF 50V JA CCUS1H100JA
HDMI	C812		nsp	00MOA10605020	ELECT CAP.	10UF 50V CCEA1HH100T
HDMI	C813		nsp	00MDK96104300	CER. CAP.	0.1UF 50V K CCUS1H104KC
HDMI	C814		nsp	00MDK96104300	CER. CAP.	0.1UF 50V K CCUS1H104KC
HDMI	C815		nsp	00MDD91100300	CER. CAP.	10PF 50V JA CCUS1H100JA
HDMI	C816		nsp	00MDD90030300	CER. CAP.	3PF 50V CCUS1H030CA
HDMI	C817		nsp	00MDD91100300	CER. CAP.	10PF 50V JA CCUS1H100JA
HDMI	C818		nsp	00MDK96104300	CER. CAP.	0.1UF 50V K CCUS1H104KC
HDMI	C819		nsp	00MDK96104300	CER. CAP.	0.1UF 50V K CCUS1H104KC
HDMI	C820		nsp	00MOA47602520	ELECT CAP.	47UF 25V CCEA1EH470T
HDMI	C821		nsp	00MDD91100300	CER. CAP.	10PF 50V JA CCUS1H100JA
HDMI	C822		nsp	00MDD90030300	CER. CAP.	3PF 50V CCUS1H030CA
HDMI	C823		nsp	00MDD91100300	CER. CAP.	10PF 50V JA CCUS1H100JA
HDMI	C824		nsp	00MDK96104300	CER. CAP.	0.1UF 50V K CCUS1H104KC
HDMI	C825		nsp	00MOA10605020	ELECT CAP.	10UF 50V CCEA1HH100T
HDMI	C826		nsp	00MOA47602520	ELECT CAP.	47UF 25V CCEA1EH470T
HDMI	C827		nsp	00MDD91100300	CER. CAP.	10PF 50V JA CCUS1H100JA
HDMI	C828		nsp	00MDD90030300	CER. CAP.	3PF 50V CCUS1H030CA
HDMI	C829		nsp	00MDD91100300	CER. CAP.	10PF 50V JA CCUS1H100JA
HDMI	C830		nsp	00MDK96104300	CER. CAP.	0.1UF 50V K CCUS1H104KC
HDMI	C831		nsp	00MOA47602520	ELECT CAP.	47UF 25V CCEA1EH470T
HDMI	C832		nsp	00MDD91100300	CER. CAP.	10PF 50V JA CCUS1H100JA
HDMI	C833		nsp	00MDD90030300	CER. CAP.	3PF 50V CCUS1H030CA
HDMI	C834		nsp	00MDD91100300	CER. CAP.	10PF 50V JA CCUS1H100JA
HDMI	C835		nsp	00MDK96104300	CER. CAP.	0.1UF 50V K CCUS1H104KC
HDMI	C902		nsp	00MDK96104300	CER. CAP.	0.1UF 50V K CCUS1H104KC
HDMI	C903		nsp	00MDK96104300	CER. CAP.	0.1UF 50V K CCUS1H104KC
HDMI	C904		nsp	00MDK96104300	CER. CAP.	0.1UF 50V K CCUS1H104KC
HDMI	C905		nsp	00MDK96104300	CER. CAP.	0.1UF 50V K CCUS1H104KC
HDMI	C906		nsp	00MDD95180300	CER. CAP.	18PF 50V JA CCUS1H180JA
HDMI	C907		nsp	00MDD95180300	CER. CAP.	18PF 50V JA CCUS1H180JA
HDMI	C908		nsp	00MDK96104300	CER. CAP.	0.1UF 50V K CCUS1H104KC
HDMI	C909		nsp	00MDK96104300	CER. CAP.	0.1UF 50V K CCUS1H104KC

NOTE : *nsp* PART IS LISTED FOR REFERENCE ONLY, MARANTZ WILL NOT SUPPLY THESE PARTS.

P.W.B. NAME	POS. NO.	VERS. COLOR	PART NO. (FOR EUR)	PART NO. (MZ)	PART NAME	DESCRIPTION	
HDMI	C910		nsp	00MDK96104300	CER. CAP.	0.1UF 50V K	CCUS1H104KC
HDMI	C947		nsp	00MDK96104300	CER. CAP.	0.1UF 50V K	CCUS1H104KC
HDMI	C948		nsp	00MOA47602520	ELECT CAP.	47UF 25V	CCEA1EH470T
HDMI	C949		nsp	00MDK96104300	CER. CAP.	0.1UF 50V K	CCUS1H104KC
HDMI	C950		nsp	00MOA47602520	ELECT CAP.	47UF 25V	CCEA1EH470T
HDMI	C951		90M-EA000930R	90M-EA000930R	ELECT CAP.	3300UF 16V	CCEA1CH332E
HDMI	C952		nsp	00MOA10605020	ELECT CAP.	10UF 50V	CCEA1HH100T
HDMI	C953		nsp	00MDK96104300	CER. CAP.	0.1UF 50V K	CCUS1H104KC
HDMI	C954		nsp	00MDK96104300	CER. CAP.	0.1UF 50V K	CCUS1H104KC
HDMI	C955		nsp	00MOA47602520	ELECT CAP.	47UF 25V	CCEA1EH470T
HDMI	C956		nsp	00MOA47602520	ELECT CAP.	47UF 25V	CCEA1EH470T
HDMI	C957		nsp	00MDK96104300	CER. CAP.	0.1UF 50V K	CCUS1H104KC
HDMI	C958		nsp	00MDK96104300	CER. CAP.	0.1UF 50V K	CCUS1H104KC
HDMI	C959		nsp	00MOA47602520	ELECT CAP.	47UF 25V	CCEA1EH470T
HDMI	C960		nsp	00MDK96104300	CER. CAP.	0.1UF 50V K	CCUS1H104KC
HDMI	C961		nsp	00MDK96104300	CER. CAP.	0.1UF 50V K	CCUS1H104KC
HDMI	C962		nsp	00MOA47602520	ELECT CAP.	47UF 25V	CCEA1EH470T
HDMI	C963		nsp	00MDK96104300	CER. CAP.	0.1UF 50V K	CCUS1H104KC
HDMI	C964		nsp	00MDK96104300	CER. CAP.	0.1UF 50V K	CCUS1H104KC
HDMI	C965		nsp	00MOA47602520	ELECT CAP.	47UF 25V	CCEA1EH470T
HDMI	C966		nsp	00MDK96104300	CER. CAP.	0.1UF 50V K	CCUS1H104KC
HDMI	C967		nsp	00MDK96104300	CER. CAP.	0.1UF 50V K	CCUS1H104KC
HDMI	C968		nsp	00MOA47602520	ELECT CAP.	47UF 25V	CCEA1EH470T
HDMI	C969		nsp	00MDK96104300	CER. CAP.	0.1UF 50V K	CCUS1H104KC
HDMI	C970		nsp	00MDK96104300	CER. CAP.	0.1UF 50V K	CCUS1H104KC
HDMI	C971		nsp	00MOA47602520	ELECT CAP.	47UF 25V	CCEA1EH470T
HDMI	C972		nsp	00MDK96104300	CER. CAP.	0.1UF 50V K	CCUS1H104KC
HDMI	C973		nsp	00MDK96104300	CER. CAP.	0.1UF 50V K	CCUS1H104KC
HDMI	C974		nsp	00MOA47602520	ELECT CAP.	47UF 25V	CCEA1EH470T
HDMI	C975		nsp	00MDK96104300	CER. CAP.	0.1UF 50V K	CCUS1H104KC
HDMI	C976		nsp	00MDK96104300	CER. CAP.	0.1UF 50V K	CCUS1H104KC
HDMI	C977		nsp	00MOA47602520	ELECT CAP.	47UF 25V	CCEA1EH470T
HDMI	C978		nsp	00MDK96104300	CER. CAP.	0.1UF 50V K	CCUS1H104KC
HDMI	C979		nsp	00MDK96104300	CER. CAP.	0.1UF 50V K	CCUS1H104KC
HDMI	C980		nsp	00MOA47602520	ELECT CAP.	47UF 25V	CCEA1EH470T
HDMI	C981		nsp	00MDK96104300	CER. CAP.	0.1UF 50V K	CCUS1H104KC
HDMI	C982		nsp	00MOA47602520	ELECT CAP.	47UF 25V	CCEA1EH470T
HDMI	C983		nsp	00MDK96104300	CER. CAP.	0.1UF 50V K	CCUS1H104KC
HDMI	C984		nsp	00MDK96104300	CER. CAP.	0.1UF 50V K	CCUS1H104KC
HDMI	C985		nsp	00MDK96104300	CER. CAP.	0.1UF 50V K	CCUS1H104KC
HDMI	C986		nsp	00MOA10701620	ELECT CAP.	100UF 16V	CCEA1CH101T
HDMI	C987		nsp	00MDK96104300	CER. CAP.	0.1UF 50V K	CCUS1H104KC
HDMI	C988		nsp	00MOA10701620	ELECT CAP.	100UF 16V	CCEA1CH101T
HDMI	C989		nsp	00MDK96104300	CER. CAP.	0.1UF 50V K	CCUS1H104KC
HDMI	C990		nsp	00MDK96104300	CER. CAP.	0.1UF 50V K	CCUS1H104KC
HDMI	C991		nsp	00MDK96104300	CER. CAP.	0.1UF 50V K	CCUS1H104KC
HDMI	C992		nsp	00MOA10701620	ELECT CAP.	100UF 16V	CCEA1CH101T
HDMI	C993		nsp	00MDK96104300	CER. CAP.	0.1UF 50V K	CCUS1H104KC
HDMI	C994		nsp	00MOA10701620	ELECT CAP.	100UF 16V	CCEA1CH101T
HDMI	C995		nsp	00MDK96104300	CER. CAP.	0.1UF 50V K	CCUS1H104KC
HDMI	C996		nsp	00MDK96104300	CER. CAP.	0.1UF 50V K	CCUS1H104KC
HDMI	C997		nsp	00MDK96104300	CER. CAP.	0.1UF 50V K	CCUS1H104KC
HDMI	C998		nsp	00MOA47602520	ELECT CAP.	47UF 25V	CCEA1EH470T
HDMI	CN32		nsp	nsp	CONN.	11P FPC WAFER	CJP11GA193ZY
HDMI	CN37		nsp	nsp	CONN.	5P STRAIGHT 20017WS-05	CJP05GA19ZY
HDMI	CN38		nsp	nsp	CONN.	17P FPC WAFER	CJP17GA193ZY
HDMI	CN82		nsp	nsp	CONN.	15P WAFER FFC FCZ100E-15RSK	CJP15GB113ZY
HDMI	CN84		nsp	nsp	CONN.	13P WAFER CARD CABLE	CJP13GB113ZY
HDMI	D133		00MHZ20039050	00MHZ20039050	DIODE	1SS378	CVD1SS378
HDMI	D901		nsp	90M-HD201750R	DIODE	1N4003	CVD1N4003SRT
HDMI	D902		nsp	90M-HD201750R	DIODE	1N4003	CVD1N4003SRT
HDMI	IC11		00D2623721007	00D2623721007	IC	SII9185CTU	CVISII9185CTU
HDMI	IC12		90M-HC109780R	90M-HC109780R	IC	AT24C02NSU EEPROM(2K)	CVIAT24C02NSU18
HDMI	IC13		90M-HC400080R	90M-HC400080R	IC	TC7MZ4052FK 4CH MUX	CVITC7MZ4052FK
HDMI	IC14		90M-HC700680R	90M-HC700680R	IC	TC74VHCT14AF	CVITC74VHCT14AFT
HDMI	IC15		90M-HC700630R	90M-HC700630R	IC	TC74VHCT04AFN	CVITC74VHCT04AFN
HDMI	IC31		nsp	nsp	IC	SII9135CTU HDMI RX 144PIN TQFP	CVISII9135CTU

NOTE : "nsp" PART IS LISTED FOR REFERENCE ONLY, MARANTZ WILL NOT SUPPLY THESE PARTS

P.W.B. NAME	POS. NO.	VERS. COLOR	PART NO. (FOR EUR)	PART NO. (MZ)	PART NAME	DESCRIPTION
HDMI	IC32		90M-HC700650R	90M-HC700650R	IC	TC74VCX541FT CVITC74VCX541FT
HDMI	IC33		90M-HC700650R	90M-HC700650R	IC	TC74VCX541FT CVITC74VCX541FT
HDMI	IC34		90M-HC700650R	90M-HC700650R	IC	TC74VCX541FT CVITC74VCX541FT
HDMI	IC36		00D2623719006	00D2623719006	IC	SII9134CTU HDMI TX 100PIN CVISII9134CTU
HDMI	IC37		90M-HC300830R	90M-HC300830R	IC	RN5RZ50BA HVIRN5RZ50BA
HDMI	IC38		00D2623719006	00D2623719006	IC	SII9134CTU HDMI TX 100PIN CVISII9134CTU
HDMI	IC39		90M-HC300830R	90M-HC300830R	IC	RN5RZ50BA HVIRN5RZ50BA
HDMI	IC40		943234001640S	943234001640S	IC	TC7SH125FU CVITC7SH125FU
HDMI	IC51		239710004602S	239710004602S	IC	SCALER(100PIN PQFP) CVIABT1010M
HDMI	IC52		90M-HC700650R	90M-HC700650R	IC	TC74VCX541FT CVITC74VCX541FT
HDMI	IC53		90M-HC700650R	90M-HC700650R	IC	TC74VCX541FT CVITC74VCX541FT
HDMI	IC54		90M-HC700650R	90M-HC700650R	IC	TC74VCX541FT CVITC74VCX541FT
HDMI	IC55		90M-HC700650R	90M-HC700650R	IC	TC74VCX541FT CVITC74VCX541FT
HDMI	IC56		90M-HC700650R	90M-HC700650R	IC	TC74VCX541FT CVITC74VCX541FT
HDMI	IC57		90M-HC700650R	90M-HC700650R	IC	TC74VCX541FT CVITC74VCX541FT
HDMI	IC58		90M-HC900170R	90M-HC900170R	IC	KIA1117S00-RTK/P CVIKIA1117S00
HDMI	IC59		90M-HC900170R	90M-HC900170R	IC	KIA1117S00-RTK/P CVIKIA1117S00
HDMI	IC61		90M-HC108830R	90M-HC108830R	IC	NJM2285M HVINJM2285MTE1
HDMI	IC62		00D2623495003	00D2623495003	IC	ADV7403BSTZ-110 VIDEO ENCODER CVIADV7403BS110
HDMI	IC63		00MHC10019660	00MHC10019660	IC	CD0040AF HVICD0040AF
HDMI	IC64		90M-HC108970R	90M-HC108970R	IC	HY57V161610ET-7 HV157V161610ET7
HDMI	IC65		90M-HC700650R	90M-HC700650R	IC	TC74VCX541FT CVITC74VCX541FT
HDMI	IC66		90M-HC700650R	90M-HC700650R	IC	TC74VCX541FT CVITC74VCX541FT
HDMI	IC67		90M-HC700650R	90M-HC700650R	IC	TC74VCX541FT CVITC74VCX541FT
HDMI	IC68		90M-HC700650R	90M-HC700650R	IC	TC74VCX541FT CVITC74VCX541FT
HDMI	IC69		90M-HC700650R	90M-HC700650R	IC	TC74VCX541FT CVITC74VCX541FT
HDMI	IC70		90M-HC700650R	90M-HC700650R	IC	TC74VCX541FT CVITC74VCX541FT
HDMI	IC71		00D2623478004	00D2623478004	IC	ADV7320KSTZ CVIADV7320KSTZ
HDMI	IC72		00MHC008205K0	00MHC008205K0	IC	TC74VHC08FT CVITC74VHC08FT
HDMI	IC81		943243001600M	943243001600M	U-PRO	HD64F36049HV HDMI AV8003 CVIHD64F36049HV
HDMI			00M46CW499B00	00M46CW499B00	SOFTWARE	FIRMWARE FOR IC81
HDMI	IC82		90M-HC700630R	90M-HC700630R	IC	TC74VHCT04AFN CVITC74VHCT04AFN
HDMI	IC88		90M-HC900170R	90M-HC900170R	IC	KIA1117S00-RTK/P CVIKIA1117S00
HDMI	IC89		90M-HC900170R	90M-HC900170R	IC	KIA1117S00-RTK/P CVIKIA1117S00
HDMI	IC90		90M-HC900170R	90M-HC900170R	IC	KIA1117S00-RTK/P CVIKIA1117S00
HDMI	IC91		00D2631213905	00D2631213905	IC	KIA7808AF CVIKIA7808AF
HDMI	IC92		90M-HC900170R	90M-HC900170R	IC	KIA1117S00-RTK/P CVIKIA1117S00
HDMI	IC93		90M-HC900170R	90M-HC900170R	IC	KIA1117S00-RTK/P CVIKIA1117S00
HDMI	IC94		90M-HC900170R	90M-HC900170R	IC	KIA1117S00-RTK/P CVIKIA1117S00
HDMI	IC95		90M-HC900170R	90M-HC900170R	IC	KIA1117S00-RTK/P CVIKIA1117S00
HDMI	IC96		90M-HC900170R	90M-HC900170R	IC	KIA1117S00-RTK/P CVIKIA1117S00
HDMI	IC97		90M-HC900170R	90M-HC900170R	IC	KIA1117S00-RTK/P CVIKIA1117S00
HDMI	IC98		90M-HC900170R	90M-HC900170R	IC	KIA1117S00-RTK/P CVIKIA1117S00
HDMI	IC99		90M-HC900170R	90M-HC900170R	IC	KIA1117S00-RTK/P CVIKIA1117S00
HDMI	JK11		90M-YT005010R	90M-YT005010R	TERMINAL	HDMI YKF45-7009 HJJ9H003Z
HDMI	JK12		90M-YT005010R	90M-YT005010R	TERMINAL	HDMI YKF45-7009 HJJ9H003Z
HDMI	JK13		90M-YT005010R	90M-YT005010R	TERMINAL	HDMI YKF45-7009 HJJ9H003Z
HDMI	JK14		90M-YT005010R	90M-YT005010R	TERMINAL	HDMI YKF45-7009 HJJ9H003Z
HDMI	JK31		90M-YT005010R	90M-YT005010R	TERMINAL	HDMI YKF45-7009 HJJ9H003Z
HDMI	JK32		90M-YT005010R	90M-YT005010R	TERMINAL	HDMI YKF45-7009 HJJ9H003Z
HDMI	L101		90M-LU000290R	90M-LU000290R	CHIP INDUCT	MIP3226D100M 10UH CLQ10E100MRY
HDMI	L102		90M-FC900400R	90M-FC900400R	FERRITE CORE	BEAD CHIP 60(1608 SIZE) CLZ9R005Z
HDMI	L103		90M-LU000290R	90M-LU000290R	CHIP INDUCT	MIP3226D100M 10UH CLQ10E100MRY
HDMI	L301		90M-LU000290R	90M-LU000290R	CHIP INDUCT	MIP3226D100M 10UH CLQ10E100MRY
HDMI	L302		90M-LU000290R	90M-LU000290R	CHIP INDUCT	MIP3226D100M 10UH CLQ10E100MRY
HDMI	L303		90M-FC900400R	90M-FC900400R	FERRITE CORE	BEAD CHIP 60(1608 SIZE) CLZ9R005Z
HDMI	L304		90M-FC900400R	90M-FC900400R	FERRITE CORE	BEAD CHIP 60(1608 SIZE) CLZ9R005Z
HDMI	L305		90M-FC900400R	90M-FC900400R	FERRITE CORE	BEAD CHIP 60(1608 SIZE) CLZ9R005Z
HDMI	L306		90M-FC900400R	90M-FC900400R	FERRITE CORE	BEAD CHIP 60(1608 SIZE) CLZ9R005Z
HDMI	L307		90M-FC900400R	90M-FC900400R	FERRITE CORE	BEAD CHIP 60(1608 SIZE) CLZ9R005Z
HDMI	L308		90M-FC900400R	90M-FC900400R	FERRITE CORE	BEAD CHIP 60(1608 SIZE) CLZ9R005Z
HDMI	L309		90M-FC900400R	90M-FC900400R	FERRITE CORE	BEAD CHIP 60(1608 SIZE) CLZ9R005Z
HDMI	L310		90M-FC900400R	90M-FC900400R	FERRITE CORE	BEAD CHIP 60(1608 SIZE) CLZ9R005Z
HDMI	L311		90M-FC900400R	90M-FC900400R	FERRITE CORE	BEAD CHIP 60(1608 SIZE) CLZ9R005Z
HDMI	L312		90M-LU000290R	90M-LU000290R	CHIP INDUCT	MIP3226D100M 10UH CLQ10E100MRY
HDMI	L313		90M-LU000290R	90M-LU000290R	CHIP INDUCT	MIP3226D100M 10UH CLQ10E100MRY
HDMI	L314		90M-LU000290R	90M-LU000290R	CHIP INDUCT	MIP3226D100M 10UH CLQ10E100MRY

NOTE : *isp* PART IS LISTED FOR REFERENCE ONLY, MARANTZ WILL NOT SUPPLY THESE PARTS.

P.W.B. NAME	POS. NO.	VERS. COLOR	PART NO. (FOR EUR)	PART NO. (MZ)	PART NAME	DESCRIPTION	
HDMI	L315		90M-LU000290R	90M-LU000290R	CHIP INDUCT	MIP3226D100M 10UH	CLQ10E100MRY
HDMI	L316		90M-FC900400R	90M-FC900400R	FERRITE CORE	BEAD CHIP 60(1608 SIZE)	CLZ9R005Z
HDMI	L317		90M-FC900400R	90M-FC900400R	FERRITE CORE	BEAD CHIP 60(1608 SIZE)	CLZ9R005Z
HDMI	L318		90M-LU000290R	90M-LU000290R	CHIP INDUCT	MIP3226D100M 10UH	CLQ10E100MRY
HDMI	L319		90M-LU000290R	90M-LU000290R	CHIP INDUCT	MIP3226D100M 10UH	CLQ10E100MRY
HDMI	L320		90M-LU000290R	90M-LU000290R	CHIP INDUCT	MIP3226D100M 10UH	CLQ10E100MRY
HDMI	L321		90M-LU000290R	90M-LU000290R	CHIP INDUCT	MIP3226D100M 10UH	CLQ10E100MRY
HDMI	L501		90M-FC900400R	90M-FC900400R	FERRITE CORE	BEAD CHIP 60(1608 SIZE)	CLZ9R005Z
HDMI	L502		90M-FC900400R	90M-FC900400R	FERRITE CORE	BEAD CHIP 60(1608 SIZE)	CLZ9R005Z
HDMI	L503		90M-FC900400R	90M-FC900400R	FERRITE CORE	BEAD CHIP 60(1608 SIZE)	CLZ9R005Z
HDMI	L601		90M-FC900400R	90M-FC900400R	FERRITE CORE	BEAD CHIP 60(1608 SIZE)	CLZ9R005Z
HDMI	L602		90M-FC900400R	90M-FC900400R	FERRITE CORE	BEAD CHIP 60(1608 SIZE)	CLZ9R005Z
HDMI	L603		90M-FC900400R	90M-FC900400R	FERRITE CORE	BEAD CHIP 60(1608 SIZE)	CLZ9R005Z
HDMI	L604		90M-FC900400R	90M-FC900400R	FERRITE CORE	BEAD CHIP 60(1608 SIZE)	CLZ9R005Z
HDMI	L605		90M-LU000290R	90M-LU000290R	CHIP INDUCT	MIP3226D100M 10UH	CLQ10E100MRY
HDMI	L606		90M-FC900400R	90M-FC900400R	FERRITE CORE	BEAD CHIP 60(1608 SIZE)	CLZ9R005Z
HDMI	L801		nsp	nsp	COIL	12UH	CLQ02C120KT
HDMI	L802		nsp	nsp	COIL	12UH	CLQ02C120KT
HDMI	L803		nsp	nsp	COIL	12UH	CLQ02C120KT
HDMI	L804		nsp	nsp	COIL	12UH	CLQ02C120KT
HDMI	L805		nsp	nsp	COIL	12UH	CLQ02C120KT
HDMI	L806		nsp	nsp	COIL	12UH	CLQ02C120KT
HDMI	L901		90M-FC900400R	90M-FC900400R	FERRITE CORE	BEAD CHIP 60(1608 SIZE)	CLZ9R005Z
HDMI	L902		90M-LU000290R	90M-LU000290R	CHIP INDUCT	MIP3226D100M 10UH	CLQ10E100MRY
HDMI	L903		90M-FC900400R	90M-FC900400R	FERRITE CORE	BEAD CHIP 60(1608 SIZE)	CLZ9R005Z
HDMI	L904		90M-LU000290R	90M-LU000290R	CHIP INDUCT	MIP3226D100M 10UH	CLQ10E100MRY
HDMI	L905		90M-FC900400R	90M-FC900400R	FERRITE CORE	BEAD CHIP 60(1608 SIZE)	CLZ9R005Z
HDMI	Q101		90M-HX600010R	90M-HX600010R	CHIP TRS.	KRA102S	HVTKRA102S
HDMI	Q102		90M-BA001620R	90M-BA001620R	CHIP TRS.	KRC103S	CVTKRC103S
HDMI	Q103		90M-HY200050R	90M-HY200050R	F.E.T.	UPA672T	CVTUPA672T
HDMI	Q104		90M-HX600010R	90M-HX600010R	CHIP TRS.	KRA102S	HVTKRA102S
HDMI	Q105		90M-BA001620R	90M-BA001620R	CHIP TRS.	KRC103S	CVTKRC103S
HDMI	Q106		90M-HY200050R	90M-HY200050R	F.E.T.	UPA672T	CVTUPA672T
HDMI	Q107		90M-HX600010R	90M-HX600010R	CHIP TRS.	KRA102S	HVTKRA102S
HDMI	Q108		90M-BA001620R	90M-BA001620R	CHIP TRS.	KRC103S	CVTKRC103S
HDMI	Q109		90M-HY200050R	90M-HY200050R	F.E.T.	UPA672T	CVTUPA672T
HDMI	Q110		90M-HX600010R	90M-HX600010R	CHIP TRS.	KRA102S	HVTKRA102S
HDMI	Q111		90M-BA001620R	90M-BA001620R	CHIP TRS.	KRC103S	CVTKRC103S
HDMI	Q112		90M-HY200050R	90M-HY200050R	F.E.T.	UPA672T	CVTUPA672T
HDMI	Q113		90M-BA001620R	90M-BA001620R	CHIP TRS.	KRC103S	CVTKRC103S
HDMI	Q114		90M-HX800090R	90M-HX800090R	CHIP TRS.	KRC111S	HVTKRC111S
HDMI	Q301		90M-BA001620R	90M-BA001620R	CHIP TRS.	KRC103S	CVTKRC103S
HDMI	Q302		90M-HY200050R	90M-HY200050R	F.E.T.	UPA672T	CVTUPA672T
HDMI	Q303		90M-HY200050R	90M-HY200050R	F.E.T.	UPA672T	CVTUPA672T
HDMI	Q501		90M-BA001620R	90M-BA001620R	CHIP TRS.	KRC103S	CVTKRC103S
HDMI	Q503		90M-BA001620R	90M-BA001620R	CHIP TRS.	KRC103S	CVTKRC103S
HDMI	Q601		90M-HT600050R	90M-HT600050R	TRS.	KTA2014GR	HVTKTA2014GR
HDMI	Q602		90M-HT600050R	90M-HT600050R	TRS.	KTA2014GR	HVTKTA2014GR
HDMI	Q603		90M-HT600050R	90M-HT600050R	TRS.	KTA2014GR	HVTKTA2014GR
HDMI	Q604		90M-HX800010R	90M-HX800010R	CHIP TRS.	KRC102S	HVTKRC102S
HDMI	Q605		90M-HX800010R	90M-HX800010R	CHIP TRS.	KRC102S	HVTKRC102S
HDMI	Q606		90M-HX800010R	90M-HX800010R	CHIP TRS.	KRC102S	HVTKRC102S
HDMI	Q607		90M-BA001620R	90M-BA001620R	CHIP TRS.	KRC103S	CVTKRC103S
HDMI	Q801		90M-HT800110R	90M-HT800110R	TRS.	KTC4075GR	HVTKTC4075GR
HDMI	Q802		90M-HT600050R	90M-HT600050R	TRS.	KTA2014GR	HVTKTA2014GR
HDMI	Q803		90M-HT800110R	90M-HT800110R	TRS.	KTC4075GR	HVTKTC4075GR
HDMI	Q804		90M-HT600050R	90M-HT600050R	TRS.	KTA2014GR	HVTKTA2014GR
HDMI	Q805		90M-HT800110R	90M-HT800110R	TRS.	KTC4075GR	HVTKTC4075GR
HDMI	Q806		90M-HT600050R	90M-HT600050R	TRS.	KTA2014GR	HVTKTA2014GR
HDMI	Q807		90M-HT800110R	90M-HT800110R	TRS.	KTC4075GR	HVTKTC4075GR
HDMI	Q808		90M-HT600050R	90M-HT600050R	TRS.	KTA2014GR	HVTKTA2014GR
HDMI	Q809		90M-HT800110R	90M-HT800110R	TRS.	KTC4075GR	HVTKTC4075GR
HDMI	Q810		90M-HT600050R	90M-HT600050R	TRS.	KTA2014GR	HVTKTA2014GR
HDMI	Q811		90M-HT800110R	90M-HT800110R	TRS.	KTC4075GR	HVTKTC4075GR
HDMI	Q812		90M-HT600050R	90M-HT600050R	TRS.	KTA2014GR	HVTKTA2014GR
HDMI	Q813		90M-HT800110R	90M-HT800110R	TRS.	KTC4075GR	HVTKTC4075GR
HDMI	Q814		90M-HT600050R	90M-HT600050R	TRS.	KTA2014GR	HVTKTA2014GR

NOTE : "nsp" PART IS LISTED FOR REFERENCE ONLY, MARANTZ WILL NOT SUPPLY THESE PARTS

P.W.B. NAME	POS. NO.	VERS. COLOR	PART NO. (FOR EUR)	PART NO. (MZ)	PART NAME	DESCRIPTION	
HDMI	Q815		90M-HT800110R	90M-HT800110R	TRS.	KTC4075GR	HVTKTC4075GR
HDMI	Q816		90M-HT800110R	90M-HT800110R	TRS.	KTC4075GR	HVTKTC4075GR
HDMI	Q817		90M-HT600050R	90M-HT600050R	TRS.	KTA2014GR	HVTKTA2014GR
HDMI	Q818		90M-HT800110R	90M-HT800110R	TRS.	KTC4075GR	HVTKTC4075GR
HDMI	Q819		90M-HT600050R	90M-HT600050R	TRS.	KTA2014GR	HVTKTA2014GR
HDMI	Q903		90M-BA001620R	90M-BA001620R	CHIP TRS.	KRC103S	CVTKRC103S
HDMI	Q904		90M-BA001620R	90M-BA001620R	CHIP TRS.	KRC103S	CVTKRC103S
HDMI	Q905		90M-BA001620R	90M-BA001620R	CHIP TRS.	KRC103S	CVTKRC103S
HDMI	R101		nsp	00MNN05102610	CHIP RES.	1K OHM 1/10W J	CRJ10DJ102T
HDMI	R102		nsp	00MNN05223610	CHIP RES.	22K OHM 1/10W J	CRJ10DJ223T
HDMI	R103		nsp	00MNN05101610	CHIP RES.	100 OHM 1/10W J	CRJ10DJ101T
HDMI	R104		nsp	00MNN05473610	CHIP RES.	47K OHM 1/10W J	CRJ10DJ473T
HDMI	R105		nsp	00MNN05000610	CHIP RES.	0 OHM 1/10W J	CRJ10DJ0R0T
HDMI	R106		nsp	00MNN05000610	CHIP RES.	0 OHM 1/10W J	CRJ10DJ0R0T
HDMI	R107		nsp	00MNN05473610	CHIP RES.	47K OHM 1/10W J	CRJ10DJ473T
HDMI	R108		nsp	00MNN05103610	CHIP RES.	10K OHM 1/10W J	CRJ10DJ103T
HDMI	R109		nsp	00MNN05103610	CHIP RES.	10K OHM 1/10W J	CRJ10DJ103T
HDMI	R110		nsp	00MNN05473610	CHIP RES.	47K OHM 1/10W J	CRJ10DJ473T
HDMI	R111		nsp	00MNN05102610	CHIP RES.	1K OHM 1/10W J	CRJ10DJ102T
HDMI	R112		nsp	00MNN05223610	CHIP RES.	22K OHM 1/10W J	CRJ10DJ223T
HDMI	R113		nsp	00MNN05101610	CHIP RES.	100 OHM 1/10W J	CRJ10DJ101T
HDMI	R114		nsp	00MNN05473610	CHIP RES.	47K OHM 1/10W J	CRJ10DJ473T
HDMI	R115		nsp	00MNN05000610	CHIP RES.	0 OHM 1/10W J	CRJ10DJ0R0T
HDMI	R116		nsp	00MNN05000610	CHIP RES.	0 OHM 1/10W J	CRJ10DJ0R0T
HDMI	R117		nsp	00MNN05473610	CHIP RES.	47K OHM 1/10W J	CRJ10DJ473T
HDMI	R118		nsp	00MNN05103610	CHIP RES.	10K OHM 1/10W J	CRJ10DJ103T
HDMI	R119		nsp	00MNN05103610	CHIP RES.	10K OHM 1/10W J	CRJ10DJ103T
HDMI	R120		nsp	00MNN05473610	CHIP RES.	47K OHM 1/10W J	CRJ10DJ473T
HDMI	R121		nsp	00MNN05102610	CHIP RES.	1K OHM 1/10W J	CRJ10DJ102T
HDMI	R122		nsp	00MNN05223610	CHIP RES.	22K OHM 1/10W J	CRJ10DJ223T
HDMI	R123		nsp	00MNN05101610	CHIP RES.	100 OHM 1/10W J	CRJ10DJ101T
HDMI	R124		nsp	00MNN05473610	CHIP RES.	47K OHM 1/10W J	CRJ10DJ473T
HDMI	R125		nsp	00MNN05000610	CHIP RES.	0 OHM 1/10W J	CRJ10DJ0R0T
HDMI	R126		nsp	00MNN05000610	CHIP RES.	0 OHM 1/10W J	CRJ10DJ0R0T
HDMI	R127		nsp	00MNN05473610	CHIP RES.	47K OHM 1/10W J	CRJ10DJ473T
HDMI	R128		nsp	00MNN05103610	CHIP RES.	10K OHM 1/10W J	CRJ10DJ103T
HDMI	R129		nsp	00MNN05103610	CHIP RES.	10K OHM 1/10W J	CRJ10DJ103T
HDMI	R130		nsp	00MNN05473610	CHIP RES.	47K OHM 1/10W J	CRJ10DJ473T
HDMI	R131		nsp	00MNN05102610	CHIP RES.	1K OHM 1/10W J	CRJ10DJ102T
HDMI	R132		nsp	00MNN05223610	CHIP RES.	22K OHM 1/10W J	CRJ10DJ223T
HDMI	R133		nsp	00MNN05101610	CHIP RES.	100 OHM 1/10W J	CRJ10DJ101T
HDMI	R134		nsp	00MNN05473610	CHIP RES.	47K OHM 1/10W J	CRJ10DJ473T
HDMI	R135		nsp	00MNN05000610	CHIP RES.	0 OHM 1/10W J	CRJ10DJ0R0T
HDMI	R136		nsp	00MNN05000610	CHIP RES.	0 OHM 1/10W J	CRJ10DJ0R0T
HDMI	R137		nsp	00MNN05103610	CHIP RES.	10K OHM 1/10W J	CRJ10DJ103T
HDMI	R138		nsp	00MNN05473610	CHIP RES.	47K OHM 1/10W J	CRJ10DJ473T
HDMI	R139		nsp	00MNN05473610	CHIP RES.	47K OHM 1/10W J	CRJ10DJ473T
HDMI	R140		nsp	00MNN05103610	CHIP RES.	10K OHM 1/10W J	CRJ10DJ103T
HDMI	R141		nsp	00MNN05103610	CHIP RES.	10K OHM 1/10W J	CRJ10DJ103T
HDMI	R145		nsp	00MNN05102610	CHIP RES.	1K OHM 1/10W J	CRJ10DJ102T
HDMI	R146		nsp	00MNN05102610	CHIP RES.	1K OHM 1/10W J	CRJ10DJ102T
HDMI	R153		nsp	00MNN05473610	CHIP RES.	47K OHM 1/10W J	CRJ10DJ473T
HDMI	R155		nsp	00MNN05102610	CHIP RES.	1K OHM 1/10W J	CRJ10DJ102T
HDMI	R156		nsp	00MNN05473610	CHIP RES.	47K OHM 1/10W J	CRJ10DJ473T
HDMI	R158		nsp	00MNN05000610	CHIP RES.	0 OHM 1/10W J	CRJ10DJ0R0T
HDMI	R301		nsp	00MNN05103610	CHIP RES.	10K OHM 1/10W J	CRJ10DJ103T
HDMI	R302		nsp	00MNN05103610	CHIP RES.	10K OHM 1/10W J	CRJ10DJ103T
HDMI	R303		nsp	00MNN05220610	CHIP RES.	22 OHM 1/10W J	CRJ10DJ220T
HDMI	R304		nsp	00MNN05220610	CHIP RES.	22 OHM 1/10W J	CRJ10DJ220T
HDMI	R305		nsp	00MNN05000610	CHIP RES.	0 OHM 1/10W J	CRJ10DJ0R0T
HDMI	R306		nsp	00MNN05000610	CHIP RES.	0 OHM 1/10W J	CRJ10DJ0R0T
HDMI	R307		nsp	00MNN05101610	CHIP RES.	100 OHM 1/10W J	CRJ10DJ101T
HDMI	R308		nsp	00MNN05101610	CHIP RES.	100 OHM 1/10W J	CRJ10DJ101T
HDMI	R310		nsp	00MNN05000610	CHIP RES.	0 OHM 1/10W J	CRJ10DJ0R0T
HDMI	R312		nsp	00MNN05473610	CHIP RES.	47K OHM 1/10W J	CRJ10DJ473T
HDMI	R313		nsp	00MNN05220610	CHIP RES.	22 OHM 1/10W J	CRJ10DJ220T
HDMI	R314		nsp	00MNN05220610	CHIP RES.	22 OHM 1/10W J	CRJ10DJ220T

NOTE : *nsp* PART IS LISTED FOR REFERENCE ONLY, MARANTZ WILL NOT SUPPLY THESE PARTS.

P.W.B. NAME	POS. NO.	VERS. COLOR	PART NO. (FOR EUR)	PART NO. (MZ)	PART NAME	DESCRIPTION	
HDMI	R315		nsp	00MNN05220610	CHIP RES.	22 OHM 1/10W J	CRJ10DJ220T
HDMI	R316		nsp	00MNN05220610	CHIP RES.	22 OHM 1/10W J	CRJ10DJ220T
HDMI	R317		nsp	00MNN05331610	CHIP RES.	330 OHM 1/10W J	CRJ10DJ331T
HDMI	R318		nsp	00MNN05105610	CHIP RES.	1M OHM 1/10W J	CRJ10DJ105T
HDMI	R319		nsp	00MNN05472610	CHIP RES.	4.7K OHM 1/10W J	CRJ10DJ472T
HDMI	R320		nsp	00MNN05473610	CHIP RES.	47K OHM 1/10W J	CRJ10DJ473T
HDMI	R322		nsp	00MNN05473610	CHIP RES.	47K OHM 1/10W J	CRJ10DJ473T
HDMI	R323		nsp	00MNN05473610	CHIP RES.	47K OHM 1/10W J	CRJ10DJ473T
HDMI	R324		nsp	00MNN05101610	CHIP RES.	100 OHM 1/10W J	CRJ10DJ101T
HDMI	R325		nsp	00MNN05101610	CHIP RES.	100 OHM 1/10W J	CRJ10DJ101T
HDMI	R326		nsp	00MNN05102610	CHIP RES.	1K OHM 1/10W J	CRJ10DJ102T
HDMI	R327		nsp	00MNN05220610	CHIP RES.	22 OHM 1/10W J	CRJ10DJ220T
HDMI	R328		nsp	00MNN05220610	CHIP RES.	22 OHM 1/10W J	CRJ10DJ220T
HDMI	R329		nsp	00MNN05220610	CHIP RES.	22 OHM 1/10W J	CRJ10DJ220T
HDMI	R330		nsp	00MNN05220610	CHIP RES.	22 OHM 1/10W J	CRJ10DJ220T
HDMI	R331		nsp	00MNN05220610	CHIP RES.	22 OHM 1/10W J	CRJ10DJ220T
HDMI	R332		nsp	00MNN05220610	CHIP RES.	22 OHM 1/10W J	CRJ10DJ220T
HDMI	R333		nsp	00MNN05220610	CHIP RES.	22 OHM 1/10W J	CRJ10DJ220T
HDMI	R334		nsp	00MNN05220610	CHIP RES.	22 OHM 1/10W J	CRJ10DJ220T
HDMI	R335		nsp	00MNN05220610	CHIP RES.	22 OHM 1/10W J	CRJ10DJ220T
HDMI	R336		nsp	00MNN05220610	CHIP RES.	22 OHM 1/10W J	CRJ10DJ220T
HDMI	R337		nsp	00MNN05220610	CHIP RES.	22 OHM 1/10W J	CRJ10DJ220T
HDMI	R338		nsp	00MNN05220610	CHIP RES.	22 OHM 1/10W J	CRJ10DJ220T
HDMI	R339		nsp	00MNN05220610	CHIP RES.	22 OHM 1/10W J	CRJ10DJ220T
HDMI	R340		nsp	00MNN05000610	CHIP RES.	0 OHM 1/10W J	CRJ10DJ0R0T
HDMI	R341		nsp	00MNN05000610	CHIP RES.	0 OHM 1/10W J	CRJ10DJ0R0T
HDMI	R343		nsp	00MNN05103610	CHIP RES.	10K OHM 1/10W J	CRJ10DJ103T
HDMI	R344		nsp	00MNN05332610	CHIP RES.	3.3K OHM 1/10W J	CRJ10DJ332T
HDMI	R345		nsp	00MNN05682610	CHIP RES.	6.8K OHM 1/10W J	CRJ10DJ682T
HDMI	R346		nsp	00MNN05000610	CHIP RES.	0 OHM 1/10W J	CRJ10DJ0R0T
HDMI	R353		nsp	00MNN05000610	CHIP RES.	0 OHM 1/10W J	CRJ10DJ0R0T
HDMI	R354		nsp	00MNN05000610	CHIP RES.	0 OHM 1/10W J	CRJ10DJ0R0T
HDMI	R355		nsp	00MNN05101610	CHIP RES.	100 OHM 1/10W J	CRJ10DJ101T
HDMI	R356		nsp	00MNN05102610	CHIP RES.	1K OHM 1/10W J	CRJ10DJ102T
HDMI	R357		nsp	00MNN05222610	CHIP RES.	2.2K OHM 1/10W J	CRJ10DJ222T
HDMI	R358		nsp	00MNN05102610	CHIP RES.	1K OHM 1/10W J	CRJ10DJ102T
HDMI	R359		nsp	00MNN05103610	CHIP RES.	10K OHM 1/10W J	CRJ10DJ103T
HDMI	R360		nsp	00MNN05182610	CHIP RES.	1.8K OHM 1/10W J	CRJ10DJ182T
HDMI	R361		nsp	00MNN05182610	CHIP RES.	1.8K OHM 1/10W J	CRJ10DJ182T
HDMI	R362		nsp	00MNN05103610	CHIP RES.	10K OHM 1/10W J	CRJ10DJ103T
HDMI	R363		nsp	00MNN05000610	CHIP RES.	0 OHM 1/10W J	CRJ10DJ0R0T
HDMI	R367		nsp	00MNN05103610	CHIP RES.	10K OHM 1/10W J	CRJ10DJ103T
HDMI	R368		nsp	00MNN05101610	CHIP RES.	100 OHM 1/10W J	CRJ10DJ101T
HDMI	R369		nsp	00MNN05101610	CHIP RES.	100 OHM 1/10W J	CRJ10DJ101T
HDMI	R371		nsp	00MNN05472610	CHIP RES.	4.7K OHM 1/10W J	CRJ10DJ472T
HDMI	R372		nsp	00MNN05682610	CHIP RES.	6.8K OHM 1/10W J	CRJ10DJ682T
HDMI	R373		nsp	00MNN05332610	CHIP RES.	3.3K OHM 1/10W J	CRJ10DJ332T
HDMI	R374		nsp	00MNN05473610	CHIP RES.	47K OHM 1/10W J	CRJ10DJ473T
HDMI	R375		nsp	00MNN05101610	CHIP RES.	100 OHM 1/10W J	CRJ10DJ101T
HDMI	R376		nsp	00MNN05000610	CHIP RES.	0 OHM 1/10W J	CRJ10DJ0R0T
HDMI	R383		nsp	00MNN05000610	CHIP RES.	0 OHM 1/10W J	CRJ10DJ0R0T
HDMI	R384		nsp	00MNN05000610	CHIP RES.	0 OHM 1/10W J	CRJ10DJ0R0T
HDMI	R385		nsp	00MNN05101610	CHIP RES.	100 OHM 1/10W J	CRJ10DJ101T
HDMI	R386		nsp	00MNN05102610	CHIP RES.	1K OHM 1/10W J	CRJ10DJ102T
HDMI	R387		nsp	00MNN05222610	CHIP RES.	2.2K OHM 1/10W J	CRJ10DJ222T
HDMI	R388		nsp	00MNN05102610	CHIP RES.	1K OHM 1/10W J	CRJ10DJ102T
HDMI	R389		nsp	00MNN05103610	CHIP RES.	10K OHM 1/10W J	CRJ10DJ103T
HDMI	R390		nsp	00MNN05182610	CHIP RES.	1.8K OHM 1/10W J	CRJ10DJ182T
HDMI	R391		nsp	00MNN05182610	CHIP RES.	1.8K OHM 1/10W J	CRJ10DJ182T
HDMI	R392		nsp	00MNN05103610	CHIP RES.	10K OHM 1/10W J	CRJ10DJ103T
HDMI	R398		nsp	00MNN05101610	CHIP RES.	100 OHM 1/10W J	CRJ10DJ101T
HDMI	R399		nsp	00MNN05101610	CHIP RES.	100 OHM 1/10W J	CRJ10DJ101T
HDMI	R400		nsp	00MNN05103610	CHIP RES.	10K OHM 1/10W J	CRJ10DJ103T
HDMI	R401		nsp	00MNN05472610	CHIP RES.	4.7K OHM 1/10W J	CRJ10DJ472T
HDMI	R402		nsp	00MNN05682610	CHIP RES.	6.8K OHM 1/10W J	CRJ10DJ682T
HDMI	R403		nsp	00MNN05332610	CHIP RES.	3.3K OHM 1/10W J	CRJ10DJ332T
HDMI	R404		nsp	00MNN05473610	CHIP RES.	47K OHM 1/10W J	CRJ10DJ473T

NOTE : "nsp" PART IS LISTED FOR REFERENCE ONLY, MARANTZ WILL NOT SUPPLY THESE PARTS

P.W.B. NAME	POS. NO.	VERS. COLOR	PART NO. (FOR EUR)	PART NO. (MZ)	PART NAME	DESCRIPTION	
HDMI	R405		nsp	00MNN05101610	CHIP RES.	100 OHM 1/10W J	CRJ10DJ101T
HDMI	R406		nsp	00MNN05103610	CHIP RES.	10K OHM 1/10W J	CRJ10DJ103T
HDMI	R407		nsp	00MNN05103610	CHIP RES.	10K OHM 1/10W J	CRJ10DJ103T
HDMI	R501		nsp	00MNN05220610	CHIP RES.	22 OHM 1/10W J	CRJ10DJ220T
HDMI	R502		nsp	00MNN05220610	CHIP RES.	22 OHM 1/10W J	CRJ10DJ220T
HDMI	R503		nsp	00MNN05220610	CHIP RES.	22 OHM 1/10W J	CRJ10DJ220T
HDMI	R504		nsp	00MNN05220610	CHIP RES.	22 OHM 1/10W J	CRJ10DJ220T
HDMI	R505		nsp	00MNN05101610	CHIP RES.	100 OHM 1/10W J	CRJ10DJ101T
HDMI	R506		nsp	00MNN05101610	CHIP RES.	100 OHM 1/10W J	CRJ10DJ101T
HDMI	R507		nsp	00MNN05220610	CHIP RES.	22 OHM 1/10W J	CRJ10DJ220T
HDMI	R508		nsp	00MNN05000610	CHIP RES.	0 OHM 1/10W J	CRJ10DJ0R0T
HDMI	R512		nsp	00MNN05472610	CHIP RES.	4.7K OHM 1/10W J	CRJ10DJ472T
HDMI	R513		nsp	00MNN05472610	CHIP RES.	4.7K OHM 1/10W J	CRJ10DJ472T
HDMI	R514		nsp	00MNN05472610	CHIP RES.	4.7K OHM 1/10W J	CRJ10DJ472T
HDMI	R515		nsp	00MNN05472610	CHIP RES.	4.7K OHM 1/10W J	CRJ10DJ472T
HDMI	R517		nsp	00MNN05220610	CHIP RES.	22 OHM 1/10W J	CRJ10DJ220T
HDMI	R518		nsp	00MNN05472610	CHIP RES.	4.7K OHM 1/10W J	CRJ10DJ472T
HDMI	R519		nsp	00MNN05472610	CHIP RES.	4.7K OHM 1/10W J	CRJ10DJ472T
HDMI	R520		nsp	00MNN05472610	CHIP RES.	4.7K OHM 1/10W J	CRJ10DJ472T
HDMI	R521		nsp	00MNN05220610	CHIP RES.	22 OHM 1/10W J	CRJ10DJ220T
HDMI	R522		nsp	00MNN05220610	CHIP RES.	22 OHM 1/10W J	CRJ10DJ220T
HDMI	R523		nsp	00MNN05220610	CHIP RES.	22 OHM 1/10W J	CRJ10DJ220T
HDMI	R524		nsp	00MNN05220610	CHIP RES.	22 OHM 1/10W J	CRJ10DJ220T
HDMI	R525		nsp	00MNN05220610	CHIP RES.	22 OHM 1/10W J	CRJ10DJ220T
HDMI	R526		nsp	00MNN05220610	CHIP RES.	22 OHM 1/10W J	CRJ10DJ220T
HDMI	R527		nsp	00MNN05220610	CHIP RES.	22 OHM 1/10W J	CRJ10DJ220T
HDMI	R528		nsp	00MNN05220610	CHIP RES.	22 OHM 1/10W J	CRJ10DJ220T
HDMI	R529		nsp	00MNN05473610	CHIP RES.	47K OHM 1/10W J	CRJ10DJ473T
HDMI	R531		nsp	00MNN05473610	CHIP RES.	47K OHM 1/10W J	CRJ10DJ473T
HDMI	R532		00MNM12200020	00MNM12200020	CHIP RES.	220 OHM 1%	CRJ10DF2200T
HDMI	R533		00MNM11800020	00MNM11800020	CHIP RES.	180 OHM 1%	CRJ10DF1800T
HDMI	R534		00MNM11800020	00MNM11800020	CHIP RES.	180 OHM 1%	CRJ10DF1800T
HDMI	R535		00MNM12200020	00MNM12200020	CHIP RES.	220 OHM 1%	CRJ10DF2200T
HDMI	R536		nsp	90M-NN000810R	CHIP RES.	82 OHM 1%	CRJ10DF82R0T
HDMI	R537		nsp	90M-NN000820R	CHIP RES.	15 OHM 1%	CRJ10DF15R0T
HDMI	R538		nsp	00MNN05000610	CHIP RES.	0 OHM 1/10W J	CRJ10DJ0R0T
HDMI	R539		nsp	00MNN05000610	CHIP RES.	0 OHM 1/10W J	CRJ10DJ0R0T
HDMI	R542		nsp	00MNN05472610	CHIP RES.	4.7K OHM 1/10W J	CRJ10DJ472T
HDMI	R543		nsp	00MNN05000610	CHIP RES.	0 OHM 1/10W J	CRJ10DJ0R0T
HDMI	R544		nsp	00MNN05000610	CHIP RES.	0 OHM 1/10W J	CRJ10DJ0R0T
HDMI	R545		nsp	00MNN05000610	CHIP RES.	0 OHM 1/10W J	CRJ10DJ0R0T
HDMI	R546		nsp	00MNN05472610	CHIP RES.	4.7K OHM 1/10W J	CRJ10DJ472T
HDMI	R547		nsp	00MNN05000610	CHIP RES.	0 OHM 1/10W J	CRJ10DJ0R0T
HDMI	R553		nsp	00MNN05331610	CHIP RES.	330 OHM 1/10W J	CRJ10DJ331T
HDMI	R554		nsp	00MNN05561610	CHIP RES.	560 OHM 1/10W J	CRJ10DJ561T
HDMI	R601		nsp	00MNN05105610	CHIP RES.	1M OHM 1/10W J	CRJ10DJ105T
HDMI	R602		nsp	00MNN05105610	CHIP RES.	1M OHM 1/10W J	CRJ10DJ105T
HDMI	R603		nsp	00MNN05105610	CHIP RES.	1M OHM 1/10W J	CRJ10DJ105T
HDMI	R604		nsp	00MNN05105610	CHIP RES.	1M OHM 1/10W J	CRJ10DJ105T
HDMI	R605		nsp	00MNN05102610	CHIP RES.	1K OHM 1/10W J	CRJ10DJ102T
HDMI	R606		nsp	00MNN05102610	CHIP RES.	1K OHM 1/10W J	CRJ10DJ102T
HDMI	R607		nsp	00MNN05102610	CHIP RES.	1K OHM 1/10W J	CRJ10DJ102T
HDMI	R608		nsp	00MNN05102610	CHIP RES.	1K OHM 1/10W J	CRJ10DJ102T
HDMI	R609		nsp	00MNN05821610	CHIP RES.	820 OHM 1/10W J	CRJ10DJ821T
HDMI	R610		nsp	00MNN05152610	CHIP RES.	1.5K OHM 1/10W J	CRJ10DJ152T
HDMI	R611		nsp	00MNN05750610	CHIP RES.	75 OHM 1/10W J	CRJ10DJ750T
HDMI	R612		nsp	00MNN05750610	CHIP RES.	75 OHM 1/10W J	CRJ10DJ750T
HDMI	R613		nsp	00MNN05750610	CHIP RES.	75 OHM 1/10W J	CRJ10DJ750T
HDMI	R614		nsp	00MNN05103610	CHIP RES.	10K OHM 1/10W J	CRJ10DJ103T
HDMI	R615		nsp	00MNN05562610	CHIP RES.	5.6K OHM 1/10W J	CRJ10DJ562T
HDMI	R617		nsp	00MNN05101610	CHIP RES.	100 OHM 1/10W J	CRJ10DJ101T
HDMI	R618		nsp	00MNN05101610	CHIP RES.	100 OHM 1/10W J	CRJ10DJ101T
HDMI	R619		nsp	00MNN05220610	CHIP RES.	22 OHM 1/10W J	CRJ10DJ220T
HDMI	R620		nsp	00MNN05220610	CHIP RES.	22 OHM 1/10W J	CRJ10DJ220T
HDMI	R621		nsp	00MNN05000610	CHIP RES.	0 OHM 1/10W J	CRJ10DJ0R0T
HDMI	R622		nsp	00MNN05220610	CHIP RES.	22 OHM 1/10W J	CRJ10DJ220T
HDMI	R623		nsp	00MNN05220610	CHIP RES.	22 OHM 1/10W J	CRJ10DJ220T

NOTE : *nsp* PART IS LISTED FOR REFERENCE ONLY, MARANTZ WILL NOT SUPPLY THESE PARTS.

P.W.B. NAME	POS. NO.	VERS. COLOR	PART NO. (FOR EUR)	PART NO. (MZ)	PART NAME	DESCRIPTION
HDMI	R624		nsp	00MNN05220610	CHIP RES.	22 OHM 1/10W J CRJ10DJ220T
HDMI	R625		nsp	00MNN05220610	CHIP RES.	22 OHM 1/10W J CRJ10DJ220T
HDMI	R626		nsp	00MNN05220610	CHIP RES.	22 OHM 1/10W J CRJ10DJ220T
HDMI	R627		nsp	00MNN05220610	CHIP RES.	22 OHM 1/10W J CRJ10DJ220T
HDMI	R628		nsp	00MNN05220610	CHIP RES.	22 OHM 1/10W J CRJ10DJ220T
HDMI	R629		nsp	00MNN05220610	CHIP RES.	22 OHM 1/10W J CRJ10DJ220T
HDMI	R630		nsp	00MNN05105610	CHIP RES.	1M OHM 1/10W J CRJ10DJ105T
HDMI	R631		nsp	00MNN05220610	CHIP RES.	22 OHM 1/10W J CRJ10DJ220T
HDMI	R632		nsp	00MNN05220610	CHIP RES.	22 OHM 1/10W J CRJ10DJ220T
HDMI	R633		nsp	00MNN05273610	CHIP RES.	27K OHM 1/10W J CRJ10DJ273T
HDMI	R634		nsp	00MNN05182610	CHIP RES.	1.8K OHM 1/10W J CRJ10DJ182T
HDMI	R635		nsp	00MNN05000610	CHIP RES.	0 OHM 1/10W J CRJ10DJ0R0T
HDMI	R637		nsp	00MNN05272610	CHIP RES.	2.7K OHM 1/10W J CRJ10DJ272T
HDMI	R638		nsp	00MNN05272610	CHIP RES.	2.7K OHM 1/10W J CRJ10DJ272T
HDMI	R639		nsp	00MNN05000610	CHIP RES.	0 OHM 1/10W J CRJ10DJ0R0T
HDMI	R640		nsp	00MNN05000610	CHIP RES.	0 OHM 1/10W J CRJ10DJ0R0T
HDMI	R641		nsp	00MNN05000610	CHIP RES.	0 OHM 1/10W J CRJ10DJ0R0T
HDMI	R644		nsp	00MNN05000610	CHIP RES.	0 OHM 1/10W J CRJ10DJ0R0T
HDMI	R645		nsp	00MNN05000610	CHIP RES.	0 OHM 1/10W J CRJ10DJ0R0T
HDMI	R646		nsp	00MNN05220610	CHIP RES.	22 OHM 1/10W J CRJ10DJ220T
HDMI	R647		nsp	00MNN05220610	CHIP RES.	22 OHM 1/10W J CRJ10DJ220T
HDMI	R650		nsp	00MNN05220610	CHIP RES.	22 OHM 1/10W J CRJ10DJ220T
HDMI	R651		nsp	00MNN05220610	CHIP RES.	22 OHM 1/10W J CRJ10DJ220T
HDMI	R652		nsp	00MNN05101610	CHIP RES.	100 OHM 1/10W J CRJ10DJ101T
HDMI	R653		nsp	00MNN05101610	CHIP RES.	100 OHM 1/10W J CRJ10DJ101T
HDMI	R655		nsp	00MNN05103610	CHIP RES.	10K OHM 1/10W J CRJ10DJ103T
HDMI	R656		nsp	00MNN05101610	CHIP RES.	100 OHM 1/10W J CRJ10DJ101T
HDMI	R657		nsp	00MNN05103610	CHIP RES.	10K OHM 1/10W J CRJ10DJ103T
HDMI	R658		nsp	00MNN05101610	CHIP RES.	100 OHM 1/10W J CRJ10DJ101T
HDMI	R659		nsp	00MNN05000610	CHIP RES.	0 OHM 1/10W J CRJ10DJ0R0T
HDMI	R661		nsp	00MNN05101610	CHIP RES.	100 OHM 1/10W J CRJ10DJ101T
HDMI	R662		nsp	00MNN05101610	CHIP RES.	100 OHM 1/10W J CRJ10DJ101T
HDMI	R663		nsp	00MNN05103610	CHIP RES.	10K OHM 1/10W J CRJ10DJ103T
HDMI	R664		nsp	00MNN05101610	CHIP RES.	100 OHM 1/10W J CRJ10DJ101T
HDMI	R665		nsp	00MNN05681610	CHIP RES.	680 OHM 1/10W J CRJ10DJ681T
HDMI	R666		nsp	00MNN05391610	CHIP RES.	390 OHM 1/10W J CRJ10DJ391T
HDMI	R667		nsp	00MNN05272610	CHIP RES.	2.7K OHM 1/10W J CRJ10DJ272T
HDMI	R668		nsp	90M-NN000850R	CHIP RES.	6.8K OHM 1608 1% CRJ10DF6801T
HDMI	R669		nsp	90M-NN000850R	CHIP RES.	6.8K OHM 1608 1% CRJ10DF6801T
HDMI	R670		nsp	00MNN05391610	CHIP RES.	390 OHM 1/10W J CRJ10DJ391T
HDMI	R671		nsp	00MNN05272610	CHIP RES.	2.7K OHM 1/10W J CRJ10DJ272T
HDMI	R672		nsp	90M-NN000860R	CHIP RES.	300 OHM 1/10W J CRJ10DJ301T
HDMI	R673		nsp	90M-NN000860R	CHIP RES.	300 OHM 1/10W J CRJ10DJ301T
HDMI	R674		nsp	90M-NN000860R	CHIP RES.	300 OHM 1/10W J CRJ10DJ301T
HDMI	R675		nsp	90M-NN000860R	CHIP RES.	300 OHM 1/10W J CRJ10DJ301T
HDMI	R676		nsp	90M-NN000860R	CHIP RES.	300 OHM 1/10W J CRJ10DJ301T
HDMI	R677		nsp	90M-NN000860R	CHIP RES.	300 OHM 1/10W J CRJ10DJ301T
HDMI	R682		nsp	00MNN05000610	CHIP RES.	0 OHM 1/10W J CRJ10DJ0R0T
HDMI	R683		nsp	00MNN05000610	CHIP RES.	0 OHM 1/10W J CRJ10DJ0R0T
HDMI	R684		nsp	00MNN05000610	CHIP RES.	0 OHM 1/10W J CRJ10DJ0R0T
HDMI	R686		nsp	00MNN05473610	CHIP RES.	47K OHM 1/10W J CRJ10DJ473T
HDMI	R687		nsp	00MNN05000610	CHIP RES.	0 OHM 1/10W J CRJ10DJ0R0T
HDMI	R694		nsp	00MNN05220610	CHIP RES.	22 OHM 1/10W J CRJ10DJ220T
HDMI	R695		nsp	00MNN05220610	CHIP RES.	22 OHM 1/10W J CRJ10DJ220T
HDMI	R696		nsp	00MNN05220610	CHIP RES.	22 OHM 1/10W J CRJ10DJ220T
HDMI	R699		nsp	00MNN05000610	CHIP RES.	0 OHM 1/10W J CRJ10DJ0R0T
HDMI	R701		nsp	00MNN05220610	CHIP RES.	22 OHM 1/10W J CRJ10DJ220T
HDMI	R702		nsp	00MNN05220610	CHIP RES.	22 OHM 1/10W J CRJ10DJ220T
HDMI	R707		nsp	00MNN05220610	CHIP RES.	22 OHM 1/10W J CRJ10DJ220T
HDMI	R708		nsp	00MNN05220610	CHIP RES.	22 OHM 1/10W J CRJ10DJ220T
HDMI	R709		nsp	00MNN05220610	CHIP RES.	22 OHM 1/10W J CRJ10DJ220T
HDMI	R710		nsp	00MNN05220610	CHIP RES.	22 OHM 1/10W J CRJ10DJ220T
HDMI	R711		nsp	00MNN05220610	CHIP RES.	22 OHM 1/10W J CRJ10DJ220T
HDMI	R712		nsp	00MNN05103610	CHIP RES.	10K OHM 1/10W J CRJ10DJ103T
HDMI	R713		nsp	00MNN05000610	CHIP RES.	0 OHM 1/10W J CRJ10DJ0R0T
HDMI	R714		nsp	00MNN05000610	CHIP RES.	0 OHM 1/10W J CRJ10DJ0R0T
HDMI	R715		nsp	00MNN05000610	CHIP RES.	0 OHM 1/10W J CRJ10DJ0R0T

NOTE : "nsp" PART IS LISTED FOR REFERENCE ONLY, MARANTZ WILL NOT SUPPLY THESE PARTS

P.W.B. NAME	POS. NO.	VERS. COLOR	PART NO. (FOR EUR)	PART NO. (MZ)	PART NAME	DESCRIPTION	
HDMI	R716		nsp	00MNN05000610	CHIP RES.	0 OHM 1/10W J	CRJ10DJ0R0T
HDMI	R717		nsp	00MNN05000610	CHIP RES.	0 OHM 1/10W J	CRJ10DJ0R0T
HDMI	R718		nsp	00MNN05000610	CHIP RES.	0 OHM 1/10W J	CRJ10DJ0R0T
HDMI	R719		nsp	00MNN05000610	CHIP RES.	0 OHM 1/10W J	CRJ10DJ0R0T
HDMI	R790		nsp	00MNN05000610	CHIP RES.	0 OHM 1/10W J	CRJ10DJ0R0T
HDMI	R791		nsp	00MNN05000610	CHIP RES.	0 OHM 1/10W J	CRJ10DJ0R0T
HDMI	R792		nsp	00MNN05000610	CHIP RES.	0 OHM 1/10W J	CRJ10DJ0R0T
HDMI	R793		nsp	00MNN05000610	CHIP RES.	0 OHM 1/10W J	CRJ10DJ0R0T
HDMI	R794		nsp	00MNN05000610	CHIP RES.	0 OHM 1/10W J	CRJ10DJ0R0T
HDMI	R795		nsp	00MNN05000610	CHIP RES.	0 OHM 1/10W J	CRJ10DJ0R0T
HDMI	R796		nsp	00MNN05000610	CHIP RES.	0 OHM 1/10W J	CRJ10DJ0R0T
HDMI	R797		nsp	00MNN05000610	CHIP RES.	0 OHM 1/10W J	CRJ10DJ0R0T
HDMI	R798		nsp	00MNN05000610	CHIP RES.	0 OHM 1/10W J	CRJ10DJ0R0T
HDMI	R799		nsp	00MNN05000610	CHIP RES.	0 OHM 1/10W J	CRJ10DJ0R0T
HDMI	R801		nsp	00MNN05153610	CHIP RES.	15K OHM 1/10W J	CRJ10DJ153T
HDMI	R802		nsp	00MNN05103610	CHIP RES.	10K OHM 1/10W J	CRJ10DJ103T
HDMI	R803		nsp	00MNN05471610	CHIP RES.	470 OHM 1/10W J	CRJ10DJ471T
HDMI	R804		nsp	00MNN05471610	CHIP RES.	470 OHM 1/10W J	CRJ10DJ471T
HDMI	R805		nsp	00MNN05471610	CHIP RES.	470 OHM 1/10W J	CRJ10DJ471T
HDMI	R806		nsp	00MNN05151610	CHIP RES.	150 OHM 1/10W J	CRJ10DJ151T
HDMI	R807		nsp	00MNN05103610	CHIP RES.	10K OHM 1/10W J	CRJ10DJ103T
HDMI	R808		nsp	00MNN05102610	CHIP RES.	1K OHM 1/10W J	CRJ10DJ102T
HDMI	R809		nsp	00MNN05102610	CHIP RES.	1K OHM 1/10W J	CRJ10DJ102T
HDMI	R810		nsp	00MNN05471610	CHIP RES.	470 OHM 1/10W J	CRJ10DJ471T
HDMI	R811		nsp	00MNN05471610	CHIP RES.	470 OHM 1/10W J	CRJ10DJ471T
HDMI	R812		nsp	00MNN05471610	CHIP RES.	470 OHM 1/10W J	CRJ10DJ471T
HDMI	R813		nsp	00MNN05103610	CHIP RES.	10K OHM 1/10W J	CRJ10DJ103T
HDMI	R814		nsp	00MNN05153610	CHIP RES.	15K OHM 1/10W J	CRJ10DJ153T
HDMI	R815		nsp	00MNN05103610	CHIP RES.	10K OHM 1/10W J	CRJ10DJ103T
HDMI	R816		nsp	00MNN05471610	CHIP RES.	470 OHM 1/10W J	CRJ10DJ471T
HDMI	R817		nsp	00MNN05471610	CHIP RES.	470 OHM 1/10W J	CRJ10DJ471T
HDMI	R818		nsp	00MNN05471610	CHIP RES.	470 OHM 1/10W J	CRJ10DJ471T
HDMI	R819		nsp	00MNN05151610	CHIP RES.	150 OHM 1/10W J	CRJ10DJ151T
HDMI	R820		nsp	00MNN05103610	CHIP RES.	10K OHM 1/10W J	CRJ10DJ103T
HDMI	R821		nsp	00MNN05102610	CHIP RES.	1K OHM 1/10W J	CRJ10DJ102T
HDMI	R822		nsp	00MNN05102610	CHIP RES.	1K OHM 1/10W J	CRJ10DJ102T
HDMI	R823		nsp	00MNN05471610	CHIP RES.	470 OHM 1/10W J	CRJ10DJ471T
HDMI	R824		nsp	00MNN05471610	CHIP RES.	470 OHM 1/10W J	CRJ10DJ471T
HDMI	R825		nsp	00MNN05471610	CHIP RES.	470 OHM 1/10W J	CRJ10DJ471T
HDMI	R826		nsp	00MNN05103610	CHIP RES.	10K OHM 1/10W J	CRJ10DJ103T
HDMI	R827		nsp	00MNN05153610	CHIP RES.	15K OHM 1/10W J	CRJ10DJ153T
HDMI	R828		nsp	00MNN05103610	CHIP RES.	10K OHM 1/10W J	CRJ10DJ103T
HDMI	R829		nsp	00MNN05471610	CHIP RES.	470 OHM 1/10W J	CRJ10DJ471T
HDMI	R830		nsp	00MNN05471610	CHIP RES.	470 OHM 1/10W J	CRJ10DJ471T
HDMI	R831		nsp	00MNN05471610	CHIP RES.	470 OHM 1/10W J	CRJ10DJ471T
HDMI	R832		nsp	00MNN05151610	CHIP RES.	150 OHM 1/10W J	CRJ10DJ151T
HDMI	R833		nsp	00MNN05103610	CHIP RES.	10K OHM 1/10W J	CRJ10DJ103T
HDMI	R834		nsp	00MNN05102610	CHIP RES.	1K OHM 1/10W J	CRJ10DJ102T
HDMI	R835		nsp	00MNN05102610	CHIP RES.	1K OHM 1/10W J	CRJ10DJ102T
HDMI	R836		nsp	00MNN05471610	CHIP RES.	470 OHM 1/10W J	CRJ10DJ471T
HDMI	R837		nsp	00MNN05471610	CHIP RES.	470 OHM 1/10W J	CRJ10DJ471T
HDMI	R838		nsp	00MNN05471610	CHIP RES.	470 OHM 1/10W J	CRJ10DJ471T
HDMI	R839		nsp	00MNN05103610	CHIP RES.	10K OHM 1/10W J	CRJ10DJ103T
HDMI	R840		nsp	00MNN05153610	CHIP RES.	15K OHM 1/10W J	CRJ10DJ153T
HDMI	R841		nsp	00MNN05103610	CHIP RES.	10K OHM 1/10W J	CRJ10DJ103T
HDMI	R842		nsp	00MNN05471610	CHIP RES.	470 OHM 1/10W J	CRJ10DJ471T
HDMI	R843		nsp	00MNN05471610	CHIP RES.	470 OHM 1/10W J	CRJ10DJ471T
HDMI	R844		nsp	00MNN05561610	CHIP RES.	560 OHM 1/10W J	CRJ10DJ561T
HDMI	R845		nsp	00MNN05103610	CHIP RES.	10K OHM 1/10W J	CRJ10DJ103T
HDMI	R846		nsp	00MNN05102610	CHIP RES.	1K OHM 1/10W J	CRJ10DJ102T
HDMI	R847		nsp	00MNN05102610	CHIP RES.	1K OHM 1/10W J	CRJ10DJ102T
HDMI	R848		nsp	00MNN05102610	CHIP RES.	1K OHM 1/10W J	CRJ10DJ102T
HDMI	R849		nsp	00MNN05153610	CHIP RES.	15K OHM 1/10W J	CRJ10DJ153T
HDMI	R850		nsp	00MNN05103610	CHIP RES.	10K OHM 1/10W J	CRJ10DJ103T
HDMI	R851		nsp	00MNN05471610	CHIP RES.	470 OHM 1/10W J	CRJ10DJ471T
HDMI	R852		nsp	00MNN05471610	CHIP RES.	470 OHM 1/10W J	CRJ10DJ471T
HDMI	R853		nsp	00MNN05561610	CHIP RES.	560 OHM 1/10W J	CRJ10DJ561T

NOTE : *nsp* PART IS LISTED FOR REFERENCE ONLY, MARANTZ WILL NOT SUPPLY THESE PARTS.

P.W.B. NAME	POS. NO.	VERS. COLOR	PART NO. (FOR EUR)	PART NO. (MZ)	PART NAME	DESCRIPTION	
HDMI	R854		nsp	00MNN05103610	CHIP RES.	10K OHM 1/10W J	CRJ10DJ103T
HDMI	R855		nsp	00MNN05102610	CHIP RES.	1K OHM 1/10W J	CRJ10DJ102T
HDMI	R856		nsp	00MNN05102610	CHIP RES.	1K OHM 1/10W J	CRJ10DJ102T
HDMI	R857		nsp	00MNN05153610	CHIP RES.	15K OHM 1/10W J	CRJ10DJ153T
HDMI	R858		nsp	00MNN05103610	CHIP RES.	10K OHM 1/10W J	CRJ10DJ103T
HDMI	R859		nsp	00MNN05471610	CHIP RES.	470 OHM 1/10W J	CRJ10DJ471T
HDMI	R860		nsp	00MNN05471610	CHIP RES.	470 OHM 1/10W J	CRJ10DJ471T
HDMI	R861		nsp	00MNN05561610	CHIP RES.	560 OHM 1/10W J	CRJ10DJ561T
HDMI	R862		nsp	00MNN05103610	CHIP RES.	10K OHM 1/10W J	CRJ10DJ103T
HDMI	R863		nsp	00MNN05102610	CHIP RES.	1K OHM 1/10W J	CRJ10DJ102T
HDMI	R864		nsp	00MNN05102610	CHIP RES.	1K OHM 1/10W J	CRJ10DJ102T
HDMI	R885		00MNM12200020	00MNM12200020	CHIP RES.	220 OHM 1%	CRJ10DF2200T
HDMI	R886		00MNM11800020	00MNM11800020	CHIP RES.	180 OHM 1%	CRJ10DF1800T
HDMI	R887		00MNM11800020	00MNM11800020	CHIP RES.	180 OHM 1%	CRJ10DF1800T
HDMI	R891		nsp	00MNN05000610	CHIP RES.	0 OHM 1/10W J	CRJ10DJ0R0T
HDMI	R892		nsp	00MNN05000610	CHIP RES.	0 OHM 1/10W J	CRJ10DJ0R0T
HDMI	R893		nsp	00MNN05000610	CHIP RES.	0 OHM 1/10W J	CRJ10DJ0R0T
HDMI	R894		nsp	00MNN05000610	CHIP RES.	0 OHM 1/10W J	CRJ10DJ0R0T
HDMI	R895		nsp	00MNN05000610	CHIP RES.	0 OHM 1/10W J	CRJ10DJ0R0T
HDMI	R896		nsp	00MNN05000610	CHIP RES.	0 OHM 1/10W J	CRJ10DJ0R0T
HDMI	R897		nsp	00MNN05000610	CHIP RES.	0 OHM 1/10W J	CRJ10DJ0R0T
HDMI	R898		nsp	00MNN05000610	CHIP RES.	0 OHM 1/10W J	CRJ10DJ0R0T
HDMI	R901		nsp	90M-NN000840R	CHIP RES.	330 OHM/1608/1%	CRJ10DF3300T
HDMI	R902		nsp	90M-NN000580R	CHIP RES.	1K OHM 1/10W F	CRJ10DF1001T
HDMI	R905		nsp	00MNN05103610	CHIP RES.	10K OHM 1/10W J	CRJ10DJ103T
HDMI	R906		nsp	00MNN05103610	CHIP RES.	10K OHM 1/10W J	CRJ10DJ103T
HDMI	R907		nsp	00MNN05222610	CHIP RES.	2.2K OHM 1/10W J	CRJ10DJ222T
HDMI	R908		nsp	00MNN05222610	CHIP RES.	2.2K OHM 1/10W J	CRJ10DJ222T
HDMI	R909		nsp	00MNN05103610	CHIP RES.	10K OHM 1/10W J	CRJ10DJ103T
HDMI	R910		nsp	00MNN05103610	CHIP RES.	10K OHM 1/10W J	CRJ10DJ103T
HDMI	R911		nsp	00MNN05473610	CHIP RES.	47K OHM 1/10W J	CRJ10DJ473T
HDMI	R912		nsp	00MNN05273610	CHIP RES.	27K OHM 1/10W J	CRJ10DJ273T
HDMI	R913		nsp	00MNN05473610	CHIP RES.	47K OHM 1/10W J	CRJ10DJ473T
HDMI	R914		nsp	00MNN05473610	CHIP RES.	47K OHM 1/10W J	CRJ10DJ473T
HDMI	R915		nsp	00MNN05473610	CHIP RES.	47K OHM 1/10W J	CRJ10DJ473T
HDMI	R916		nsp	00MNN05332610	CHIP RES.	3.3K OHM 1/10W J	CRJ10DJ332T
HDMI	R917		nsp	00MNN05332610	CHIP RES.	3.3K OHM 1/10W J	CRJ10DJ332T
HDMI	R918		nsp	00MNN05101610	CHIP RES.	100 OHM 1/10W J	CRJ10DJ101T
HDMI	R919		nsp	00MNN05682610	CHIP RES.	6.8K OHM 1/10W J	CRJ10DJ682T
HDMI	R920		nsp	00MNN05682610	CHIP RES.	6.8K OHM 1/10W J	CRJ10DJ682T
HDMI	R922		nsp	00MNN05473610	CHIP RES.	47K OHM 1/10W J	CRJ10DJ473T
HDMI	R923		nsp	00MNN05473610	CHIP RES.	47K OHM 1/10W J	CRJ10DJ473T
HDMI	R924		nsp	00MNN05473610	CHIP RES.	47K OHM 1/10W J	CRJ10DJ473T
HDMI	R925		nsp	00MNN05473610	CHIP RES.	47K OHM 1/10W J	CRJ10DJ473T
HDMI	R926		nsp	00MNN05473610	CHIP RES.	47K OHM 1/10W J	CRJ10DJ473T
HDMI	R927		nsp	00MNN05473610	CHIP RES.	47K OHM 1/10W J	CRJ10DJ473T
HDMI	R928		nsp	00MNN05473610	CHIP RES.	47K OHM 1/10W J	CRJ10DJ473T
HDMI	R929		nsp	00MNN05473610	CHIP RES.	47K OHM 1/10W J	CRJ10DJ473T
HDMI	R930		nsp	00MNN05473610	CHIP RES.	47K OHM 1/10W J	CRJ10DJ473T
HDMI	R931		nsp	00MNN05473610	CHIP RES.	47K OHM 1/10W J	CRJ10DJ473T
HDMI	R932		nsp	00MNN05473610	CHIP RES.	47K OHM 1/10W J	CRJ10DJ473T
HDMI	R933		nsp	00MNN05473610	CHIP RES.	47K OHM 1/10W J	CRJ10DJ473T
HDMI	R934		nsp	00MNN05473610	CHIP RES.	47K OHM 1/10W J	CRJ10DJ473T
HDMI	R935		nsp	00MNN05473610	CHIP RES.	47K OHM 1/10W J	CRJ10DJ473T
HDMI	R936		nsp	00MNN05473610	CHIP RES.	47K OHM 1/10W J	CRJ10DJ473T
HDMI	R939		nsp	00MNN05000610	CHIP RES.	0 OHM 1/10W J	CRJ10DJ0R0T
HDMI	R940		nsp	00MNN05473610	CHIP RES.	47K OHM 1/10W J	CRJ10DJ473T
HDMI	R941		nsp	00MNN05473610	CHIP RES.	47K OHM 1/10W J	CRJ10DJ473T
HDMI	R942		nsp	00MNN05473610	CHIP RES.	47K OHM 1/10W J	CRJ10DJ473T
HDMI	R943		nsp	00MNN05473610	CHIP RES.	47K OHM 1/10W J	CRJ10DJ473T
HDMI	R944		nsp	00MNN05473610	CHIP RES.	47K OHM 1/10W J	CRJ10DJ473T
HDMI	R945		nsp	00MNN05473610	CHIP RES.	47K OHM 1/10W J	CRJ10DJ473T
HDMI	R946		nsp	00MNN05473610	CHIP RES.	47K OHM 1/10W J	CRJ10DJ473T
HDMI	R947		nsp	00MNN05473610	CHIP RES.	47K OHM 1/10W J	CRJ10DJ473T
HDMI	R948		nsp	00MNN05473610	CHIP RES.	47K OHM 1/10W J	CRJ10DJ473T
HDMI	R949		nsp	00MNN05473610	CHIP RES.	47K OHM 1/10W J	CRJ10DJ473T
HDMI	R950		nsp	00MNN05473610	CHIP RES.	47K OHM 1/10W J	CRJ10DJ473T

NOTE : "nsp" PART IS LISTED FOR REFERENCE ONLY, MARANTZ WILL NOT SUPPLY THESE PARTS

P.W.B. NAME	POS. NO.	VERS. COLOR	PART NO. (FOR EUR)	PART NO. (MZ)	PART NAME	DESCRIPTION	
HDMI	R951		nsp	00MNN05473610	CHIP RES.	47K OHM 1/10W J	CRJ10DJ473T
HDMI	R952		nsp	00MNN05000610	CHIP RES.	0 OHM 1/10W J	CRJ10DJ0R0T
HDMI	R953		nsp	00MNN05103610	CHIP RES.	10K OHM 1/10W J	CRJ10DJ103T
HDMI	R954		nsp	00MNN05103610	CHIP RES.	10K OHM 1/10W J	CRJ10DJ103T
HDMI	R956		nsp	00MNN05103610	CHIP RES.	10K OHM 1/10W J	CRJ10DJ103T
HDMI	R957		nsp	00MNN05103610	CHIP RES.	10K OHM 1/10W J	CRJ10DJ103T
HDMI	R958		nsp	00MNN05103610	CHIP RES.	10K OHM 1/10W J	CRJ10DJ103T
HDMI	R959		nsp	00MNN05103610	CHIP RES.	10K OHM 1/10W J	CRJ10DJ103T
HDMI	R960		nsp	00MNN05103610	CHIP RES.	10K OHM 1/10W J	CRJ10DJ103T
HDMI	R961		00MNM12200020	00MNM12200020	CHIP RES.	220 OHM 1%	CRJ10DF2200T
HDMI	R962		nsp	90M-NN000810R	CHIP RES.	82 OHM 1%	CRJ10DF82R0T
HDMI	R963		nsp	90M-NN000820R	CHIP RES.	15 OHM 1%	CRJ10DF15R0T
HDMI	R964		00MNM12200020	00MNM12200020	CHIP RES.	220 OHM 1%	CRJ10DF2200T
HDMI	R965		nsp	90M-NN000810R	CHIP RES.	82 OHM 1%	CRJ10DF82R0T
HDMI	R966		nsp	90M-NN000820R	CHIP RES.	15 OHM 1%	CRJ10DF15R0T
HDMI	R967		00MNM12200020	00MNM12200020	CHIP RES.	220 OHM 1%	CRJ10DF2200T
HDMI	R968		nsp	90M-NN000810R	CHIP RES.	82 OHM 1%	CRJ10DF82R0T
HDMI	R969		nsp	90M-NN000820R	CHIP RES.	15 OHM 1%	CRJ10DF15R0T
HDMI	R970		00MNM12200020	00MNM12200020	CHIP RES.	220 OHM 1%	CRJ10DF2200T
HDMI	R971		00MNM12200020	00MNM12200020	CHIP RES.	220 OHM 1%	CRJ10DF2200T
HDMI	R972		00MNM12200020	00MNM12200020	CHIP RES.	220 OHM 1%	CRJ10DF2200T
HDMI	R973		00MNM11800020	00MNM11800020	CHIP RES.	180 OHM 1%	CRJ10DF1800T
HDMI	R974		00MNM11800020	00MNM11800020	CHIP RES.	180 OHM 1%	CRJ10DF1800T
HDMI	R975		00MNM12200020	00MNM12200020	CHIP RES.	220 OHM 1%	CRJ10DF2200T
HDMI	R976		00MNM11800020	00MNM11800020	CHIP RES.	180 OHM 1%	CRJ10DF1800T
HDMI	R977		00MNM11800020	00MNM11800020	CHIP RES.	180 OHM 1%	CRJ10DF1800T
HDMI	R978		00MNM12200020	00MNM12200020	CHIP RES.	220 OHM 1%	CRJ10DF2200T
HDMI	R979		nsp	90M-NN000810R	CHIP RES.	82 OHM 1%	CRJ10DF82R0T
HDMI	R980		nsp	90M-NN000820R	CHIP RES.	15 OHM 1%	CRJ10DF15R0T
HDMI	R981		00MNM12200020	00MNM12200020	CHIP RES.	220 OHM 1%	CRJ10DF2200T
HDMI	R982		00MNM11800020	00MNM11800020	CHIP RES.	180 OHM 1%	CRJ10DF1800T
HDMI	R983		00MNM11800020	00MNM11800020	CHIP RES.	180 OHM 1%	CRJ10DF1800T
HDMI	R984		00MNM12200020	00MNM12200020	CHIP RES.	220 OHM 1%	CRJ10DF2200T
HDMI	R985		nsp	90M-NN000810R	CHIP RES.	82 OHM 1%	CRJ10DF82R0T
HDMI	R986		nsp	90M-NN000820R	CHIP RES.	15 OHM 1%	CRJ10DF15R0T
HDMI	R987		nsp	00MNN05103610	CHIP RES.	10K OHM 1/10W J	CRJ10DJ103T
HDMI	R988		nsp	00MNN05103610	CHIP RES.	10K OHM 1/10W J	CRJ10DJ103T
HDMI	R989		nsp	00MNN05103610	CHIP RES.	10K OHM 1/10W J	CRJ10DJ103T
HDMI	R990		nsp	00MNN05103610	CHIP RES.	10K OHM 1/10W J	CRJ10DJ103T
HDMI	R991		nsp	00MNN05103610	CHIP RES.	10K OHM 1/10W J	CRJ10DJ103T
HDMI	R993		nsp	00MNN05000610	CHIP RES.	0 OHM 1/10W J	CRJ10DJ0R0T
HDMI	R994		nsp	00MNN05000610	CHIP RES.	0 OHM 1/10W J	CRJ10DJ0R0T
HDMI	R995		nsp	00MNN05000610	CHIP RES.	0 OHM 1/10W J	CRJ10DJ0R0T
HDMI	R996		nsp	00MNN05000610	CHIP RES.	0 OHM 1/10W J	CRJ10DJ0R0T
HDMI	R997		nsp	00MNN05000610	CHIP RES.	0 OHM 1/10W J	CRJ10DJ0R0T
HDMI	R998		nsp	00MNN05000610	CHIP RES.	0 OHM 1/10W J	CRJ10DJ0R0T
HDMI	R999		nsp	00MNN05000610	CHIP RES.	0 OHM 1/10W J	CRJ10DJ0R0T
HDMI	RN31		90M-BW000470R	90M-BW000470R	RES. COMPO.	RES ARRAY 0 OHM 1608X4	CRJ104DJ0R0T
HDMI	RN32		90M-BW000470R	90M-BW000470R	RES. COMPO.	RES ARRAY 0 OHM 1608X4	CRJ104DJ0R0T
HDMI	RN33		90M-BW000470R	90M-BW000470R	RES. COMPO.	RES ARRAY 0 OHM 1608X4	CRJ104DJ0R0T
HDMI	RN34		90M-BW000470R	90M-BW000470R	RES. COMPO.	RES ARRAY 0 OHM 1608X4	CRJ104DJ0R0T
HDMI	RN35		90M-BW000470R	90M-BW000470R	RES. COMPO.	RES ARRAY 0 OHM 1608X4	CRJ104DJ0R0T
HDMI	RN36		90M-BW000470R	90M-BW000470R	RES. COMPO.	RES ARRAY 0 OHM 1608X4	CRJ104DJ0R0T
HDMI	RN37		90M-BW000470R	90M-BW000470R	RES. COMPO.	RES ARRAY 0 OHM 1608X4	CRJ104DJ0R0T
HDMI	RN38		90M-BW000470R	90M-BW000470R	RES. COMPO.	RES ARRAY 0 OHM 1608X4	CRJ104DJ0R0T
HDMI	RN39		90M-BW000470R	90M-BW000470R	RES. COMPO.	RES ARRAY 0 OHM 1608X4	CRJ104DJ0R0T
HDMI	RN40		90M-BW000470R	90M-BW000470R	RES. COMPO.	RES ARRAY 0 OHM 1608X4	CRJ104DJ0R0T
HDMI	RN41		90M-BW000400R	90M-BW000400R	RES. COMPO.	22 OHM X4 2012 ARRAY	CRJ104DJ220T
HDMI	RN42		90M-BW000400R	90M-BW000400R	RES. COMPO.	22 OHM X4 2012 ARRAY	CRJ104DJ220T
HDMI	RN43		90M-BW000400R	90M-BW000400R	RES. COMPO.	22 OHM X4 2012 ARRAY	CRJ104DJ220T
HDMI	RN44		90M-BW000400R	90M-BW000400R	RES. COMPO.	22 OHM X4 2012 ARRAY	CRJ104DJ220T
HDMI	RN61		90M-BW000400R	90M-BW000400R	RES. COMPO.	22 OHM X4 2012 ARRAY	CRJ104DJ220T
HDMI	RN62		90M-BW000400R	90M-BW000400R	RES. COMPO.	22 OHM X4 2012 ARRAY	CRJ104DJ220T
HDMI	RN63		90M-BW000400R	90M-BW000400R	RES. COMPO.	22 OHM X4 2012 ARRAY	CRJ104DJ220T
HDMI	RN64		90M-BW000470R	90M-BW000470R	RES. COMPO.	RES ARRAY 0 OHM 1608X4	CRJ104DJ0R0T
HDMI	RN65		90M-BW000470R	90M-BW000470R	RES. COMPO.	RES ARRAY 0 OHM 1608X4	CRJ104DJ0R0T
HDMI	RN66		90M-BW000400R	90M-BW000400R	RES. COMPO.	22 OHM X4 2012 ARRAY	CRJ104DJ220T

NOTE : *nsp* PART IS LISTED FOR REFERENCE ONLY, MARANTZ WILL NOT SUPPLY THESE PARTS.

P.W.B. NAME	POS. NO.	VERS. COLOR	PART NO. (FOR EUR)	PART NO. (MZ)	PART NAME	DESCRIPTION
HDMI	RN67		90M-BW000400R	90M-BW000400R	RES. COMPO.	22 OHM X4 2012 ARRAY CRJ104DJ220T
HDMI	RN68		90M-BW000400R	90M-BW000400R	RES. COMPO.	22 OHM X4 2012 ARRAY CRJ104DJ220T
HDMI	RN69		90M-BW000400R	90M-BW000400R	RES. COMPO.	22 OHM X4 2012 ARRAY CRJ104DJ220T
HDMI	RN70		90M-BW000400R	90M-BW000400R	RES. COMPO.	22 OHM X4 2012 ARRAY CRJ104DJ220T
HDMI	RN71		90M-BW000400R	90M-BW000400R	RES. COMPO.	22 OHM X4 2012 ARRAY CRJ104DJ220T
HDMI	RN72		90M-BW000400R	90M-BW000400R	RES. COMPO.	22 OHM X4 2012 ARRAY CRJ104DJ220T
HDMI	RN73		90M-BW000400R	90M-BW000400R	RES. COMPO.	22 OHM X4 2012 ARRAY CRJ104DJ220T
HDMI	RN75		90M-BW000400R	90M-BW000400R	RES. COMPO.	22 OHM X4 2012 ARRAY CRJ104DJ220T
HDMI	RN76		90M-BW000400R	90M-BW000400R	RES. COMPO.	22 OHM X4 2012 ARRAY CRJ104DJ220T
HDMI	RN77		90M-BW000400R	90M-BW000400R	RES. COMPO.	22 OHM X4 2012 ARRAY CRJ104DJ220T
HDMI	RN78		90M-BW000400R	90M-BW000400R	RES. COMPO.	22 OHM X4 2012 ARRAY CRJ104DJ220T
HDMI	RN81		90M-BW000400R	90M-BW000400R	RES. COMPO.	22 OHM X4 2012 ARRAY CRJ104DJ220T
HDMI	RN82		90M-BW000400R	90M-BW000400R	RES. COMPO.	22 OHM X4 2012 ARRAY CRJ104DJ220T
HDMI	RN83		90M-BW000400R	90M-BW000400R	RES. COMPO.	22 OHM X4 2012 ARRAY CRJ104DJ220T
HDMI	RN84		90M-BW000400R	90M-BW000400R	RES. COMPO.	22 OHM X4 2012 ARRAY CRJ104DJ220T
HDMI	RN85		90M-BW000400R	90M-BW000400R	RES. COMPO.	22 OHM X4 2012 ARRAY CRJ104DJ220T
HDMI	RN86		90M-BW000400R	90M-BW000400R	RES. COMPO.	22 OHM X4 2012 ARRAY CRJ104DJ220T
HDMI	RN87		90M-BW000400R	90M-BW000400R	RES. COMPO.	22 OHM X4 2012 ARRAY CRJ104DJ220T
HDMI	RN88		90M-BW000400R	90M-BW000400R	RES. COMPO.	22 OHM X4 2012 ARRAY CRJ104DJ220T
HDMI	RN89		90M-BW000400R	90M-BW000400R	RES. COMPO.	22 OHM X4 2012 ARRAY CRJ104DJ220T
HDMI	RN90		90M-BW000400R	90M-BW000400R	RES. COMPO.	22 OHM X4 2012 ARRAY CRJ104DJ220T
HDMI	RN91		90M-BW000400R	90M-BW000400R	RES. COMPO.	22 OHM X4 2012 ARRAY CRJ104DJ220T
HDMI	RN92		90M-BW000400R	90M-BW000400R	RES. COMPO.	22 OHM X4 2012 ARRAY CRJ104DJ220T
HDMI	RN93		90M-BW000400R	90M-BW000400R	RES. COMPO.	22 OHM X4 2012 ARRAY CRJ104DJ220T
HDMI	RN94		90M-BW000400R	90M-BW000400R	RES. COMPO.	22 OHM X4 2012 ARRAY CRJ104DJ220T
HDMI	RN95		90M-BW000400R	90M-BW000400R	RES. COMPO.	22 OHM X4 2012 ARRAY CRJ104DJ220T
HDMI	RN96		90M-BW000400R	90M-BW000400R	RES. COMPO.	22 OHM X4 2012 ARRAY CRJ104DJ220T
HDMI	X301		90M-JX001430R	90M-JX001430R	X'TAL	28.322MHZ HC-49/S COX28322E180TF
HDMI	X601		90M-JX001360R	90M-JX001360R	X'TAL	28.636MHZ COX28636E330TF
HDMI	X901		90M-JX001190R	90M-JX001190R	X'TAL	20MHZ HOX20000E220TF
					INPUT PWB (CUP12077Z)	
INPUT	BK11		nsp	nsp	BRACKET	BRACKET FOR PWB CMD1A569
INPUT	BN29		nsp	nsp	CORD	5P WIRE ASSY(150MM 2.0MM) CWB1A005150EN
INPUT	BN50		nsp	nsp	CORD	9P WIRE ASSY(250MM 2.5MM) CWB1C009250BM
INPUT	BN73		nsp	nsp	CORD	3P WIRE ASSY(100MM 2.0MM) CWB1A003100EN
INPUT	BN77		nsp	nsp	CORD	3P WIRE ASSY(200MM 2.5MM) CWB1B003200BM
INPUT	BN80		nsp	nsp	CORD	13P WIRE ASSY(150MM 2.0MM) CWB1C013150EN
INPUT	BN86		nsp	nsp	CORD	3P WIRE ASSY(650MM 2.0MM) CWZAV8003BN86
INPUT	BN87		nsp	nsp	CORD	9P WIRE ASSY(450MM 2.0MM) CWZAV8003BN87
INPUT	BN88		nsp	nsp	CORD	9P WIRE ASSY(400MM 2.0MM) CWZAV8003BN88
INPUT	BN89		nsp	nsp	CORD	5P WIRE ASSY(250MM 2.0MM) CWB1B005250EN
INPUT	C201		nsp	00MDD95471300	CER. CAP.	470PF 50V JA CCUS1H471JA
INPUT	C202		nsp	00MDD95471300	CER. CAP.	470PF 50V JA CCUS1H471JA
INPUT	C203		nsp	00MDD95471300	CER. CAP.	470PF 50V JA CCUS1H471JA
INPUT	C204		nsp	00MDD95471300	CER. CAP.	470PF 50V JA CCUS1H471JA
INPUT	C205		nsp	00MDD95471300	CER. CAP.	470PF 50V JA CCUS1H471JA
INPUT	C206		nsp	00MDD95471300	CER. CAP.	470PF 50V JA CCUS1H471JA
INPUT	C207		nsp	00MDD95471300	CER. CAP.	470PF 50V JA CCUS1H471JA
INPUT	C208		nsp	00MDD95471300	CER. CAP.	470PF 50V JA CCUS1H471JA
INPUT	C209		nsp	00MDD95471300	CER. CAP.	470PF 50V JA CCUS1H471JA
INPUT	C210		nsp	00MDD95471300	CER. CAP.	470PF 50V JA CCUS1H471JA
INPUT	C211		nsp	00MDD95471300	CER. CAP.	470PF 50V JA CCUS1H471JA
INPUT	C212		nsp	00MDD95471300	CER. CAP.	470PF 50V JA CCUS1H471JA
INPUT	C213		nsp	00MDD95471300	CER. CAP.	470PF 50V JA CCUS1H471JA
INPUT	C214		nsp	00MDD95471300	CER. CAP.	470PF 50V JA CCUS1H471JA
INPUT	C215		nsp	00MDD95471300	CER. CAP.	470PF 50V JA CCUS1H471JA
INPUT	C216		nsp	00MDD95471300	CER. CAP.	470PF 50V JA CCUS1H471JA
INPUT	C217		nsp	00MDD95471300	CER. CAP.	470PF 50V JA CCUS1H471JA
INPUT	C218		nsp	00MDD95471300	CER. CAP.	470PF 50V JA CCUS1H471JA
INPUT	C219		nsp	00MDD95471300	CER. CAP.	470PF 50V JA CCUS1H471JA
INPUT	C220		nsp	00MDD95471300	CER. CAP.	470PF 50V JA CCUS1H471JA
INPUT	C221		nsp	00MDD95471300	CER. CAP.	470PF 50V JA CCUS1H471JA
INPUT	C222		nsp	00MDD95471300	CER. CAP.	470PF 50V JA CCUS1H471JA
INPUT	C223		nsp	00MDD95471300	CER. CAP.	470PF 50V JA CCUS1H471JA
INPUT	C224		nsp	00MDD95471300	CER. CAP.	470PF 50V JA CCUS1H471JA
INPUT	C225		nsp	00MOA10605020	ELECT CAP.	10UF 50V CCEA1HH100T
INPUT	C226		nsp	00MOA10605020	ELECT CAP.	10UF 50V CCEA1HH100T

NOTE : "nsp" PART IS LISTED FOR REFERENCE ONLY, MARANTZ WILL NOT SUPPLY THESE PARTS

P.W.B. NAME	POS. NO.	VERS. COLOR	PART NO. (FOR EUR)	PART NO. (MZ)	PART NAME	DESCRIPTION
INPUT	C227		nsp	00MOA10605020	ELECT CAP.	10UF 50V CCEA1HH100T
INPUT	C228		nsp	00MOA10605020	ELECT CAP.	10UF 50V CCEA1HH100T
INPUT	C229		nsp	00MOA10605020	ELECT CAP.	10UF 50V CCEA1HH100T
INPUT	C230		nsp	00MOA10605020	ELECT CAP.	10UF 50V CCEA1HH100T
INPUT	C231		nsp	00MOA10605020	ELECT CAP.	10UF 50V CCEA1HH100T
INPUT	C232		nsp	00MOA10605020	ELECT CAP.	10UF 50V CCEA1HH100T
INPUT	C233		nsp	00MOA10605020	ELECT CAP.	10UF 50V CCEA1HH100T
INPUT	C234		nsp	00MOA10605020	ELECT CAP.	10UF 50V CCEA1HH100T
INPUT	C235		nsp	00MOA10605020	ELECT CAP.	10UF 50V CCEA1HH100T
INPUT	C236		nsp	00MOA10605020	ELECT CAP.	10UF 50V CCEA1HH100T
INPUT	C237		nsp	00MOA10605020	ELECT CAP.	10 UF M 50V RA2-50V100ME3E# HCEA1HRA100T
INPUT	C238		nsp	00MOA10605020	ELECT CAP.	10 UF M 50V RA2-50V100ME3E# HCEA1HRA100T
INPUT	C239		nsp	00MDK96104300	CER. CAP.	0.1UF 50V K CCUS1H104KC
INPUT	C240		nsp	00MDK96104300	CER. CAP.	0.1UF 50V K CCUS1H104KC
INPUT	C241		nsp	90M-OA0001 40R	ELECT CAP.	10UF 50V ROA-50V100MF3#- HCEA1HROA100T
INPUT	C242		nsp	90M-OA0001 40R	ELECT CAP.	10UF 50V ROA-50V100MF3#- HCEA1HROA100T
INPUT	C243		nsp	00MDK96104300	CER. CAP.	0.1UF 50V K CCUS1H104KC
INPUT	C244		nsp	00MDK96104300	CER. CAP.	0.1UF 50V K CCUS1H104KC
INPUT	C245		nsp	00MOA10605020	ELECT CAP.	10UF 50V CCEA1HH100T
INPUT	C246		nsp	00MOA10605020	ELECT CAP.	10UF 50V CCEA1HH100T
INPUT	C247		nsp	00MDK96104300	CER. CAP.	0.1UF 50V K CCUS1H104KC
INPUT	C248		nsp	00MDK96104300	CER. CAP.	0.1UF 50V K CCUS1H104KC
INPUT	C249		nsp	00MOA10605020	ELECT CAP.	10UF 50V CCEA1HH100T
INPUT	C250		nsp	00MOA10605020	ELECT CAP.	10UF 50V CCEA1HH100T
INPUT	C251		nsp	00MDK96104300	CER. CAP.	0.1UF 50V K CCUS1H104KC
INPUT	C252		nsp	00MDK96104300	CER. CAP.	0.1UF 50V K CCUS1H104KC
INPUT	C253		nsp	00MOA10605020	ELECT CAP.	10UF 50V CCEA1HH100T
INPUT	C254		nsp	00MOA10605020	ELECT CAP.	10UF 50V CCEA1HH100T
INPUT	C255		nsp	00MDK96104300	CER. CAP.	0.1UF 50V K CCUS1H104KC
INPUT	C256		nsp	00MDK96104300	CER. CAP.	0.1UF 50V K CCUS1H104KC
INPUT	C257		nsp	00MOA10605020	ELECT CAP.	10UF 50V CCEA1HH100T
INPUT	C258		nsp	00MOA10605020	ELECT CAP.	10UF 50V CCEA1HH100T
INPUT	C259		nsp	00MOA10605020	ELECT CAP.	10UF 50V CCEA1HH100T
INPUT	C260		nsp	00MOA10605020	ELECT CAP.	10UF 50V CCEA1HH100T
INPUT	C261		nsp	00MDK96104300	CER. CAP.	0.1UF 50V K CCUS1H104KC
INPUT	C262		nsp	00MDK96104300	CER. CAP.	0.1UF 50V K CCUS1H104KC
INPUT	C263		nsp	00MOA10605020	ELECT CAP.	10UF 50V CCEA1HH100T
INPUT	C264		nsp	00MOA10605020	ELECT CAP.	10UF 50V CCEA1HH100T
INPUT	C265		nsp	00MOA10605020	ELECT CAP.	10UF 50V CCEA1HH100T
INPUT	C266		nsp	00MOA10605020	ELECT CAP.	10UF 50V CCEA1HH100T
INPUT	C267		nsp	00MDK96104300	CER. CAP.	0.1UF 50V K CCUS1H104KC
INPUT	C268		nsp	00MDK96104300	CER. CAP.	0.1UF 50V K CCUS1H104KC
INPUT	C269		nsp	00MOA10605020	ELECT CAP.	10UF 50V CCEA1HH100T
INPUT	C270		nsp	00MOA10605020	ELECT CAP.	10UF 50V CCEA1HH100T
INPUT	C271		nsp	00MOA10605020	ELECT CAP.	10UF 50V CCEA1HH100T
INPUT	C272		nsp	00MOA10605020	ELECT CAP.	10UF 50V CCEA1HH100T
INPUT	C273		nsp	00MOA10605020	ELECT CAP.	10 UF M 50V RA2-50V100ME3E# HCEA1HRA100T
INPUT	C274		nsp	00MOA10605020	ELECT CAP.	10 UF M 50V RA2-50V100ME3E# HCEA1HRA100T
INPUT	C275		nsp	00MOA10605020	ELECT CAP.	10 UF M 50V RA2-50V100ME3E# HCEA1HRA100T
INPUT	C276		nsp	00MOA10605020	ELECT CAP.	10 UF M 50V RA2-50V100ME3E# HCEA1HRA100T
INPUT	C277		nsp	00MOA10605020	ELECT CAP.	10 UF M 50V RA2-50V100ME3E# HCEA1HRA100T
INPUT	C278		nsp	00MOA10605020	ELECT CAP.	10 UF M 50V RA2-50V100ME3E# HCEA1HRA100T
INPUT	C279		nsp	00MOA10605020	ELECT CAP.	10 UF M 50V RA2-50V100ME3E# HCEA1HRA100T
INPUT	C280		nsp	00MOA10605020	ELECT CAP.	10 UF M 50V RA2-50V100ME3E# HCEA1HRA100T
INPUT	C281		nsp	00MDK96104300	CER. CAP.	0.1UF 50V K CCUS1H104KC
INPUT	C282		nsp	00MDK96104300	CER. CAP.	0.1UF 50V K CCUS1H104KC
INPUT	C283		nsp	00MOA10605020	ELECT CAP.	10 UF M 50V RA2-50V100ME3E# HCEA1HRA100T
INPUT	C284		nsp	00MOA10605020	ELECT CAP.	10 UF M 50V RA2-50V100ME3E# HCEA1HRA100T
INPUT	C285		nsp	00MDK96104300	CER. CAP.	0.1UF 50V K CCUS1H104KC
INPUT	C286		nsp	00MDK96104300	CER. CAP.	0.1UF 50V K CCUS1H104KC
INPUT	C287		nsp	00MOA10605020	ELECT CAP.	10 UF M 50V RA2-50V100ME3E# HCEA1HRA100T
INPUT	C288		nsp	00MOA10605020	ELECT CAP.	10 UF M 50V RA2-50V100ME3E# HCEA1HRA100T
INPUT	C289		nsp	00MDK96104300	CER. CAP.	0.1UF 50V K CCUS1H104KC
INPUT	C290		nsp	00MDK96104300	CER. CAP.	0.1UF 50V K CCUS1H104KC
INPUT	C291		nsp	00MOA10605020	ELECT CAP.	10 UF M 50V RA2-50V100ME3E# HCEA1HRA100T
INPUT	C292		nsp	00MOA10605020	ELECT CAP.	10 UF M 50V RA2-50V100ME3E# HCEA1HRA100T
INPUT	C293		nsp	00MDK96104300	CER. CAP.	0.1UF 50V K CCUS1H104KC

NOTE : *nsp* PART IS LISTED FOR REFERENCE ONLY, MARANTZ WILL NOT SUPPLY THESE PARTS.

P.W.B. NAME	POS. NO.	VERS. COLOR	PART NO. (FOR EUR)	PART NO. (MZ)	PART NAME	DESCRIPTION	
INPUT	C294		nsp	00MDK96104300	CER. CAP.	0.1UF 50V K	CCUS1H104KC
INPUT	C295		nsp	00MOA10605020	ELECT CAP.	10 UF M 50V RA2-50V100ME3E#	HCEA1HRA100T
INPUT	C296		nsp	00MOA10605020	ELECT CAP.	10 UF M 50V RA2-50V100ME3E#	HCEA1HRA100T
INPUT	C297		nsp	00MDK96104300	CER. CAP.	0.1UF 50V K	CCUS1H104KC
INPUT	C298		nsp	00MDD95101300	CER. CAP.	100PF 50V JA	CCUS1H101JA
INPUT	C299		nsp	00MDK96104300	CER. CAP.	0.1UF 50V K	CCUS1H104KC
INPUT	C300		nsp	00MDK96104300	CER. CAP.	0.1UF 50V K	CCUS1H104KC
INPUT	C301		nsp	00MDK96104300	CER. CAP.	0.1UF 50V K	CCUS1H104KC
INPUT	C302		nsp	00MDD95101300	CER. CAP.	100PF 50V JA	CCUS1H101JA
INPUT	C303		nsp	00MOA10605020	ELECT CAP.	10 UF M 50V RA2-50V100ME3E#	HCEA1HRA100T
INPUT	C304		nsp	00MOA10605020	ELECT CAP.	10 UF M 50V RA2-50V100ME3E#	HCEA1HRA100T
INPUT	C305		nsp	00MDK96104300	CER. CAP.	0.1UF 50V K	CCUS1H104KC
INPUT	C306		nsp	00MDK96104300	CER. CAP.	0.1UF 50V K	CCUS1H104KC
INPUT	C307		nsp	00MDD95101300	CER. CAP.	100PF 50V JA	CCUS1H101JA
INPUT	C308		nsp	00MDD95101300	CER. CAP.	100PF 50V JA	CCUS1H101JA
INPUT	C309		nsp	90M-OA000140R	ELECT CAP.	10UF 50V ROA-50V100MF3#-	HCEA1HROA100T
INPUT	C310		nsp	90M-OA000140R	ELECT CAP.	10UF 50V ROA-50V100MF3#-	HCEA1HROA100T
INPUT	C311		nsp	00MOA10605020	ELECT CAP.	10 UF M 50V RA2-50V100ME3E#	HCEA1HRA100T
INPUT	C312		nsp	00MOA10605020	ELECT CAP.	10 UF M 50V RA2-50V100ME3E#	HCEA1HRA100T
INPUT	C313		nsp	00MDK96104300	CER. CAP.	0.1UF 50V K	CCUS1H104KC
INPUT	C314		nsp	00MDK96104300	CER. CAP.	0.1UF 50V K	CCUS1H104KC
INPUT	C315		nsp	00MDD95101300	CER. CAP.	100PF 50V JA	CCUS1H101JA
INPUT	C316		nsp	00MDD95101300	CER. CAP.	100PF 50V JA	CCUS1H101JA
INPUT	C317		nsp	90M-OA000140R	ELECT CAP.	10UF 50V ROA-50V100MF3#-	HCEA1HROA100T
INPUT	C318		nsp	90M-OA000140R	ELECT CAP.	10UF 50V ROA-50V100MF3#-	HCEA1HROA100T
INPUT	C319		nsp	00MOA10605020	ELECT CAP.	10 UF M 50V RA2-50V100ME3E#	HCEA1HRA100T
INPUT	C320		nsp	00MOA10605020	ELECT CAP.	10 UF M 50V RA2-50V100ME3E#	HCEA1HRA100T
INPUT	C321		nsp	00MDK96104300	CER. CAP.	0.1UF 50V K	CCUS1H104KC
INPUT	C322		nsp	00MDK96104300	CER. CAP.	0.1UF 50V K	CCUS1H104KC
INPUT	C323		nsp	00MDD95101300	CER. CAP.	100PF 50V JA	CCUS1H101JA
INPUT	C324		nsp	00MDD95101300	CER. CAP.	100PF 50V JA	CCUS1H101JA
INPUT	C325		nsp	90M-OA000140R	ELECT CAP.	10UF 50V ROA-50V100MF3#-	HCEA1HROA100T
INPUT	C326		nsp	90M-OA000140R	ELECT CAP.	10UF 50V ROA-50V100MF3#-	HCEA1HROA100T
INPUT	C327		nsp	00MOA10605020	ELECT CAP.	10 UF M 50V RA2-50V100ME3E#	HCEA1HRA100T
INPUT	C328		nsp	00MOA10605020	ELECT CAP.	10 UF M 50V RA2-50V100ME3E#	HCEA1HRA100T
INPUT	C329		nsp	00MDK96104300	CER. CAP.	0.1UF 50V K	CCUS1H104KC
INPUT	C330		nsp	00MDK96104300	CER. CAP.	0.1UF 50V K	CCUS1H104KC
INPUT	C331		nsp	00MDD95101300	CER. CAP.	100PF 50V JA	CCUS1H101JA
INPUT	C332		nsp	00MDD91100300	CER. CAP.	10PF 50V JA	CCUS1H100JA
INPUT	C333		nsp	90M-OA000140R	ELECT CAP.	10UF 50V ROA-50V100MF3#-	HCEA1HROA100T
INPUT	C334		nsp	90M-OA000140R	ELECT CAP.	10UF 50V ROA-50V100MF3#-	HCEA1HROA100T
INPUT	C335		nsp	00MOA10605020	ELECT CAP.	10 UF M 50V RA2-50V100ME3E#	HCEA1HRA100T
INPUT	C336		nsp	00MOA10605020	ELECT CAP.	10 UF M 50V RA2-50V100ME3E#	HCEA1HRA100T
INPUT	C337		nsp	00MOA10605020	ELECT CAP.	10 UF M 50V RA2-50V100ME3E#	HCEA1HRA100T
INPUT	C338		nsp	00MOA10605020	ELECT CAP.	10 UF M 50V RA2-50V100ME3E#	HCEA1HRA100T
INPUT	C339		nsp	00MDD95101300	CER. CAP.	100PF 50V JA	CCUS1H101JA
INPUT	C340		nsp	00MDD95101300	CER. CAP.	100PF 50V JA	CCUS1H101JA
INPUT	C341		nsp	00MOA22605020	ELECT CAP.	22UF 50V RA2-50V220ME3#8	CCEA1HRA220T
INPUT	C342		nsp	00MOA22605020	ELECT CAP.	22UF 50V RA2-50V220ME3#8	CCEA1HRA220T
INPUT	C343		nsp	00MOA47602520	ELECT CAP.	47UF 25V	CCEA1EH470T
INPUT	C344		nsp	00MOA47602520	ELECT CAP.	47UF 25V	CCEA1EH470T
INPUT	C345		nsp	00MDK96104300	CER. CAP.	0.1UF 50V K	CCUS1H104KC
INPUT	C346		nsp	00MDK96104300	CER. CAP.	0.1UF 50V K	CCUS1H104KC
INPUT	C347		nsp	00MDK96104300	CER. CAP.	0.1UF 50V K	CCUS1H104KC
INPUT	C348		nsp	00MDK96104300	CER. CAP.	0.1UF 50V K	CCUS1H104KC
INPUT	C349		nsp	90M-OA000230R	ELECT CAP.	22UF 25V ROA-25V220MF3#-	HCEA1EROA220T
INPUT	C350		nsp	90M-OA000230R	ELECT CAP.	22UF 25V ROA-25V220MF3#-	HCEA1EROA220T
INPUT	C351		nsp	00MOA22605020	ELECT CAP.	22UF 50V	CCEA1HH220T
INPUT	C352		nsp	00MOA22605020	ELECT CAP.	22UF 50V	CCEA1HH220T
INPUT	C353		nsp	00MDK96104300	CER. CAP.	0.1UF 50V K	CCUS1H104KC
INPUT	C354		nsp	00MDK96104300	CER. CAP.	0.1UF 50V K	CCUS1H104KC
INPUT	C355		nsp	00MDD95101300	CER. CAP.	100PF 50V JA	CCUS1H101JA
INPUT	C356		nsp	00MDD95101300	CER. CAP.	100PF 50V JA	CCUS1H101JA
INPUT	C357		nsp	00MOA22605020	ELECT CAP.	22UF 50V RA2-50V220ME3#8	CCEA1HRA220T
INPUT	C358		nsp	00MOA22605020	ELECT CAP.	22UF 50V RA2-50V220ME3#8	CCEA1HRA220T
INPUT	C359		nsp	00MDD95471300	CER. CAP.	470PF 50V JA	CCUS1H471JA
INPUT	C360		nsp	00MDD95471300	CER. CAP.	470PF 50V JA	CCUS1H471JA

NOTE : "nsp" PART IS LISTED FOR REFERENCE ONLY, MARANTZ WILL NOT SUPPLY THESE PARTS

P.W.B. NAME	POS. NO.	VERS. COLOR	PART NO. (FOR EUR)	PART NO. (MZ)	PART NAME	DESCRIPTION
INPUT	C361		nsp	90M-OA000230R	ELECT CAP.	22UF 25V ROA-25V220MF3#- HCEA1EROA220T
INPUT	C362		nsp	90M-OA000230R	ELECT CAP.	22UF 25V ROA-25V220MF3#- HCEA1EROA220T
INPUT	C363		nsp	00MOA22605020	ELECT CAP.	22UF 50V CCEA1HH220T
INPUT	C364		nsp	00MOA22605020	ELECT CAP.	22UF 50V CCEA1HH220T
INPUT	C365		nsp	00MDK96104300	CER. CAP.	0.1UF 50V K CCUS1H104KC
INPUT	C366		nsp	00MDK96104300	CER. CAP.	0.1UF 50V K CCUS1H104KC
INPUT	C367		nsp	00MDD95101300	CER. CAP.	100PF 50V JA CCUS1H101JA
INPUT	C368		nsp	00MDD95101300	CER. CAP.	100PF 50V JA CCUS1H101JA
INPUT	C369		nsp	00MOA22605020	ELECT CAP.	22UF 50V RA2-50V220ME3#8 CCEA1HRA220T
INPUT	C370		nsp	00MOA22605020	ELECT CAP.	22UF 50V RA2-50V220ME3#8 CCEA1HRA220T
INPUT	C371		nsp	00MDD95471300	CER. CAP.	470PF 50V JA CCUS1H471JA
INPUT	C372		nsp	00MDD95471300	CER. CAP.	470PF 50V JA CCUS1H471JA
INPUT	C373		nsp	90M-OA000230R	ELECT CAP.	22UF 25V ROA-25V220MF3#- HCEA1EROA220T
INPUT	C374		nsp	90M-OA000230R	ELECT CAP.	22UF 25V ROA-25V220MF3#- HCEA1EROA220T
INPUT	C375		nsp	00MOA22605020	ELECT CAP.	22UF 50V CCEA1HH220T
INPUT	C376		nsp	00MOA22605020	ELECT CAP.	22UF 50V CCEA1HH220T
INPUT	C377		nsp	00MDK96104300	CER. CAP.	0.1UF 50V K CCUS1H104KC
INPUT	C378		nsp	00MDK96104300	CER. CAP.	0.1UF 50V K CCUS1H104KC
INPUT	C379		nsp	00MDD95101300	CER. CAP.	100PF 50V JA CCUS1H101JA
INPUT	C380		nsp	00MDD95101300	CER. CAP.	100PF 50V JA CCUS1H101JA
INPUT	C381		nsp	00MOA22605020	ELECT CAP.	22UF 50V RA2-50V220ME3#8 CCEA1HRA220T
INPUT	C382		nsp	00MOA22605020	ELECT CAP.	22UF 50V RA2-50V220ME3#8 CCEA1HRA220T
INPUT	C383		nsp	00MDD95471300	CER. CAP.	470PF 50V JA CCUS1H471JA
INPUT	C384		nsp	00MDD95471300	CER. CAP.	470PF 50V JA CCUS1H471JA
INPUT	C385		nsp	90M-OA000230R	ELECT CAP.	22UF 25V ROA-25V220MF3#- HCEA1EROA220T
INPUT	C386		nsp	00MOA22605020	ELECT CAP.	22UF 50V RA2-50V220ME3#8 CCEA1HRA220T
INPUT	C387		nsp	00MOA22605020	ELECT CAP.	22UF 50V CCEA1HH220T
INPUT	C388		nsp	00MOA47602520	ELECT CAP.	47UF 25V CCEA1EH470T
INPUT	C389		nsp	00MDK96104300	CER. CAP.	0.1UF 50V K CCUS1H104KC
INPUT	C390		nsp	00MDK96104300	CER. CAP.	0.1UF 50V K CCUS1H104KC
INPUT	C391		nsp	00MDD95101300	CER. CAP.	100PF 50V JA CCUS1H101JA
INPUT	C392		nsp	00MDD95101300	CER. CAP.	100PF 50V JA CCUS1H101JA
INPUT	C393		nsp	00MOA22605020	ELECT CAP.	22UF 50V RA2-50V220ME3#8 CCEA1HRA220T
INPUT	C394		nsp	00MOA22605020	ELECT CAP.	22UF 50V RA2-50V220ME3#8 CCEA1HRA220T
INPUT	C395		nsp	00MDD95471300	CER. CAP.	470PF 50V JA CCUS1H471JA
INPUT	C396		nsp	00MDD95471300	CER. CAP.	470PF 50V JA CCUS1H471JA
INPUT	C397		nsp	00MOA22605020	ELECT CAP.	22UF 50V RA2-50V220ME3#8 CCEA1HRA220T
INPUT	C398		nsp	00MOA22605020	ELECT CAP.	22UF 50V RA2-50V220ME3#8 CCEA1HRA220T
INPUT	C399		nsp	00MOA22605020	ELECT CAP.	22UF 50V CCEA1HH220T
INPUT	C400		nsp	00MOA22605020	ELECT CAP.	22UF 50V CCEA1HH220T
INPUT	C401		nsp	00MDK96104300	CER. CAP.	0.1UF 50V K CCUS1H104KC
INPUT	C402		nsp	00MDK96104300	CER. CAP.	0.1UF 50V K CCUS1H104KC
INPUT	C403		nsp	00MDD95101300	CER. CAP.	100PF 50V JA CCUS1H101JA
INPUT	C404		nsp	00MDD95101300	CER. CAP.	100PF 50V JA CCUS1H101JA
INPUT	C405		nsp	00MOA22605020	ELECT CAP.	22UF 50V RA2-50V220ME3#8 CCEA1HRA220T
INPUT	C406		nsp	00MOA22605020	ELECT CAP.	22UF 50V RA2-50V220ME3#8 CCEA1HRA220T
INPUT	C407		nsp	00MDD95471300	CER. CAP.	470PF 50V JA CCUS1H471JA
INPUT	C408		nsp	00MDD95471300	CER. CAP.	470PF 50V JA CCUS1H471JA
INPUT	C409		nsp	00MOA22605020	ELECT CAP.	22UF 50V RA2-50V220ME3#8 CCEA1HRA220T
INPUT	C410		nsp	00MOA22605020	ELECT CAP.	22UF 50V RA2-50V220ME3#8 CCEA1HRA220T
INPUT	C411		nsp	00MOA22605020	ELECT CAP.	22UF 50V CCEA1HH220T
INPUT	C412		nsp	00MOA22605020	ELECT CAP.	22UF 50V CCEA1HH220T
INPUT	C413		nsp	00MDK96104300	CER. CAP.	0.1UF 50V K CCUS1H104KC
INPUT	C414		nsp	00MDK96104300	CER. CAP.	0.1UF 50V K CCUS1H104KC
INPUT	C415		nsp	00MDD95101300	CER. CAP.	100PF 50V JA CCUS1H101JA
INPUT	C416		nsp	00MDD95101300	CER. CAP.	100PF 50V JA CCUS1H101JA
INPUT	C417		nsp	00MOA22605020	ELECT CAP.	22UF 50V RA2-50V220ME3#8 CCEA1HRA220T
INPUT	C418		nsp	00MOA22605020	ELECT CAP.	22UF 50V RA2-50V220ME3#8 CCEA1HRA220T
INPUT	C419		nsp	00MDD95471300	CER. CAP.	470PF 50V JA CCUS1H471JA
INPUT	C420		nsp	00MDD95471300	CER. CAP.	470PF 50V JA CCUS1H471JA
INPUT	C421		nsp	00MOA22605020	ELECT CAP.	22UF 50V RA2-50V220ME3#8 CCEA1HRA220T
INPUT	C422		nsp	00MOA22605020	ELECT CAP.	22UF 50V RA2-50V220ME3#8 CCEA1HRA220T
INPUT	C423		nsp	00MDK96104300	CER. CAP.	0.1UF 50V K CCUS1H104KC
INPUT	C424		nsp	00MDK96104300	CER. CAP.	0.1UF 50V K CCUS1H104KC
INPUT	C425		nsp	00MDD95101300	CER. CAP.	100PF 50V JA CCUS1H101JA
INPUT	C426		nsp	00MDD95101300	CER. CAP.	100PF 50V JA CCUS1H101JA
INPUT	C427		nsp	00MOA10705020	ELECT CAP.	100UF 50V CCEA1HH101T

NOTE : *nsp* PART IS LISTED FOR REFERENCE ONLY, MARANTZ WILL NOT SUPPLY THESE PARTS.

P.W.B. NAME	POS. NO.	VERS. COLOR	PART NO. (FOR EUR)	PART NO. (MZ)	PART NAME	DESCRIPTION	
INPUT	C428		nsp	00MOA10705020	ELECT CAP.	100UF 50V	CCEA1HH101T
INPUT	C429		nsp	00MOA10605020	ELECT CAP.	10UF 50V	CCEA1HH100T
INPUT	C430		nsp	00MOA10605020	ELECT CAP.	10UF 50V	CCEA1HH100T
INPUT	C431		nsp	90M-OA000570R	ELECT CAP.	1000UF 10V	CCEA1AH102E
INPUT	C433		nsp	00MDD95101300	CER. CAP.	100PF 50V JA	CCUS1H101JA
INPUT	C434		nsp	00MDD95101300	CER. CAP.	100PF 50V JA	CCUS1H101JA
INPUT	C435		nsp	00MDD95101300	CER. CAP.	100PF 50V JA	CCUS1H101JA
INPUT	C436		nsp	00MDD95101300	CER. CAP.	100PF 50V JA	CCUS1H101JA
INPUT	C437		nsp	00MDK96104300	CER. CAP.	0.1UF 50V K	CCUS1H104KC
INPUT	C438		nsp	00MDK96104300	CER. CAP.	0.1UF 50V K	CCUS1H104KC
INPUT	C439		nsp	00MOA47702520	ELECT CAP.	470UF/25V	CCEA1EH471E
INPUT	C440		nsp	00MOA47602520	ELECT CAP.	47UF 25V	CCEA1EH470T
INPUT	C441		nsp	00MDK96104300	CER. CAP.	0.1UF 50V K	CCUS1H104KC
INPUT	C442		90M-EA000930R	90M-EA000930R	ELECT CAP.	3300UF 16V	CCEA1CH332E
INPUT	C443		nsp	00MDK96104300	CER. CAP.	0.1UF 50V K	CCUS1H104KC
INPUT	C444		nsp	00MOA10701620	ELECT CAP.	100UF 16V	CCEA1CH101T
INPUT	C445		nsp	00MDK96104300	CER. CAP.	0.1UF 50V K	CCUS1H104KC
INPUT	C446		nsp	00MOA10702520	ELECT CAP.	100UF 25V	CCEA1EH101T
INPUT	C447		nsp	00MDK96103300	CER. CAP.	0.01UF 50V KC	CCUS1H103KC
INPUT	C448		nsp	00MDK96103300	CER. CAP.	0.01UF 50V KC	CCUS1H103KC
INPUT	C449		nsp	00MDK96103300	CER. CAP.	0.01UF 50V KC	CCUS1H103KC
INPUT	C450		nsp	00MDK96104300	CER. CAP.	0.1UF 50V K	CCUS1H104KC
INPUT	C451		nsp	00MDD95101300	CER. CAP.	100PF 50V JA	CCUS1H101JA
INPUT	C452		nsp	00MDD95101300	CER. CAP.	100PF 50V JA	CCUS1H101JA
INPUT	C453		nsp	00MDD95101300	CER. CAP.	100PF 50V JA	CCUS1H101JA
INPUT	C454		nsp	00MDD95101300	CER. CAP.	100PF 50V JA	CCUS1H101JA
INPUT	C455		nsp	00MOA22605020	ELECT CAP.	22UF 50V	CCEA1HH220T
INPUT	C456		nsp	00MOA22605020	ELECT CAP.	22UF 50V	CCEA1HH220T
INPUT	C457		nsp	00MDK96104300	CER. CAP.	0.1UF 50V K	CCUS1H104KC
INPUT	C458		nsp	00MDK96104300	CER. CAP.	0.1UF 50V K	CCUS1H104KC
INPUT	C461		nsp	nsp	CER. CAP.	0.1UF 50V Z	CCBS1H104ZFT
INPUT	CN69		nsp	nsp	CONN.	17P WAFER FFC FCZ100E-17SSK	CJP17GA117ZY
INPUT	CN79		nsp	nsp	CONN.	17P WAFER FFC 12511HS-17	CJP17GA115ZY
INPUT	CN85		nsp	nsp	CONN.	15P WAFER 20017WS-15	CJP15GA19ZY
INPUT	D201		00MHZ21303210	00MHZ21303210	DIODE	1SS355	CVD1SS355T
INPUT	D202		00MHZ21303210	00MHZ21303210	DIODE	1SS355	CVD1SS355T
INPUT	D203		00MHZ21303210	00MHZ21303210	DIODE	1SS355	CVD1SS355T
INPUT	D204		00MHZ21303210	00MHZ21303210	DIODE	1SS355	CVD1SS355T
INPUT	D205		00MHZ21303210	00MHZ21303210	DIODE	1SS355	CVD1SS355T
INPUT	ET22		nsp	nsp	TERMINAL	EARTH PLATE	CNE75
INPUT	IC11	/U1B	nsp	00MHC10102090	IC	NJM2068MD-TE1	HVINJM2068MDTE1
INPUT	IC21		90M-HC109900R	90M-HC109900R	IC	TC94A46CFG	CVITC94A46CFG
INPUT	IC22		00MHC10466050	00MHC10466050	IC	TC9274CNG-016	CVITC9274CNG-016
INPUT	IC23		00MHC10102090	00MHC10102090	IC	NJM2068MD-TE1	HVINJM2068MDTE1
INPUT	IC24		00MHC10102090	00MHC10102090	IC	NJM2068MD-TE1	HVINJM2068MDTE1
INPUT	IC25		00MHC10102090	00MHC10102090	IC	NJM2068MD-TE1	HVINJM2068MDTE1
INPUT	IC26		00MHC10102090	00MHC10102090	IC	NJM2068MD-TE1	HVINJM2068MDTE1
INPUT	IC27		00MHC10102090	00MHC10102090	IC	NJM2068MD-TE1	HVINJM2068MDTE1
INPUT	IC28		00MHC10102090	00MHC10102090	IC	NJM2068MD-TE1	HVINJM2068MDTE1
INPUT	IC29		00MHC10102090	00MHC10102090	IC	NJM2068MD-TE1	HVINJM2068MDTE1
INPUT	IC30		00MHC10102090	00MHC10102090	IC	NJM2068MD-TE1	HVINJM2068MDTE1
INPUT	IC31		00MHC10102090	00MHC10102090	IC	NJM2068MD-TE1	HVINJM2068MDTE1
INPUT	IC32		00MHC10102090	00MHC10102090	IC	NJM2068MD-TE1	HVINJM2068MDTE1
INPUT	IC33		00MHC10102090	00MHC10102090	IC	NJM2068MD-TE1	HVINJM2068MDTE1
INPUT	IC34		00MHC10102090	00MHC10102090	IC	NJM2068MD-TE1	HVINJM2068MDTE1
INPUT	IC35		00MHC10102090	00MHC10102090	IC	NJM2068MD-TE1	HVINJM2068MDTE1
INPUT	IC36		00MHC10102090	00MHC10102090	IC	NJM2068MD-TE1	HVINJM2068MDTE1
INPUT	IC37		00MHC10102090	00MHC10102090	IC	NJM2068MD-TE1	HVINJM2068MDTE1
INPUT	IC38		90M-HC109930R	90M-HC109930R	IC	TC9482BFG	HVITC9482BFG
INPUT	IC39		90M-HC109930R	90M-HC109930R	IC	TC9482BFG	HVITC9482BFG
INPUT	IC40		00MHC10102090	00MHC10102090	IC	NJM2068MD-TE1	HVINJM2068MDTE1
INPUT	IC41		00MHC10102090	00MHC10102090	IC	NJM2068MD-TE1	HVINJM2068MDTE1
INPUT	IC42		00MHC10102090	00MHC10102090	IC	NJM2068MD-TE1	HVINJM2068MDTE1
INPUT	IC43		00MHC10102090	00MHC10102090	IC	NJM2068MD-TE1	HVINJM2068MDTE1
INPUT	IC44		00MHC10102090	00MHC10102090	IC	NJM2068MD-TE1	HVINJM2068MDTE1
INPUT	IC45		00MHC10102090	00MHC10102090	IC	NJM2068MD-TE1	HVINJM2068MDTE1
INPUT	IC46		00MHC10200090	00MHC10200090	IC	NJM4556AL	HVINJM4556AL

NOTE : "nsp" PART IS LISTED FOR REFERENCE ONLY, MARANTZ WILL NOT SUPPLY THESE PARTS

P.W.B. NAME	POS. NO.	VERS. COLOR	PART NO. (FOR EUR)	PART NO. (MZ)	PART NAME	DESCRIPTION
INPUT	IC47		00MHC10102090	00MHC10102090	IC	NJM2068MD-TE1 HVINJM2068MDTE1
INPUT	J201		nsp	00MNN05000610	CHIP RES.	0 OHM 1/10W J CRJ10DJ0R0T
INPUT	J202		nsp	00MNN05000610	CHIP RES.	0 OHM 1/10W J CRJ10DJ0R0T
INPUT	J203		nsp	00MNN05000610	CHIP RES.	0 OHM 1/10W J CRJ10DJ0R0T
INPUT	J204		nsp	00MNN05000610	CHIP RES.	0 OHM 1/10W J CRJ10DJ0R0T
INPUT	JK21		90M-YT003730R	90M-YT003730R	TERMINAL	CINCH 6PIN AUDIO GOLD CJJ4R020Z
INPUT	JK22		90M-YT003730R	90M-YT003730R	TERMINAL	CINCH 6PIN AUDIO GOLD CJJ4R020Z
INPUT	JK23		90M-YT003730R	90M-YT003730R	TERMINAL	CINCH 6PIN AUDIO GOLD CJJ4R020Z
INPUT	JK24		90M-YT003730R	90M-YT003730R	TERMINAL	CINCH 6PIN AUDIO GOLD CJJ4R020Z
INPUT	Q201		90M-HX800010R	90M-HX800010R	CHIP TRS.	KRC102S HVTKRC102S
INPUT	Q202		90M-HX800010R	90M-HX800010R	CHIP TRS.	KRC102S HVTKRC102S
INPUT	Q203		90M-HT300970R	90M-HT300970R	TRS.	KTC2875B HVTKTC2875B
INPUT	Q204		90M-HT300970R	90M-HT300970R	TRS.	KTC2875B HVTKTC2875B
INPUT	Q205		90M-HT300970R	90M-HT300970R	TRS.	KTC2875B HVTKTC2875B
INPUT	Q206		90M-HT300970R	90M-HT300970R	TRS.	KTC2875B HVTKTC2875B
INPUT	Q207		90M-HT300970R	90M-HT300970R	TRS.	KTC2875B HVTKTC2875B
INPUT	Q208		90M-HT300970R	90M-HT300970R	TRS.	KTC2875B HVTKTC2875B
INPUT	Q209		90M-HT300970R	90M-HT300970R	TRS.	KTC2875B HVTKTC2875B
INPUT	Q210		90M-HT300970R	90M-HT300970R	TRS.	KTC2875B HVTKTC2875B
INPUT	Q211		00D2690191903	00D2690191903	CHIP TRS.	KRA104S HVTKRA104S
INPUT	Q212		00D2690193901	00D2690193901	CHIP TRS.	KRC104S CVTKRC104S
INPUT	Q213		00D2690191903	00D2690191903	CHIP TRS.	KRA104S HVTKRA104S
INPUT	Q214		00D2690193901	00D2690193901	CHIP TRS.	KRC104S CVTKRC104S
INPUT	Q215		90M-HX800010R	90M-HX800010R	CHIP TRS.	KRC102S HVTKRC102S
INPUT	Q216		90M-HX800010R	90M-HX800010R	CHIP TRS.	KRC102S HVTKRC102S
INPUT	Q217		90M-HT300970R	90M-HT300970R	TRS.	KTC2875B HVTKTC2875B
INPUT	Q218		90M-HT300970R	90M-HT300970R	TRS.	KTC2875B HVTKTC2875B
INPUT	Q219		90M-HT300970R	90M-HT300970R	TRS.	KTC2875B HVTKTC2875B
INPUT	Q220		90M-HT300970R	90M-HT300970R	TRS.	KTC2875B HVTKTC2875B
INPUT	Q221		00D2690191903	00D2690191903	CHIP TRS.	KRA104S HVTKRA104S
INPUT	Q222		00D2690193901	00D2690193901	CHIP TRS.	KRC104S CVTKRC104S
INPUT	Q223		00D2690193901	00D2690193901	CHIP TRS.	KRC104S CVTKRC104S
INPUT	R201		nsp	00MNN05101610	CHIP RES.	100 OHM 1/10W J CRJ10DJ101T
INPUT	R202		nsp	00MNN05101610	CHIP RES.	100 OHM 1/10W J CRJ10DJ101T
INPUT	R203		nsp	00MNN05101610	CHIP RES.	100 OHM 1/10W J CRJ10DJ101T
INPUT	R204		nsp	00MNN05101610	CHIP RES.	100 OHM 1/10W J CRJ10DJ101T
INPUT	R205		nsp	00MNN05101610	CHIP RES.	100 OHM 1/10W J CRJ10DJ101T
INPUT	R206		nsp	00MNN05101610	CHIP RES.	100 OHM 1/10W J CRJ10DJ101T
INPUT	R207		nsp	00MNN05102610	CHIP RES.	1K OHM 1/10W J CRJ10DJ102T
INPUT	R208		nsp	00MNN05102610	CHIP RES.	1K OHM 1/10W J CRJ10DJ102T
INPUT	R209		nsp	00MNN05101610	CHIP RES.	100 OHM 1/10W J CRJ10DJ101T
INPUT	R210		nsp	00MNN05101610	CHIP RES.	100 OHM 1/10W J CRJ10DJ101T
INPUT	R211		nsp	00MNN05102610	CHIP RES.	1K OHM 1/10W J CRJ10DJ102T
INPUT	R212		nsp	00MNN05102610	CHIP RES.	1K OHM 1/10W J CRJ10DJ102T
INPUT	R213		nsp	00MNN05101610	CHIP RES.	100 OHM 1/10W J CRJ10DJ101T
INPUT	R214		nsp	00MNN05101610	CHIP RES.	100 OHM 1/10W J CRJ10DJ101T
INPUT	R215		nsp	00MNN05102610	CHIP RES.	1K OHM 1/10W J CRJ10DJ102T
INPUT	R216		nsp	00MNN05102610	CHIP RES.	1K OHM 1/10W J CRJ10DJ102T
INPUT	R217		nsp	00MNN05101610	CHIP RES.	100 OHM 1/10W J CRJ10DJ101T
INPUT	R218		nsp	00MNN05101610	CHIP RES.	100 OHM 1/10W J CRJ10DJ101T
INPUT	R219		nsp	00MNN05102610	CHIP RES.	1K OHM 1/10W J CRJ10DJ102T
INPUT	R220		nsp	00MNN05102610	CHIP RES.	1K OHM 1/10W J CRJ10DJ102T
INPUT	R221		nsp	00MNN05102610	CHIP RES.	1K OHM 1/10W J CRJ10DJ102T
INPUT	R222		nsp	00MNN05102610	CHIP RES.	1K OHM 1/10W J CRJ10DJ102T
INPUT	R223		nsp	00MNN05102610	CHIP RES.	1K OHM 1/10W J CRJ10DJ102T
INPUT	R224		nsp	00MNN05102610	CHIP RES.	1K OHM 1/10W J CRJ10DJ102T
INPUT	R225		nsp	00MNN05832610	CHIP RES.	82K OHM 1/10W J CRJ10DJ823T
INPUT	R226		nsp	00MNN05832610	CHIP RES.	82K OHM 1/10W J CRJ10DJ823T
INPUT	R227		nsp	00MNN05832610	CHIP RES.	82K OHM 1/10W J CRJ10DJ823T
INPUT	R228		nsp	00MNN05832610	CHIP RES.	82K OHM 1/10W J CRJ10DJ823T
INPUT	R229		nsp	00MNN05832610	CHIP RES.	82K OHM 1/10W J CRJ10DJ823T
INPUT	R230		nsp	00MNN05832610	CHIP RES.	82K OHM 1/10W J CRJ10DJ823T
INPUT	R231		nsp	00MNN05473610	CHIP RES.	47K OHM 1/10W J CRJ10DJ473T
INPUT	R232		nsp	00MNN05473610	CHIP RES.	47K OHM 1/10W J CRJ10DJ473T
INPUT	R233		nsp	00MNN05832610	CHIP RES.	82K OHM 1/10W J CRJ10DJ823T
INPUT	R234		nsp	00MNN05832610	CHIP RES.	82K OHM 1/10W J CRJ10DJ823T
INPUT	R235		nsp	00MNN05473610	CHIP RES.	47K OHM 1/10W J CRJ10DJ473T

NOTE : *nsp* PART IS LISTED FOR REFERENCE ONLY, MARANTZ WILL NOT SUPPLY THESE PARTS.

P.W.B. NAME	POS. NO.	VERS. COLOR	PART NO. (FOR EUR)	PART NO. (MZ)	PART NAME	DESCRIPTION
INPUT	R236		nsp	00MNN05473610	CHIP RES.	47K OHM 1/10W J CRJ10DJ473T
INPUT	R237		nsp	00MNN05832610	CHIP RES.	82K OHM 1/10W J CRJ10DJ823T
INPUT	R238		nsp	00MNN05832610	CHIP RES.	82K OHM 1/10W J CRJ10DJ823T
INPUT	R239		nsp	00MNN05473610	CHIP RES.	47K OHM 1/10W J CRJ10DJ473T
INPUT	R240		nsp	00MNN05473610	CHIP RES.	47K OHM 1/10W J CRJ10DJ473T
INPUT	R241		nsp	00MNN05832610	CHIP RES.	82K OHM 1/10W J CRJ10DJ823T
INPUT	R242		nsp	00MNN05832610	CHIP RES.	82K OHM 1/10W J CRJ10DJ823T
INPUT	R243		nsp	00MNN05473610	CHIP RES.	47K OHM 1/10W J CRJ10DJ473T
INPUT	R244		nsp	00MNN05473610	CHIP RES.	47K OHM 1/10W J CRJ10DJ473T
INPUT	R245		nsp	00MNN05473610	CHIP RES.	47K OHM 1/10W J CRJ10DJ473T
INPUT	R246		nsp	00MNN05473610	CHIP RES.	47K OHM 1/10W J CRJ10DJ473T
INPUT	R247		nsp	00MNN05473610	CHIP RES.	47K OHM 1/10W J CRJ10DJ473T
INPUT	R248		nsp	00MNN05473610	CHIP RES.	47K OHM 1/10W J CRJ10DJ473T
INPUT	R249		nsp	00MNN05224610	CHIP RES.	220K OHM 1/10W J CRJ10DJ224T
INPUT	R250		nsp	00MNN05224610	CHIP RES.	220K OHM 1/10W J CRJ10DJ224T
INPUT	R251		nsp	00MNN05473610	CHIP RES.	47K OHM 1/10W J CRJ10DJ473T
INPUT	R252		nsp	00MNN05473610	CHIP RES.	47K OHM 1/10W J CRJ10DJ473T
INPUT	R253		nsp	00MNN05224610	CHIP RES.	220K OHM 1/10W J CRJ10DJ224T
INPUT	R254		nsp	00MNN05224610	CHIP RES.	220K OHM 1/10W J CRJ10DJ224T
INPUT	R255		nsp	00MNN05224610	CHIP RES.	220K OHM 1/10W J CRJ10DJ224T
INPUT	R256		nsp	00MNN05224610	CHIP RES.	220K OHM 1/10W J CRJ10DJ224T
INPUT	R257		nsp	00MNN05224610	CHIP RES.	220K OHM 1/10W J CRJ10DJ224T
INPUT	R258		nsp	00MNN05224610	CHIP RES.	220K OHM 1/10W J CRJ10DJ224T
INPUT	R259		nsp	00MNN05224610	CHIP RES.	220K OHM 1/10W J CRJ10DJ224T
INPUT	R260		nsp	00MNN05224610	CHIP RES.	220K OHM 1/10W J CRJ10DJ224T
INPUT	R261		nsp	00MNN05224610	CHIP RES.	220K OHM 1/10W J CRJ10DJ224T
INPUT	R262		nsp	00MNN05224610	CHIP RES.	220K OHM 1/10W J CRJ10DJ224T
INPUT	R263		nsp	00MNN05104610	CHIP RES.	100K OHM 1/10W J CRJ10DJ104T
INPUT	R264		nsp	00MNN05104610	CHIP RES.	100K OHM 1/10W J CRJ10DJ104T
INPUT	R265		nsp	00MNN05101610	CHIP RES.	100 OHM 1/10W J CRJ10DJ101T
INPUT	R266		nsp	00MNN05101610	CHIP RES.	100 OHM 1/10W J CRJ10DJ101T
INPUT	R267		nsp	00MNN05220610	CHIP RES.	22 OHM 1/10W J CRJ10DJ220T
INPUT	R268		nsp	00MNN05220610	CHIP RES.	22 OHM 1/10W J CRJ10DJ220T
INPUT	R269		nsp	00MNN05224610	CHIP RES.	220K OHM 1/10W J CRJ10DJ224T
INPUT	R270		nsp	00MNN05224610	CHIP RES.	220K OHM 1/10W J CRJ10DJ224T
INPUT	R271		nsp	00MNN05104610	CHIP RES.	100K OHM 1/10W J CRJ10DJ104T
INPUT	R272		nsp	00MNN05104610	CHIP RES.	100K OHM 1/10W J CRJ10DJ104T
INPUT	R273		nsp	00MNN05101610	CHIP RES.	100 OHM 1/10W J CRJ10DJ101T
INPUT	R274		nsp	00MNN05101610	CHIP RES.	100 OHM 1/10W J CRJ10DJ101T
INPUT	R275		nsp	00MNN05220610	CHIP RES.	22 OHM 1/10W J CRJ10DJ220T
INPUT	R276		nsp	00MNN05220610	CHIP RES.	22 OHM 1/10W J CRJ10DJ220T
INPUT	R277		nsp	00MNN05473610	CHIP RES.	47K OHM 1/10W J CRJ10DJ473T
INPUT	R278		nsp	00MNN05473610	CHIP RES.	47K OHM 1/10W J CRJ10DJ473T
INPUT	R279		nsp	00MNN05473610	CHIP RES.	47K OHM 1/10W J CRJ10DJ473T
INPUT	R280		nsp	00MNN05473610	CHIP RES.	47K OHM 1/10W J CRJ10DJ473T
INPUT	R281		nsp	00MNN05473610	CHIP RES.	47K OHM 1/10W J CRJ10DJ473T
INPUT	R282		nsp	00MNN05473610	CHIP RES.	47K OHM 1/10W J CRJ10DJ473T
INPUT	R283		nsp	00MNN05473610	CHIP RES.	47K OHM 1/10W J CRJ10DJ473T
INPUT	R284		nsp	00MNN05473610	CHIP RES.	47K OHM 1/10W J CRJ10DJ473T
INPUT	R285		nsp	00MNN05473610	CHIP RES.	47K OHM 1/10W J CRJ10DJ473T
INPUT	R286		nsp	00MNN05473610	CHIP RES.	47K OHM 1/10W J CRJ10DJ473T
INPUT	R287		nsp	00MNN05473610	CHIP RES.	47K OHM 1/10W J CRJ10DJ473T
INPUT	R288		nsp	00MNN05473610	CHIP RES.	47K OHM 1/10W J CRJ10DJ473T
INPUT	R289		nsp	00MNN05473610	CHIP RES.	47K OHM 1/10W J CRJ10DJ473T
INPUT	R290		nsp	00MNN05473610	CHIP RES.	47K OHM 1/10W J CRJ10DJ473T
INPUT	R291		nsp	00MNN05473610	CHIP RES.	47K OHM 1/10W J CRJ10DJ473T
INPUT	R292		nsp	00MNN05473610	CHIP RES.	47K OHM 1/10W J CRJ10DJ473T
INPUT	R293		nsp	00MNN05101610	CHIP RES.	100 OHM 1/10W J CRJ10DJ101T
INPUT	R294		nsp	00MNN05101610	CHIP RES.	100 OHM 1/10W J CRJ10DJ101T
INPUT	R295		nsp	00MNN05104610	CHIP RES.	100K OHM 1/10W J CRJ10DJ104T
INPUT	R296		nsp	00MNN05104610	CHIP RES.	100K OHM 1/10W J CRJ10DJ104T
INPUT	R297		nsp	00MNN05472610	CHIP RES.	4.7K OHM 1/10W J CRJ10DJ472T
INPUT	R298		nsp	00MNN05472610	CHIP RES.	4.7K OHM 1/10W J CRJ10DJ472T
INPUT	R299		nsp	00MNN05472610	CHIP RES.	4.7K OHM 1/10W J CRJ10DJ472T
INPUT	R300		nsp	00MNN05472610	CHIP RES.	4.7K OHM 1/10W J CRJ10DJ472T
INPUT	R301		nsp	00MNN05104610	CHIP RES.	100K OHM 1/10W J CRJ10DJ104T
INPUT	R302		nsp	00MNN05104610	CHIP RES.	100K OHM 1/10W J CRJ10DJ104T

NOTE : "nsp" PART IS LISTED FOR REFERENCE ONLY, MARANTZ WILL NOT SUPPLY THESE PARTS

P.W.B. NAME	POS. NO.	VERS. COLOR	PART NO. (FOR EUR)	PART NO. (MZ)	PART NAME	DESCRIPTION	
INPUT	R303		nsp	00MNN05104610	CHIP RES.	100K OHM 1/10W J	CRJ10DJ104T
INPUT	R304		nsp	00MNN05104610	CHIP RES.	100K OHM 1/10W J	CRJ10DJ104T
INPUT	R305		nsp	00MNN05472610	CHIP RES.	4.7K OHM 1/10W J	CRJ10DJ472T
INPUT	R306		nsp	00MNN05472610	CHIP RES.	4.7K OHM 1/10W J	CRJ10DJ472T
INPUT	R307		nsp	00MNN05472610	CHIP RES.	4.7K OHM 1/10W J	CRJ10DJ472T
INPUT	R308		nsp	00MNN05472610	CHIP RES.	4.7K OHM 1/10W J	CRJ10DJ472T
INPUT	R309		nsp	00MNN05104610	CHIP RES.	100K OHM 1/10W J	CRJ10DJ104T
INPUT	R310		nsp	00MNN05104610	CHIP RES.	100K OHM 1/10W J	CRJ10DJ104T
INPUT	R311		nsp	00MNN05104610	CHIP RES.	100K OHM 1/10W J	CRJ10DJ104T
INPUT	R312		nsp	00MNN05104610	CHIP RES.	100K OHM 1/10W J	CRJ10DJ104T
INPUT	R313		nsp	00MNN05472610	CHIP RES.	4.7K OHM 1/10W J	CRJ10DJ472T
INPUT	R314		nsp	00MNN05472610	CHIP RES.	4.7K OHM 1/10W J	CRJ10DJ472T
INPUT	R315		nsp	00MNN05472610	CHIP RES.	4.7K OHM 1/10W J	CRJ10DJ472T
INPUT	R316		nsp	00MNN05472610	CHIP RES.	4.7K OHM 1/10W J	CRJ10DJ472T
INPUT	R317		nsp	00MNN05104610	CHIP RES.	100K OHM 1/10W J	CRJ10DJ104T
INPUT	R318		nsp	00MNN05104610	CHIP RES.	100K OHM 1/10W J	CRJ10DJ104T
INPUT	R319		nsp	00MNN05104610	CHIP RES.	100K OHM 1/10W J	CRJ10DJ104T
INPUT	R320		nsp	00MNN05104610	CHIP RES.	100K OHM 1/10W J	CRJ10DJ104T
INPUT	R321		nsp	00MNN05472610	CHIP RES.	4.7K OHM 1/10W J	CRJ10DJ472T
INPUT	R322		nsp	00MNN05102610	CHIP RES.	1K OHM 1/10W J	CRJ10DJ102T
INPUT	R323		nsp	00MNN05472610	CHIP RES.	4.7K OHM 1/10W J	CRJ10DJ472T
INPUT	R324		nsp	00MNN05222610	CHIP RES.	2.2K OHM 1/10W J	CRJ10DJ222T
INPUT	R325		nsp	00MNN05104610	CHIP RES.	100K OHM 1/10W J	CRJ10DJ104T
INPUT	R326		nsp	00MNN05104610	CHIP RES.	100K OHM 1/10W J	CRJ10DJ104T
INPUT	R327		nsp	00MNN05104610	CHIP RES.	100K OHM 1/10W J	CRJ10DJ104T
INPUT	R328		nsp	00MNN05104610	CHIP RES.	100K OHM 1/10W J	CRJ10DJ104T
INPUT	R329		nsp	00MNN05104610	CHIP RES.	100K OHM 1/10W J	CRJ10DJ104T
INPUT	R330		nsp	00MNN05104610	CHIP RES.	100K OHM 1/10W J	CRJ10DJ104T
INPUT	R331		nsp	00MNN05101610	CHIP RES.	100 OHM 1/10W J	CRJ10DJ101T
INPUT	R332		nsp	00MNN05101610	CHIP RES.	100 OHM 1/10W J	CRJ10DJ101T
INPUT	R333		nsp	00MNN05104610	CHIP RES.	100K OHM 1/10W J	CRJ10DJ104T
INPUT	R334		nsp	00MNN05104610	CHIP RES.	100K OHM 1/10W J	CRJ10DJ104T
INPUT	R335		nsp	00MNN05102610	CHIP RES.	1K OHM 1/10W J	CRJ10DJ102T
INPUT	R336		nsp	00MNN05102610	CHIP RES.	1K OHM 1/10W J	CRJ10DJ102T
INPUT	R337		943124001550S	943124001550S	CHIP RES.	3.6K OHM 1/10W J	CRJ10DJ362T
INPUT	R338		943124001550S	943124001550S	CHIP RES.	3.6K OHM 1/10W J	CRJ10DJ362T
INPUT	R339		nsp	00MNN05473610	CHIP RES.	47K OHM 1/10W J	CRJ10DJ473T
INPUT	R340		nsp	00MNN05473610	CHIP RES.	47K OHM 1/10W J	CRJ10DJ473T
INPUT	R341		nsp	00MNN05221610	CHIP RES.	220 OHM 1/10W J	CRJ10DJ221T
INPUT	R342		nsp	00MNN05221610	CHIP RES.	220 OHM 1/10W J	CRJ10DJ221T
INPUT	R343		nsp	00MNN05104610	CHIP RES.	100K OHM 1/10W J	CRJ10DJ104T
INPUT	R344		nsp	00MNN05104610	CHIP RES.	100K OHM 1/10W J	CRJ10DJ104T
INPUT	R345		nsp	00MNN05102610	CHIP RES.	1K OHM 1/10W J	CRJ10DJ102T
INPUT	R346		nsp	00MNN05102610	CHIP RES.	1K OHM 1/10W J	CRJ10DJ102T
INPUT	R347		943124001550S	943124001550S	CHIP RES.	3.6K OHM 1/10W J	CRJ10DJ362T
INPUT	R348		943124001550S	943124001550S	CHIP RES.	3.6K OHM 1/10W J	CRJ10DJ362T
INPUT	R349		nsp	00MNN05473610	CHIP RES.	47K OHM 1/10W J	CRJ10DJ473T
INPUT	R350		nsp	00MNN05473610	CHIP RES.	47K OHM 1/10W J	CRJ10DJ473T
INPUT	R351		nsp	00MNN05221610	CHIP RES.	220 OHM 1/10W J	CRJ10DJ221T
INPUT	R352		nsp	00MNN05221610	CHIP RES.	220 OHM 1/10W J	CRJ10DJ221T
INPUT	R353		nsp	00MNN05104610	CHIP RES.	100K OHM 1/10W J	CRJ10DJ104T
INPUT	R354		nsp	00MNN05104610	CHIP RES.	100K OHM 1/10W J	CRJ10DJ104T
INPUT	R355		nsp	00MNN05102610	CHIP RES.	1K OHM 1/10W J	CRJ10DJ102T
INPUT	R356		nsp	00MNN05102610	CHIP RES.	1K OHM 1/10W J	CRJ10DJ102T
INPUT	R357		943124001550S	943124001550S	CHIP RES.	3.6K OHM 1/10W J	CRJ10DJ362T
INPUT	R358		943124001550S	943124001550S	CHIP RES.	3.6K OHM 1/10W J	CRJ10DJ362T
INPUT	R359		nsp	00MNN05473610	CHIP RES.	47K OHM 1/10W J	CRJ10DJ473T
INPUT	R360		nsp	00MNN05473610	CHIP RES.	47K OHM 1/10W J	CRJ10DJ473T
INPUT	R361		nsp	00MNN05221610	CHIP RES.	220 OHM 1/10W J	CRJ10DJ221T
INPUT	R362		nsp	00MNN05221610	CHIP RES.	220 OHM 1/10W J	CRJ10DJ221T
INPUT	R363		nsp	00MNN05104610	CHIP RES.	100K OHM 1/10W J	CRJ10DJ104T
INPUT	R364		nsp	00MNN05104610	CHIP RES.	100K OHM 1/10W J	CRJ10DJ104T
INPUT	R365		nsp	00MNN05102610	CHIP RES.	1K OHM 1/10W J	CRJ10DJ102T
INPUT	R366		nsp	00MNN05102610	CHIP RES.	1K OHM 1/10W J	CRJ10DJ102T
INPUT	R367		943124001550S	943124001550S	CHIP RES.	3.6K OHM 1/10W J	CRJ10DJ362T
INPUT	R368		nsp	00MNN05822610	CHIP RES.	8.2K OHM 1/10W J	CRJ10DJ822T
INPUT	R369		nsp	00MNN05473610	CHIP RES.	47K OHM 1/10W J	CRJ10DJ473T

NOTE : *nsp* PART IS LISTED FOR REFERENCE ONLY, MARANTZ WILL NOT SUPPLY THESE PARTS.

P.W.B. NAME	POS. NO.	VERS. COLOR	PART NO. (FOR EUR)	PART NO. (MZ)	PART NAME	DESCRIPTION	
INPUT	R370		nsp	00MNN05473610	CHIP RES.	47K OHM 1/10W J	CRJ10DJ473T
INPUT	R371		nsp	00MNN05221610	CHIP RES.	220 OHM 1/10W J	CRJ10DJ221T
INPUT	R372		nsp	00MNN05221610	CHIP RES.	220 OHM 1/10W J	CRJ10DJ221T
INPUT	R373		nsp	00MNN05104610	CHIP RES.	100K OHM 1/10W J	CRJ10DJ104T
INPUT	R374		nsp	00MNN05104610	CHIP RES.	100K OHM 1/10W J	CRJ10DJ104T
INPUT	R375		nsp	00MNN05102610	CHIP RES.	1K OHM 1/10W J	CRJ10DJ102T
INPUT	R376		nsp	00MNN05102610	CHIP RES.	1K OHM 1/10W J	CRJ10DJ102T
INPUT	R377		nsp	00MNN05822610	CHIP RES.	8.2K OHM 1/10W J	CRJ10DJ822T
INPUT	R378		nsp	00MNN05822610	CHIP RES.	8.2K OHM 1/10W J	CRJ10DJ822T
INPUT	R379		nsp	00MNN05473610	CHIP RES.	47K OHM 1/10W J	CRJ10DJ473T
INPUT	R380		nsp	00MNN05473610	CHIP RES.	47K OHM 1/10W J	CRJ10DJ473T
INPUT	R381		nsp	00MNN05221610	CHIP RES.	220 OHM 1/10W J	CRJ10DJ221T
INPUT	R382		nsp	00MNN05221610	CHIP RES.	220 OHM 1/10W J	CRJ10DJ221T
INPUT	R383		nsp	00MNN05221610	CHIP RES.	220 OHM 1/10W J	CRJ10DJ221T
INPUT	R384		nsp	00MNN05221610	CHIP RES.	220 OHM 1/10W J	CRJ10DJ221T
INPUT	R385		nsp	00MNN05330610	CHIP RES.	33 OHM 1/10W J	CRJ10DJ330T
INPUT	R386		nsp	00MNN05330610	CHIP RES.	33 OHM 1/10W J	CRJ10DJ330T
INPUT	R387		nsp	00MNN05104610	CHIP RES.	100K OHM 1/10W J	CRJ10DJ104T
INPUT	R388		nsp	00MNN05104610	CHIP RES.	100K OHM 1/10W J	CRJ10DJ104T
INPUT	R389		nsp	00MNN05102610	CHIP RES.	1K OHM 1/10W J	CRJ10DJ102T
INPUT	R390		nsp	00MNN05102610	CHIP RES.	1K OHM 1/10W J	CRJ10DJ102T
INPUT	R391		nsp	00MNN05822610	CHIP RES.	8.2K OHM 1/10W J	CRJ10DJ822T
INPUT	R392		nsp	00MNN05822610	CHIP RES.	8.2K OHM 1/10W J	CRJ10DJ822T
INPUT	R393		nsp	00MNN05473610	CHIP RES.	47K OHM 1/10W J	CRJ10DJ473T
INPUT	R394		nsp	00MNN05473610	CHIP RES.	47K OHM 1/10W J	CRJ10DJ473T
INPUT	R395		nsp	00MNN05221610	CHIP RES.	220 OHM 1/10W J	CRJ10DJ221T
INPUT	R396		nsp	00MNN05221610	CHIP RES.	220 OHM 1/10W J	CRJ10DJ221T
INPUT	R397		nsp	00MNN05221610	CHIP RES.	220 OHM 1/10W J	CRJ10DJ221T
INPUT	R398		nsp	00MNN05221610	CHIP RES.	220 OHM 1/10W J	CRJ10DJ221T
INPUT	R399		nsp	00MNN05330610	CHIP RES.	33 OHM 1/10W J	CRJ10DJ330T
INPUT	R400		nsp	00MNN05330610	CHIP RES.	33 OHM 1/10W J	CRJ10DJ330T
INPUT	R401		nsp	00MNN05105610	CHIP RES.	1M OHM 1/10W J	CRJ10DJ105T
INPUT	R402		nsp	00MNN05105610	CHIP RES.	1M OHM 1/10W J	CRJ10DJ105T
INPUT	R403		nsp	00MNN05103610	CHIP RES.	10K OHM 1/10W J	CRJ10DJ103T
INPUT	R404		nsp	00MNN05103610	CHIP RES.	10K OHM 1/10W J	CRJ10DJ103T
INPUT	R405		nsp	00MNN05103610	CHIP RES.	10K OHM 1/10W J	CRJ10DJ103T
INPUT	R406		nsp	00MNN05103610	CHIP RES.	10K OHM 1/10W J	CRJ10DJ103T
INPUT	R407		nsp	00MNN05103610	CHIP RES.	10K OHM 1/10W J	CRJ10DJ103T
INPUT	R408		nsp	00MNN05103610	CHIP RES.	10K OHM 1/10W J	CRJ10DJ103T
INPUT	R409		nsp	00MNN05103610	CHIP RES.	10K OHM 1/10W J	CRJ10DJ103T
INPUT	R410		nsp	00MNN05103610	CHIP RES.	10K OHM 1/10W J	CRJ10DJ103T
INPUT	R411		nsp	00MNN05100610	CHIP RES.	10 OHM 1/10W J	CRJ10DJ100T
INPUT	R412		nsp	00MNN05105610	CHIP RES.	1M OHM 1/10W J	CRJ10DJ105T
INPUT	R413		nsp	00MNN05104610	CHIP RES.	100K OHM 1/10W J	CRJ10DJ104T
INPUT	R414		nsp	00MNN05104610	CHIP RES.	100K OHM 1/10W J	CRJ10DJ104T
INPUT	R415		nsp	00MNN05103610	CHIP RES.	10K OHM 1/10W J	CRJ10DJ103T
INPUT	R416		nsp	00MNN05103610	CHIP RES.	10K OHM 1/10W J	CRJ10DJ103T
INPUT	R417		nsp	00MNN05332610	CHIP RES.	3.3K OHM 1/10W J	CRJ10DJ332T
INPUT	R418		nsp	00MNN05332610	CHIP RES.	3.3K OHM 1/10W J	CRJ10DJ332T
INPUT	R419		nsp	00MNN05102610	CHIP RES.	1K OHM 1/10W J	CRJ10DJ102T
INPUT	R420		nsp	00MNN05102610	CHIP RES.	1K OHM 1/10W J	CRJ10DJ102T
INPUT	R421		nsp	00MNN05473610	CHIP RES.	47K OHM 1/10W J	CRJ10DJ473T
INPUT	R422		nsp	00MNN05473610	CHIP RES.	47K OHM 1/10W J	CRJ10DJ473T
INPUT	R423		nsp	00MNN05101610	CHIP RES.	100 OHM 1/10W J	CRJ10DJ101T
INPUT	R424		nsp	00MNN05101610	CHIP RES.	100 OHM 1/10W J	CRJ10DJ101T
INPUT	R425		nsp	00MNN05330610	CHIP RES.	33 OHM 1/10W J	CRJ10DJ330T
INPUT	R426		nsp	00MNN05330610	CHIP RES.	33 OHM 1/10W J	CRJ10DJ330T
INPUT	R427		nsp	00MNN05103610	CHIP RES.	10K OHM 1/10W J	CRJ10DJ103T
INPUT	R428		nsp	00MNN05103610	CHIP RES.	10K OHM 1/10W J	CRJ10DJ103T
INPUT	R429		nsp	00MNN05103610	CHIP RES.	10K OHM 1/10W J	CRJ10DJ103T
INPUT	R430		nsp	00MNN05103610	CHIP RES.	10K OHM 1/10W J	CRJ10DJ103T
INPUT	R431		nsp	00MNN05100610	CHIP RES.	10 OHM 1/10W J	CRJ10DJ100T
INPUT	R432		nsp	00MNN05101610	CHIP RES.	100 OHM 1/10W J	CRJ10DJ101T
INPUT	R433		nsp	00MNN05101610	CHIP RES.	100 OHM 1/10W J	CRJ10DJ101T
INPUT	R434		nsp	00MNN05101610	CHIP RES.	100 OHM 1/10W J	CRJ10DJ101T
INPUT	R435		nsp	00MNN05101610	CHIP RES.	100 OHM 1/10W J	CRJ10DJ101T
INPUT	R436		nsp	00MNN05101610	CHIP RES.	100 OHM 1/10W J	CRJ10DJ101T

NOTE : "nsp" PART IS LISTED FOR REFERENCE ONLY, MARANTZ WILL NOT SUPPLY THESE PARTS

P.W.B. NAME	POS. NO.	VERS. COLOR	PART NO. (FOR EUR)	PART NO. (MZ)	PART NAME	DESCRIPTION
INPUT	R437		nsp	00MNN05101610	CHIP RES.	100 OHM 1/10W J CRJ10DJ101T
INPUT	R438		nsp	00MNN05224610	CHIP RES.	220K OHM 1/10W J CRJ10DJ224T
INPUT	R439		nsp	00MNN05224610	CHIP RES.	220K OHM 1/10W J CRJ10DJ224T
INPUT	RY21		90M-LY000430R	90M-LY000430R	RELAY	RELAY (BA1-5H) CSL1C003ZU
INPUT	RY22		90M-LY000430R	90M-LY000430R	RELAY	RELAY (BA1-5H) CSL1C003ZU
INPUT	RY23		943682000810S	943682000810S	RELAY	BC3-12H 12V 2C2P CSL4A016ZU
INPUT	RY24		943682000810S	943682000810S	RELAY	BC3-12H 12V 2C2P CSL4A016ZU
					MIC PWB (CUP12076Z)	
MIC	CN20		nsp	nsp	CONN.	5P WAFER 20017WR-05 CJP05GB46ZY
MIC	JK82		90M-YT004120R	90M-YT004120R	TERMINAL	JACK SILVER HTJ-035-18ABP HJ2D003Y
					PREOUT BOT PWB (CUP12080Z)	
PREOUT B	BN48		nsp	nsp	CORD	9P WIRE ASSY(120MM 2.0MM) CWB1A009120EN
PREOUT B	BN54		nsp	nsp	CORD	2P WIRE ASSY(150MM 2.5MM) CWB1C002150BM
PREOUT B	C701		nsp	90M-OA000230R	ELECT CAP.	22UF 25V ROA-25V220MF3#- HCEA1EROA220T
PREOUT B	C702		nsp	00MDD95101300	CER. CAP.	100PF 50V JA CCUS1H101JA
PREOUT B	C703		nsp	00MDK96104300	CER. CAP.	0.1UF 50V K CCUS1H104KC
PREOUT B	C704		nsp	00MDK96104300	CER. CAP.	0.1UF 50V K CCUS1H104KC
PREOUT B	C705		nsp	00MDD95101300	CER. CAP.	100PF 50V JA CCUS1H101JA
PREOUT B	C706		nsp	90M-OA000230R	ELECT CAP.	22UF 25V ROA-25V220MF3#- HCEA1EROA220T
PREOUT B	C707		nsp	90M-OA000230R	ELECT CAP.	22UF 25V ROA-25V220MF3#- HCEA1EROA220T
PREOUT B	C708		nsp	00MDD95471300	CER. CAP.	470PF 50V JA CCUS1H471JA
PREOUT B	C709		nsp	00MDD95471300	CER. CAP.	470PF 50V JA CCUS1H471JA
PREOUT B	C710		nsp	00MOA10605020	ELECT CAP.	10UF 50V CCEA1HH100T
PREOUT B	C711		nsp	90M-OA000230R	ELECT CAP.	22UF 25V ROA-25V220MF3#- HCEA1EROA220T
PREOUT B	C712		nsp	00MDD95101300	CER. CAP.	100PF 50V JA CCUS1H101JA
PREOUT B	C713		nsp	00MDK96104300	CER. CAP.	0.1UF 50V K CCUS1H104KC
PREOUT B	C714		nsp	00MDK96104300	CER. CAP.	0.1UF 50V K CCUS1H104KC
PREOUT B	C715		nsp	00MDD95101300	CER. CAP.	100PF 50V JA CCUS1H101JA
PREOUT B	C716		nsp	90M-OA000230R	ELECT CAP.	22UF 25V ROA-25V220MF3#- HCEA1EROA220T
PREOUT B	C717		nsp	90M-OA000230R	ELECT CAP.	22UF 25V ROA-25V220MF3#- HCEA1EROA220T
PREOUT B	C718		nsp	00MDD95471300	CER. CAP.	470PF 50V JA CCUS1H471JA
PREOUT B	C719		nsp	00MDD95471300	CER. CAP.	470PF 50V JA CCUS1H471JA
PREOUT B	C720		nsp	00MOA10605020	ELECT CAP.	10UF 50V CCEA1HH100T
PREOUT B	C721		nsp	90M-OA000230R	ELECT CAP.	22UF 25V ROA-25V220MF3#- HCEA1EROA220T
PREOUT B	C722		nsp	00MDD95101300	CER. CAP.	100PF 50V JA CCUS1H101JA
PREOUT B	C723		nsp	00MDK96104300	CER. CAP.	0.1UF 50V K CCUS1H104KC
PREOUT B	C724		nsp	00MDK96104300	CER. CAP.	0.1UF 50V K CCUS1H104KC
PREOUT B	C725		nsp	00MDD95101300	CER. CAP.	100PF 50V JA CCUS1H101JA
PREOUT B	C726		nsp	90M-OA000230R	ELECT CAP.	22UF 25V ROA-25V220MF3#- HCEA1EROA220T
PREOUT B	C727		nsp	90M-OA000230R	ELECT CAP.	22UF 25V ROA-25V220MF3#- HCEA1EROA220T
PREOUT B	C728		nsp	00MDD95471300	CER. CAP.	470PF 50V JA CCUS1H471JA
PREOUT B	C729		nsp	00MDD95471300	CER. CAP.	470PF 50V JA CCUS1H471JA
PREOUT B	C730		nsp	00MOA10605020	ELECT CAP.	10UF 50V CCEA1HH100T
PREOUT B	C731		nsp	90M-OA000230R	ELECT CAP.	22UF 25V ROA-25V220MF3#- HCEA1EROA220T
PREOUT B	C732		nsp	00MDD95101300	CER. CAP.	100PF 50V JA CCUS1H101JA
PREOUT B	C733		nsp	00MDK96104300	CER. CAP.	0.1UF 50V K CCUS1H104KC
PREOUT B	C734		nsp	00MDK96104300	CER. CAP.	0.1UF 50V K CCUS1H104KC
PREOUT B	C735		nsp	00MDD95101300	CER. CAP.	100PF 50V JA CCUS1H101JA
PREOUT B	C736		nsp	90M-OA000230R	ELECT CAP.	22UF 25V ROA-25V220MF3#- HCEA1EROA220T
PREOUT B	C737		nsp	90M-OA000230R	ELECT CAP.	22UF 25V ROA-25V220MF3#- HCEA1EROA220T
PREOUT B	C738		nsp	00MDD95471300	CER. CAP.	470PF 50V JA CCUS1H471JA
PREOUT B	C739		nsp	00MDD95471300	CER. CAP.	470PF 50V JA CCUS1H471JA
PREOUT B	C740		nsp	00MOA10605020	ELECT CAP.	10UF 50V CCEA1HH100T
PREOUT B	C741		nsp	00MDK96104300	CER. CAP.	0.1UF 50V K CCUS1H104KC
PREOUT B	C742		nsp	00MDK96104300	CER. CAP.	0.1UF 50V K CCUS1H104KC
PREOUT B	C743		nsp	90M-OA000230R	ELECT CAP.	22UF 25V ROA-25V220MF3#- HCEA1EROA220T
PREOUT B	C744		nsp	90M-OA000230R	ELECT CAP.	22UF 25V ROA-25V220MF3#- HCEA1EROA220T
PREOUT B	C745		nsp	00MOA10605020	ELECT CAP.	10UF 50V CCEA1HH100T
PREOUT B	C746		nsp	00MDK96104300	CER. CAP.	0.1UF 50V K CCUS1H104KC
PREOUT B	C747		nsp	00MDK96104300	CER. CAP.	0.1UF 50V K CCUS1H104KC
PREOUT B	C748		nsp	90M-OA000230R	ELECT CAP.	22UF 25V ROA-25V220MF3#- HCEA1EROA220T
PREOUT B	C749		nsp	90M-OA000230R	ELECT CAP.	22UF 25V ROA-25V220MF3#- HCEA1EROA220T
PREOUT B	C750		nsp	00MOA10605020	ELECT CAP.	10UF 50V CCEA1HH100T
PREOUT B	C751		nsp	90M-OA000570R	ELECT CAP.	1000UF 10V CCEA1AH102E
PREOUT B	C752		nsp	00MOA22701620	ELECT CAP.	220UF 16V CCEA1CH221T
PREOUT B	C753		nsp	90M-OA000120R	ELECT CAP.	100UF 50V HCEA1HAHS101T
PREOUT B	C754		nsp	90M-OA000120R	ELECT CAP.	100UF 50V HCEA1HAHS101T

NOTE : *nsp* PART IS LISTED FOR REFERENCE ONLY, MARANTZ WILL NOT SUPPLY THESE PARTS.

P.W.B. NAME	POS. NO.	VERS. COLOR	PART NO. (FOR EUR)	PART NO. (MZ)	PART NAME	DESCRIPTION	
PREOUT B	C755		nsp	00MOA10702520	ELECT CAP.	100UF 25V	CCEA1EH101T
PREOUT B	C756		nsp	00MOA10701620	ELECT CAP.	100UF 16V	CCEA1CH101T
PREOUT B	C757		nsp	00MOA10705020	ELECT CAP.	100UF 50V RA2-50V101MG3#8	CCEA1HRA101T
PREOUT B	C758		nsp	00MOA10705020	ELECT CAP.	100UF 50V RA2-50V101MG3#8	CCEA1HRA101T
PREOUT B	C759		nsp	00MOA10702520	ELECT CAP.	100UF 25V	CCEA1EH101T
PREOUT B	C760		nsp	00MOA22605020	ELECT CAP.	22UF 50V	CCEA1HH220T
PREOUT B	C761		nsp	00MOA22605020	ELECT CAP.	22UF 50V	CCEA1HH220T
PREOUT B	C762		nsp	00MOA22605020	ELECT CAP.	22UF 50V	CCEA1HH220T
PREOUT B	C763		nsp	00MOA22605020	ELECT CAP.	22UF 50V	CCEA1HH220T
PREOUT B	C765		nsp	00MDD95471300	CER. CAP.	470PF 50V JA	CCUS1H471JA
PREOUT B	C766		nsp	00MDD95471300	CER. CAP.	470PF 50V JA	CCUS1H471JA
PREOUT B	C767		nsp	00MDD95471300	CER. CAP.	470PF 50V JA	CCUS1H471JA
PREOUT B	C768		nsp	00MDD95471300	CER. CAP.	470PF 50V JA	CCUS1H471JA
PREOUT B	C769		nsp	00MDD95471300	CER. CAP.	470PF 50V JA	CCUS1H471JA
PREOUT B	C770		nsp	00MDD95471300	CER. CAP.	470PF 50V JA	CCUS1H471JA
PREOUT B	C771		nsp	00MDD95471300	CER. CAP.	470PF 50V JA	CCUS1H471JA
PREOUT B	C772		nsp	00MDD95471300	CER. CAP.	470PF 50V JA	CCUS1H471JA
PREOUT B	C773		nsp	00MDD95471300	CER. CAP.	470PF 50V JA	CCUS1H471JA
PREOUT B	C774		nsp	00MDD95471300	CER. CAP.	470PF 50V JA	CCUS1H471JA
PREOUT B	C775		nsp	00MDD95471300	CER. CAP.	470PF 50V JA	CCUS1H471JA
PREOUT B	C776		nsp	00MDD95471300	CER. CAP.	470PF 50V JA	CCUS1H471JA
PREOUT B	CN49		nsp	nsp	CONN.	5P STRAIGHT 20017WS-05	CJP05GA19ZY
PREOUT B	CN70		nsp	nsp	CONN.	11P WAFER STRAIGHT 20017WS-11	CJP11GA19ZY
PREOUT B	CN88		nsp	nsp	CONN.	9P STRAIGHT 00906-0030	CJP09GA19ZY
PREOUT B	D701		00MHZ21303210	00MHZ21303210	DIODE	1SS355	CVD1SS355T
PREOUT B	D702		00MHZ21303210	00MHZ21303210	DIODE	1SS355	CVD1SS355T
PREOUT B	D703		00MHZ21303210	00MHZ21303210	DIODE	1SS355	CVD1SS355T
PREOUT B	D704		00MHZ21303210	00MHZ21303210	DIODE	1SS355	CVD1SS355T
PREOUT B	D705		00MHZ21303210	00MHZ21303210	DIODE	1SS355	CVD1SS355T
PREOUT B	D706		00MHZ21303210	00MHZ21303210	DIODE	1SS355	CVD1SS355T
PREOUT B	D707		00MHZ21303210	00MHZ21303210	DIODE	1SS355	CVD1SS355T
PREOUT B	D708		00MHZ21303210	00MHZ21303210	DIODE	1SS355	CVD1SS355T
PREOUT B	D709		00MHZ21303210	00MHZ21303210	DIODE	1SS355	CVD1SS355T
PREOUT B	D710		00MHZ21303210	00MHZ21303210	DIODE	1SS355	CVD1SS355T
PREOUT B	D711		00MHZ21303210	00MHZ21303210	DIODE	1SS355	CVD1SS355T
PREOUT B	D712		00MHZ21303210	00MHZ21303210	DIODE	1SS355	CVD1SS355T
PREOUT B	D713		00MHZ21303210	00MHZ21303210	DIODE	1SS355	CVD1SS355T
PREOUT B	ET71		nsp	nsp	TERMINAL	EARTH PLATE	CNE75
PREOUT B	ET72		nsp	nsp	TERMINAL	EARTH PLATE	CNE75
PREOUT B	IC71		00MHC10102090	00MHC10102090	IC	NJM2068MD-TE1	HVINJM2068MDTE1
PREOUT B	IC72		00MHC10102090	00MHC10102090	IC	NJM2068MD-TE1	HVINJM2068MDTE1
PREOUT B	IC73		00MHC10102090	00MHC10102090	IC	NJM2068MD-TE1	HVINJM2068MDTE1
PREOUT B	IC74		00MHC10102090	00MHC10102090	IC	NJM2068MD-TE1	HVINJM2068MDTE1
PREOUT B	IC75		00MHC10102090	00MHC10102090	IC	NJM2068MD-TE1	HVINJM2068MDTE1
PREOUT B	IC76		00MHC10102090	00MHC10102090	IC	NJM2068MD-TE1	HVINJM2068MDTE1
PREOUT B	J701		nsp	nsp	CORD	SN95/PB5 0.6	C3A206
PREOUT B	J702		nsp	nsp	CORD	SN95/PB5 0.6	C3A206
PREOUT B	J703		nsp	nsp	CORD	SN95/PB5 0.6	C3A206
PREOUT B	J704		nsp	nsp	CORD	SN95/PB5 0.6	C3A206
PREOUT B	J705		nsp	nsp	CORD	SN95/PB5 0.6	C3A206
PREOUT B	J706		nsp	nsp	CORD	SN95/PB5 0.6	C3A206
PREOUT B	J707		nsp	nsp	CORD	SN95/PB5 0.6	C3A206
PREOUT B	J708		nsp	nsp	CORD	SN95/PB5 0.6	C3A206
PREOUT B	J709		nsp	nsp	CORD	SN95/PB5 0.6	C3A206
PREOUT B	J710		nsp	nsp	CORD	SN95/PB5 0.6	C3A206
PREOUT B	J711		nsp	nsp	CORD	SN95/PB5 0.6	C3A206
PREOUT B	J712		nsp	nsp	CORD	SN95/PB5 0.6	C3A206
PREOUT B	J713		nsp	nsp	CORD	SN95/PB5 0.6	C3A206
PREOUT B	J714		nsp	nsp	CORD	SN95/PB5 0.6	C3A206
PREOUT B	J715		nsp	nsp	CORD	SN95/PB5 0.6	C3A206
PREOUT B	J716		nsp	nsp	CORD	SN95/PB5 0.6	C3A206
PREOUT B	J717		nsp	nsp	CORD	SN95/PB5 0.6	C3A206
PREOUT B	J718		nsp	nsp	CORD	SN95/PB5 0.6	C3A206
PREOUT B	J719		nsp	nsp	CORD	SN95/PB5 0.6	C3A206
PREOUT B	J720		nsp	nsp	CORD	SN95/PB5 0.6	C3A206
PREOUT B	J721		nsp	nsp	CORD	SN95/PB5 0.6	C3A206
PREOUT B	J722		nsp	nsp	CORD	SN95/PB5 0.6	C3A206

NOTE : "nsp" PART IS LISTED FOR REFERENCE ONLY, MARANTZ WILL NOT SUPPLY THESE PARTS

P.W.B. NAME	POS. NO.	VERS. COLOR	PART NO. (FOR EUR)	PART NO. (MZ)	PART NAME	DESCRIPTION	
PREOUT B	J723		nsp	nsp	CORD	SN95/PB5 0.6	C3A206
PREOUT B	J724		nsp	nsp	CORD	SN95/PB5 0.6	C3A206
PREOUT B	J725		nsp	nsp	CORD	SN95/PB5 0.6	C3A206
PREOUT B	J726		nsp	nsp	CORD	SN95/PB5 0.6	C3A206
PREOUT B	J727		nsp	nsp	CORD	SN95/PB5 0.6	C3A206
PREOUT B	J728		nsp	nsp	CORD	SN95/PB5 0.6	C3A206
PREOUT B	J729		nsp	nsp	CORD	SN95/PB5 0.6	C3A206
PREOUT B	J730		nsp	nsp	CORD	SN95/PB5 0.6	C3A206
PREOUT B	J731		nsp	nsp	CORD	SN95/PB5 0.6	C3A206
PREOUT B	J732		nsp	nsp	CORD	SN95/PB5 0.6	C3A206
PREOUT B	J733		nsp	nsp	CORD	SN95/PB5 0.6	C3A206
PREOUT B	J734		nsp	nsp	CORD	SN95/PB5 0.6	C3A206
PREOUT B	J735		nsp	nsp	CORD	SN95/PB5 0.6	C3A206
PREOUT B	J736		nsp	nsp	CORD	SN95/PB5 0.6	C3A206
PREOUT B	J737		nsp	nsp	CORD	SN95/PB5 0.6	C3A206
PREOUT B	J738		nsp	nsp	CORD	SN95/PB5 0.6	C3A206
PREOUT B	J739		nsp	nsp	CORD	SN95/PB5 0.6	C3A206
PREOUT B	J740		nsp	nsp	CORD	SN95/PB5 0.6	C3A206
PREOUT B	J741		nsp	nsp	CORD	SN95/PB5 0.6	C3A206
PREOUT B	J742		nsp	nsp	CORD	SN95/PB5 0.6	C3A206
PREOUT B	J743		nsp	nsp	CORD	SN95/PB5 0.6	C3A206
PREOUT B	J744		nsp	nsp	CORD	SN95/PB5 0.6	C3A206
PREOUT B	J745		nsp	nsp	CORD	SN95/PB5 0.6	C3A206
PREOUT B	J746		nsp	nsp	CORD	SN95/PB5 0.6	C3A206
PREOUT B	J747		nsp	nsp	CORD	SN95/PB5 0.6	C3A206
PREOUT B	J748		nsp	nsp	CORD	SN95/PB5 0.6	C3A206
PREOUT B	J749		nsp	nsp	CORD	SN95/PB5 0.6	C3A206
PREOUT B	J750		nsp	nsp	CORD	SN95/PB5 0.6	C3A206
PREOUT B	J751		nsp	nsp	CORD	SN95/PB5 0.6	C3A206
PREOUT B	J752		nsp	nsp	CORD	SN95/PB5 0.6	C3A206
PREOUT B	J753		nsp	nsp	CORD	SN95/PB5 0.6	C3A206
PREOUT B	J754		nsp	nsp	CORD	SN95/PB5 0.6	C3A206
PREOUT B	J756		nsp	nsp	CORD	SN95/PB5 0.6	C3A206
PREOUT B	J757		nsp	nsp	CORD	SN95/PB5 0.6	C3A206
PREOUT B	J758		nsp	nsp	CORD	SN95/PB5 0.6	C3A206
PREOUT B	J759		nsp	nsp	CORD	SN95/PB5 0.6	C3A206
PREOUT B	J760		nsp	nsp	CORD	SN95/PB5 0.6	C3A206
PREOUT B	J761		nsp	nsp	CORD	SN95/PB5 0.6	C3A206
PREOUT B	J762		nsp	nsp	CORD	SN95/PB5 0.6	C3A206
PREOUT B	J763		nsp	nsp	CORD	SN95/PB5 0.6	C3A206
PREOUT B	J764		nsp	nsp	CORD	SN95/PB5 0.6	C3A206
PREOUT B	J765		nsp	nsp	CORD	SN95/PB5 0.6	C3A206
PREOUT B	J767		nsp	nsp	CORD	SN95/PB5 0.6	C3A206
PREOUT B	J768		nsp	nsp	CORD	SN95/PB5 0.6	C3A206
PREOUT B	J769		nsp	nsp	CORD	SN95/PB5 0.6	C3A206
PREOUT B	J770		nsp	nsp	CORD	SN95/PB5 0.6	C3A206
PREOUT B	J771		nsp	nsp	CORD	SN95/PB5 0.6	C3A206
PREOUT B	J772		nsp	nsp	CORD	SN95/PB5 0.6	C3A206
PREOUT B	J773		nsp	nsp	CORD	SN95/PB5 0.6	C3A206
PREOUT B	J774		nsp	nsp	CORD	SN95/PB5 0.6	C3A206
PREOUT B	J775		nsp	nsp	CORD	SN95/PB5 0.6	C3A206
PREOUT B	J776		nsp	nsp	CORD	SN95/PB5 0.6	C3A206
PREOUT B	J777		nsp	nsp	CORD	SN95/PB5 0.6	C3A206
PREOUT B	J778		nsp	nsp	CORD	SN95/PB5 0.6	C3A206
PREOUT B	J779		nsp	nsp	CORD	SN95/PB5 0.6	C3A206
PREOUT B	J780		nsp	nsp	CORD	SN95/PB5 0.6	C3A206
PREOUT B	J781		nsp	nsp	CORD	SN95/PB5 0.6	C3A206
PREOUT B	J782		nsp	nsp	CORD	SN95/PB5 0.6	C3A206
PREOUT B	J783		nsp	nsp	CORD	SN95/PB5 0.6	C3A206
PREOUT B	J784		nsp	nsp	CORD	SN95/PB5 0.6	C3A206
PREOUT B	J786		nsp	nsp	CORD	SN95/PB5 0.6	C3A206
PREOUT B	J787		nsp	nsp	CORD	SN95/PB5 0.6	C3A206
PREOUT B	J788		nsp	nsp	CORD	SN95/PB5 0.6	C3A206
PREOUT B	J789		nsp	nsp	CORD	SN95/PB5 0.6	C3A206
PREOUT B	JK71		90M-YT003720R	90M-YT003720R	TERMINAL	GOLD PLATE	CJJ4P047Z
PREOUT B	JK72		943646001450S	943646001450S	TERMINAL	E703A0800N XLR OUT	CJS6S004Z
PREOUT B	JK73		943646001450S	943646001450S	TERMINAL	E703A0800N XLR OUT	CJS6S004Z

NOTE : *nsp* PART IS LISTED FOR REFERENCE ONLY, MARANTZ WILL NOT SUPPLY THESE PARTS.

P.W.B. NAME	POS. NO.	VERS. COLOR	PART NO. (FOR EUR)	PART NO. (MZ)	PART NAME	DESCRIPTION
PREOUT B	JK74		943646001450S	943646001450S	TERMINAL	E703A0800N XLR OUT CJS6S004Z
PREOUT B	JK75		943646001450S	943646001450S	TERMINAL	E703A0800N XLR OUT CJS6S004Z
PREOUT B	Q701		90M-HT300970R	90M-HT300970R	TRS.	KTC2875B HVTKTC2875B
PREOUT B	Q702		90M-HT300970R	90M-HT300970R	TRS.	KTC2875B HVTKTC2875B
PREOUT B	Q703		90M-HT300970R	90M-HT300970R	TRS.	KTC2875B HVTKTC2875B
PREOUT B	Q704		90M-HT300970R	90M-HT300970R	TRS.	KTC2875B HVTKTC2875B
PREOUT B	Q705		90M-HX800010R	90M-HX800010R	CHIP TRS.	KRC102S HVTKRC102S
PREOUT B	Q706		90M-HT300970R	90M-HT300970R	TRS.	KTC2875B HVTKTC2875B
PREOUT B	Q707		90M-HT300970R	90M-HT300970R	TRS.	KTC2875B HVTKTC2875B
PREOUT B	Q708		90M-HT300970R	90M-HT300970R	TRS.	KTC2875B HVTKTC2875B
PREOUT B	Q709		90M-HT300970R	90M-HT300970R	TRS.	KTC2875B HVTKTC2875B
PREOUT B	Q710		90M-HT300970R	90M-HT300970R	TRS.	KTC2875B HVTKTC2875B
PREOUT B	Q711		90M-HT300970R	90M-HT300970R	TRS.	KTC2875B HVTKTC2875B
PREOUT B	Q712		90M-HT300970R	90M-HT300970R	TRS.	KTC2875B HVTKTC2875B
PREOUT B	Q713		90M-HT300970R	90M-HT300970R	TRS.	KTC2875B HVTKTC2875B
PREOUT B	Q714		90M-HX800010R	90M-HX800010R	CHIP TRS.	KRC102S HVTKRC102S
PREOUT B	Q715		90M-HT300970R	90M-HT300970R	TRS.	KTC2875B HVTKTC2875B
PREOUT B	Q716		90M-HT300970R	90M-HT300970R	TRS.	KTC2875B HVTKTC2875B
PREOUT B	Q717		90M-HT300970R	90M-HT300970R	TRS.	KTC2875B HVTKTC2875B
PREOUT B	Q718		90M-HT300970R	90M-HT300970R	TRS.	KTC2875B HVTKTC2875B
PREOUT B	Q719		90M-HT300970R	90M-HT300970R	TRS.	KTC2875B HVTKTC2875B
PREOUT B	Q720		90M-HT300970R	90M-HT300970R	TRS.	KTC2875B HVTKTC2875B
PREOUT B	Q721		90M-HT300970R	90M-HT300970R	TRS.	KTC2875B HVTKTC2875B
PREOUT B	Q722		90M-HT300970R	90M-HT300970R	TRS.	KTC2875B HVTKTC2875B
PREOUT B	Q723		90M-HX800010R	90M-HX800010R	CHIP TRS.	KRC102S HVTKRC102S
PREOUT B	Q724		90M-HT300970R	90M-HT300970R	TRS.	KTC2875B HVTKTC2875B
PREOUT B	Q725		90M-HT300970R	90M-HT300970R	TRS.	KTC2875B HVTKTC2875B
PREOUT B	Q726		90M-HT300970R	90M-HT300970R	TRS.	KTC2875B HVTKTC2875B
PREOUT B	Q727		90M-HT300970R	90M-HT300970R	TRS.	KTC2875B HVTKTC2875B
PREOUT B	Q728		90M-HX800010R	90M-HX800010R	CHIP TRS.	KRC102S HVTKRC102S
PREOUT B	Q729		00D2690193901	00D2690193901	CHIP TRS.	KRC104S CVTKRC104S
PREOUT B	Q730		00D2690193901	00D2690193901	CHIP TRS.	KRC104S CVTKRC104S
PREOUT B	Q731		00D2690193901	00D2690193901	CHIP TRS.	KRC104S CVTKRC104S
PREOUT B	Q732		00D2690193901	00D2690193901	CHIP TRS.	KRC104S CVTKRC104S
PREOUT B	Q733		00D2690193901	00D2690193901	CHIP TRS.	KRC104S CVTKRC104S
PREOUT B	Q734		00D2690191903	00D2690191903	CHIP TRS.	KRA104S HVTKRA104S
PREOUT B	Q735		00D2690191903	00D2690191903	CHIP TRS.	KRA104S HVTKRA104S
PREOUT B	Q736		00D2690191903	00D2690191903	CHIP TRS.	KRA104S HVTKRA104S
PREOUT B	Q737		00D2690191903	00D2690191903	CHIP TRS.	KRA104S HVTKRA104S
PREOUT B	Q738		00D2690191903	00D2690191903	CHIP TRS.	KRA104S HVTKRA104S
PREOUT B	Q739		00D2690191903	00D2690191903	CHIP TRS.	KRA104S HVTKRA104S
PREOUT B	Q740		00D2690193901	00D2690193901	CHIP TRS.	KRC104S CVTKRC104S
PREOUT B	R701		nsp	00MNN05473610	CHIP RES.	47K OHM 1/10W J CRJ10DJ473T
PREOUT B	R702		nsp	00MNN05103610	CHIP RES.	10K OHM 1/10W J CRJ10DJ103T
PREOUT B	R703		nsp	00MNN05103610	CHIP RES.	10K OHM 1/10W J CRJ10DJ103T
PREOUT B	R704		nsp	00MNN05103610	CHIP RES.	10K OHM 1/10W J CRJ10DJ103T
PREOUT B	R705		nsp	00MNN05103610	CHIP RES.	10K OHM 1/10W J CRJ10DJ103T
PREOUT B	R706		nsp	00MNN05473610	CHIP RES.	47K OHM 1/10W J CRJ10DJ473T
PREOUT B	R707		nsp	00MNN05473610	CHIP RES.	47K OHM 1/10W J CRJ10DJ473T
PREOUT B	R708		nsp	00MNN05101610	CHIP RES.	100 OHM 1/10W J CRJ10DJ101T
PREOUT B	R709		nsp	00MNN05101610	CHIP RES.	100 OHM 1/10W J CRJ10DJ101T
PREOUT B	R710		nsp	00MNN05101610	CHIP RES.	100 OHM 1/10W J CRJ10DJ101T
PREOUT B	R711		nsp	00MNN05101610	CHIP RES.	100 OHM 1/10W J CRJ10DJ101T
PREOUT B	R712		nsp	00MNN05330610	CHIP RES.	33 OHM 1/10W J CRJ10DJ330T
PREOUT B	R713		nsp	00MNN05330610	CHIP RES.	33 OHM 1/10W J CRJ10DJ330T
PREOUT B	R714		nsp	00MNN05105610	CHIP RES.	1M OHM 1/10W J CRJ10DJ105T
PREOUT B	R715		nsp	00MNN05103610	CHIP RES.	10K OHM 1/10W J CRJ10DJ103T
PREOUT B	R716		nsp	00MNN05103610	CHIP RES.	10K OHM 1/10W J CRJ10DJ103T
PREOUT B	R717		nsp	00MNN05103610	CHIP RES.	10K OHM 1/10W J CRJ10DJ103T
PREOUT B	R718		nsp	00MNN05103610	CHIP RES.	10K OHM 1/10W J CRJ10DJ103T
PREOUT B	R719		nsp	00MNN05100610	CHIP RES.	10 OHM 1/10W J CRJ10DJ100T
PREOUT B	R720		nsp	00MNN05473610	CHIP RES.	47K OHM 1/10W J CRJ10DJ473T
PREOUT B	R721		nsp	00MNN05103610	CHIP RES.	10K OHM 1/10W J CRJ10DJ103T
PREOUT B	R722		nsp	00MNN05103610	CHIP RES.	10K OHM 1/10W J CRJ10DJ103T
PREOUT B	R723		nsp	00MNN05103610	CHIP RES.	10K OHM 1/10W J CRJ10DJ103T
PREOUT B	R724		nsp	00MNN05103610	CHIP RES.	10K OHM 1/10W J CRJ10DJ103T
PREOUT B	R725		nsp	00MNN05473610	CHIP RES.	47K OHM 1/10W J CRJ10DJ473T

NOTE : "nsp" PART IS LISTED FOR REFERENCE ONLY, MARANTZ WILL NOT SUPPLY THESE PARTS

P.W.B. NAME	POS. NO.	VERS. COLOR	PART NO. (FOR EUR)	PART NO. (MZ)	PART NAME	DESCRIPTION	
PREOUT B	R793		nsp	00MNN05221610	CHIP RES.	220 OHM 1/10W J	CRJ10DJ221T
PREOUT B	R794		nsp	00MNN05221610	CHIP RES.	220 OHM 1/10W J	CRJ10DJ221T
PREOUT B	R795		nsp	00MNN05221610	CHIP RES.	220 OHM 1/10W J	CRJ10DJ221T
PREOUT B	R796		nsp	00MNN05221610	CHIP RES.	220 OHM 1/10W J	CRJ10DJ221T
PREOUT B	R797		nsp	00MNN05330610	CHIP RES.	33 OHM 1/10W J	CRJ10DJ330T
PREOUT B	R798		nsp	00MNN05330610	CHIP RES.	33 OHM 1/10W J	CRJ10DJ330T
PREOUT B	R799		nsp	00MNN05105610	CHIP RES.	1M OHM 1/10W J	CRJ10DJ105T
PREOUT B	R800		nsp	00MNN05105610	CHIP RES.	1M OHM 1/10W J	CRJ10DJ105T
PREOUT B	R801		nsp	00MNN05103610	CHIP RES.	10K OHM 1/10W J	CRJ10DJ103T
PREOUT B	R802		nsp	00MNN05103610	CHIP RES.	10K OHM 1/10W J	CRJ10DJ103T
PREOUT B	R803		nsp	00MNN05103610	CHIP RES.	10K OHM 1/10W J	CRJ10DJ103T
PREOUT B	R804		nsp	00MNN05103610	CHIP RES.	10K OHM 1/10W J	CRJ10DJ103T
PREOUT B	R805		nsp	00MNN05100610	CHIP RES.	10 OHM 1/10W J	CRJ10DJ100T
PREOUT B	R807		nsp	00MNN05473610	CHIP RES.	47K OHM 1/10W J	CRJ10DJ473T
PREOUT B	R808		nsp	00MNN05473610	CHIP RES.	47K OHM 1/10W J	CRJ10DJ473T
PREOUT B	R811		nsp	00MNN05473610	CHIP RES.	47K OHM 1/10W J	CRJ10DJ473T
PREOUT B	R812		nsp	00MNN05473610	CHIP RES.	47K OHM 1/10W J	CRJ10DJ473T
PREOUT B	RY71		943682000810S	943682000810S	RELAY	BC3-12H 12V 2C2P	CSL4A016ZU
PREOUT B	RY72		943682000810S	943682000810S	RELAY	BC3-12H 12V 2C2P	CSL4A016ZU
PREOUT B	RY73		943682000810S	943682000810S	RELAY	BC3-12H 12V 2C2P	CSL4A016ZU
PREOUT B	RY74		943682000810S	943682000810S	RELAY	BC3-12H 12V 2C2P	CSL4A016ZU
PREOUT B	RY75		943682000810S	943682000810S	RELAY	BC3-12H 12V 2C2P	CSL4A016ZU
PREOUT B	RY76		943682000810S	943682000810S	RELAY	BC3-12H 12V 2C2P	CSL4A016ZU
					PREOUT TOP PWB (CUP12080Z)		
PREOUT T	C501		nsp	90M-OA000230R	ELECT CAP.	22UF 25V ROA-25V220MF3#-	HCEA1EROA220T
PREOUT T	C502		nsp	00MDD95101300	CER. CAP.	100PF 50V JA	CCUS1H101JA
PREOUT T	C503		nsp	00MDK96104300	CER. CAP.	0.1UF 50V K	CCUS1H104KC
PREOUT T	C504		nsp	00MDK96104300	CER. CAP.	0.1UF 50V K	CCUS1H104KC
PREOUT T	C505		nsp	00MDD95101300	CER. CAP.	100PF 50V JA	CCUS1H101JA
PREOUT T	C506		nsp	90M-OA000230R	ELECT CAP.	22UF 25V ROA-25V220MF3#-	HCEA1EROA220T
PREOUT T	C507		nsp	90M-OA000230R	ELECT CAP.	22UF 25V ROA-25V220MF3#-	HCEA1EROA220T
PREOUT T	C508		nsp	00MDD95471300	CER. CAP.	470PF 50V JA	CCUS1H471JA
PREOUT T	C509		nsp	00MDD95471300	CER. CAP.	470PF 50V JA	CCUS1H471JA
PREOUT T	C510		nsp	00MOA10605020	ELECT CAP.	10UF 50V	CCEA1HH100T
PREOUT T	C511		nsp	00MOA10605020	ELECT CAP.	10UF 50V	CCEA1HH100T
PREOUT T	C512		nsp	90M-OA000230R	ELECT CAP.	22UF 25V ROA-25V220MF3#-	HCEA1EROA220T
PREOUT T	C513		nsp	00MDD95101300	CER. CAP.	100PF 50V JA	CCUS1H101JA
PREOUT T	C514		nsp	00MDK96104300	CER. CAP.	0.1UF 50V K	CCUS1H104KC
PREOUT T	C515		nsp	00MDK96104300	CER. CAP.	0.1UF 50V K	CCUS1H104KC
PREOUT T	C516		nsp	00MDD95101300	CER. CAP.	100PF 50V JA	CCUS1H101JA
PREOUT T	C517		nsp	90M-OA000230R	ELECT CAP.	22UF 25V ROA-25V220MF3#-	HCEA1EROA220T
PREOUT T	C518		nsp	90M-OA000230R	ELECT CAP.	22UF 25V ROA-25V220MF3#-	HCEA1EROA220T
PREOUT T	C519		nsp	00MDD95471300	CER. CAP.	470PF 50V JA	CCUS1H471JA
PREOUT T	C520		nsp	00MDD95471300	CER. CAP.	470PF 50V JA	CCUS1H471JA
PREOUT T	C521		nsp	00MOA10605020	ELECT CAP.	10UF 50V	CCEA1HH100T
PREOUT T	C522		nsp	00MOA10605020	ELECT CAP.	10UF 50V	CCEA1HH100T
PREOUT T	C523		nsp	90M-OA000230R	ELECT CAP.	22UF 25V ROA-25V220MF3#-	HCEA1EROA220T
PREOUT T	C524		nsp	00MDD95101300	CER. CAP.	100PF 50V JA	CCUS1H101JA
PREOUT T	C525		nsp	00MDK96104300	CER. CAP.	0.1UF 50V K	CCUS1H104KC
PREOUT T	C526		nsp	00MDK96104300	CER. CAP.	0.1UF 50V K	CCUS1H104KC
PREOUT T	C527		nsp	00MDD95101300	CER. CAP.	100PF 50V JA	CCUS1H101JA
PREOUT T	C528		nsp	90M-OA000230R	ELECT CAP.	22UF 25V ROA-25V220MF3#-	HCEA1EROA220T
PREOUT T	C529		nsp	90M-OA000230R	ELECT CAP.	22UF 25V ROA-25V220MF3#-	HCEA1EROA220T
PREOUT T	C530		nsp	00MDD95471300	CER. CAP.	470PF 50V JA	CCUS1H471JA
PREOUT T	C531		nsp	00MDD95471300	CER. CAP.	470PF 50V JA	CCUS1H471JA
PREOUT T	C532		nsp	00MOA10605020	ELECT CAP.	10UF 50V	CCEA1HH100T
PREOUT T	C533		nsp	90M-OA000230R	ELECT CAP.	22UF 25V ROA-25V220MF3#-	HCEA1EROA220T
PREOUT T	C534		nsp	00MDD95101300	CER. CAP.	100PF 50V JA	CCUS1H101JA
PREOUT T	C535		nsp	00MDK96104300	CER. CAP.	0.1UF 50V K	CCUS1H104KC
PREOUT T	C536		nsp	00MDK96104300	CER. CAP.	0.1UF 50V K	CCUS1H104KC
PREOUT T	C537		nsp	00MDD95101300	CER. CAP.	100PF 50V JA	CCUS1H101JA
PREOUT T	C538		nsp	90M-OA000230R	ELECT CAP.	22UF 25V ROA-25V220MF3#-	HCEA1EROA220T
PREOUT T	C539		nsp	90M-OA000230R	ELECT CAP.	22UF 25V ROA-25V220MF3#-	HCEA1EROA220T
PREOUT T	C540		nsp	00MDD95471300	CER. CAP.	470PF 50V JA	CCUS1H471JA
PREOUT T	C541		nsp	00MDD95471300	CER. CAP.	470PF 50V JA	CCUS1H471JA
PREOUT T	C542		nsp	00MOA10605020	ELECT CAP.	10UF 50V	CCEA1HH100T
PREOUT T	C543		nsp	00MDK96104300	CER. CAP.	0.1UF 50V K	CCUS1H104KC

NOTE : "nsp" PART IS LISTED FOR REFERENCE ONLY, MARANTZ WILL NOT SUPPLY THESE PARTS

P.W.B. NAME	POS. NO.	VERS. COLOR	PART NO. (FOR EUR)	PART NO. (MZ)	PART NAME	DESCRIPTION
PREOUT T	C544		nsp	00MDK96104300	CER. CAP.	0.1UF 50V K CCUS1H104KC
PREOUT T	C545		nsp	90M-OA000230R	ELECT CAP.	22UF 25V ROA-25V220MF3#- HCEA1EROA220T
PREOUT T	C546		nsp	90M-OA000230R	ELECT CAP.	22UF 25V ROA-25V220MF3#- HCEA1EROA220T
PREOUT T	C547		nsp	00MOA10605020	ELECT CAP.	10UF 50V CCEA1HH100T
PREOUT T	C548		nsp	00MOA10605020	ELECT CAP.	10UF 50V CCEA1HH100T
PREOUT T	C549		nsp	00MDK96104300	CER. CAP.	0.1UF 50V K CCUS1H104KC
PREOUT T	C550		nsp	00MDK96104300	CER. CAP.	0.1UF 50V K CCUS1H104KC
PREOUT T	C551		nsp	90M-OA000230R	ELECT CAP.	22UF 25V ROA-25V220MF3#- HCEA1EROA220T
PREOUT T	C552		nsp	90M-OA000230R	ELECT CAP.	22UF 25V ROA-25V220MF3#- HCEA1EROA220T
PREOUT T	C553		nsp	00MOA10605020	ELECT CAP.	10UF 50V CCEA1HH100T
PREOUT T	C554		nsp	00MOA10705020	ELECT CAP.	100UF 50V RA2-50V101MG3#8 CCEA1HRA101T
PREOUT T	C555		nsp	00MOA10705020	ELECT CAP.	100UF 50V RA2-50V101MG3#8 CCEA1HRA101T
PREOUT T	C556		nsp	00MOA10702520	ELECT CAP.	100UF 25V CCEA1EH101T
PREOUT T	C557		nsp	00MOA22605020	ELECT CAP.	22UF 50V CCEA1HH220T
PREOUT T	C558		nsp	00MOA22605020	ELECT CAP.	22UF 50V CCEA1HH220T
PREOUT T	C559		nsp	00MOA22605020	ELECT CAP.	22UF 50V CCEA1HH220T
PREOUT T	C560		nsp	00MOA22605020	ELECT CAP.	22UF 50V CCEA1HH220T
PREOUT T	C565		nsp	00MDD95471300	CER. CAP.	470PF 50V JA CCUS1H471JA
PREOUT T	C566		nsp	00MDD95471300	CER. CAP.	470PF 50V JA CCUS1H471JA
PREOUT T	C567		nsp	00MDD95471300	CER. CAP.	470PF 50V JA CCUS1H471JA
PREOUT T	C568		nsp	00MDD95471300	CER. CAP.	470PF 50V JA CCUS1H471JA
PREOUT T	C569		nsp	00MDD95471300	CER. CAP.	470PF 50V JA CCUS1H471JA
PREOUT T	C570		nsp	00MDD95471300	CER. CAP.	470PF 50V JA CCUS1H471JA
PREOUT T	C571		nsp	00MDD95471300	CER. CAP.	470PF 50V JA CCUS1H471JA
PREOUT T	C572		nsp	00MDD95471300	CER. CAP.	470PF 50V JA CCUS1H471JA
PREOUT T	C573		nsp	00MDD95471300	CER. CAP.	470PF 50V JA CCUS1H471JA
PREOUT T	C574		nsp	00MDD95471300	CER. CAP.	470PF 50V JA CCUS1H471JA
PREOUT T	C575		nsp	00MDD95471300	CER. CAP.	470PF 50V JA CCUS1H471JA
PREOUT T	C576		nsp	00MDD95471300	CER. CAP.	470PF 50V JA CCUS1H471JA
PREOUT T	CN48		nsp	nsp	CONN.	9P STRAIGHT 00906-0030 CJP09GA19ZY
PREOUT T	CN87		nsp	nsp	CONN.	9P STRAIGHT 00906-0030 CJP09GA19ZY
PREOUT T	D501		00MHZ21303210	00MHZ21303210	DIODE	1SS355 CVD1SS355T
PREOUT T	D502		00MHZ21303210	00MHZ21303210	DIODE	1SS355 CVD1SS355T
PREOUT T	D503		00MHZ21303210	00MHZ21303210	DIODE	1SS355 CVD1SS355T
PREOUT T	D504		00MHZ21303210	00MHZ21303210	DIODE	1SS355 CVD1SS355T
PREOUT T	D505		00MHZ21303210	00MHZ21303210	DIODE	1SS355 CVD1SS355T
PREOUT T	D506		00MHZ21303210	00MHZ21303210	DIODE	1SS355 CVD1SS355T
PREOUT T	D507		00MHZ21303210	00MHZ21303210	DIODE	1SS355 CVD1SS355T
PREOUT T	D508		00MHZ21303210	00MHZ21303210	DIODE	1SS355 CVD1SS355T
PREOUT T	D509		00MHZ21303210	00MHZ21303210	DIODE	1SS355 CVD1SS355T
PREOUT T	ET51		nsp	nsp	TERMINAL	EARTH PLATE CNE75
PREOUT T	ET52		nsp	nsp	TERMINAL	EARTH PLATE CNE75
PREOUT T	IC51		00MHC10102090	00MHC10102090	IC	NJM2068MD-TE1 HVINJM2068MDTE1
PREOUT T	IC52		00MHC10102090	00MHC10102090	IC	NJM2068MD-TE1 HVINJM2068MDTE1
PREOUT T	IC53		00MHC10102090	00MHC10102090	IC	NJM2068MD-TE1 HVINJM2068MDTE1
PREOUT T	IC54		00MHC10102090	00MHC10102090	IC	NJM2068MD-TE1 HVINJM2068MDTE1
PREOUT T	IC55		00MHC10102090	00MHC10102090	IC	NJM2068MD-TE1 HVINJM2068MDTE1
PREOUT T	IC56		00MHC10102090	00MHC10102090	IC	NJM2068MD-TE1 HVINJM2068MDTE1
PREOUT T	J501		nsp	nsp	CORD	SN95/PB5 0.6 C3A206
PREOUT T	J502		nsp	nsp	CORD	SN95/PB5 0.6 C3A206
PREOUT T	J503		nsp	nsp	CORD	SN95/PB5 0.6 C3A206
PREOUT T	J504		nsp	nsp	CORD	SN95/PB5 0.6 C3A206
PREOUT T	J505		nsp	nsp	CORD	SN95/PB5 0.6 C3A206
PREOUT T	J506		nsp	nsp	CORD	SN95/PB5 0.6 C3A206
PREOUT T	J508		nsp	nsp	CORD	SN95/PB5 0.6 C3A206
PREOUT T	J509		nsp	nsp	CORD	SN95/PB5 0.6 C3A206
PREOUT T	J510		nsp	nsp	CORD	SN95/PB5 0.6 C3A206
PREOUT T	J511		nsp	nsp	CORD	SN95/PB5 0.6 C3A206
PREOUT T	J512		nsp	nsp	CORD	SN95/PB5 0.6 C3A206
PREOUT T	J513		nsp	nsp	CORD	SN95/PB5 0.6 C3A206
PREOUT T	J514		nsp	nsp	CORD	SN95/PB5 0.6 C3A206
PREOUT T	J515		nsp	nsp	CORD	SN95/PB5 0.6 C3A206
PREOUT T	J516		nsp	nsp	CORD	SN95/PB5 0.6 C3A206
PREOUT T	J517		nsp	nsp	CORD	SN95/PB5 0.6 C3A206
PREOUT T	J518		nsp	nsp	CORD	SN95/PB5 0.6 C3A206
PREOUT T	J519		nsp	nsp	CORD	SN95/PB5 0.6 C3A206
PREOUT T	J520		nsp	nsp	CORD	SN95/PB5 0.6 C3A206

NOTE : *nsp* PART IS LISTED FOR REFERENCE ONLY, MARANTZ WILL NOT SUPPLY THESE PARTS.

P.W.B. NAME	POS. NO.	VERS. COLOR	PART NO. (FOR EUR)	PART NO. (MZ)	PART NAME	DESCRIPTION
PREOUT T	J521		nsp	nsp	CORD	SN95/PB5 0.6 C3A206
PREOUT T	J522		nsp	nsp	CORD	SN95/PB5 0.6 C3A206
PREOUT T	J523		nsp	nsp	CORD	SN95/PB5 0.6 C3A206
PREOUT T	J525		nsp	nsp	CORD	SN95/PB5 0.6 C3A206
PREOUT T	J526		nsp	nsp	CORD	SN95/PB5 0.6 C3A206
PREOUT T	J527		nsp	nsp	CORD	SN95/PB5 0.6 C3A206
PREOUT T	J528		nsp	nsp	CORD	SN95/PB5 0.6 C3A206
PREOUT T	J529		nsp	nsp	CORD	SN95/PB5 0.6 C3A206
PREOUT T	J530		nsp	nsp	CORD	SN95/PB5 0.6 C3A206
PREOUT T	J531		nsp	nsp	CORD	SN95/PB5 0.6 C3A206
PREOUT T	J532		nsp	nsp	CORD	SN95/PB5 0.6 C3A206
PREOUT T	J533		nsp	nsp	CORD	SN95/PB5 0.6 C3A206
PREOUT T	J534		nsp	nsp	CORD	SN95/PB5 0.6 C3A206
PREOUT T	J535		nsp	nsp	CORD	SN95/PB5 0.6 C3A206
PREOUT T	J536		nsp	nsp	CORD	SN95/PB5 0.6 C3A206
PREOUT T	J537		nsp	nsp	CORD	SN95/PB5 0.6 C3A206
PREOUT T	J538		nsp	nsp	CORD	SN95/PB5 0.6 C3A206
PREOUT T	J539		nsp	nsp	CORD	SN95/PB5 0.6 C3A206
PREOUT T	J540		nsp	nsp	CORD	SN95/PB5 0.6 C3A206
PREOUT T	J541		nsp	nsp	CORD	SN95/PB5 0.6 C3A206
PREOUT T	J542		nsp	nsp	CORD	SN95/PB5 0.6 C3A206
PREOUT T	J543		nsp	nsp	CORD	SN95/PB5 0.6 C3A206
PREOUT T	J544		nsp	nsp	CORD	SN95/PB5 0.6 C3A206
PREOUT T	J545		nsp	nsp	CORD	SN95/PB5 0.6 C3A206
PREOUT T	J546		nsp	nsp	CORD	SN95/PB5 0.6 C3A206
PREOUT T	J547		nsp	nsp	CORD	SN95/PB5 0.6 C3A206
PREOUT T	J549		nsp	nsp	CORD	SN95/PB5 0.6 C3A206
PREOUT T	J550		nsp	nsp	CORD	SN95/PB5 0.6 C3A206
PREOUT T	J551		nsp	nsp	CORD	SN95/PB5 0.6 C3A206
PREOUT T	J552		nsp	nsp	CORD	SN95/PB5 0.6 C3A206
PREOUT T	J553		nsp	nsp	CORD	SN95/PB5 0.6 C3A206
PREOUT T	J554		nsp	nsp	CORD	SN95/PB5 0.6 C3A206
PREOUT T	J556		nsp	nsp	CORD	SN95/PB5 0.6 C3A206
PREOUT T	J557		nsp	nsp	CORD	SN95/PB5 0.6 C3A206
PREOUT T	J558		nsp	nsp	CORD	SN95/PB5 0.6 C3A206
PREOUT T	J559		nsp	nsp	CORD	SN95/PB5 0.6 C3A206
PREOUT T	J560		nsp	nsp	CORD	SN95/PB5 0.6 C3A206
PREOUT T	J561		nsp	nsp	CORD	SN95/PB5 0.6 C3A206
PREOUT T	J562		nsp	nsp	CORD	SN95/PB5 0.6 C3A206
PREOUT T	J563		nsp	nsp	CORD	SN95/PB5 0.6 C3A206
PREOUT T	J564		nsp	nsp	CORD	SN95/PB5 0.6 C3A206
PREOUT T	J565		nsp	nsp	CORD	SN95/PB5 0.6 C3A206
PREOUT T	J567		nsp	nsp	CORD	SN95/PB5 0.6 C3A206
PREOUT T	J568		nsp	nsp	CORD	SN95/PB5 0.6 C3A206
PREOUT T	J569		nsp	nsp	CORD	SN95/PB5 0.6 C3A206
PREOUT T	J570		nsp	nsp	CORD	SN95/PB5 0.6 C3A206
PREOUT T	J571		nsp	nsp	CORD	SN95/PB5 0.6 C3A206
PREOUT T	J572		nsp	nsp	CORD	SN95/PB5 0.6 C3A206
PREOUT T	J573		nsp	nsp	CORD	SN95/PB5 0.6 C3A206
PREOUT T	J574		nsp	nsp	CORD	SN95/PB5 0.6 C3A206
PREOUT T	J575		nsp	nsp	CORD	SN95/PB5 0.6 C3A206
PREOUT T	J576		nsp	nsp	CORD	SN95/PB5 0.6 C3A206
PREOUT T	J577		nsp	nsp	CORD	SN95/PB5 0.6 C3A206
PREOUT T	J578		nsp	nsp	CORD	SN95/PB5 0.6 C3A206
PREOUT T	J579		nsp	nsp	CORD	SN95/PB5 0.6 C3A206
PREOUT T	J580		nsp	nsp	CORD	SN95/PB5 0.6 C3A206
PREOUT T	JK51		90M-YT003720R	90M-YT003720R	TERMINAL	GOLD PLATE CUJ4P047Z
PREOUT T	JK52		943646001450S	943646001450S	TERMINAL	E703A0800N XLR OUT CJS6S004Z
PREOUT T	JK53		943646001450S	943646001450S	TERMINAL	E703A0800N XLR OUT CJS6S004Z
PREOUT T	JK54		943646001450S	943646001450S	TERMINAL	E703A0800N XLR OUT CJS6S004Z
PREOUT T	JK55		943646001450S	943646001450S	TERMINAL	E703A0800N XLR OUT CJS6S004Z
PREOUT T	Q501		90M-HT300970R	90M-HT300970R	TRS.	KTC2875B HVTKTC2875B
PREOUT T	Q502		90M-HT300970R	90M-HT300970R	TRS.	KTC2875B HVTKTC2875B
PREOUT T	Q503		90M-HT300970R	90M-HT300970R	TRS.	KTC2875B HVTKTC2875B
PREOUT T	Q504		90M-HT300970R	90M-HT300970R	TRS.	KTC2875B HVTKTC2875B
PREOUT T	Q505		90M-HX800010R	90M-HX800010R	CHIP TRS.	KRC102S HVTKRC102S
PREOUT T	Q506		90M-HX800010R	90M-HX800010R	CHIP TRS.	KRC102S HVTKRC102S

NOTE : "nsp" PART IS LISTED FOR REFERENCE ONLY, MARANTZ WILL NOT SUPPLY THESE PARTS

P.W.B. NAME	POS. NO.	VERS. COLOR	PART NO. (FOR EUR)	PART NO. (MZ)	PART NAME	DESCRIPTION
PREOUT T	Q507		90M-HT300970R	90M-HT300970R	TRS.	KTC2875B HVTKTC2875B
PREOUT T	Q508		90M-HT300970R	90M-HT300970R	TRS.	KTC2875B HVTKTC2875B
PREOUT T	Q509		90M-HT300970R	90M-HT300970R	TRS.	KTC2875B HVTKTC2875B
PREOUT T	Q510		90M-HT300970R	90M-HT300970R	TRS.	KTC2875B HVTKTC2875B
PREOUT T	Q511		90M-HT300970R	90M-HT300970R	TRS.	KTC2875B HVTKTC2875B
PREOUT T	Q512		90M-HT300970R	90M-HT300970R	TRS.	KTC2875B HVTKTC2875B
PREOUT T	Q513		90M-HT300970R	90M-HT300970R	TRS.	KTC2875B HVTKTC2875B
PREOUT T	Q514		90M-HT300970R	90M-HT300970R	TRS.	KTC2875B HVTKTC2875B
PREOUT T	Q515		90M-HX800010R	90M-HX800010R	CHIP TRS.	KRC102S HVTKRC102S
PREOUT T	Q516		90M-HT300970R	90M-HT300970R	TRS.	KTC2875B HVTKTC2875B
PREOUT T	Q517		90M-HT300970R	90M-HT300970R	TRS.	KTC2875B HVTKTC2875B
PREOUT T	Q518		90M-HT300970R	90M-HT300970R	TRS.	KTC2875B HVTKTC2875B
PREOUT T	Q519		90M-HT300970R	90M-HT300970R	TRS.	KTC2875B HVTKTC2875B
PREOUT T	Q520		90M-HT300970R	90M-HT300970R	TRS.	KTC2875B HVTKTC2875B
PREOUT T	Q521		90M-HT300970R	90M-HT300970R	TRS.	KTC2875B HVTKTC2875B
PREOUT T	Q522		90M-HT300970R	90M-HT300970R	TRS.	KTC2875B HVTKTC2875B
PREOUT T	Q523		90M-HT300970R	90M-HT300970R	TRS.	KTC2875B HVTKTC2875B
PREOUT T	Q524		90M-HX800010R	90M-HX800010R	CHIP TRS.	KRC102S HVTKRC102S
PREOUT T	Q525		90M-HX800010R	90M-HX800010R	CHIP TRS.	KRC102S HVTKRC102S
PREOUT T	Q526		90M-HT300970R	90M-HT300970R	TRS.	KTC2875B HVTKTC2875B
PREOUT T	Q527		90M-HT300970R	90M-HT300970R	TRS.	KTC2875B HVTKTC2875B
PREOUT T	Q528		90M-HT300970R	90M-HT300970R	TRS.	KTC2875B HVTKTC2875B
PREOUT T	Q529		90M-HT300970R	90M-HT300970R	TRS.	KTC2875B HVTKTC2875B
PREOUT T	Q530		90M-HX800010R	90M-HX800010R	CHIP TRS.	KRC102S HVTKRC102S
PREOUT T	R501		nsp	00MNN05473610	CHIP RES.	47K OHM 1/10W J CRJ10DJ473T
PREOUT T	R502		nsp	00MNN05103610	CHIP RES.	10K OHM 1/10W J CRJ10DJ103T
PREOUT T	R503		nsp	00MNN05103610	CHIP RES.	10K OHM 1/10W J CRJ10DJ103T
PREOUT T	R504		nsp	00MNN05103610	CHIP RES.	10K OHM 1/10W J CRJ10DJ103T
PREOUT T	R505		nsp	00MNN05103610	CHIP RES.	10K OHM 1/10W J CRJ10DJ103T
PREOUT T	R506		nsp	00MNN05473610	CHIP RES.	47K OHM 1/10W J CRJ10DJ473T
PREOUT T	R507		nsp	00MNN05473610	CHIP RES.	47K OHM 1/10W J CRJ10DJ473T
PREOUT T	R508		nsp	00MNN05100610	CHIP RES.	10 OHM 1/10W J CRJ10DJ100T
PREOUT T	R509		nsp	00MNN05101610	CHIP RES.	100 OHM 1/10W J CRJ10DJ101T
PREOUT T	R510		nsp	00MNN05101610	CHIP RES.	100 OHM 1/10W J CRJ10DJ101T
PREOUT T	R511		nsp	00MNN05101610	CHIP RES.	100 OHM 1/10W J CRJ10DJ101T
PREOUT T	R512		nsp	00MNN05330610	CHIP RES.	33 OHM 1/10W J CRJ10DJ330T
PREOUT T	R513		nsp	00MNN05330610	CHIP RES.	33 OHM 1/10W J CRJ10DJ330T
PREOUT T	R514		nsp	00MNN05105610	CHIP RES.	1M OHM 1/10W J CRJ10DJ105T
PREOUT T	R515		nsp	00MNN05103610	CHIP RES.	10K OHM 1/10W J CRJ10DJ103T
PREOUT T	R516		nsp	00MNN05103610	CHIP RES.	10K OHM 1/10W J CRJ10DJ103T
PREOUT T	R517		nsp	00MNN05103610	CHIP RES.	10K OHM 1/10W J CRJ10DJ103T
PREOUT T	R518		nsp	00MNN05103610	CHIP RES.	10K OHM 1/10W J CRJ10DJ103T
PREOUT T	R519		nsp	00MNN05100610	CHIP RES.	10 OHM 1/10W J CRJ10DJ100T
PREOUT T	R520		nsp	00MNN05100610	CHIP RES.	10 OHM 1/10W J CRJ10DJ100T
PREOUT T	R521		nsp	00MNN05473610	CHIP RES.	47K OHM 1/10W J CRJ10DJ473T
PREOUT T	R522		nsp	00MNN05103610	CHIP RES.	10K OHM 1/10W J CRJ10DJ103T
PREOUT T	R523		nsp	00MNN05103610	CHIP RES.	10K OHM 1/10W J CRJ10DJ103T
PREOUT T	R524		nsp	00MNN05103610	CHIP RES.	10K OHM 1/10W J CRJ10DJ103T
PREOUT T	R525		nsp	00MNN05103610	CHIP RES.	10K OHM 1/10W J CRJ10DJ103T
PREOUT T	R526		nsp	00MNN05473610	CHIP RES.	47K OHM 1/10W J CRJ10DJ473T
PREOUT T	R527		nsp	00MNN05473610	CHIP RES.	47K OHM 1/10W J CRJ10DJ473T
PREOUT T	R528		nsp	00MNN05101610	CHIP RES.	100 OHM 1/10W J CRJ10DJ101T
PREOUT T	R529		nsp	00MNN05101610	CHIP RES.	100 OHM 1/10W J CRJ10DJ101T
PREOUT T	R530		nsp	00MNN05101610	CHIP RES.	100 OHM 1/10W J CRJ10DJ101T
PREOUT T	R531		nsp	00MNN05101610	CHIP RES.	100 OHM 1/10W J CRJ10DJ101T
PREOUT T	R532		nsp	00MNN05330610	CHIP RES.	33 OHM 1/10W J CRJ10DJ330T
PREOUT T	R533		nsp	00MNN05330610	CHIP RES.	33 OHM 1/10W J CRJ10DJ330T
PREOUT T	R534		nsp	00MNN05105610	CHIP RES.	1M OHM 1/10W J CRJ10DJ105T
PREOUT T	R535		nsp	00MNN05103610	CHIP RES.	10K OHM 1/10W J CRJ10DJ103T
PREOUT T	R536		nsp	00MNN05103610	CHIP RES.	10K OHM 1/10W J CRJ10DJ103T
PREOUT T	R537		nsp	00MNN05103610	CHIP RES.	10K OHM 1/10W J CRJ10DJ103T
PREOUT T	R538		nsp	00MNN05103610	CHIP RES.	10K OHM 1/10W J CRJ10DJ103T
PREOUT T	R539		nsp	00MNN05100610	CHIP RES.	10 OHM 1/10W J CRJ10DJ100T
PREOUT T	R540		nsp	00MNN05100610	CHIP RES.	10 OHM 1/10W J CRJ10DJ100T
PREOUT T	R541		nsp	00MNN05473610	CHIP RES.	47K OHM 1/10W J CRJ10DJ473T
PREOUT T	R542		nsp	00MNN05103610	CHIP RES.	10K OHM 1/10W J CRJ10DJ103T
PREOUT T	R543		nsp	00MNN05103610	CHIP RES.	10K OHM 1/10W J CRJ10DJ103T




NOTE : *nsp* PART IS LISTED FOR REFERENCE ONLY, MARANTZ WILL NOT SUPPLY THESE PARTS.

P.W.B. NAME	POS. NO.	VERS. COLOR	PART NO. (FOR EUR)	PART NO. (MZ)	PART NAME	DESCRIPTION
PREOUT T	R544		nsp	00MNN05103610	CHIP RES.	10K OHM 1/10W J CRJ10DJ103T
PREOUT T	R545		nsp	00MNN05103610	CHIP RES.	10K OHM 1/10W J CRJ10DJ103T
PREOUT T	R546		nsp	00MNN05473610	CHIP RES.	47K OHM 1/10W J CRJ10DJ473T
PREOUT T	R547		nsp	00MNN05473610	CHIP RES.	47K OHM 1/10W J CRJ10DJ473T
PREOUT T	R548		nsp	00MNN05101610	CHIP RES.	100 OHM 1/10W J CRJ10DJ101T
PREOUT T	R549		nsp	00MNN05101610	CHIP RES.	100 OHM 1/10W J CRJ10DJ101T
PREOUT T	R550		nsp	00MNN05101610	CHIP RES.	100 OHM 1/10W J CRJ10DJ101T
PREOUT T	R551		nsp	00MNN05101610	CHIP RES.	100 OHM 1/10W J CRJ10DJ101T
PREOUT T	R552		nsp	00MNN05330610	CHIP RES.	33 OHM 1/10W J CRJ10DJ330T
PREOUT T	R553		nsp	00MNN05330610	CHIP RES.	33 OHM 1/10W J CRJ10DJ330T
PREOUT T	R554		nsp	00MNN05105610	CHIP RES.	1M OHM 1/10W J CRJ10DJ105T
PREOUT T	R555		nsp	00MNN05103610	CHIP RES.	10K OHM 1/10W J CRJ10DJ103T
PREOUT T	R556		nsp	00MNN05103610	CHIP RES.	10K OHM 1/10W J CRJ10DJ103T
PREOUT T	R557		nsp	00MNN05103610	CHIP RES.	10K OHM 1/10W J CRJ10DJ103T
PREOUT T	R558		nsp	00MNN05103610	CHIP RES.	10K OHM 1/10W J CRJ10DJ103T
PREOUT T	R559		nsp	00MNN05100610	CHIP RES.	10 OHM 1/10W J CRJ10DJ100T
PREOUT T	R560		nsp	00MNN05473610	CHIP RES.	47K OHM 1/10W J CRJ10DJ473T
PREOUT T	R561		nsp	00MNN05103610	CHIP RES.	10K OHM 1/10W J CRJ10DJ103T
PREOUT T	R562		nsp	00MNN05103610	CHIP RES.	10K OHM 1/10W J CRJ10DJ103T
PREOUT T	R563		nsp	00MNN05103610	CHIP RES.	10K OHM 1/10W J CRJ10DJ103T
PREOUT T	R564		nsp	00MNN05103610	CHIP RES.	10K OHM 1/10W J CRJ10DJ103T
PREOUT T	R565		nsp	00MNN05473610	CHIP RES.	47K OHM 1/10W J CRJ10DJ473T
PREOUT T	R566		nsp	00MNN05473610	CHIP RES.	47K OHM 1/10W J CRJ10DJ473T
PREOUT T	R567		nsp	00MNN05101610	CHIP RES.	100 OHM 1/10W J CRJ10DJ101T
PREOUT T	R568		nsp	00MNN05101610	CHIP RES.	100 OHM 1/10W J CRJ10DJ101T
PREOUT T	R569		nsp	00MNN05101610	CHIP RES.	100 OHM 1/10W J CRJ10DJ101T
PREOUT T	R570		nsp	00MNN05101610	CHIP RES.	100 OHM 1/10W J CRJ10DJ101T
PREOUT T	R571		nsp	00MNN05330610	CHIP RES.	33 OHM 1/10W J CRJ10DJ330T
PREOUT T	R572		nsp	00MNN05330610	CHIP RES.	33 OHM 1/10W J CRJ10DJ330T
PREOUT T	R573		nsp	00MNN05105610	CHIP RES.	1M OHM 1/10W J CRJ10DJ105T
PREOUT T	R574		nsp	00MNN05103610	CHIP RES.	10K OHM 1/10W J CRJ10DJ103T
PREOUT T	R575		nsp	00MNN05103610	CHIP RES.	10K OHM 1/10W J CRJ10DJ103T
PREOUT T	R576		nsp	00MNN05103610	CHIP RES.	10K OHM 1/10W J CRJ10DJ103T
PREOUT T	R577		nsp	00MNN05103610	CHIP RES.	10K OHM 1/10W J CRJ10DJ103T
PREOUT T	R578		nsp	00MNN05100610	CHIP RES.	10 OHM 1/10W J CRJ10DJ100T
PREOUT T	R579		nsp	00MNN05473610	CHIP RES.	47K OHM 1/10W J CRJ10DJ473T
PREOUT T	R580		nsp	00MNN05473610	CHIP RES.	47K OHM 1/10W J CRJ10DJ473T
PREOUT T	R581		nsp	00MNN05221610	CHIP RES.	220 OHM 1/10W J CRJ10DJ221T
PREOUT T	R582		nsp	00MNN05221610	CHIP RES.	220 OHM 1/10W J CRJ10DJ221T
PREOUT T	R583		nsp	00MNN05221610	CHIP RES.	220 OHM 1/10W J CRJ10DJ221T
PREOUT T	R584		nsp	00MNN05221610	CHIP RES.	220 OHM 1/10W J CRJ10DJ221T
PREOUT T	R585		nsp	00MNN05330610	CHIP RES.	33 OHM 1/10W J CRJ10DJ330T
PREOUT T	R586		nsp	00MNN05330610	CHIP RES.	33 OHM 1/10W J CRJ10DJ330T
PREOUT T	R587		nsp	00MNN05105610	CHIP RES.	1M OHM 1/10W J CRJ10DJ105T
PREOUT T	R588		nsp	00MNN05103610	CHIP RES.	10K OHM 1/10W J CRJ10DJ103T
PREOUT T	R589		nsp	00MNN05103610	CHIP RES.	10K OHM 1/10W J CRJ10DJ103T
PREOUT T	R590		nsp	00MNN05103610	CHIP RES.	10K OHM 1/10W J CRJ10DJ103T
PREOUT T	R591		nsp	00MNN05103610	CHIP RES.	10K OHM 1/10W J CRJ10DJ103T
PREOUT T	R592		nsp	00MNN05100610	CHIP RES.	10 OHM 1/10W J CRJ10DJ100T
PREOUT T	R593		nsp	00MNN05100610	CHIP RES.	10 OHM 1/10W J CRJ10DJ100T
PREOUT T	R594		nsp	00MNN05473610	CHIP RES.	47K OHM 1/10W J CRJ10DJ473T
PREOUT T	R595		nsp	00MNN05473610	CHIP RES.	47K OHM 1/10W J CRJ10DJ473T
PREOUT T	R596		nsp	00MNN05221610	CHIP RES.	220 OHM 1/10W J CRJ10DJ221T
PREOUT T	R597		nsp	00MNN05221610	CHIP RES.	220 OHM 1/10W J CRJ10DJ221T
PREOUT T	R598		nsp	00MNN05221610	CHIP RES.	220 OHM 1/10W J CRJ10DJ221T
PREOUT T	R599		nsp	00MNN05221610	CHIP RES.	220 OHM 1/10W J CRJ10DJ221T
PREOUT T	R600		nsp	00MNN05330610	CHIP RES.	33 OHM 1/10W J CRJ10DJ330T
PREOUT T	R601		nsp	00MNN05330610	CHIP RES.	33 OHM 1/10W J CRJ10DJ330T
PREOUT T	R602		nsp	00MNN05105610	CHIP RES.	1M OHM 1/10W J CRJ10DJ105T
PREOUT T	R603		nsp	00MNN05103610	CHIP RES.	10K OHM 1/10W J CRJ10DJ103T
PREOUT T	R604		nsp	00MNN05103610	CHIP RES.	10K OHM 1/10W J CRJ10DJ103T
PREOUT T	R605		nsp	00MNN05103610	CHIP RES.	10K OHM 1/10W J CRJ10DJ103T
PREOUT T	R606		nsp	00MNN05103610	CHIP RES.	10K OHM 1/10W J CRJ10DJ103T
PREOUT T	R607		nsp	00MNN05100610	CHIP RES.	10 OHM 1/10W J CRJ10DJ100T
PREOUT T	R611		nsp	00MNN05473610	CHIP RES.	47K OHM 1/10W J CRJ10DJ473T
PREOUT T	R612		nsp	00MNN05473610	CHIP RES.	47K OHM 1/10W J CRJ10DJ473T
PREOUT T	R614		nsp	00MNN05473610	CHIP RES.	47K OHM 1/10W J CRJ10DJ473T

NOTE : "nsp" PART IS LISTED FOR REFERENCE ONLY, MARANTZ WILL NOT SUPPLY THESE PARTS

P.W.B. NAME	POS. NO.	VERS. COLOR	PART NO. (FOR EUR)	PART NO. (MZ)	PART NAME	DESCRIPTION
PREOUT T	R615		nsp	00MNN05473610	CHIP RES.	47K OHM 1/10W J
PREOUT T	RY51		943682000810S	943682000810S	RELAY	BC3-12H 12V 2C2P
PREOUT T	RY52		943682000810S	943682000810S	RELAY	BC3-12H 12V 2C2P
PREOUT T	RY53		943682000810S	943682000810S	RELAY	BC3-12H 12V 2C2P
PREOUT T	RY54		943682000810S	943682000810S	RELAY	BC3-12H 12V 2C2P
PREOUT T	RY55		943682000810S	943682000810S	RELAY	BC3-12H 12V 2C2P
PREOUT T	RY56		943682000810S	943682000810S	RELAY	BC3-12H 12V 2C2P
PREOUT T	RY57		943682000810S	943682000810S	RELAY	BC3-12H 12V 2C2P
PREOUT T	RY58		943682000810S	943682000810S	RELAY	BC3-12H 12V 2C2P
PREOUT T	RY59		943682000810S	943682000810S	RELAY	BC3-12H 12V 2C2P
					PUSH SW PWB (CUP12076Z)	
PUSH SW	▲ C877	/N1B	90M-DK100800R	90M-DK100800R	CER. CAP.	1DKS471ME
PUSH SW	CN88	/N1B	nsp	nsp	CONN.	2P WAFER
PUSH SW	▲ SW97	/N1B	90M-SP001250R	90M-SP001250R	SW	1JPP1197CSA64
					REGULATOR PWB (CUP12078Z)	
REG.	BN43		nsp	nsp	CORD	9P WIRE ASSY(180MM 2.5MM)
REG.	BN49		nsp	nsp	CORD	5P WIRE ASSY(500MM 2.0MM)
REG.	BN53		nsp	nsp	CORD	3P WIRE ASSY(400MM 2.5MM)
REG.	C901		nsp	943134001370S	ELECT CAP.	3300UF 35V RA2-35V332MK8#
REG.	C902		nsp	943134001370S	ELECT CAP.	3300UF 35V RA2-35V332MK8#
REG.	C903		nsp	943134001370S	ELECT CAP.	3300UF 35V RA2-35V332MK8#
REG.	C904		00MEA10901670	00MEA10901670	ELECT CAP.	10000UF 16V
REG.	C905		00MEA10901670	00MEA10901670	ELECT CAP.	10000UF 16V
REG.	C906		nsp	00MOA10702520	ELECT CAP.	100UF 25V
REG.	C907		nsp	00MOA47802520	ELECT CAP.	4700UF 25V
REG.	C908		nsp	nsp	FILM CAP.	0.1UF 50V ZF
REG.	C909		nsp	nsp	FILM CAP.	0.1UF 50V ZF
REG.	C910		nsp	00MOA10702520	ELECT CAP.	100UF 25V
REG.	C911		nsp	nsp	CER. CAP.	0.01UF 50V Z
REG.	C912		nsp	nsp	CER. CAP.	0.01UF 50V Z
REG.	C913		nsp	nsp	CER. CAP.	0.01UF 50V Z
REG.	C914		nsp	00MOA10705020	ELECT CAP.	100UF 50V RA2-50V101MG3#8
REG.	C915		nsp	nsp	CER. CAP.	0.01UF 50V Z
REG.	C916		nsp	nsp	CER. CAP.	0.01UF 50V Z
REG.	C917		nsp	nsp	CER. CAP.	0.01UF 50V Z
REG.	C918		nsp	00MOA10705020	ELECT CAP.	100UF 50V RA2-50V101MG3#8
REG.	C919		nsp	00MOA10702520	ELECT CAP.	100UF 25V
REG.	C920		nsp	nsp	CER. CAP.	0.01UF 50V Z
REG.	C921		nsp	nsp	CER. CAP.	0.01UF 50V Z
REG.	C922		nsp	00MOA10702520	ELECT CAP.	100UF 25V
REG.	C923		nsp	00MOA10710020	ELECT CAP.	100UF 100V
REG.	C924		nsp	nsp	CER. CAP.	0.01UF 50V Z
REG.	C925		nsp	00MOA47605020	ELECT CAP.	47UF 50V
REG.	C926		nsp	00MOA47605020	ELECT CAP.	47UF 50V
REG.	C927		nsp	nsp	CER. CAP.	0.01UF 50V Z
REG.	C928		nsp	nsp	FILM CAP.	0.1UF 50V ZF
REG.	C929		nsp	nsp	FILM CAP.	0.1UF 50V ZF
REG.	C930		nsp	nsp	FILM CAP.	0.1UF 50V ZF
REG.	C931		nsp	nsp	FILM CAP.	0.1UF 50V ZF
REG.	C932		nsp	00MOA10702520	ELECT CAP.	100UF 25V
REG.	C933		nsp	00MOA47602520	ELECT CAP.	47UF 25V
REG.	C934		nsp	nsp	CER. CAP.	1000PF 50V KB
REG.	C935		943133001380S	943133001380S	FILM CAP.	0.047UF 100V
REG.	C936		943133001380S	943133001380S	FILM CAP.	0.047UF 100V
REG.	CN44		00MYP04000760	00MYP04000760	CONN.	7.92MM(YUNHO)
REG.	CN45		nsp	nsp	CONN.	9P WAFER YMW025-09R
REG.	CN46		nsp	nsp	CONN.	5P WAFER YMW025-05R 00906-0014
REG.	CN47		nsp	nsp	CONN.	3P STRAIGHT YMW025-03R
REG.	CN50		nsp	nsp	CONN.	9P WAFER YMW025-09R
REG.	CN66		nsp	nsp	CONN.	3P STRAIGHT YMW025-03R
REG.	▲ D901		90M-HE200390R	90M-HE200390R	DIODE	1GBJ1006
REG.	▲ D902		90M-HE200390R	90M-HE200390R	DIODE	1GBJ1006
REG.	D903		90M-HD302360R	90M-HD302360R	ZENER DIODE	ZJ6.8B 1/2W
REG.	D904		90M-HD302400R	90M-HD302400R	ZENER DIODE	ZJ30BT
REG.	D905		nsp	90M-HD201750R	DIODE	1N4003
REG.	D906		nsp	90M-HD201750R	DIODE	1N4003
REG.	D907		nsp	90M-HD201750R	DIODE	1N4003

NOTE : *nsp* PART IS LISTED FOR REFERENCE ONLY, MARANTZ WILL NOT SUPPLY THESE PARTS.

P.W.B. NAME	POS. NO.	VERS. COLOR	PART NO. (FOR EUR)	PART NO. (MZ)	PART NAME	DESCRIPTION
REG.	D908		nsp	90M-HD201750R	DIODE	1N4003 CVD1N4003SRT
REG.	D909		nsp	90M-HD201750R	DIODE	1N4003 CVD1N4003SRT
REG.	D910		nsp	90M-HD201750R	DIODE	1N4003 CVD1N4003SRT
REG.	D911		nsp	90M-HD201750R	DIODE	1N4003 CVD1N4003SRT
REG.	D912		nsp	90M-HD201750R	DIODE	1N4003 CVD1N4003SRT
REG.	ET91		nsp	nsp	TERMINAL	EARTH PLATE CNE75
REG.	ET92		nsp	nsp	TERMINAL	EARTH PLATE CNE75
REG.	 F901		90M-FS001450R	90M-FS001450R	FUSE	1 T 5A 250V LITTLE FUSE 382 KBA2D5000A2EYT
REG.	IC91		90M-HC300990R	90M-HC300990R	IC	KIA578R05PI TO-220IS CVIKIA578R05PI
REG.	IC92		90M-HC300750R	90M-HC300750R	IC	KIA378R05PI HVIKIA378R05PI
REG.	IC93		00MHC3891509F	00MHC3891509F	IC	NJM7815FA HVINJM7815FA
REG.	IC94		00MHC3991509F	00MHC3991509F	IC	NJM7915FA HVINJM7915FA
REG.	IC95		90M-HC300790R	90M-HC300790R	IC	KIA78R05PI HVIKIA78R05PI
REG.	IC96		00MHC3891299F	00MHC3891299F	IC	KIA7812API HVIKIA7812API
REG.	IC97		00MHC3891299F	00MHC3891299F	IC	KIA7812API HVIKIA7812API
REG.	J901		nsp	nsp	CORD	SN95/PB5 0.6 C3A206
REG.	J902		nsp	nsp	CORD	SN95/PB5 0.6 C3A206
REG.	J903		nsp	nsp	CORD	SN95/PB5 0.6 C3A206
REG.	J904		nsp	nsp	CORD	SN95/PB5 0.6 C3A206
REG.	J905		nsp	nsp	CORD	SN95/PB5 0.6 C3A206
REG.	J906		nsp	nsp	CORD	SN95/PB5 0.6 C3A206
REG.	J907		nsp	nsp	CORD	SN95/PB5 0.6 C3A206
REG.	J908		nsp	nsp	CORD	SN95/PB5 0.6 C3A206
REG.	J909		nsp	nsp	CORD	SN95/PB5 0.6 C3A206
REG.	J910		nsp	nsp	CORD	SN95/PB5 0.6 C3A206
REG.	J911		nsp	nsp	CORD	SN95/PB5 0.6 C3A206
REG.	J912		nsp	nsp	CORD	SN95/PB5 0.6 C3A206
REG.	J913		nsp	nsp	CORD	SN95/PB5 0.6 C3A206
REG.	J914		nsp	nsp	CORD	SN95/PB5 0.6 C3A206
REG.	J915		nsp	nsp	CORD	SN95/PB5 0.6 C3A206
REG.	J916		nsp	nsp	CORD	SN95/PB5 0.6 C3A206
REG.	J917		nsp	nsp	CORD	SN95/PB5 0.6 C3A206
REG.	J918		nsp	nsp	CORD	SN95/PB5 0.6 C3A206
REG.	J920		nsp	nsp	CORD	SN95/PB5 0.6 C3A206
REG.	J921		nsp	nsp	CORD	SN95/PB5 0.6 C3A206
REG.	J922		nsp	nsp	CORD	SN95/PB5 0.6 C3A206
REG.	J924		nsp	nsp	CORD	SN95/PB5 0.6 C3A206
REG.	J925		nsp	nsp	CORD	SN95/PB5 0.6 C3A206
REG.	J926		nsp	nsp	CORD	SN95/PB5 0.6 C3A206
REG.	J927		nsp	nsp	CORD	SN95/PB5 0.6 C3A206
REG.	J928		nsp	nsp	CORD	SN95/PB5 0.6 C3A206
REG.	J929		nsp	nsp	CORD	SN95/PB5 0.6 C3A206
REG.	J930		nsp	nsp	CORD	SN95/PB5 0.6 C3A206
REG.	J931		nsp	nsp	CORD	SN95/PB5 0.6 C3A206
REG.	J933		nsp	nsp	CORD	SN95/PB5 0.6 C3A206
REG.	J934		nsp	nsp	CORD	SN95/PB5 0.6 C3A206
REG.	J935		nsp	nsp	CORD	SN95/PB5 0.6 C3A206
REG.	J936		nsp	nsp	CORD	SN95/PB5 0.6 C3A206
REG.	J937		nsp	nsp	CORD	SN95/PB5 0.6 C3A206
REG.	J938		nsp	nsp	CORD	SN95/PB5 0.6 C3A206
REG.	J939		nsp	nsp	CORD	SN95/PB5 0.6 C3A206
REG.	J940		nsp	nsp	CORD	SN95/PB5 0.6 C3A206
REG.	J941		nsp	nsp	CORD	SN95/PB5 0.6 C3A206
REG.	J942		nsp	nsp	CORD	SN95/PB5 0.6 C3A206
REG.	J943		nsp	nsp	CORD	SN95/PB5 0.6 C3A206
REG.	Q901		00MHT600121A0	00MHT600121A0	TRS.	KTA1268GR HVTKTA1268GRT
REG.	Q902		90M-HT800050R	90M-HT800050R	TRS.	KTC3198Y HVTKTC3198YT
REG.	Q903		90M-HT800050R	90M-HT800050R	TRS.	KTC3198Y HVTKTC3198YT
REG.	Q904		00MHT600111B0	00MHT600111B0	TRS.	KTA1267Y HVTKTA1267YT
REG.	R901		nsp	nsp	RES.	100 OHM 1/4W J CARBON CRD25TJ101T
REG.	R902		nsp	nsp	RES.	100 OHM 1/4W J CARBON CRD25TJ101T
REG.	 R903		90M-NH000150R	90M-NH000150R	FUSE RES.	1 0.15 OHM 1W J CRQ1AJR15H
REG.	 R904		90M-NH000150R	90M-NH000150R	FUSE RES.	1 0.15 OHM 1W J CRQ1AJR15H
REG.	R905		nsp	nsp	RES.	1 OHM 1/2W CRD50TJ1R0T
REG.	R906		nsp	nsp	RES.	22K OHM 1/6W J CARBON CRD20TJ223T
REG.	R907		nsp	nsp	RES.	22K OHM 1/6W J CARBON CRD20TJ223T
REG.	R908		nsp	nsp	RES.	10K OHM 1/6W J CARBON CRD20TJ103T

NOTE : *nsp* PART IS LISTED FOR REFERENCE ONLY, MARANTZ WILL NOT SUPPLY THESE PARTS.

P.W.B. NAME	POS. NO.	VERS. COLOR	PART NO. (FOR EUR)	PART NO. (MZ)	PART NAME	DESCRIPTION
REG.	R909		nsp	nsp	RES.	100K OHM 1/6W J CARBON CRD20TJ104T
REG.	R910		nsp	nsp	RES.	100K OHM 1/6W J CARBON CRD20TJ104T
REG.	R911		nsp	nsp	RES.	100K OHM 1/6W J CARBON CRD20TJ104T
REG.	R912		nsp	nsp	RES.	1.5K OHM 1W J METAL OXIDE FILM CRG1SANJ152RT
REG.	R913		nsp	nsp	RES.	1.5K OHM 1W J METAL OXIDE FILM CRG1SANJ152RT
REG.	R914		nsp	nsp	RES.	47K OHM 1/6W J CARBON CRD20TJ473T
REG.	R915		nsp	nsp	RES.	1.5K OHM 1/6W J CARBON CRD20TJ152T
REG.	R916		nsp	nsp	RES.	33K OHM 1/6W J CARBON CRD20TJ333T
REG.	R917		nsp	nsp	RES.	100K OHM 1/6W J CARBON CRD20TJ104T
REG.	R918		nsp	nsp	RES.	1 OHM 1/2W CRD50TJ1R0T
RS232C SIRIUS PWB (CUP12077Z)						
RS232	BN62		nsp	nsp	CORD	WIRE ASSY CWB1B005120EN
RS232	C103	/U1B	nsp	00MDD95471300	CER. CAP.	470PF 50V JA CCUS1H471JA
RS232	C104	/U1B	nsp	00MDD95471300	CER. CAP.	470PF 50V JA CCUS1H471JA
RS232	C105	/U1B	nsp	00MDK96104300	CER. CAP.	0.1UF 50V K CCUS1H104KC
RS232	C106	/U1B	nsp	00MDK96104300	CER. CAP.	0.1UF 50V K CCUS1H104KC
RS232	C107	/U1B	nsp	00MOA22605020	ELECT CAP.	22UF 50V CCEA1HH220T
RS232	C108	/U1B	nsp	00MOA22605020	ELECT CAP.	22UF 50V CCEA1HH220T
RS232	C109		nsp	00MDK96104300	CER. CAP.	0.1UF 50V K CCUS1H104KC
RS232	C110		nsp	00MDK96104300	CER. CAP.	0.1UF 50V K CCUS1H104KC
RS232	C111		nsp	00MDK96104300	CER. CAP.	0.1UF 50V K CCUS1H104KC
RS232	C112		nsp	00MDK96104300	CER. CAP.	0.1UF 50V K CCUS1H104KC
RS232	C113		nsp	00MDK96104300	CER. CAP.	0.1UF 50V K CCUS1H104KC
RS232	CN61	/U1B	nsp	nsp	CONN.	12P WAFER 2MM PITCH YDW200-12 CJP12GA147ZY
RS232	IC12		90M-HC108440R	90M-HC108440R	IC	ST202EBW RS-232C HVIST202EBW
RS232	JK11	/U1B	nsp	943646001440S	TERMINAL	DIN-801 DIN SOCKET CJU9N007Z
RS232	JK12		90M-YT005040R	90M-YT005040R	TERMINAL	9P D-SUB MALE (RS-232C) SEMCO CJU9V001Z
RS232	Q101	/U1B	nsp	90M-HX800010R	CHIP TRS.	KRC102S HVTKRC102S
RS232	R101	/U1B	nsp	00MNN05332610	CHIP RES.	3.3K OHM 1/10W J CRJ10DJ332T
RS232	R102	/U1B	nsp	00MNN05332610	CHIP RES.	3.3K OHM 1/10W J CRJ10DJ332T
RS232	R103	/U1B	nsp	00MNN05000610	CHIP RES.	0 OHM 1/10W J CRJ10DJ0R0T
RS232	R104	/U1B	nsp	00MNN05000610	CHIP RES.	0 OHM 1/10W J CRJ10DJ0R0T
RS232	R105	/U1B	nsp	00MNN05473610	CHIP RES.	47K OHM 1/10W J CRJ10DJ473T
RS232	R106	/U1B	nsp	00MNN05473610	CHIP RES.	47K OHM 1/10W J CRJ10DJ473T
RS232	R107	/U1B	nsp	00MNN05473610	CHIP RES.	47K OHM 1/10W J CRJ10DJ473T
RS232	R108	/U1B	nsp	00MNN05473610	CHIP RES.	47K OHM 1/10W J CRJ10DJ473T
RS232	SW11		90M-SS000710R	90M-SS000710R	SW	SLIDE SWITCH KSS2B016Z
SELECTOR ENCODER PWB (CUP12076Z)						
SEL ENC	C841		nsp	nsp	CER. CAP.	0.1UF 50V Z CCBS1H104ZFT
SEL ENC	C871		nsp	nsp	CER. CAP.	100PF 50V K CCBS1H101KBT
SEL ENC	C872		nsp	nsp	CER. CAP.	10000PF/25V CCBS1E103ZFT
SEL ENC	C873		nsp	nsp	CER. CAP.	10000PF/25V CCBS1E103ZFT
SEL ENC	CN31		nsp	nsp	CONN.	5P WAFER 20017WR-05 CJP05GB46ZY
SEL ENC	EN82		90M-SR000270R	90M-SR000270R	ROTARY SW	EC16B12S0AD4ZZ HSR2A032Z
SEL ENC	JW83		nsp	nsp	CORD	WIRE(1P) CWE8102080RV
SEL ENC	R871		nsp	nsp	RES.	10K OHM 1/6W J CARBON CRD20TJ103T
SEL ENC	R872		nsp	nsp	RES.	10K OHM 1/6W J CARBON CRD20TJ103T
SEL ENC	R873		nsp	nsp	RES.	10K OHM 1/6W J CARBON CRD20TJ103T
SEL ENC	R874		nsp	nsp	RES.	10K OHM 1/6W J CARBON CRD20TJ103T
STAND BY PWB (CUP12079Z)						
STBY	BK71		nsp	nsp	BRACKET	BRACKET FOR PWB (A) CMD1A188
STBY	BK72		nsp	nsp	BRACKET	BRACKET FOR PWB CMD1A569
STBY	BK73		nsp	nsp	BRACKET	BRACKET FOR PWB CMD1A569
STBY	BN56		nsp	nsp	CORD	9P WIRE ASSY(200MM 2.0MM) CWB1B009200SN
STBY	C501		nsp	nsp	CER. CAP.	0.1UF 50V Z CCBS1H104ZFT
STBY	C502		nsp	nsp	CER. CAP.	0.1UF 50V Z CCBS1H104ZFT
STBY	C503		nsp	nsp	CER. CAP.	0.1UF 50V Z CCBS1H104ZFT
STBY	C504		nsp	nsp	CER. CAP.	0.1UF 50V Z CCBS1H104ZFT
STBY	C505		nsp	00MOA10701620	ELECT CAP.	100UF 16V CCEA1CH101T
STBY	C506		nsp	nsp	CER. CAP.	33PF 50V JC CCT1H330JC
STBY	C507		nsp	nsp	CER. CAP.	33PF 50V JC CCT1H330JC
STBY	C508		nsp	nsp	CER. CAP.	0.1UF 50V Z CCBS1H104ZFT
STBY	C509		nsp	nsp	CER. CAP.	0.01UF 50V Z CCBS1H103ZFT
STBY	C510		nsp	nsp	CER. CAP.	0.1UF 50V Z CCBS1H104ZFT
STBY	C511		nsp	nsp	CER. CAP.	0.01UF 50V Z CCBS1H103ZFT
STBY	C512		nsp	00MOA10701620	ELECT CAP.	100UF 16V CCEA1CH101T
STBY	C513		nsp	00MOA10701620	ELECT CAP.	100UF 16V CCEA1CH101T

NOTE : *nsp* PART IS LISTED FOR REFERENCE ONLY, MARANTZ WILL NOT SUPPLY THESE PARTS.

P.W.B. NAME	POS. NO.	VERS. COLOR	PART NO. (FOR EUR)	PART NO. (MZ)	PART NAME	DESCRIPTION	
STBY	C780		nsp	00MOA47802520	ELECT CAP.	4700UF 25V	CCEA1EH472E
STBY	C781		nsp	nsp	CER. CAP.	0.1UF 50V Z	CCBS1H104ZFT
STBY	C782		nsp	00MOA10605020	ELECT CAP.	10UF 50V	CCEA1HH100T
STBY	C783		nsp	00MOA10701620	ELECT CAP.	100UF 16V	CCEA1CH101T
STBY	C784		nsp	nsp	CER. CAP.	0.1UF 50V Z	CCBS1H104ZFT
STBY	C785		nsp	nsp	CER. CAP.	0.1UF 50V Z	CCBS1H104ZFT
STBY	C787		nsp	00MOA10702520	ELECT CAP.	100UF 25V	CCEA1EH101T
STBY	C788		nsp	nsp	CER. CAP.	0.1UF 50V Z	CCBS1H104ZFT
STBY	C789		nsp	nsp	CER. CAP.	0.1UF 50V Z	CCBS1H104ZFT
STBY	C790		nsp	00MOA10805020	ELECT CAP.	1000UF/50V	CCEA1HH102E
STBY	C791		nsp	nsp	CER. CAP.	1000PF 50V KB	CKKT1H102KB
STBY	▲ C792		90M-DK100810R	90M-DK100810R	CER. CAP.	1 DE1610-610F103M JP (KH TYPE)	HCKWKH103MF
STBY	CN53		nsp	nsp	CONN.	3P STRAIGHT YMW025-03R	CJP03GA01ZY
STBY	CN54		nsp	nsp	CONN.	2P STRAIGHT YMW025-02R	CJP02GA01ZY
STBY	CN55		nsp	nsp	CONN.	12P WAFER 2MM PITCH YDW200-12	CJP12GA147ZY
STBY	CN57		nsp	nsp	CONN.	7P STRAIGHT 00906-0017	CJP07GA01ZY
STBY	CN58	/N1B	nsp	nsp	CONN.	2P WAFER	CJP02GA89ZY
STBY	CN59		nsp	nsp	CONN.	2P WAFER	CJP02GA89ZY
STBY	CN60		nsp	nsp	CONN.	2P WAFER	CJP02GA89ZY
STBY	D702		nsp	00MHD20015210	DIODE	1SS133T-77	CVD1SS133MT
STBY	D704		nsp	90M-HD201750R	DIODE	1N4003	CVD1N4003SRT
STBY	D706		90M-HD302410R	90M-HD302410R	ZENER DIODE	ZJ8.2BT	CVDZJ8.2BT
STBY	D707		nsp	90M-HD201750R	DIODE	1N4003	CVD1N4003SRT
STBY	D708		nsp	90M-HD201750R	DIODE	1N4003	CVD1N4003SRT
STBY	D709		nsp	90M-HD201750R	DIODE	1N4003	CVD1N4003SRT
STBY	D710		nsp	90M-HD201750R	DIODE	1N4003	CVD1N4003SRT
STBY	D711		nsp	90M-HD201750R	DIODE	1N4003	CVD1N4003SRT
STBY	D712		nsp	90M-HD201750R	DIODE	1N4003	CVD1N4003SRT
STBY	D713		nsp	90M-HD201750R	DIODE	1N4003	CVD1N4003SRT
STBY	D714		nsp	90M-HD201750R	DIODE	1N4003	CVD1N4003SRT
STBY	D715		nsp	90M-HD201750R	DIODE	1N4003	CVD1N4003SRT
STBY	D716		nsp	90M-HD201750R	DIODE	1N4003	CVD1N4003SRT
STBY	D717		nsp	90M-HD201750R	DIODE	1N4003	CVD1N4003SRT
STBY	ET71		nsp	nsp	TERMINAL	EARTH PLATE	CNE75
STBY	▲ F701	/N1B	943652001740S	943652001740S	FUSE	1 1A/250V	KBA2C1000TLEY
STBY	▲ F701	/U1B	nsp	90M-FS001240R	FUSE	1 EUR (2A/250V)	KBA2C2000TLEY
STBY	F701(1)		nsp	nsp	CONN.	HOLDER FUSE	KJCFCS5
STBY	IC51		943243001620M	943243001620M	U-PRO	R5F21246SNFP DMP AV8003	CVIR5F21248SNFP
STBY	IC74		90M-HC108410R	90M-HC108410R	IC	S-80842CNY-X	HVIS-80842CNY-X
STBY	▲ IC75		90M-HC300500R	90M-HC300500R	IC	1 KA7805-ABTU	HVIMC7805C
STBY	▲ IC76		90M-HC300520R	90M-HC300520R	IC	1 KA7812-ABTU	HVIMC7812C
STBY	JP10	/U1B	nsp	nsp	CORD	SN95/PB5 0.6	C3A206
STBY	JP11		nsp	nsp	CORD	SN95/PB5 0.6	C3A206
STBY	JP12		nsp	nsp	CORD	SN95/PB5 0.6	C3A206
STBY	JP13		nsp	nsp	CORD	SN95/PB5 0.6	C3A206
STBY	JP14		nsp	nsp	CORD	SN95/PB5 0.6	C3A206
STBY	JP18		nsp	nsp	CORD	SN95/PB5 0.6	C3A206
STBY	JP19		nsp	nsp	CORD	SN95/PB5 0.6	C3A206
STBY	JP20		nsp	nsp	CORD	SN95/PB5 0.6	C3A206
STBY	JP21		nsp	nsp	CORD	SN95/PB5 0.6	C3A206
STBY	JP23		nsp	nsp	CORD	SN95/PB5 0.6	C3A206
STBY	JP24		nsp	nsp	CORD	SN95/PB5 0.6	C3A206
STBY	JP25		nsp	nsp	CORD	SN95/PB5 0.6	C3A206
STBY	JP26		nsp	nsp	CORD	SN95/PB5 0.6	C3A206
STBY	JP27		nsp	nsp	CORD	SN95/PB5 0.6	C3A206
STBY	JP28		nsp	nsp	CORD	SN95/PB5 0.6	C3A206
STBY	JP29		nsp	nsp	CORD	SN95/PB5 0.6	C3A206
STBY	JP30		nsp	nsp	CORD	SN95/PB5 0.6	C3A206
STBY	JP31		nsp	nsp	CORD	SN95/PB5 0.6	C3A206
STBY	JP32		nsp	nsp	CORD	SN95/PB5 0.6	C3A206
STBY	JP33		nsp	nsp	CORD	SN95/PB5 0.6	C3A206
STBY	JP34		nsp	nsp	CORD	SN95/PB5 0.6	C3A206
STBY	JP35		nsp	nsp	CORD	SN95/PB5 0.6	C3A206
STBY	JP36		nsp	nsp	CORD	SN95/PB5 0.6	C3A206
STBY	JP37		nsp	nsp	CORD	SN95/PB5 0.6	C3A206
STBY	JP38		nsp	nsp	CORD	SN95/PB5 0.6	C3A206
STBY	JP39		nsp	nsp	CORD	SN95/PB5 0.6	C3A206

NOTE : *nsp* PART IS LISTED FOR REFERENCE ONLY, MARANTZ WILL NOT SUPPLY THESE PARTS.

P.W.B. NAME	POS. NO.	VERS. COLOR	PART NO. (FOR EUR)	PART NO. (MZ)	PART NAME	DESCRIPTION	
STBY	JP40		nsp	nsp	CORD	SN95/PB5 0.6	C3A206
STBY	JP41		nsp	nsp	CORD	SN95/PB5 0.6	C3A206
STBY	JP42		nsp	nsp	CORD	SN95/PB5 0.6	C3A206
STBY	JP43		nsp	nsp	CORD	SN95/PB5 0.6	C3A206
STBY	JP44		nsp	nsp	CORD	SN95/PB5 0.6	C3A206
STBY	JP45		nsp	nsp	CORD	SN95/PB5 0.6	C3A206
STBY	JP46		nsp	nsp	CORD	SN95/PB5 0.6	C3A206
STBY	JP47		nsp	nsp	CORD	SN95/PB5 0.6	C3A206
STBY	JP48		nsp	nsp	CORD	SN95/PB5 0.6	C3A206
STBY	JP49		nsp	nsp	CORD	SN95/PB5 0.6	C3A206
STBY	JP50		nsp	nsp	CORD	SN95/PB5 0.6	C3A206
STBY	JP51		nsp	nsp	CORD	SN95/PB5 0.6	C3A206
STBY	JP52		nsp	nsp	CORD	SN95/PB5 0.6	C3A206
STBY	JP53		nsp	nsp	CORD	SN95/PB5 0.6	C3A206
STBY	L501		90M-FC900460R	90M-FC900460R	EMI FILTER	CHIP BEAD NFM21PC474R1C3	CLZ9R007Z
STBY	Q704		00MBA20001000	00MBA20001000	TRS.	KRC102M	HVTKRC102MT
STBY	Q705		00MHT600111B0	00MHT600111B0	TRS.	KTA1267Y	HVTKTA1267YT
STBY	Q901		00MBA20001000	00MBA20001000	TRS.	KRC102M	HVTKRC102MT
STBY	Q902		00MBA20001000	00MBA20001000	TRS.	KRC102M	HVTKRC102MT
STBY	Q903		90M-HT800050R	90M-HT800050R	TRS.	KTC3198Y	HVTKTC3198YT
STBY	R501		nsp	nsp	RES.	10K OHM 1/6W J CARBON	CRD20TJ103T
STBY	R502		nsp	nsp	RES.	10K OHM 1/6W J CARBON	CRD20TJ103T
STBY	R503		nsp	nsp	RES.	10K OHM 1/6W J CARBON	CRD20TJ103T
STBY	R504		nsp	nsp	RES.	10K OHM 1/6W J CARBON	CRD20TJ103T
STBY	R505		nsp	nsp	RES.	10K OHM 1/6W J CARBON	CRD20TJ103T
STBY	R506		nsp	nsp	RES.	10K OHM 1/6W J CARBON	CRD20TJ103T
STBY	R507		nsp	nsp	RES.	1 OHM 1/6W J CARBON	CRD20TJ1R0T
STBY	R509		nsp	nsp	RES.	10K OHM 1/6W J CARBON	CRD20TJ103T
STBY	R510		nsp	nsp	RES.	10K OHM 1/6W J CARBON	CRD20TJ103T
STBY	R511		nsp	nsp	RES.	10K OHM 1/6W J CARBON	CRD20TJ103T
STBY	R512		nsp	nsp	RES.	10K OHM 1/6W J CARBON	CRD20TJ103T
STBY	R513		nsp	nsp	RES.	10K OHM 1/6W J CARBON	CRD20TJ103T
STBY	R514		nsp	nsp	RES.	10K OHM 1/6W J CARBON	CRD20TJ103T
STBY	R515		nsp	nsp	RES.	10K OHM 1/6W J CARBON	CRD20TJ103T
STBY	R516		nsp	nsp	RES.	10K OHM 1/6W J CARBON	CRD20TJ103T
STBY	R517		nsp	nsp	RES.	10K OHM 1/6W J CARBON	CRD20TJ103T
STBY	R518		nsp	nsp	RES.	10K OHM 1/6W J CARBON	CRD20TJ103T
STBY	R519		nsp	nsp	RES.	10K OHM 1/6W J CARBON	CRD20TJ103T
STBY	R520		nsp	nsp	RES.	10K OHM 1/6W J CARBON	CRD20TJ103T
STBY	R521		nsp	nsp	RES.	10K OHM 1/6W J CARBON	CRD20TJ103T
STBY	R522		nsp	nsp	RES.	10K OHM 1/6W J CARBON	CRD20TJ103T
STBY	R523		nsp	nsp	RES.	10K OHM 1/6W J CARBON	CRD20TJ103T
STBY	R524		nsp	nsp	RES.	10K OHM 1/6W J CARBON	CRD20TJ103T
STBY	R525		nsp	nsp	RES.	10K OHM 1/6W J CARBON	CRD20TJ103T
STBY	R526		nsp	nsp	RES.	10K OHM 1/6W J CARBON	CRD20TJ103T
STBY	R527		nsp	nsp	RES.	10K OHM 1/6W J CARBON	CRD20TJ103T
STBY	R528		nsp	nsp	RES.	10K OHM 1/6W J CARBON	CRD20TJ103T
STBY	R529		nsp	nsp	RES.	10K OHM 1/6W J CARBON	CRD20TJ103T
STBY	R530		nsp	nsp	RES.	10K OHM 1/6W J CARBON	CRD20TJ103T
STBY	R531		nsp	nsp	RES.	10K OHM 1/6W J CARBON	CRD20TJ103T
STBY	R532		nsp	nsp	RES.	10K OHM 1/6W J CARBON	CRD20TJ103T
STBY	R533		nsp	nsp	RES.	10K OHM 1/6W J CARBON	CRD20TJ103T
STBY	R534		nsp	nsp	RES.	10K OHM 1/6W J CARBON	CRD20TJ103T
STBY	R535		nsp	nsp	RES.	10K OHM 1/6W J CARBON	CRD20TJ103T
STBY	R536		nsp	nsp	RES.	10K OHM 1/6W J CARBON	CRD20TJ103T
STBY	R537		nsp	nsp	RES.	10K OHM 1/6W J CARBON	CRD20TJ103T
STBY	R538		nsp	nsp	RES.	10K OHM 1/6W J CARBON	CRD20TJ103T
STBY	R539		nsp	nsp	RES.	10K OHM 1/6W J CARBON	CRD20TJ103T
STBY	R540		nsp	nsp	RES.	10K OHM 1/6W J CARBON	CRD20TJ103T
STBY	R541		nsp	nsp	RES.	10K OHM 1/6W J CARBON	CRD20TJ103T
STBY	R542		nsp	nsp	RES.	10K OHM 1/6W J CARBON	CRD20TJ103T
STBY	R543		nsp	nsp	RES.	10K OHM 1/6W J CARBON	CRD20TJ103T
STBY	R544		nsp	nsp	RES.	6.8K OHM 1/6W J CARBON	CRD20TJ682T
STBY	R545		nsp	nsp	RES.	4.7K OHM 1/6W J CARBON	CRD20TJ472T
STBY	R546		nsp	nsp	RES.	4.7K OHM 1/6W J CARBON	CRD20TJ472T
STBY	R547		nsp	nsp	RES.	10K OHM 1/6W J CARBON	CRD20TJ103T
STBY	R550		nsp	nsp	CORD	SN95/PB5 0.6	C3A206

NOTE : *nsp* PART IS LISTED FOR REFERENCE ONLY, MARANTZ WILL NOT SUPPLY THESE PARTS.

P.W.B. NAME	POS. NO.	VERS. COLOR	PART NO. (FOR EUR)	PART NO. (MZ)	PART NAME	DESCRIPTION
STBY	R781		nsp	nsp	RES.	47K OHM 1/6W J CARBON CRD20TJ473T
STBY	R782		nsp	nsp	RES.	10K OHM 1/6W J CARBON CRD20TJ103T
STBY	R783		nsp	nsp	RES.	2.2K OHM 1/6W J CARBON CRD20TJ222T
STBY	R786		nsp	nsp	RES.	1 OHM 1/6W J CARBON CRD20TJ1R0T
STBY	R788		nsp	nsp	RES.	4.7K OHM 1/6W J CARBON CRD20TJ472T
STBY	R789		nsp	nsp	RES.	10K OHM 1/6W J CARBON CRD20TJ103T
STBY	▲ RY71		00MLY10090010	00MLY10090010	RELAY	I SDT-S-109DMR HSL1D018ZE
STBY	▲ T701	/N1B	90M-TS002930R	90M-TS002930R	TRANSF.	I TRANSF. SUB N CLT5K006ZE
STBY	▲ T701	/U1B	nsp	90M-TS002950R	TRANSF.	I TRANSF. SUB U CLT5K006ZU
STBY	X501		90M-JX001190R	90M-JX001190R	X'TAL	20MHZ HOX20000E220TF
TACT PWB (CUP12076Z)						
TACT	CN19		nsp	nsp	CONN.	ANGLE 7PIN 20017WR-07 CJP07GB48ZY
TACT	D804		263710016400S	263710016400S	L.E.D.	SLI-325URT31W TP CVDSLI825URT31WT055
TACT	JP83	/U1B	nsp	nsp	CORD	SN95/PB5 0.6 C3A206
TACT	JP84	/U1B	nsp	nsp	CORD	SN95/PB5 0.6 C3A206
TACT	SW98	/U1B	nsp	90M-SP001210R	SW	SKHV10910G TACT CST1A012ZT
VIDEO PWB (CUP12073Z)						
VIDEO	BN36		nsp	nsp	CORD	2P WIRE ASSY(250MM 2.0MM) CWZAV8003BN36
VIDEO	BN37		nsp	nsp	CORD	5P WIRE ASSY(2.0MM) CWZAV8003BN37
VIDEO	C702		nsp	00MOA10605020	ELECT CAP.	10UF 50V CCEA1HH100T
VIDEO	C704		nsp	00MOA10605020	ELECT CAP.	10UF 50V CCEA1HH100T
VIDEO	C706		nsp	00MOA10605020	ELECT CAP.	10UF 50V CCEA1HH100T
VIDEO	C707		nsp	nsp	CER. CAP.	47PF 50V JC CCCT1H470JC
VIDEO	C708		nsp	00MOA47701020	ELECT CAP.	470UF 10V CCEA1AH471T
VIDEO	C710		nsp	00MOA10605020	ELECT CAP.	10UF 50V CCEA1HH100T
VIDEO	C711		nsp	nsp	CER. CAP.	47PF 50V JC CCCT1H470JC
VIDEO	C712		nsp	00MOA47701020	ELECT CAP.	470UF 10V CCEA1AH471T
VIDEO	C713		nsp	nsp	CER. CAP.	68PF 50V JC CCCT1H680JC
VIDEO	C714		nsp	00MOA47701020	ELECT CAP.	470UF 10V CCEA1AH471T
VIDEO	C715		nsp	00MOA10605020	ELECT CAP.	10UF 50V CCEA1HH100T
VIDEO	C716		nsp	00MOA10605020	ELECT CAP.	10UF 50V CCEA1HH100T
VIDEO	C717		nsp	00MOA10605020	ELECT CAP.	10UF 50V CCEA1HH100T
VIDEO	C719		nsp	00MOA10605020	ELECT CAP.	10UF 50V CCEA1HH100T
VIDEO	C720		nsp	00MOA10605020	ELECT CAP.	10UF 50V CCEA1HH100T
VIDEO	C722		nsp	00MOA10605020	ELECT CAP.	10UF 50V CCEA1HH100T
VIDEO	C723		nsp	00MOA10605020	ELECT CAP.	10UF 50V CCEA1HH100T
VIDEO	C725		nsp	00MOA10605020	ELECT CAP.	10UF 50V CCEA1HH100T
VIDEO	C726		nsp	00MOA10605020	ELECT CAP.	10UF 50V CCEA1HH100T
VIDEO	C727		nsp	nsp	CER. CAP.	47PF 50V JC CCCT1H470JC
VIDEO	C728		nsp	00MOA47701020	ELECT CAP.	470UF 10V CCEA1AH471T
VIDEO	C729		nsp	nsp	CER. CAP.	47PF 50V JC CCCT1H470JC
VIDEO	C730		nsp	00MOA10605020	ELECT CAP.	10UF 50V CCEA1HH100T
VIDEO	C732		nsp	00MOA10605020	ELECT CAP.	10UF 50V CCEA1HH100T
VIDEO	C733		nsp	00MOA10605020	ELECT CAP.	10UF 50V CCEA1HH100T
VIDEO	C734		nsp	nsp	CER. CAP.	47PF 50V JC CCCT1H470JC
VIDEO	C735		nsp	00MOA47701020	ELECT CAP.	470UF 10V CCEA1AH471T
VIDEO	C736		nsp	nsp	CER. CAP.	47PF 50V JC CCCT1H470JC
VIDEO	C737		nsp	00MOA10605020	ELECT CAP.	10UF 50V CCEA1HH100T
VIDEO	C738		nsp	nsp	CER. CAP.	68PF 50V JC CCCT1H680JC
VIDEO	C739		nsp	00MOA47701020	ELECT CAP.	470UF 10V CCEA1AH471T
VIDEO	C740		nsp	nsp	CER. CAP.	68PF 50V JC CCCT1H680JC
VIDEO	C741		nsp	00MOA10605020	ELECT CAP.	10UF 50V CCEA1HH100T
VIDEO	C742		nsp	00MOA10605020	ELECT CAP.	10UF 50V CCEA1HH100T
VIDEO	C743		nsp	nsp	CORD	SN95/PB5 0.6 C3A206
VIDEO	C744		nsp	00MOA22505020	ELECT CAP.	2.2UF 50V CCEA1HH2R2T
VIDEO	C745		nsp	00MOA10605020	ELECT CAP.	10UF 50V CCEA1HH100T
VIDEO	C746		nsp	00MOA10605020	ELECT CAP.	10UF 50V CCEA1HH100T
VIDEO	C747		nsp	00MOA10605020	ELECT CAP.	10UF 50V CCEA1HH100T
VIDEO	C748		nsp	nsp	CER. CAP.	0.01UF 50V Z CCFT1H103ZF
VIDEO	C749		nsp	00MOA10701620	ELECT CAP.	100UF 16V CCEA1CH101T
VIDEO	C751		nsp	00MOA47505020	ELECT CAP.	4.7UF 50V CCEA1HH4R7T
VIDEO	C752		nsp	00MOA10605020	ELECT CAP.	10UF 50V CCEA1HH100T
VIDEO	C753		nsp	00MOA10701620	ELECT CAP.	100UF 16V CCEA1CH101T
VIDEO	C754		nsp	nsp	CER. CAP.	0.01UF 50V Z CCFT1H103ZF
VIDEO	C755		nsp	nsp	CER. CAP.	47PF 50V JC CCCT1H470JC
VIDEO	C756		nsp	nsp	CER. CAP.	0.01UF 50V Z CCFT1H103ZF
VIDEO	C757		nsp	00MOA10701620	ELECT CAP.	100UF 16V CCEA1CH101T

NOTE : *nsp* PART IS LISTED FOR REFERENCE ONLY, MARANTZ WILL NOT SUPPLY THESE PARTS.

P.W.B. NAME	POS. NO.	VERS. COLOR	PART NO. (FOR EUR)	PART NO. (MZ)	PART NAME	DESCRIPTION
VIDEO	C758		nsp	00MOA10701620	ELECT CAP.	100UF 16V CCEA1CH101T
VIDEO	C759		nsp	nsp	CER. CAP.	0.01UF 50V Z CCFT1H103ZF
VIDEO	C760		nsp	nsp	CER. CAP.	47PF 50V JC CCT1H470JC
VIDEO	C761		nsp	nsp	CER. CAP.	0.01UF 50V Z CCFT1H103ZF
VIDEO	C762		nsp	00MOA10701620	ELECT CAP.	100UF 16V CCEA1CH101T
VIDEO	C763		nsp	00MOA10701620	ELECT CAP.	100UF 16V CCEA1CH101T
VIDEO	C764		nsp	nsp	CER. CAP.	0.01UF 50V Z CCFT1H103ZF
VIDEO	C765		nsp	nsp	CER. CAP.	47PF 50V JC CCT1H470JC
VIDEO	C766		nsp	nsp	CER. CAP.	0.01UF 50V Z CCFT1H103ZF
VIDEO	C767		nsp	00MOA10701620	ELECT CAP.	100UF 16V CCEA1CH101T
VIDEO	C768		nsp	nsp	CER. CAP.	1200PF 50V KB CCKT1H122KB
VIDEO	C769		nsp	00MOA10505020	ELECT CAP.	1UF 50V CCEA1HH1R0T
VIDEO	C770		nsp	nsp	CER. CAP.	0.01UF 50V Z CCFT1H103ZF
VIDEO	C771		nsp	00MOA10701620	ELECT CAP.	100UF 16V CCEA1CH101T
VIDEO	C773		nsp	nsp	CER. CAP.	24PF 50V JC CCT1H240JC
VIDEO	C774		nsp	nsp	CER. CAP.	22PF 50V JC CCT1H220JC
VIDEO	C775		nsp	00MOA10505020	ELECT CAP.	1UF 50V CCEA1HH1R0T
VIDEO	C776		nsp	nsp	CER. CAP.	0.01UF 50V Z CCFT1H103ZF
VIDEO	C777		nsp	nsp	CER. CAP.	30PF 50V JC CCT1H300JC
VIDEO	C778	/N1B	nsp	nsp	CER. CAP.	27PF 50V JC CCT1H270JC
VIDEO	C778	/U1B	nsp	nsp	CER. CAP.	30PF 50V JC CCT1H300JC
VIDEO	C779		nsp	00MOA10605020	ELECT CAP.	10UF 50V CCEA1HH100T
VIDEO	C780		nsp	nsp	CER. CAP.	47PF 50V JC CCT1H470JC
VIDEO	C781		nsp	nsp	CER. CAP.	1000PF 50V KB CCKT1H102KB
VIDEO	C782		nsp	nsp	CER. CAP.	220PF 50V KB CCKT1H221KB
VIDEO	C783		nsp	00MOA10605020	ELECT CAP.	10UF 50V CCEA1HH100T
VIDEO	C785		nsp	nsp	CER. CAP.	0.01UF 50V Z CCFT1H103ZF
VIDEO	C786		nsp	nsp	CER. CAP.	0.01UF 50V Z CCFT1H103ZF
VIDEO	C787		nsp	00MOA10701620	ELECT CAP.	100UF 16V CCEA1CH101T
VIDEO	C788		nsp	00MOA10605020	ELECT CAP.	10UF 50V CCEA1HH100T
VIDEO	C789		nsp	00MOA10605020	ELECT CAP.	10UF 50V CCEA1HH100T
VIDEO	C790		nsp	nsp	CER. CAP.	0.01UF 50V Z CCFT1H103ZF
VIDEO	C791		nsp	nsp	CER. CAP.	0.01UF 50V Z CCFT1H103ZF
VIDEO	C792		nsp	00MOA10701620	ELECT CAP.	100UF 16V CCEA1CH101T
VIDEO	C793		nsp	nsp	CER. CAP.	0.01UF 50V Z CCFT1H103ZF
VIDEO	C794		nsp	nsp	CER. CAP.	47PF 50V JC CCT1H470JC
VIDEO	C795		nsp	00MOA10701620	ELECT CAP.	100UF 16V CCEA1CH101T
VIDEO	C796		nsp	nsp	CER. CAP.	0.01UF 50V Z CCFT1H103ZF
VIDEO	C797		nsp	00MOA10605020	ELECT CAP.	10UF 50V CCEA1HH100T
VIDEO	C798		nsp	nsp	CER. CAP.	0.01UF 50V Z CCFT1H103ZF
VIDEO	C799		nsp	nsp	CER. CAP.	0.01UF 50V Z CCFT1H103ZF
VIDEO	C800		nsp	00MOA10605020	ELECT CAP.	10UF 50V CCEA1HH100T
VIDEO	C801		nsp	nsp	CORD	SN95/PB5 0.6 C3A206
VIDEO	C802		nsp	00MOA10605020	ELECT CAP.	10UF 50V CCEA1HH100T
VIDEO	C803		nsp	nsp	CER. CAP.	0.01UF 50V Z CCFT1H103ZF
VIDEO	C804		nsp	nsp	CER. CAP.	0.01UF 50V Z CCFT1H103ZF
VIDEO	C805		nsp	00MOA10701620	ELECT CAP.	100UF 16V CCEA1CH101T
VIDEO	C806		nsp	nsp	CER. CAP.	0.01UF 50V Z CCFT1H103ZF
VIDEO	C807		nsp	nsp	CER. CAP.	1000PF 50V KB CCKT1H102KB
VIDEO	C811		nsp	00MOA10701620	ELECT CAP.	100UF 16V CCEA1CH101T
VIDEO	C812		nsp	nsp	CER. CAP.	0.01UF 50V Z CCFT1H103ZF
VIDEO	C813		nsp	nsp	CER. CAP.	0.01UF 50V Z CCFT1H103ZF
VIDEO	C814		nsp	00MOA10605020	ELECT CAP.	10UF 50V CCEA1HH100T
VIDEO	C815		nsp	nsp	CER. CAP.	47PF 50V JC CCT1H470JC
VIDEO	C817		nsp	00MOA10701620	ELECT CAP.	100UF 16V CCEA1CH101T
VIDEO	C818		nsp	nsp	CER. CAP.	0.01UF 50V Z CCFT1H103ZF
VIDEO	C819		nsp	nsp	CER. CAP.	0.01UF 50V Z CCFT1H103ZF
VIDEO	C820		nsp	00MOA10701620	ELECT CAP.	100UF 16V CCEA1CH101T
VIDEO	C821		nsp	nsp	CER. CAP.	68PF 50V JC CCT1H680JC
VIDEO	C822		nsp	00MOA47701020	ELECT CAP.	470UF 10V CCEA1AH471T
VIDEO	C823		nsp	00MOA10605020	ELECT CAP.	10UF 50V CCEA1HH100T
VIDEO	C824		nsp	00MOA10605020	ELECT CAP.	10UF 50V CCEA1HH100T
VIDEO	C825		nsp	00MOA10605020	ELECT CAP.	10UF 50V CCEA1HH100T
VIDEO	C827		nsp	nsp	CER. CAP.	1000PF 50V KB CCKT1H102KB
VIDEO	C828		nsp	nsp	CER. CAP.	0.01UF 50V Z CCFT1H103ZF
VIDEO	C829		nsp	nsp	CER. CAP.	47PF 50V JC CCT1H470JC
VIDEO	C830		nsp	nsp	CER. CAP.	47PF 50V JC CCT1H470JC

NOTE : *nsp* PART IS LISTED FOR REFERENCE ONLY, MARANTZ WILL NOT SUPPLY THESE PARTS.

P.W.B. NAME	POS. NO.	VERS. COLOR	PART NO. (FOR EUR)	PART NO. (MZ)	PART NAME	DESCRIPTION	
VIDEO	C831		nsp	00MOA10605020	ELECT CAP.	10UF 50V	CCEA1HH100T
VIDEO	C833		nsp	00MOA10605020	ELECT CAP.	10UF 50V	CCEA1HH100T
VIDEO	C834		nsp	00MOA10605020	ELECT CAP.	10UF 50V	CCEA1HH100T
VIDEO	C848		nsp	nsp	CER. CAP.	1000PF 50V KB	CCKT1H102KB
VIDEO	C849		nsp	nsp	CER. CAP.	0.01UF 50V Z	CCFT1H103ZF
VIDEO	C850		nsp	00MOA10605020	ELECT CAP.	10UF 50V	CCEA1HH100T
VIDEO	CN35		nsp	nsp	CONN.	5P STRAIGHT 20017WS-05	CJP06GA19ZY
VIDEO	CN39		nsp	nsp	CONN.	17P WAFER FFC FCZ100E-17SSK	CJP17GA117ZY
VIDEO	CN40		nsp	nsp	CONN.	17P WAFER FFC FCZ100E-17SSK	CJP17GA117ZY
VIDEO	CN42		nsp	nsp	CONN.	7P STRAIGHT 00906-0017	CJP07GA01ZY
VIDEO	CN43		nsp	nsp	CONN.	9P WAFER YMW025-09R	CJP09GA01ZY
VIDEO	CN72		nsp	nsp	CONN.	17P WAFER FFC FCZ100E-17SSK	CJP17GA117ZY
VIDEO	D701		nsp	00MHD20015210	DIODE	1SS133T-77	CVD1SS133MT
VIDEO	D702		nsp	00MHD20015210	DIODE	1SS133T-77	CVD1SS133MT
VIDEO	D704		nsp	00MHD20015210	DIODE	1SS133T-77	CVD1SS133MT
VIDEO	D705		nsp	90M-HD201750R	DIODE	1N4003	CVD1N4003SRT
VIDEO	D706		nsp	00MHD20015210	DIODE	1SS133T-77	CVD1SS133MT
VIDEO	D707		nsp	00MHD20015210	DIODE	1SS133T-77	CVD1SS133MT
VIDEO	D708		nsp	90M-HD201750R	DIODE	1N4003	CVD1N4003SRT
VIDEO	D709		nsp	90M-HD201750R	DIODE	1N4003	CVD1N4003SRT
VIDEO	D710		nsp	90M-HD201750R	DIODE	1N4003	CVD1N4003SRT
VIDEO	IC71		00MHC10227090	00MHC10227090	IC	NJM2595D VIDEO S/W	HVINJM2595D
VIDEO	IC72		00MHC10227090	00MHC10227090	IC	NJM2595D VIDEO S/W	HVINJM2595D
VIDEO	IC73		00MHC10227090	00MHC10227090	IC	NJM2595D VIDEO S/W	HVINJM2595D
VIDEO	IC74		90M-HC108400R	90M-HC108400R	IC	NJM2535D VIDEO S/W	HVINJM2535D
VIDEO	IC75		00MHC10185090	00MHC10185090	IC	NJM2264D VIDEO	HVINJM2264D
VIDEO	IC76		00MHC10119090	00MHC10119090	IC	NJM2244D VIDEO	HVINJM2244D
VIDEO	IC77		00MHC10119090	00MHC10119090	IC	NJM2244D VIDEO	HVINJM2244D
VIDEO	IC78		00MHC10423030	00MHC10423030	IC	LC747828A13E	CVILC747828A13E
VIDEO	IC79		90M-HC108420R	90M-HC108420R	IC	TC74HC4094AP	HVITC74HC4094AP
VIDEO	IC80		90M-HC108420R	90M-HC108420R	IC	TC74HC4094AP	HVITC74HC4094AP
VIDEO	IC81		00MHC10227090	00MHC10227090	IC	NJM2595D VIDEO S/W	HVINJM2595D
VIDEO	IC82		00MHC10119090	00MHC10119090	IC	NJM2244D VIDEO	HVINJM2244D
VIDEO	IC83		90M-HC108420R	90M-HC108420R	IC	TC74HC4094AP	HVITC74HC4094AP
VIDEO	IC91		90M-HC300560R	90M-HC300560R	IC	KA7805	HVIMC7905C
VIDEO	IC92		00MHC3990809F	00MHC3990809F	IC	NJM7908FA	HVINJM7908FA
VIDEO	J701		nsp	nsp	CORD	SN95/PB5 0.6	C3A206
VIDEO	J702		nsp	nsp	CORD	SN95/PB5 0.6	C3A206
VIDEO	J703		nsp	nsp	CORD	SN95/PB5 0.6	C3A206
VIDEO	J704		nsp	nsp	CORD	SN95/PB5 0.6	C3A206
VIDEO	J705		nsp	nsp	CORD	SN95/PB5 0.6	C3A206
VIDEO	J706		nsp	nsp	CORD	SN95/PB5 0.6	C3A206
VIDEO	J707		nsp	nsp	CORD	SN95/PB5 0.6	C3A206
VIDEO	J708		nsp	nsp	CORD	SN95/PB5 0.6	C3A206
VIDEO	J709		nsp	nsp	CORD	SN95/PB5 0.6	C3A206
VIDEO	J710		nsp	nsp	CORD	SN95/PB5 0.6	C3A206
VIDEO	J711		nsp	nsp	CORD	SN95/PB5 0.6	C3A206
VIDEO	J712		nsp	nsp	CORD	SN95/PB5 0.6	C3A206
VIDEO	J713		nsp	nsp	CORD	SN95/PB5 0.6	C3A206
VIDEO	J714		nsp	nsp	CORD	SN95/PB5 0.6	C3A206
VIDEO	J715		nsp	nsp	CORD	SN95/PB5 0.6	C3A206
VIDEO	J716		nsp	nsp	CORD	SN95/PB5 0.6	C3A206
VIDEO	J717		nsp	nsp	CORD	SN95/PB5 0.6	C3A206
VIDEO	J718		nsp	nsp	CORD	SN95/PB5 0.6	C3A206
VIDEO	J719		nsp	nsp	CORD	SN95/PB5 0.6	C3A206
VIDEO	J720		nsp	nsp	CORD	SN95/PB5 0.6	C3A206
VIDEO	J721		nsp	nsp	CORD	SN95/PB5 0.6	C3A206
VIDEO	J722		nsp	nsp	CORD	SN95/PB5 0.6	C3A206
VIDEO	J723		nsp	nsp	CORD	SN95/PB5 0.6	C3A206
VIDEO	J724		nsp	nsp	CORD	SN95/PB5 0.6	C3A206
VIDEO	J725		nsp	nsp	CORD	SN95/PB5 0.6	C3A206
VIDEO	J726		nsp	nsp	CORD	SN95/PB5 0.6	C3A206
VIDEO	J727		nsp	nsp	CORD	SN95/PB5 0.6	C3A206
VIDEO	J728		nsp	nsp	CORD	SN95/PB5 0.6	C3A206
VIDEO	J729		nsp	nsp	CORD	SN95/PB5 0.6	C3A206
VIDEO	J730		nsp	nsp	CORD	SN95/PB5 0.6	C3A206
VIDEO	J731		nsp	nsp	CORD	SN95/PB5 0.6	C3A206

NOTE : "nsp" PART IS LISTED FOR REFERENCE ONLY, MARANTZ WILL NOT SUPPLY THESE PARTS

P.W.B. NAME	POS. NO.	VERS. COLOR	PART NO. (FOR EUR)	PART NO. (MZ)	PART NAME	DESCRIPTION	
VIDEO	J732		nsp	nsp	CORD	SN95/PB5 0.6	C3A206
VIDEO	J733		nsp	nsp	CORD	SN95/PB5 0.6	C3A206
VIDEO	J734		nsp	nsp	CORD	SN95/PB5 0.6	C3A206
VIDEO	J735		nsp	nsp	CORD	SN95/PB5 0.6	C3A206
VIDEO	J736		nsp	nsp	CORD	SN95/PB5 0.6	C3A206
VIDEO	J737		nsp	nsp	CORD	SN95/PB5 0.6	C3A206
VIDEO	J738		nsp	nsp	CORD	SN95/PB5 0.6	C3A206
VIDEO	J739		nsp	nsp	CORD	SN95/PB5 0.6	C3A206
VIDEO	J740		nsp	nsp	CORD	SN95/PB5 0.6	C3A206
VIDEO	J741		nsp	nsp	CORD	SN95/PB5 0.6	C3A206
VIDEO	J742		nsp	nsp	CORD	SN95/PB5 0.6	C3A206
VIDEO	J743		nsp	nsp	CORD	SN95/PB5 0.6	C3A206
VIDEO	J744		nsp	nsp	CORD	SN95/PB5 0.6	C3A206
VIDEO	J745		nsp	nsp	CORD	SN95/PB5 0.6	C3A206
VIDEO	J746		nsp	nsp	CORD	SN95/PB5 0.6	C3A206
VIDEO	J747		nsp	nsp	CORD	SN95/PB5 0.6	C3A206
VIDEO	J748		nsp	nsp	CORD	SN95/PB5 0.6	C3A206
VIDEO	J749		nsp	nsp	CORD	SN95/PB5 0.6	C3A206
VIDEO	J750		nsp	nsp	CORD	SN95/PB5 0.6	C3A206
VIDEO	J751		nsp	nsp	CORD	SN95/PB5 0.6	C3A206
VIDEO	J752		nsp	nsp	CORD	SN95/PB5 0.6	C3A206
VIDEO	J753		nsp	nsp	CORD	SN95/PB5 0.6	C3A206
VIDEO	J754		nsp	nsp	CORD	SN95/PB5 0.6	C3A206
VIDEO	J755		nsp	nsp	CORD	SN95/PB5 0.6	C3A206
VIDEO	J756		nsp	nsp	CORD	SN95/PB5 0.6	C3A206
VIDEO	J757		nsp	nsp	CORD	SN95/PB5 0.6	C3A206
VIDEO	J758		nsp	nsp	CORD	SN95/PB5 0.6	C3A206
VIDEO	J759		nsp	nsp	CORD	SN95/PB5 0.6	C3A206
VIDEO	J760		nsp	nsp	CORD	SN95/PB5 0.6	C3A206
VIDEO	J761		nsp	nsp	CORD	SN95/PB5 0.6	C3A206
VIDEO	J762		nsp	nsp	CORD	SN95/PB5 0.6	C3A206
VIDEO	J763		nsp	nsp	CORD	SN95/PB5 0.6	C3A206
VIDEO	J764		nsp	nsp	CORD	SN95/PB5 0.6	C3A206
VIDEO	J765		nsp	nsp	CORD	SN95/PB5 0.6	C3A206
VIDEO	J766		nsp	nsp	CORD	SN95/PB5 0.6	C3A206
VIDEO	J767		nsp	nsp	CORD	SN95/PB5 0.6	C3A206
VIDEO	J768		nsp	nsp	CORD	SN95/PB5 0.6	C3A206
VIDEO	J769		nsp	nsp	CORD	SN95/PB5 0.6	C3A206
VIDEO	J770		nsp	nsp	CORD	SN95/PB5 0.6	C3A206
VIDEO	J771		nsp	nsp	CORD	SN95/PB5 0.6	C3A206
VIDEO	J772		nsp	nsp	CORD	SN95/PB5 0.6	C3A206
VIDEO	J773		nsp	nsp	CORD	SN95/PB5 0.6	C3A206
VIDEO	J774		nsp	nsp	CORD	SN95/PB5 0.6	C3A206
VIDEO	J775		nsp	nsp	CORD	SN95/PB5 0.6	C3A206
VIDEO	J776		nsp	nsp	CORD	SN95/PB5 0.6	C3A206
VIDEO	J777		nsp	nsp	CORD	SN95/PB5 0.6	C3A206
VIDEO	J778		nsp	nsp	CORD	SN95/PB5 0.6	C3A206
VIDEO	J779		nsp	nsp	CORD	SN95/PB5 0.6	C3A206
VIDEO	J780		nsp	nsp	CORD	SN95/PB5 0.6	C3A206
VIDEO	J781		nsp	nsp	CORD	SN95/PB5 0.6	C3A206
VIDEO	J782		nsp	nsp	CORD	SN95/PB5 0.6	C3A206
VIDEO	J783		nsp	nsp	CORD	SN95/PB5 0.6	C3A206
VIDEO	J784		nsp	nsp	CORD	SN95/PB5 0.6	C3A206
VIDEO	J785		nsp	nsp	CORD	SN95/PB5 0.6	C3A206
VIDEO	J786		nsp	nsp	CORD	SN95/PB5 0.6	C3A206
VIDEO	J787		nsp	nsp	CORD	SN95/PB5 0.6	C3A206
VIDEO	J789		nsp	nsp	CORD	SN95/PB5 0.6	C3A206
VIDEO	J790		nsp	nsp	CORD	SN95/PB5 0.6	C3A206
VIDEO	J791		nsp	nsp	CORD	SN95/PB5 0.6	C3A206
VIDEO	J792		nsp	nsp	CORD	SN95/PB5 0.6	C3A206
VIDEO	J793		nsp	nsp	CORD	SN95/PB5 0.6	C3A206
VIDEO	J796		nsp	nsp	CORD	SN95/PB5 0.6	C3A206
VIDEO	J797		nsp	nsp	CORD	SN95/PB5 0.6	C3A206
VIDEO	J799		nsp	nsp	CORD	SN95/PB5 0.6	C3A206
VIDEO	J801		nsp	nsp	CORD	SN95/PB5 0.6	C3A206
VIDEO	J802		nsp	nsp	CORD	SN95/PB5 0.6	C3A206
VIDEO	J803		nsp	nsp	CORD	SN95/PB5 0.6	C3A206

NOTE : *nsp* PART IS LISTED FOR REFERENCE ONLY, MARANTZ WILL NOT SUPPLY THESE PARTS.

P.W.B. NAME	POS. NO.	VERS. COLOR	PART NO. (FOR EUR)	PART NO. (MZ)	PART NAME	DESCRIPTION	
VIDEO	J804		nsp	nsp	CORD	SN95/PB5 0.6	C3A206
VIDEO	J805		nsp	nsp	CORD	SN95/PB5 0.6	C3A206
VIDEO	J806		nsp	nsp	CORD	SN95/PB5 0.6	C3A206
VIDEO	J807		nsp	nsp	CORD	SN95/PB5 0.6	C3A206
VIDEO	J808		nsp	nsp	CORD	SN95/PB5 0.6	C3A206
VIDEO	J809		nsp	nsp	CORD	SN95/PB5 0.6	C3A206
VIDEO	J810		nsp	nsp	CORD	SN95/PB5 0.6	C3A206
VIDEO	J811		nsp	nsp	CORD	SN95/PB5 0.6	C3A206
VIDEO	J812		nsp	nsp	CORD	SN95/PB5 0.6	C3A206
VIDEO	J813		nsp	nsp	CORD	SN95/PB5 0.6	C3A206
VIDEO	J814		nsp	nsp	CORD	SN95/PB5 0.6	C3A206
VIDEO	J815		nsp	nsp	CORD	SN95/PB5 0.6	C3A206
VIDEO	J816		nsp	nsp	CORD	SN95/PB5 0.6	C3A206
VIDEO	J817		nsp	nsp	CORD	SN95/PB5 0.6	C3A206
VIDEO	J818		nsp	nsp	CORD	SN95/PB5 0.6	C3A206
VIDEO	J819		nsp	nsp	CORD	SN95/PB5 0.6	C3A206
VIDEO	J820		nsp	nsp	CORD	SN95/PB5 0.6	C3A206
VIDEO	J821		nsp	nsp	CORD	SN95/PB5 0.6	C3A206
VIDEO	J822		nsp	nsp	CORD	SN95/PB5 0.6	C3A206
VIDEO	J823		nsp	nsp	CORD	SN95/PB5 0.6	C3A206
VIDEO	J824		nsp	nsp	CORD	SN95/PB5 0.6	C3A206
VIDEO	J825		nsp	nsp	CORD	SN95/PB5 0.6	C3A206
VIDEO	J826		nsp	nsp	CORD	SN95/PB5 0.6	C3A206
VIDEO	J827		nsp	nsp	CORD	SN95/PB5 0.6	C3A206
VIDEO	J828		nsp	nsp	CORD	SN95/PB5 0.6	C3A206
VIDEO	J829		nsp	nsp	CORD	SN95/PB5 0.6	C3A206
VIDEO	J830		nsp	nsp	CORD	SN95/PB5 0.6	C3A206
VIDEO	J834		nsp	nsp	CORD	SN95/PB5 0.6	C3A206
VIDEO	J853		nsp	nsp	CORD	SN95/PB5 0.6	C3A206
VIDEO	J874		nsp	nsp	CORD	SN95/PB5 0.6	C3A206
VIDEO	JK71		90M-YT003750R	90M-YT003750R	TERMINAL	YELLOW GOLD	CJJ4S037Z
VIDEO	JK72		90M-YT003750R	90M-YT003750R	TERMINAL	YELLOW GOLD	CJJ4S037Z
VIDEO	JK73		90M-YT003710R	90M-YT003710R	TERMINAL	VIDEO RCA-215AG-02	CJJ4N044Z
VIDEO	JK74		90M-YT003780R	90M-YT003780R	TERMINAL	S-VIDEO (3P/H)	CJJ9S002Z
VIDEO	JK75		90M-YT003770R	90M-YT003770R	TERMINAL	S-VIDEO (2P/H)	CJJ9N005Z
VIDEO	JK76		90M-YT003770R	90M-YT003770R	TERMINAL	S-VIDEO (2P/H)	CJJ9N005Z
VIDEO	L701		nsp	nsp	COIL	33UH LAP02TA330J	HLQ02C330JT
VIDEO	L702		nsp	nsp	COIL	10UH K LAP02TA100K	HLQ02C100KT
VIDEO	Q701		00MHT600111B0	00MHT600111B0	TRS.	KTA1267Y	HVTKTA1267YT
VIDEO	Q702		00MBA10001000	00MBA10001000	TRS.	KRA102M	HVTKRA102MT
VIDEO	Q703		00MHT30001000	00MHT30001000	TRS.	KTC3199Y	HVTKTC3199YT
VIDEO	Q704		00MHT30001000	00MHT30001000	TRS.	KTC3199Y	HVTKTC3199YT
VIDEO	Q705	/N1B	00MBA20004000	00MBA20004000	TRS.	KRC111M	HVTKRC111MT
VIDEO	Q706	/N1B	00MHT805501B0	00MHT805501B0	TRS.	KTC2874B	HVTKTC2874BT
VIDEO	Q707	/N1B	00MBA10001000	00MBA10001000	TRS.	KRA102M	HVTKRA102MT
VIDEO	Q708		00MHT30001000	00MHT30001000	TRS.	KTC3199Y	HVTKTC3199YT
VIDEO	Q710		00MBA20001000	00MBA20001000	TRS.	KRC102M	HVTKRC102MT
VIDEO	Q711		00MHT30001000	00MHT30001000	TRS.	KTC3199Y	HVTKTC3199YT
VIDEO	Q712		00MHT30001000	00MHT30001000	TRS.	KTC3199Y	HVTKTC3199YT
VIDEO	Q713		00MBA10001000	00MBA10001000	TRS.	KRA102M	HVTKRA102MT
VIDEO	R701		nsp	nsp	RES.	75 OHM 1/6W J CARBON	CRD20TJ750T
VIDEO	R702		nsp	nsp	CORD	SN95/PB5 0.6	C3A206
VIDEO	R703		nsp	nsp	RES.	75 OHM 1/6W J CARBON	CRD20TJ750T
VIDEO	R704		nsp	nsp	CORD	SN95/PB5 0.6	C3A206
VIDEO	R705		nsp	nsp	RES.	75 OHM 1/6W J CARBON	CRD20TJ750T
VIDEO	R706		nsp	nsp	CORD	SN95/PB5 0.6	C3A206
VIDEO	R707		nsp	nsp	RES.	75 OHM 1/6W J CARBON	CRD20TJ750T
VIDEO	R708		nsp	nsp	RES.	75 OHM 1/6W J CARBON	CRD20TJ750T
VIDEO	R709		nsp	nsp	CORD	SN95/PB5 0.6	C3A206
VIDEO	R710		nsp	nsp	RES.	75 OHM 1/6W J CARBON	CRD20TJ750T
VIDEO	R711		nsp	nsp	RES.	75 OHM 1/6W J CARBON	CRD20TJ750T
VIDEO	R712		nsp	nsp	RES.	75 OHM 1/6W J CARBON	CRD20TJ750T
VIDEO	R713		nsp	nsp	RES.	75 OHM 1/6W J CARBON	CRD20TJ750T
VIDEO	R714		nsp	nsp	CORD	SN95/PB5 0.6	C3A206
VIDEO	R715		nsp	nsp	RES.	75 OHM 1/6W J CARBON	CRD20TJ750T
VIDEO	R716		nsp	nsp	RES.	75 OHM 1/6W J CARBON	CRD20TJ750T
VIDEO	R717		nsp	nsp	CORD	SN95/PB5 0.6	C3A206

NOTE : "nsp" PART IS LISTED FOR REFERENCE ONLY, MARANTZ WILL NOT SUPPLY THESE PARTS

P.W.B. NAME	POS. NO.	VERS. COLOR	PART NO. (FOR EUR)	PART NO. (MZ)	PART NAME	DESCRIPTION
VIDEO	R718		nsp	nsp	RES.	75 OHM 1/6W J CARBON CRD20TJ750T
VIDEO	R719		nsp	nsp	RES.	75 OHM 1/6W J CARBON CRD20TJ750T
VIDEO	R720		nsp	nsp	CORD	SN95/PB5 0.6 C3A206
VIDEO	R721		nsp	nsp	RES.	75 OHM 1/6W J CARBON CRD20TJ750T
VIDEO	R722		nsp	nsp	RES.	75 OHM 1/6W J CARBON CRD20TJ750T
VIDEO	R723		nsp	nsp	RES.	75 OHM 1/6W J CARBON CRD20TJ750T
VIDEO	R724		nsp	nsp	RES.	75 OHM 1/6W J CARBON CRD20TJ750T
VIDEO	R725		nsp	nsp	CORD	SN95/PB5 0.6 C3A206
VIDEO	R726		nsp	nsp	RES.	75 OHM 1/6W J CARBON CRD20TJ750T
VIDEO	R727		nsp	nsp	RES.	75 OHM 1/6W J CARBON CRD20TJ750T
VIDEO	R728		nsp	nsp	RES.	75 OHM 1/6W J CARBON CRD20TJ750T
VIDEO	R729		nsp	nsp	RES.	75 OHM 1/6W J CARBON CRD20TJ750T
VIDEO	R730		nsp	nsp	RES.	220K OHM 1/6W J CARBON CRD20TJ224T
VIDEO	R731		nsp	nsp	RES.	10 OHM 1/6W J CARBON CRD20TJ100T
VIDEO	R732		nsp	nsp	RES.	220 OHM 1/6W J CARBON CRD20TJ221T
VIDEO	R733		nsp	nsp	RES.	10K OHM 1/6W J CARBON CRD20TJ103T
VIDEO	R734		nsp	nsp	RES.	1M OHM 1/6W J CARBON CRD20TJ105T
VIDEO	R735		nsp	nsp	RES.	1M OHM 1/6W J CARBON CRD20TJ105T
VIDEO	R736		nsp	nsp	RES.	100K OHM 1/6W J CARBON CRD20TJ104T
VIDEO	R737		nsp	nsp	RES.	1M OHM 1/6W J CARBON CRD20TJ105T
VIDEO	R738		nsp	nsp	RES.	10K OHM 1/6W J CARBON CRD20TJ103T
VIDEO	R739		nsp	nsp	RES.	15K OHM 1/6W J CARBON CRD20TJ153T
VIDEO	R740		nsp	nsp	RES.	470 OHM 1/6W J CARBON CRD20TJ471T
VIDEO	R741		nsp	nsp	RES.	75 OHM 1/6W J CARBON CRD20TJ750T
VIDEO	R742		nsp	nsp	RES.	75 OHM 1/6W J CARBON CRD20TJ750T
VIDEO	R743		nsp	nsp	RES.	75 OHM 1/6W J CARBON CRD20TJ750T
VIDEO	R744		nsp	nsp	RES.	220 OHM 1/6W J CARBON CRD20TJ221T
VIDEO	R745		nsp	nsp	CORD	SN95/PB5 0.6 C3A206
VIDEO	R746		nsp	nsp	RES.	1M OHM 1/6W J CARBON CRD20TJ105T
VIDEO	R747	/U1B	nsp	nsp	CORD	SN95/PB5 0.6 C3A206
VIDEO	R750		nsp	nsp	RES.	10K OHM 1/6W J CARBON CRD20TJ103T
VIDEO	R752		nsp	nsp	RES.	75 OHM 1/6W J CARBON CRD20TJ750T
VIDEO	R753		nsp	nsp	RES.	220 OHM 1/6W J CARBON CRD20TJ221T
VIDEO	R756		nsp	nsp	CORD	SN95/PB5 0.6 C3A206
VIDEO	R758		nsp	nsp	RES.	4.7K OHM 1/6W J CARBON CRD20TJ472T
VIDEO	R759		nsp	nsp	RES.	3.3K OHM 1/6W J CARBON CRD20TJ332T
VIDEO	R761		nsp	nsp	RES.	100K OHM 1/6W J CARBON CRD20TJ104T
VIDEO	R762		nsp	nsp	RES.	1M OHM 1/6W J CARBON CRD20TJ105T
VIDEO	R763		nsp	nsp	RES.	3.3K OHM 1/6W J CARBON CRD20TJ332T
VIDEO	R764		nsp	nsp	RES.	3.3K OHM 1/6W J CARBON CRD20TJ332T
VIDEO	R765		nsp	nsp	RES.	1M OHM 1/6W J CARBON CRD20TJ105T
VIDEO	R766		nsp	nsp	RES.	1M OHM 1/6W J CARBON CRD20TJ105T
VIDEO	R767		nsp	nsp	RES.	1M OHM 1/6W J CARBON CRD20TJ105T
VIDEO	R768		nsp	nsp	RES.	4.7K OHM 1/6W J CARBON CRD20TJ472T
VIDEO	R769		nsp	nsp	RES.	1K OHM 1/6W J CARBON CRD20TJ102T
VIDEO	R770		nsp	nsp	RES.	10K OHM 1/6W J CARBON CRD20TJ103T
VIDEO	R771		nsp	nsp	RES.	56 OHM 1/6W J CARBON CRD20TJ560T
VIDEO	R772		nsp	nsp	RES.	1K OHM 1/6W J CARBON CRD20TJ102T
VIDEO	R773		nsp	nsp	RES.	10K OHM 1/6W J CARBON CRD20TJ103T
VIDEO	R774		nsp	nsp	RES.	1K OHM 1/6W J CARBON CRD20TJ102T
VIDEO	R775		nsp	nsp	CORD	SN95/PB5 0.6 C3A206
VIDEO	R776		nsp	nsp	RES.	1M OHM 1/6W J CARBON CRD20TJ105T
VIDEO	R777		nsp	nsp	RES.	1M OHM 1/6W J CARBON CRD20TJ105T
VIDEO	R778		nsp	nsp	RES.	1M OHM 1/6W J CARBON CRD20TJ105T
VIDEO	R781		nsp	nsp	RES.	10K OHM 1/6W J CARBON CRD20TJ103T
VIDEO	R782		nsp	nsp	RES.	100 OHM 1/6W J CARBON CRD20TJ101T
VIDEO	R783		nsp	nsp	RES.	10K OHM 1/6W J CARBON CRD20TJ103T
VIDEO	R786		nsp	nsp	RES.	1M OHM 1/6W J CARBON CRD20TJ105T
VIDEO	R787		nsp	nsp	RES.	1M OHM 1/6W J CARBON CRD20TJ105T
VIDEO	R788		nsp	nsp	RES.	1M OHM 1/6W J CARBON CRD20TJ105T
VIDEO	R789		nsp	nsp	RES.	75 OHM 1/6W J CARBON CRD20TJ750T
VIDEO	R790		nsp	nsp	RES.	75 OHM 1/6W J CARBON CRD20TJ750T
VIDEO	R791		nsp	nsp	RES.	100 OHM 1/6W J CARBON CRD20TJ101T
VIDEO	R792		nsp	nsp	RES.	10K OHM 1/6W J CARBON CRD20TJ103T
VIDEO	R793		nsp	nsp	RES.	75 OHM 1/6W J CARBON CRD20TJ750T
VIDEO	R794		nsp	nsp	RES.	75 OHM 1/6W J CARBON CRD20TJ750T
VIDEO	R795		nsp	nsp	RES.	3.3K OHM 1/6W J CARBON CRD20TJ332T

NOTE : *nsp* PART IS LISTED FOR REFERENCE ONLY, MARANTZ WILL NOT SUPPLY THESE PARTS.

P.W.B. NAME	POS. NO.	VERS. COLOR	PART NO. (FOR EUR)	PART NO. (MZ)	PART NAME	DESCRIPTION
VIDEO	R796		nsp	nsp	RES.	10K OHM 1/6W J CARBON CRD20TJ103T
VIDEO	R797		nsp	nsp	RES.	100 OHM 1/6W J CARBON CRD20TJ101T
VIDEO	R799	/N1B	nsp	nsp	RES.	10K OHM 1/6W J CARBON CRD20TJ103T
VIDEO	R801		nsp	nsp	RES.	75 OHM 1/6W J CARBON CRD20TJ750T
VIDEO	R802		nsp	nsp	RES.	75 OHM 1/6W J CARBON CRD20TJ750T
VIDEO	R803		nsp	nsp	RES.	75 OHM 1/6W J CARBON CRD20TJ750T
VIDEO	R804		nsp	nsp	RES.	100 OHM 1/6W J CARBON CRD20TJ101T
VIDEO	R805		nsp	nsp	RES.	100 OHM 1/6W J CARBON CRD20TJ101T
VIDEO	R806		nsp	nsp	RES.	100 OHM 1/6W J CARBON CRD20TJ101T
VIDEO	R807		nsp	nsp	RES.	100 OHM 1/6W J CARBON CRD20TJ101T
VIDEO	R808		nsp	nsp	RES.	100 OHM 1/6W J CARBON CRD20TJ101T
VIDEO	R809		nsp	nsp	RES.	100 OHM 1/6W J CARBON CRD20TJ101T
VIDEO	R810		nsp	nsp	RES.	100 OHM 1/6W J CARBON CRD20TJ101T
VIDEO	R811		nsp	nsp	RES.	100 OHM 1/6W J CARBON CRD20TJ101T
VIDEO	R821		nsp	nsp	RES.	10K OHM 1/6W J CARBON CRD20TJ103T
VIDEO	RJ10		nsp	nsp	CORD	SN95/PB5 0.6 C3A206
VIDEO	X701		90M-JX001080R	90M-JX001080R	X'TAL	14.318MHZ HOX14318D220F
VIDEO	X702	/N1B	90M-JX001090R	90M-JX001090R	X'TAL	17.318MHZ HOX17744D220F
VOLUME ENCODER PWB (CUP12076Z)						
VOL ENC	C814		nsp	nsp	CER. CAP.	10000PF/25V CCBS1E103ZFT
VOL ENC	C815		nsp	nsp	CER. CAP.	10000PF/25V CCBS1E103ZFT
VOL ENC	C840		nsp	nsp	CER. CAP.	0.1UF 50V Z CCBS1H104ZFT
VOL ENC	CN30		nsp	nsp	CONN.	5P WAFER 20017WR-05 CJP05GB46ZY
VOL ENC	EN81		943663001560S	943663001560S	ROTARY SW	EC16B24T01D4ZZZ CSR2A047Z
VOL ENC	JW84		nsp	nsp	CORD	WIRE(1P) CWEB102080RV
VOL ENC	R806		nsp	nsp	RES.	10K OHM 1/6W J CARBON CRD20TJ103T
VOL ENC	R807		nsp	nsp	RES.	10K OHM 1/6W J CARBON CRD20TJ103T
VOL ENC	R808		nsp	nsp	RES.	10K OHM 1/6W J CARBON CRD20TJ103T
VOL ENC	R809		nsp	nsp	RES.	10K OHM 1/6W J CARBON CRD20TJ103T
XM PWB (CUP12010Z)						
XM	C501	/U1B	nsp	00MOA47602520	ELECT CAP.	47UF 25V CCEA1EH470T
XM	C502	/U1B	nsp	00MDK96104300	CER. CAP.	0.1UF 50V K CCUS1H104KC
XM	C503	/U1B	nsp	00MDK96104300	CER. CAP.	0.1UF 50V K CCUS1H104KC
XM	C504	/U1B	nsp	00MDK96104300	CER. CAP.	0.1UF 50V K CCUS1H104KC
XM	C505	/U1B	nsp	00MDK96104300	CER. CAP.	0.1UF 50V K CCUS1H104KC
XM	C506	/U1B	nsp	00MDK96104300	CER. CAP.	0.1UF 50V K CCUS1H104KC
XM	C507	/U1B	nsp	00MDK96104300	CER. CAP.	0.1UF 50V K CCUS1H104KC
XM	C508	/U1B	nsp	00MDK96104300	CER. CAP.	0.1UF 50V K CCUS1H104KC
XM	C509	/U1B	nsp	00MDK96104300	CER. CAP.	0.1UF 50V K CCUS1H104KC
XM	C510	/U1B	nsp	00MDK96104300	CER. CAP.	0.1UF 50V K CCUS1H104KC
XM	C511	/U1B	nsp	00MDK96104300	CER. CAP.	0.1UF 50V K CCUS1H104KC
XM	C514	/U1B	nsp	00MDK96102300	CER. CAP.	1000PF 50V KC CCUS1H102KC
XM	C515	/U1B	nsp	00MDK96104300	CER. CAP.	0.1UF 50V K CCUS1H104KC
XM	C517	/U1B	nsp	00MDK96104300	CER. CAP.	0.1UF 50V K CCUS1H104KC
XM	C518	/U1B	nsp	00MDK96104300	CER. CAP.	0.1UF 50V K CCUS1H104KC
XM	C519	/U1B	nsp	00MDK96102300	CER. CAP.	1000PF 50V KC CCUS1H102KC
XM	C520	/U1B	nsp	00MDK96102300	CER. CAP.	1000PF 50V KC CCUS1H102KC
XM	C521	/U1B	nsp	00MDK96102300	CER. CAP.	1000PF 50V KC CCUS1H102KC
XM	C522	/U1B	nsp	00MDK96102300	CER. CAP.	1000PF 50V KC CCUS1H102KC
XM	C523	/U1B	nsp	00MDD95220300	CER. CAP.	22PF 50V JA CCUS1H220JA
XM	C524	/U1B	nsp	00MDD95220300	CER. CAP.	22PF 50V JA CCUS1H220JA
XM	C601	/U1B	nsp	00MDK96102300	CER. CAP.	1000PF 50V KC CCUS1H102KC
XM	C602	/U1B	nsp	00MDK96104300	CER. CAP.	0.1UF 50V K CCUS1H104KC
XM	C603	/U1B	nsp	00MOA10605020	ELECT CAP.	10UF 50V CCEA1HH100T
XM	C604	/U1B	nsp	00MDK96104300	CER. CAP.	0.1UF 50V K CCUS1H104KC
XM	C605	/U1B	nsp	00MOA10505020	ELECT CAP.	1UF 50V CCEA1HH1ROT
XM	C606	/U1B	nsp	00MDK96104300	CER. CAP.	0.1UF 50V K CCUS1H104KC
XM	C607	/U1B	nsp	00MOA47602520	ELECT CAP.	47UF 25V CCEA1EH470T
XM	C611	/U1B	nsp	00MOA10605020	ELECT CAP.	10UF 50V CCEA1HH100T
XM	C612	/U1B	nsp	00MOA10605020	ELECT CAP.	10UF 50V CCEA1HH100T
XM	C613	/U1B	nsp	00MOA10605020	ELECT CAP.	10UF 50V CCEA1HH100T
XM	C614	/U1B	nsp	00MOA10605020	ELECT CAP.	10UF 50V CCEA1HH100T
XM	C615	/U1B	nsp	00MDK96122300	CER. CAP.	1200PF 50V KC CCUS1H122KC
XM	C616	/U1B	nsp	00MDK96122300	CER. CAP.	1200PF 50V KC CCUS1H122KC
XM	C617	/U1B	nsp	00MDK96122300	CER. CAP.	1200PF 50V KC CCUS1H122KC
XM	C618	/U1B	nsp	00MDK96122300	CER. CAP.	1200PF 50V KC CCUS1H122KC
XM	C619	/U1B	nsp	00MDD95331300	CER. CAP.	330PF 50V JA CCUS1H331JA

NOTE : "nsp" PART IS LISTED FOR REFERENCE ONLY, MARANTZ WILL NOT SUPPLY THESE PARTS

P.W.B. NAME	POS. NO.	VERS. COLOR	PART NO. (FOR EUR)	PART NO. (MZ)	PART NAME	DESCRIPTION
XM	C620	/U1B	nsp	00MDD95331300	CER. CAP.	330PF 50V JA CCUS1H331JA
XM	C621	/U1B	nsp	00MDD95331300	CER. CAP.	330PF 50V JA CCUS1H331JA
XM	C622	/U1B	nsp	00MDD95331300	CER. CAP.	330PF 50V JA CCUS1H331JA
XM	C623	/U1B	nsp	00MOA10605020	ELECT CAP.	10UF 50V CCEA1HH100T
XM	C624	/U1B	nsp	00MOA10605020	ELECT CAP.	10UF 50V CCEA1HH100T
XM	C631	/U1B	nsp	00MDK96104300	CER. CAP.	0.1UF 50V K CCUS1H104KC
XM	C632	/U1B	nsp	00MDK96104300	CER. CAP.	0.1UF 50V K CCUS1H104KC
XM	C633	/U1B	nsp	00MOA10605020	ELECT CAP.	10UF 50V CCEA1HH100T
XM	C634	/U1B	nsp	00MOA10605020	ELECT CAP.	10UF 50V CCEA1HH100T
XM	C801	/U1B	nsp	00MOA10701620	ELECT CAP.	100UF 16V CCEA1CH101T
XM	C803	/U1B	nsp	00MOA10701620	ELECT CAP.	100UF 16V CCEA1CH101T
XM	C811	/U1B	nsp	00MOA10701620	ELECT CAP.	100UF 16V CCEA1CH101T
XM	C812	/U1B	nsp	00MOA10701620	ELECT CAP.	100UF 16V CCEA1CH101T
XM	C813	/U1B	nsp	00MOA10605020	ELECT CAP.	10UF 50V CCEA1HH100T
XM	D611	/U1B	nsp	00MHZ21303210	DIODE	1SS355 CVD1SS355T
XM	D612	/U1B	nsp	00MHZ21303210	DIODE	1SS355 CVD1SS355T
XM	D615	/U1B	nsp	00MHZ21303210	DIODE	1SS355 CVD1SS355T
XM	D616	/U1B	nsp	00MHZ21303210	DIODE	1SS355 CVD1SS355T
XM	F801	/U1B	nsp	90M-FC900340R	FERRITE CORE	HU-1H4516-600JT HLZ92014Z
XM	F802	/U1B	nsp	90M-FC900340R	FERRITE CORE	HU-1H4516-600JT HLZ92014Z
XM	F803	/U1B	nsp	90M-FC900460R	EMI FILTER	CHIP BEAD NFM21PC474R1C3 CLZ9R007Z
XM	F811	/U1B	nsp	90M-FC900460R	EMI FILTER	CHIP BEAD NFM21PC474R1C3 CLZ9R007Z
XM	IC51	/U1B	nsp	90M-HC110100R	IC	IC XM V3B XMDTREV3B CVIXMDTIC
XM	IC61	/U1B	nsp	00MHC10025880	IC	CS4392KZZ HVICSA4392KZZ
XM	IC62	/U1B	nsp	00MHC10102090	IC	NJM2068MD-TE1 HVINJM2068MDTE1
XM	J501	/U1B	nsp	00D2051362009	TERMINAL	XM JACK CAM-D96 CAM D96 R41 402 CJJ9L006Z
XM	J502	/U1B	nsp	nsp	BRACKET	BRACKET FOR PWB CMD1A569
XM	J503	/U1B	nsp	nsp	BRACKET	BRACKET FOR PWB CMD1A569
XM	J511	/U1B	nsp	nsp	CONN.	15P WAFER FFC 12511HS-15 CJP15GA115ZY
XM	J801	/U1B	nsp	nsp	CONN.	2PIN CJP02GA19ZY CJP02GA19ZY
XM	L501	/U1B	nsp	00MFN21000080	EMI FILTER	DLW21HN121SQ2L CLZ9R008Z
XM	Q613	/U1B	nsp	90M-HT300970R	TRS.	KTC2875B HVTKTC2875B
XM	Q614	/U1B	nsp	90M-HT300970R	TRS.	KTC2875B HVTKTC2875B
XM	Q615	/U1B	nsp	90M-HT300970R	TRS.	KTC2875B HVTKTC2875B
XM	Q616	/U1B	nsp	90M-HT300970R	TRS.	KTC2875B HVTKTC2875B
XM	Q617	/U1B	nsp	90M-BA001620R	CHIP TRS.	KRC103S CVTKRC103S
XM	Q618	/U1B	nsp	90M-BA001620R	CHIP TRS.	KRC103S CVTKRC103S
XM	Q619	/U1B	nsp	90M-BA001630R	CHIP TRS.	KRA103S HVTKRA103S
XM	Q620	/U1B	nsp	90M-BA001630R	CHIP TRS.	KRA103S HVTKRA103S
XM	Q801	/U1B	nsp	00MHC98520320	IC	PQ20VZ51 CVIPQ20VZ51
XM	Q811	/U1B	nsp	90M-HC300940R	IC	LM1117-ADJ HVILM1117S-ADJ
XM	R501	/U1B	nsp	00MNN05104610	CHIP RES.	100K OHM 1/10W J CRJ10DJ104T
XM	R502	/U1B	nsp	00MNN05104610	CHIP RES.	100K OHM 1/10W J CRJ10DJ104T
XM	R503	/U1B	nsp	00MNN05104610	CHIP RES.	100K OHM 1/10W J CRJ10DJ104T
XM	R504	/U1B	nsp	00MNN05104610	CHIP RES.	100K OHM 1/10W J CRJ10DJ104T
XM	R505	/U1B	nsp	00MNN05223610	CHIP RES.	22K OHM 1/10W J CRJ10DJ223T
XM	R506	/U1B	nsp	00MNN05102610	CHIP RES.	1K OHM 1/10W J CRJ10DJ102T
XM	R507	/U1B	nsp	00MNN05102610	CHIP RES.	1K OHM 1/10W J CRJ10DJ102T
XM	R508	/U1B	nsp	00MNN05101610	CHIP RES.	100 OHM 1/10W J CRJ10DJ101T
XM	R509	/U1B	nsp	00MNN05101610	CHIP RES.	100 OHM 1/10W J CRJ10DJ101T
XM	R512	/U1B	nsp	00MNN05100610	CHIP RES.	10 OHM 1/10W J CRJ10DJ100T
XM	R513	/U1B	nsp	00MNN05101610	CHIP RES.	100 OHM 1/10W J CRJ10DJ101T
XM	R514	/U1B	nsp	00MNN05223610	CHIP RES.	22K OHM 1/10W J CRJ10DJ223T
XM	R515	/U1B	nsp	00MNN05223610	CHIP RES.	22K OHM 1/10W J CRJ10DJ223T
XM	R516	/U1B	nsp	00MNN05223610	CHIP RES.	22K OHM 1/10W J CRJ10DJ223T
XM	R517	/U1B	nsp	00MNN05220610	CHIP RES.	22 OHM 1/10W J CRJ10DJ220T
XM	R518	/U1B	nsp	00MNN05220610	CHIP RES.	22 OHM 1/10W J CRJ10DJ220T
XM	R519	/U1B	nsp	00MNN05220610	CHIP RES.	22 OHM 1/10W J CRJ10DJ220T
XM	R520	/U1B	nsp	00MNN05220610	CHIP RES.	22 OHM 1/10W J CRJ10DJ220T
XM	R521	/U1B	nsp	00MNN05223610	CHIP RES.	22K OHM 1/10W J CRJ10DJ223T
XM	R522	/U1B	nsp	00MNN05223610	CHIP RES.	22K OHM 1/10W J CRJ10DJ223T
XM	R523	/U1B	nsp	00MNN05223610	CHIP RES.	22K OHM 1/10W J CRJ10DJ223T
XM	R524	/U1B	nsp	00MNN05101610	CHIP RES.	100 OHM 1/10W J CRJ10DJ101T
XM	R525	/U1B	nsp	00MNN05101610	CHIP RES.	100 OHM 1/10W J CRJ10DJ101T
XM	R526	/U1B	nsp	00MNN05101610	CHIP RES.	100 OHM 1/10W J CRJ10DJ101T
XM	R527	/U1B	nsp	00MNN05101610	CHIP RES.	100 OHM 1/10W J CRJ10DJ101T
XM	R528	/U1B	nsp	00MNN05223610	CHIP RES.	22K OHM 1/10W J CRJ10DJ223T

NOTE : *nsp* PART IS LISTED FOR REFERENCE ONLY, MARANTZ WILL NOT SUPPLY THESE PARTS.

P.W.B. NAME	POS. NO.	VERS. COLOR	PART NO. (FOR EUR)	PART NO. (MZ)	PART NAME	DESCRIPTION	
XM	R529	/U1B	nsp	00MNN05223610	CHIP RES.	22K OHM 1/10W J	CRJ10DJ223T
XM	R530	/U1B	nsp	00MNN05223610	CHIP RES.	22K OHM 1/10W J	CRJ10DJ223T
XM	R601	/U1B	nsp	00MNN05101610	CHIP RES.	100 OHM 1/10W J	CRJ10DJ101T
XM	R602	/U1B	nsp	00MNN05101610	CHIP RES.	100 OHM 1/10W J	CRJ10DJ101T
XM	R603	/U1B	nsp	00MNN05000610	CHIP RES.	0 OHM 1/10W J	CRJ10DJ0R0T
XM	R605	/U1B	nsp	00MNN05103610	CHIP RES.	10K OHM 1/10W J	CRJ10DJ103T
XM	R606	/U1B	nsp	00MNN05223610	CHIP RES.	22K OHM 1/10W J	CRJ10DJ223T
XM	R607	/U1B	nsp	00MNN05223610	CHIP RES.	22K OHM 1/10W J	CRJ10DJ223T
XM	R608	/U1B	nsp	00MNN05000610	CHIP RES.	0 OHM 1/10W J	CRJ10DJ0R0T
XM	R610	/U1B	nsp	00MNN05223610	CHIP RES.	22K OHM 1/10W J	CRJ10DJ223T
XM	R611	/U1B	nsp	00MNN05822610	CHIP RES.	8.2K OHM 1/10W J	CRJ10DJ822T
XM	R612	/U1B	nsp	00MNN05822610	CHIP RES.	8.2K OHM 1/10W J	CRJ10DJ822T
XM	R613	/U1B	nsp	00MNN05822610	CHIP RES.	8.2K OHM 1/10W J	CRJ10DJ822T
XM	R614	/U1B	nsp	00MNN05822610	CHIP RES.	8.2K OHM 1/10W J	CRJ10DJ822T
XM	R615	/U1B	nsp	00MNN05332610	CHIP RES.	3.3K OHM 1/10W J	CRJ10DJ332T
XM	R616	/U1B	nsp	00MNN05332610	CHIP RES.	3.3K OHM 1/10W J	CRJ10DJ332T
XM	R617	/U1B	nsp	00MNN05332610	CHIP RES.	3.3K OHM 1/10W J	CRJ10DJ332T
XM	R618	/U1B	nsp	00MNN05332610	CHIP RES.	3.3K OHM 1/10W J	CRJ10DJ332T
XM	R619	/U1B	nsp	00MNN05822610	CHIP RES.	8.2K OHM 1/10W J	CRJ10DJ822T
XM	R620	/U1B	nsp	00MNN05822610	CHIP RES.	8.2K OHM 1/10W J	CRJ10DJ822T
XM	R621	/U1B	nsp	00MNN05822610	CHIP RES.	8.2K OHM 1/10W J	CRJ10DJ822T
XM	R622	/U1B	nsp	00MNN05822610	CHIP RES.	8.2K OHM 1/10W J	CRJ10DJ822T
XM	R623	/U1B	nsp	00MNN05101610	CHIP RES.	100 OHM 1/10W J	CRJ10DJ101T
XM	R624	/U1B	nsp	00MNN05101610	CHIP RES.	100 OHM 1/10W J	CRJ10DJ101T
XM	R625	/U1B	nsp	00MNN05473610	CHIP RES.	47K OHM 1/10W J	CRJ10DJ473T
XM	R626	/U1B	nsp	00MNN05473610	CHIP RES.	47K OHM 1/10W J	CRJ10DJ473T
XM	R627	/U1B	nsp	00MNN05221610	CHIP RES.	220 OHM 1/10W J	CRJ10DJ221T
XM	R628	/U1B	nsp	00MNN05221610	CHIP RES.	220 OHM 1/10W J	CRJ10DJ221T
XM	R629	/U1B	nsp	00MNN05221610	CHIP RES.	220 OHM 1/10W J	CRJ10DJ221T
XM	R630	/U1B	nsp	00MNN05221610	CHIP RES.	220 OHM 1/10W J	CRJ10DJ221T
XM	R631	/U1B	nsp	00MNN05222610	CHIP RES.	2.2K OHM 1/10W J	CRJ10DJ222T
XM	R632	/U1B	nsp	00MNN05222610	CHIP RES.	2.2K OHM 1/10W J	CRJ10DJ222T
XM	R633	/U1B	nsp	00MNN05222610	CHIP RES.	2.2K OHM 1/10W J	CRJ10DJ222T
XM	R634	/U1B	nsp	00MNN05222610	CHIP RES.	2.2K OHM 1/10W J	CRJ10DJ222T
XM	R635	/U1B	nsp	00MNN05474610	CHIP RES.	470K OHM 1/10W J	CRJ10DJ474T
XM	R636	/U1B	nsp	00MNN05474610	CHIP RES.	470K OHM 1/10W J	CRJ10DJ474T
XM	R801	/U1B	nsp	00MNM13901020	CHIP RES.	3.9KOHM/1608/1%	CRJ10DF3901T
XM	R802	/U1B	nsp	00MNM11201020	CHIP RES.	1.2KOHM/1608/1%	CRJ10DF1201T
XM	R803	/U1B	nsp	00MNM1180G020	CHIP RES.	18OHM/1608/1%	CRJ10DF180R0T
XM	R804	/U1B	nsp	00MNN05103610	CHIP RES.	10K OHM 1/10W J	CRJ10DJ103T
XM	R811	/U1B	nsp	00MNM12200020	CHIP RES.	220 OHM 1%	CRJ10DF2200T
XM	R812	/U1B	nsp	00MNM11800020	CHIP RES.	180 OHM 1%	CRJ10DF1800T
XM	R813	/U1B	nsp	00MNM11800020	CHIP RES.	180 OHM 1%	CRJ10DF1800T
XM	X501	/U1B	nsp	00D2623516908	X'TAL	45.1584 MHZ	COX451581SCR

NOTE : "nsp" PART IS LISTED FOR REFERENCE ONLY, MARANTZ WILL NOT SUPPLY THESE PARTS

14. ABOUT REPLACE THE MICROPROCESSOR WITH A NEW ONE

When replaced of the U-PRO (Microprocessor) or the Flash ROM, confirm contents of the following.

PWB Name	Pos. No.	Description	After replaced	Remark
DSP	IC17	M3087BFKBGP MAIN AV8003	B	
DSP	IC34	ES29LV320ET70TG DSP AV8003	B	
HD RADIO	IC91	R5F21246SNFP HD RADIO SR8002	B	
HDMI	IC81	HD64F36049HV HDMI AV8003	B	
STBY	IC51	R5F21246SNFP DMP AV8003	B	

After replaced

- A** : Mask ROM (With software). No need write-in of software to the microprocessor.
- B** : Flash ROM (With software). Usually, no need write-in of software. But, when the software was updated, you should be write-in of the new software to the microprocessor or flash ROM. Please check the software version.
- C** : Empty Flash ROM (Without software). You should be write-in of the software to the microprocessor or flash ROM. Refer to "Update procedure" or "writing procedure", when you should be write-in the software.

マイコン等を交換した場合の対応について

U-PRO(マイコン)およびFlash ROM等を交換した場合の対応方法を下記の記載します。

PWB Name	Pos. No.	Description	交換時の対応	備考
DSP	IC17	M3087BFKBGP MAIN AV8003	B	
DSP	IC34	ES29LV320ET70TG DSP AV8003	B	
HD RADIO	IC91	R5F21246SNFP HD RADIO SR8002	B	
HDMI	IC81	HD64F36049HV HDMI AV8003	B	
STBY	IC51	R5F21246SNFP DMP AV8003	B	

交換時の対応

- A** : Mask ROM (ソフトウェア書き込み済み) 交換時にソフトウェアの書き込みは必要ありません。
- B** : Flash ROM (ソフトウェア書き込み済み) バージョンアップにより交換時にソフトウェアの書き換えが必要な場合があります。バージョンの確認をしてください。
- C** : 空ROM (Flash ROM) 交換時必ずソフトウェアの書き込みが必要になります。Update、書き込み方法を参照してください。